



US00D973220S

(12) **United States Design Patent** (10) **Patent No.:** **US D973,220 S**  
**Katz et al.** (45) **Date of Patent:** **\*\* Dec. 20, 2022**

(54) **VIBRATING FITNESS ROLLER**  
(71) Applicant: **Hyper Ice, Inc.**, Irvine, CA (US)  
(72) Inventors: **Anthony Katz**, Laguna Niguel, CA (US); **Bostjan Buc**, Mislinja (SI); **Jure Miklavc**, Skofja Loka (SI); **Andrej Senk**, Preddvor (SI)  
(73) Assignee: **Hyper Ice, Inc.**, Irvine, CA (US)  
(\*\*) Term: **15 Years**  
(21) Appl. No.: **29/771,685**  
(22) Filed: **Feb. 24, 2021**  
(51) **LOC (13) Cl.** ..... **21-02**  
(52) **U.S. Cl.**  
USPC ..... **D24/211**  
(58) **Field of Classification Search**  
USPC ..... D24/200, 211, 212, 213, 214, 215, 188, D24/141, 190, 231, 106, 171; D30/160; D1/125-127; D21/680, 798, 792, 662, D21/804, 686, 671, 691, 682, 694, 687, D21/654, 487, 679, 684, 688, 412, 685, D21/400, 791, 725, 386; D7/624.2; D8/303  
CPC ..... A61H 7/001; A61H 7/007; A61H 7/00; A61H 15/0092; A61H 2015/0014; A61H 2201/0207; A61H 15/00; A61H 2205/081; A61H 23/0263; A61H 2201/1284; A61H 2201/0161; A61H 2015/0028; A61H 2201/1695  
See application file for complete search history.

D324,634 S 3/1992 Chen  
5,123,406 A 6/1992 Masuda  
D369,361 S 4/1996 Satake  
5,554,102 A 9/1996 Chiou  
(Continued)

**FOREIGN PATENT DOCUMENTS**

DE 9200901 U1 7/1992  
DE 102006058876 A1 10/2007  
(Continued)

**OTHER PUBLICATIONS**

“Vyper 3” Dec. 8, 2021, Amazon, site visited May 31, 2022: <https://amzn.to/3GDauzl> (Year: 2021).\*  
(Continued)

*Primary Examiner* — Jack Reickel  
*Assistant Examiner* — Salamah Jordan  
(74) *Attorney, Agent, or Firm* — Patterson Intellectual Property Law, P.C.; Jerry Turner Sewell

(57) **CLAIM**

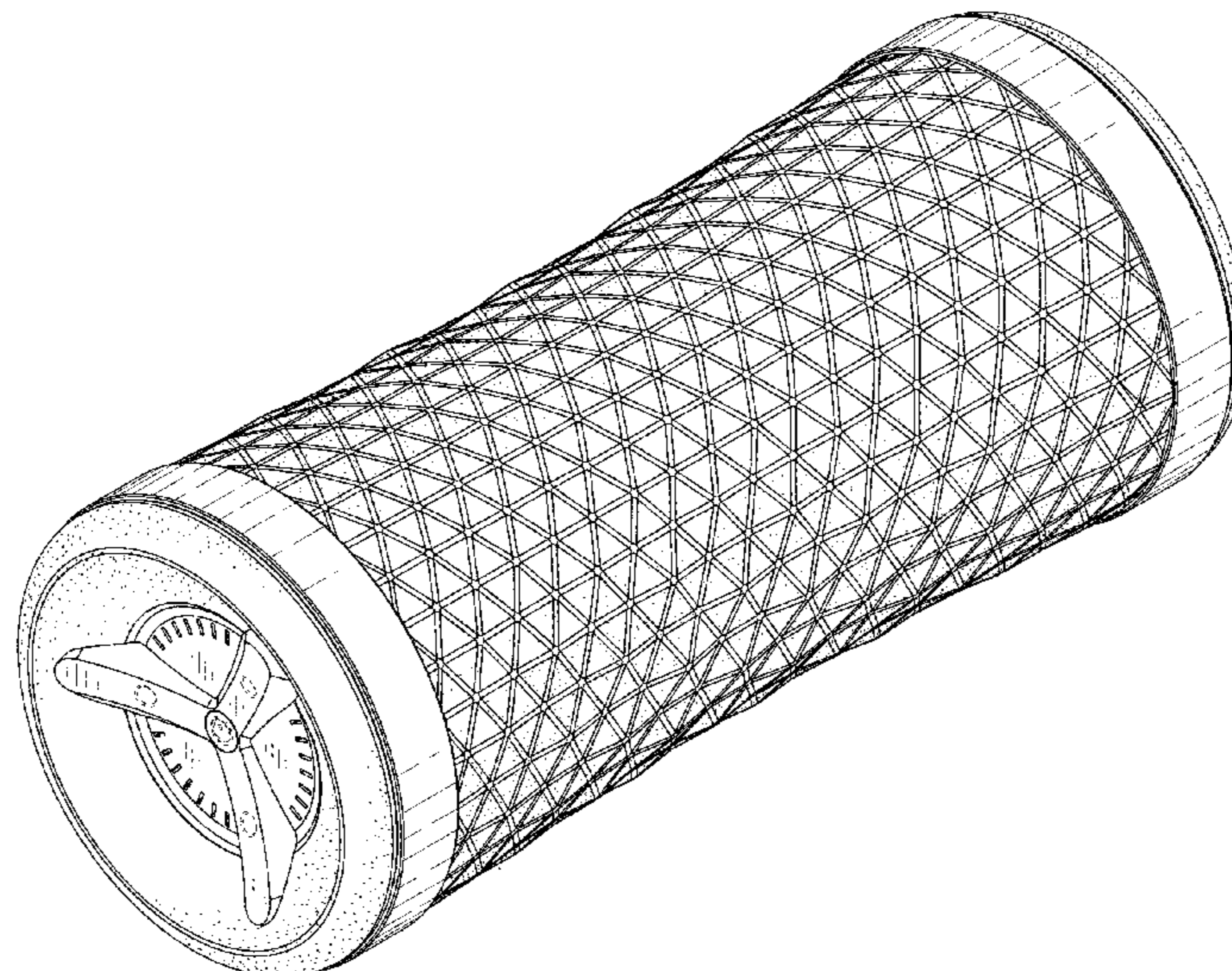
The ornamental design for a vibrating fitness roller, as shown and described.

**DESCRIPTION**

FIG. 1 is a front perspective view of a vibrating fitness roller of the present design;  
FIG. 2 is a rear perspective view thereof;  
FIG. 3 is a top view thereof, the bottom view being a mirror image thereof;  
FIG. 4 is a left side view thereof, the bottom view being a mirror image thereof;  
FIG. 5 is a front view thereof; and,  
FIG. 6 is a rear view thereof.  
The broken lines in the drawings are for the purposes of illustrating portions of the vibrating fitness roller, which form no part of the claimed design.

**1 Claim, 5 Drawing Sheets**

(56) **References Cited**  
**U.S. PATENT DOCUMENTS**  
2,428,953 A 10/1947 Adams  
D166,659 S 5/1952 Colotti  
2,675,800 A 4/1954 Voorhees et al.  
D299,974 S 2/1989 Schmitt  
4,954,939 A 9/1990 Hutchins



(56)

References Cited

U.S. PATENT DOCUMENTS

5,736,089 A 4/1998 Stefani  
 6,694,550 B2 2/2004 Lee  
 D546,402 S \* 7/2007 Sonnier ..... D21/694  
 D555,742 S 11/2007 Lai  
 D616,950 S 6/2010 Hersee et al.  
 D637,244 S \* 5/2011 Davis ..... D21/662  
 8,002,682 B2 8/2011 Dye  
 D647,980 S \* 11/2011 Davis ..... D21/662  
 D713,050 S 9/2014 Kao  
 9,132,055 B1 9/2015 Wallace  
 D740,337 S 10/2015 McCoy  
 D755,304 S \* 5/2016 Ackerman ..... D21/698  
 9,422,718 B2 8/2016 Ejsani  
 D786,652 S 5/2017 Lira-Nunez  
 9,668,933 B1 \* 6/2017 Johnson ..... A61H 15/00  
 D797,951 S 9/2017 Miklavc  
 9,763,850 B2 \* 9/2017 Cheng ..... A61H 15/00  
 D805,649 S \* 12/2017 Mizelle ..... D24/211  
 D809,612 S \* 2/2018 Ganea ..... D21/662  
 D810,955 S 2/2018 Miklavc  
 9,901,771 B1 2/2018 Silver  
 D812,700 S 3/2018 Silver  
 D813,323 S \* 3/2018 Silver ..... D21/694  
 9,968,513 B1 \* 5/2018 Marton ..... A61H 23/0263  
 D822,772 S \* 7/2018 Jorgenson ..... D24/211  
 D825,695 S \* 8/2018 Kim ..... D21/662  
 10,071,014 B2 9/2018 Yeh  
 D837,615 S 1/2019 Winter et al.  
 D843,522 S 3/2019 Miklavc et al.  
 D857,131 S 8/2019 Marton et al.  
 D858,779 S \* 9/2019 Durfee ..... D24/190  
 D859,668 S \* 9/2019 Durfee ..... D24/190  
 D872,198 S \* 1/2020 Kim ..... D21/662  
 D878,079 S \* 3/2020 Briden ..... D6/523  
 D882,805 S \* 4/2020 Lien ..... D24/211  
 D884,804 S \* 5/2020 Ross ..... D24/211  
 D886,314 S \* 6/2020 Morris ..... D24/211  
 D886,315 S \* 6/2020 Hicken ..... D24/211  
 D886,923 S 6/2020 Hsiung  
 D889,335 S 7/2020 Bowman  
 10,729,614 B2 8/2020 Marton et al.  
 D900,258 S \* 10/2020 Lin ..... D21/691  
 D900,945 S \* 11/2020 Kyriacou ..... D21/691  
 D919,107 S \* 5/2021 Huang ..... D24/211  
 11,039,976 B2 \* 6/2021 Jorgenson ..... A61H 15/00  
 D924,417 S \* 7/2021 Davis ..... D24/211  
 D927,711 S \* 8/2021 Guerizec ..... D24/211  
 D930,922 S \* 9/2021 Ruan ..... D30/160  
 11,141,345 B2 \* 10/2021 Kyriacou ..... A61H 1/00  
 D947,297 S 3/2022 Flick  
 D948,156 S 4/2022 Furuuchi  
 D949,359 S \* 4/2022 Lebovic ..... D24/211  
 D949,363 S \* 4/2022 Wersland ..... D24/211  
 D952,070 S 5/2022 Gridley  
 D957,663 S \* 7/2022 Lebovic ..... D24/211  
 D957,742 S \* 7/2022 Dickson ..... D29/122  
 D957,743 S \* 7/2022 Dickson ..... D29/122  
 2002/0170728 A1 11/2002 Holland et al.  
 2005/0070827 A1 3/2005 Lee

2009/0088307 A1 4/2009 Jelinek et al.  
 2009/0176635 A1 7/2009 Brinson  
 2009/0183817 A1 7/2009 Sinykin  
 2013/0090220 A1 4/2013 Bertram et al.  
 2013/0267396 A1 10/2013 Dye  
 2015/0045707 A1 \* 2/2015 Selvaggio ..... A61H 15/0092  
 2016/0074274 A1 3/2016 Mallory  
 2016/0195163 A1 7/2016 Cavanaugh et al.  
 2016/0279009 A1 \* 9/2016 Somjee ..... A61H 7/007  
 2017/0042756 A1 \* 2/2017 Nelson ..... A61H 15/00  
 2017/0065482 A1 \* 3/2017 Downare ..... A61H 15/00  
 2018/0021211 A1 1/2018 Suokas et al.  
 2018/0028388 A1 2/2018 Leier et al.  
 2018/0071166 A1 \* 3/2018 Lawrie ..... A61H 15/0092  
 2018/0207055 A1 \* 7/2018 Davis ..... A61F 7/007  
 2018/0339216 A1 \* 11/2018 Gencarelli ..... A61M 21/02  
 2021/0197011 A1 \* 7/2021 Hadley ..... A61H 15/0092

FOREIGN PATENT DOCUMENTS

DE 202014004900 U1 10/2014  
 DE 202014004901 U1 10/2014  
 DE 102014211779 A1 12/2015  
 DE 102014211780 A1 12/2015  
 DE 102015002235 A1 12/2015

OTHER PUBLICATIONS

Zyllion Rechargeable Vibrating Foam Roller, Oct. 13, 2017, Amazon, site visited Jun. 1, 2022: <https://amzn.to/38Uw3z6> (Year: 2017).\*

“Nextrino Vibrating Foam Roller” May 25, 2016, Amazon, site visited Jul. 19, 2022: <https://amzn.to/3IWuGxm> (Year: 2016).\*

“URBNFit Vibrating Foam Roller” Jan. 22, 2019, Amazon, site visited Jul. 19, 2022: <https://amzn.to/3okIRm5> (Year: 2019).\*

“Does A Fit Roll Vibrating Foam Roller Work? A Review”, May 23, 2018, Youtube, site visited Jul. 19, 2022: <https://www.youtube.com/watch?v=lyrlne78Gmg> (Year: 2018).\*

“Hyperice | Vyper Vibrating Foam Roller,” [www.hyperice.com/yper](http://www.hyperice.com/yper), accessed on Sep. 7, 2017, 10 pages.

“Foam Roller Wrap,” Jun. 3, 2011, Amazon, site visited Jun. 3, 2022: <https://amzn.to/3wZfB8A> (Year: 2011).

“Theraband Foam Rollers and Wrap,” Sep. 12, 2013, YouTube, site visited Jun. 3, 2022: <https://youtube.com/watch?v=rQ0PQWxPV0> (Year: 2013).

“Peace of Muscle Foam Roller Review,” Nov. 2, 2016, YouTube, site visited Jun. 4, 2022: <https://www.youtube.com/watch?v=0P48FkFkil0> Year: 2016).

“TriggerPoint GRID Caps,” Aug. 14, 2018, Amazon, site visited Jun. 6, 2022: <https://amzn.to/3tetEG3> (Year: 2018).

“321 STRONG 5 in 1 Foam Roller Set,” Mar. 8, 2019, Amazon, site visited Jun. 6, 2022: <https://amzn.to/3xnj5mJ> (Year: 2019).

Design U.S. Appl. No. 29/771,688.  
 Design U.S. Appl. No. 29/771,689.  
 Design U.S. Appl. No. 29/771,690.  
 Design U.S. Appl. No. 29/771,691.  
 Design U.S. Appl. No. 29/771,693.

\* cited by examiner

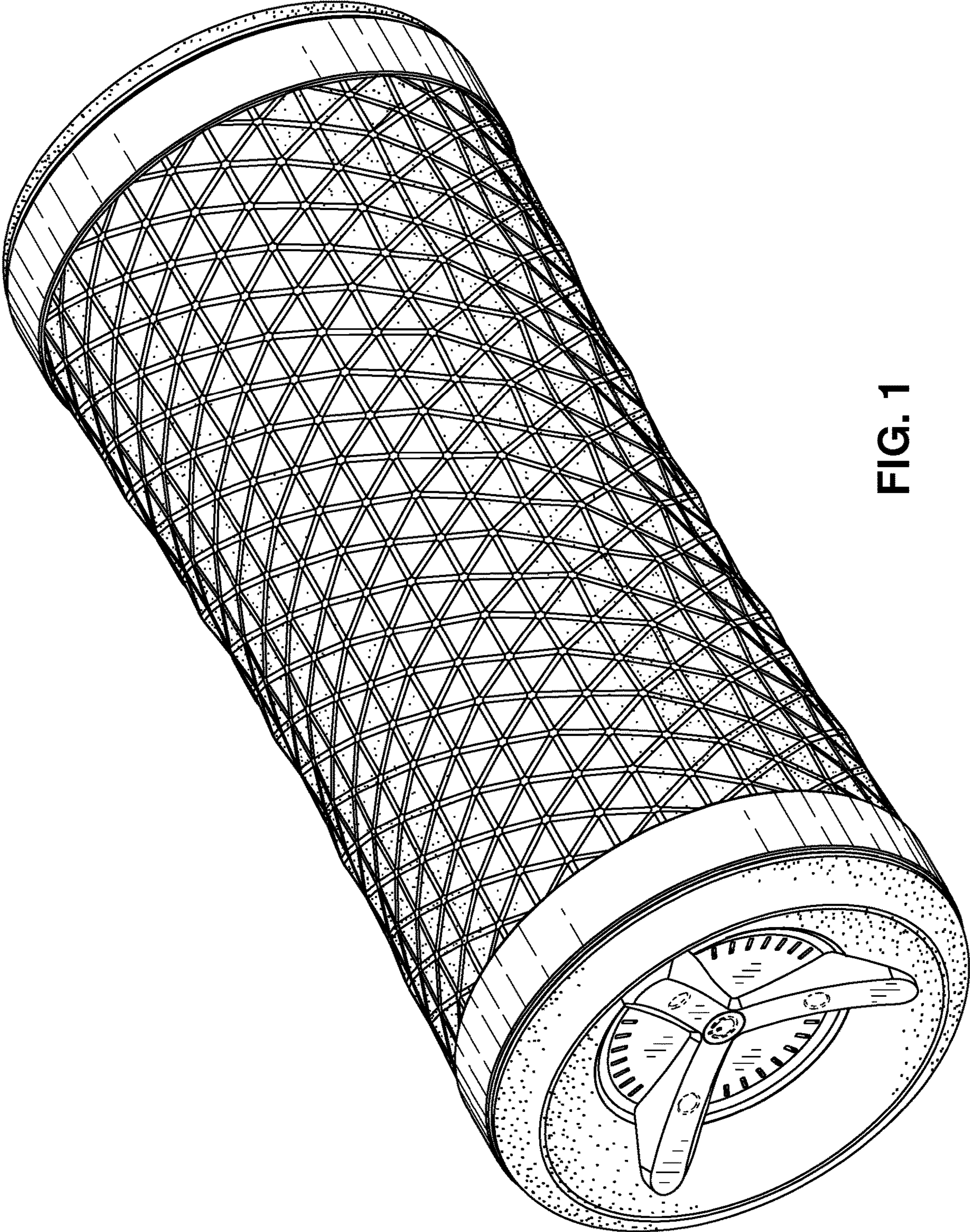


FIG. 1

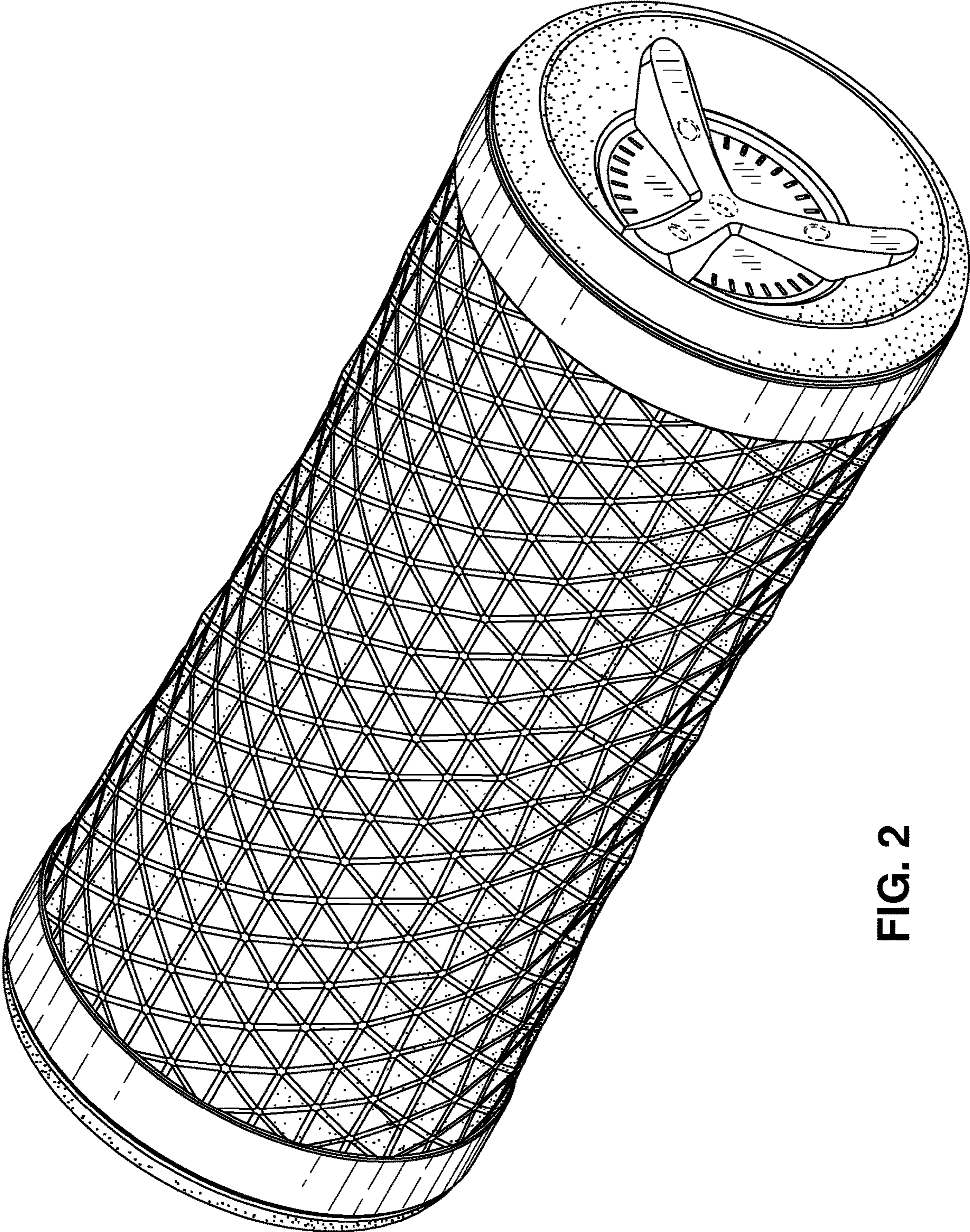


FIG. 2

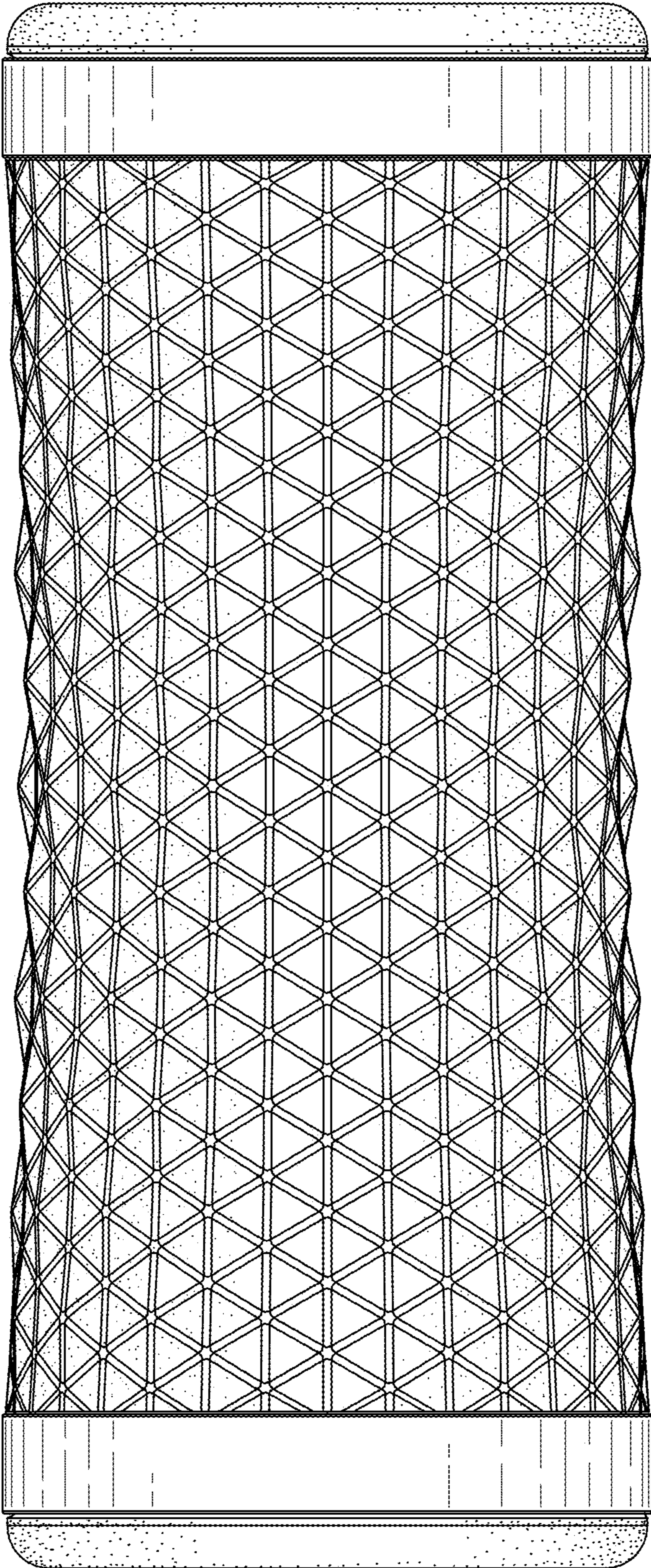


FIG. 3

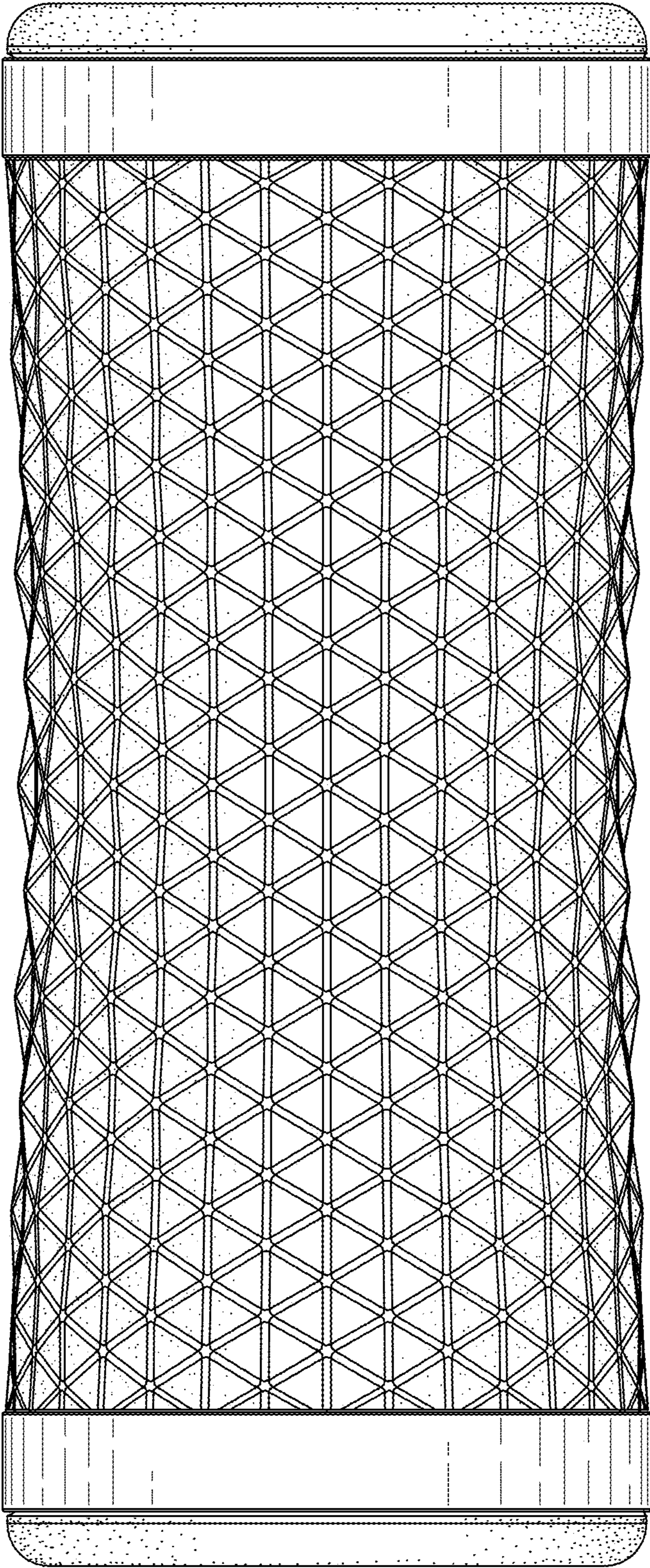


FIG. 4

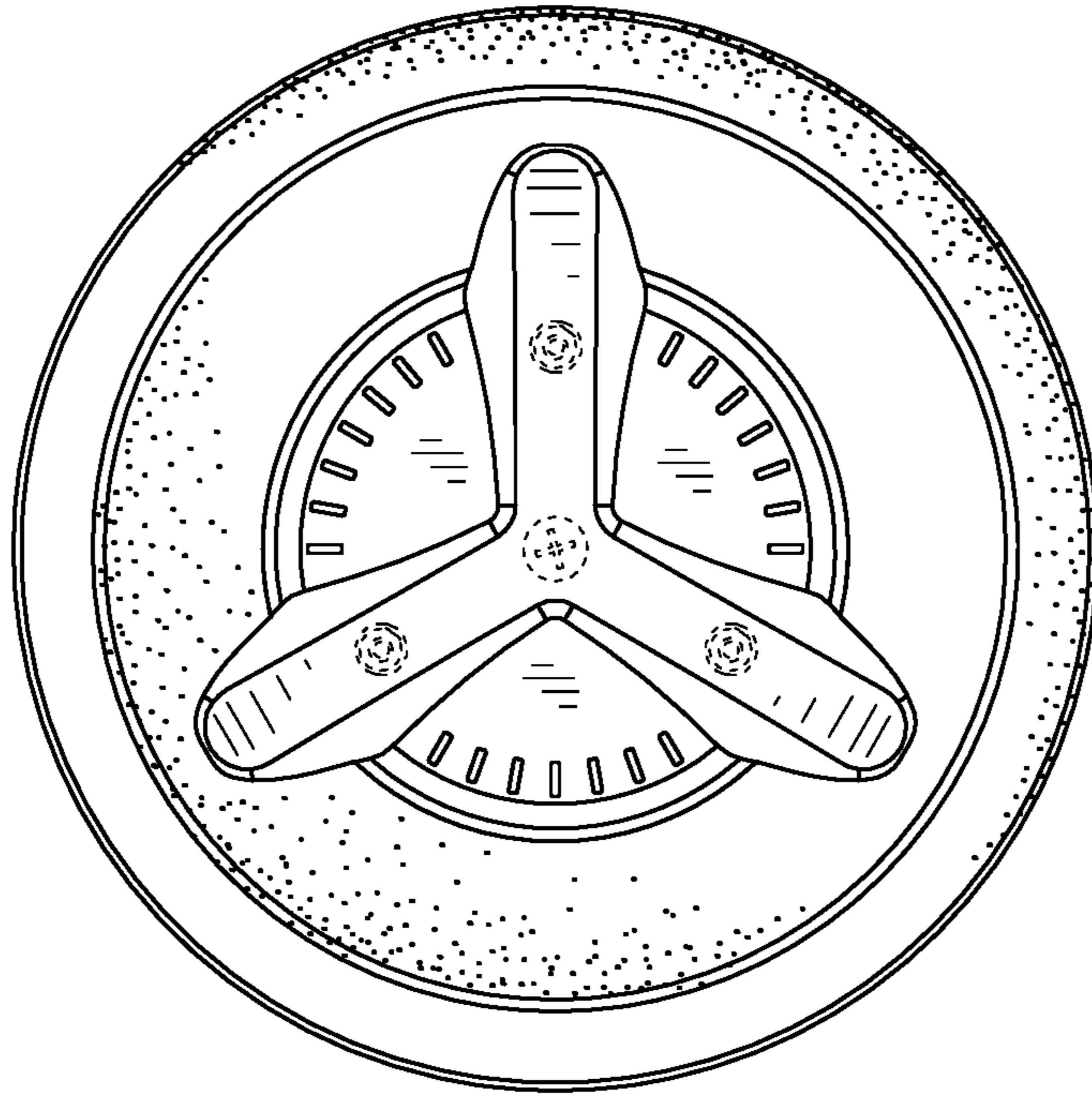


FIG. 6

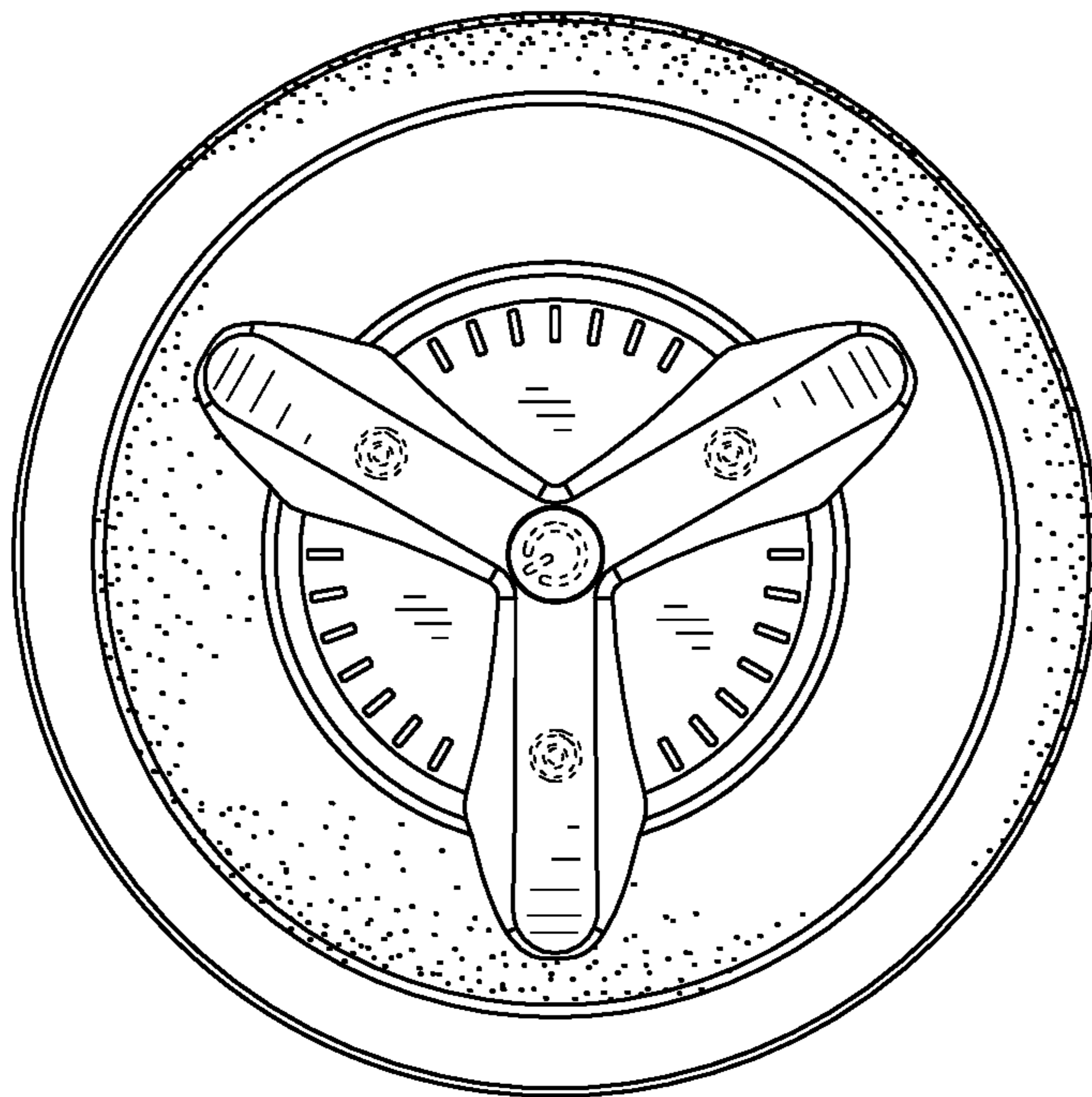


FIG. 5