



US00D973218S

(12) **United States Design Patent** (10) **Patent No.:** **US D973,218 S**  
**Lim** (45) **Date of Patent:** **\*\* Dec. 20, 2022**

- (54) **WELLNESS LAMP**
- (71) Applicant: **Wai-Loong Lim**, San Francisco, CA (US)
- (72) Inventor: **Wai-Loong Lim**, San Francisco, CA (US)
- (73) Assignee: **Homeolux LLC**, New York, NY (US)
- (\*\*) Term: **15 Years**
- (21) Appl. No.: **29/796,356**
- (22) Filed: **Jun. 23, 2021**
- (51) **LOC (13) Cl.** ..... **28-03**
- (52) **U.S. Cl.**  
USPC ..... **D24/210**
- (58) **Field of Classification Search**  
USPC ..... D24/200, 209, 210, 214, 215; D26/93, D26/24; D6/310  
CPC ..... A61N 5/0616; A61N 5/0618; A61N 2005/0644; A61N 2005/0636; A61N 2005/0626; A61N 2005/0627; A61N 2005/0652; A61N 2005/0654; A61N 2005/0642; A61B 2018/1807  
See application file for complete search history.

(56) **References Cited**

**U.S. PATENT DOCUMENTS**

D435,912 S *	1/2001	Muller	.....	D24/210
D442,286 S *	5/2001	Dumas	.....	D24/210
D641,490 S *	7/2011	Fernie	.....	D24/210
D647,626 S *	10/2011	Nitsch	.....	D24/209
D735,875 S *	8/2015	Hagenauer	.....	D24/210
D736,942 S *	8/2015	Hagenauer	.....	D24/210
D736,943 S *	8/2015	Hagenauer	.....	D24/210
D824,529 S *	7/2018	Tenenbaum	.....	D24/214

D857,219 S *	8/2019	Chew	.....	D24/210
D911,539 S *	2/2021	Li	.....	D24/210
2007/0150031 A1 *	6/2007	Barker	.....	A61N 5/0618 606/4
2022/0016435 A1 *	1/2022	Pfiffner	.....	A61N 5/0616

**OTHER PUBLICATIONS**

Amazon.com: Bright BEACON40 Surround—Adjustable Smart Light, at-Home Wellness Routine for Cognitive Health. Product first available on Aug. 17, 2021. Retrieved from website on Jul. 15, 2022 at: <https://www.amazon.com/BRIGHT-BEACON40-Surround-Adjustable-Alzheimers/dp/B09CQ95JK7?th=1>.\*

Trendhunter. User-Friendly Wellness Lamps : wellness lamp. Bright’s BEACON40 40Hz Lamp Helps to Improves Sleep, Memory & More. Laura McQuarrie—Aug. 3, 2021—. Retrieved from internet on Jul. 15, 2022 at: <https://www.trendhunter.com/trends/wellness-lamp>.\*

\* cited by examiner

*Primary Examiner* — Anhdao Doan  
(74) *Attorney, Agent, or Firm* — Dhiraj Jindal; Patent Yogi LLC

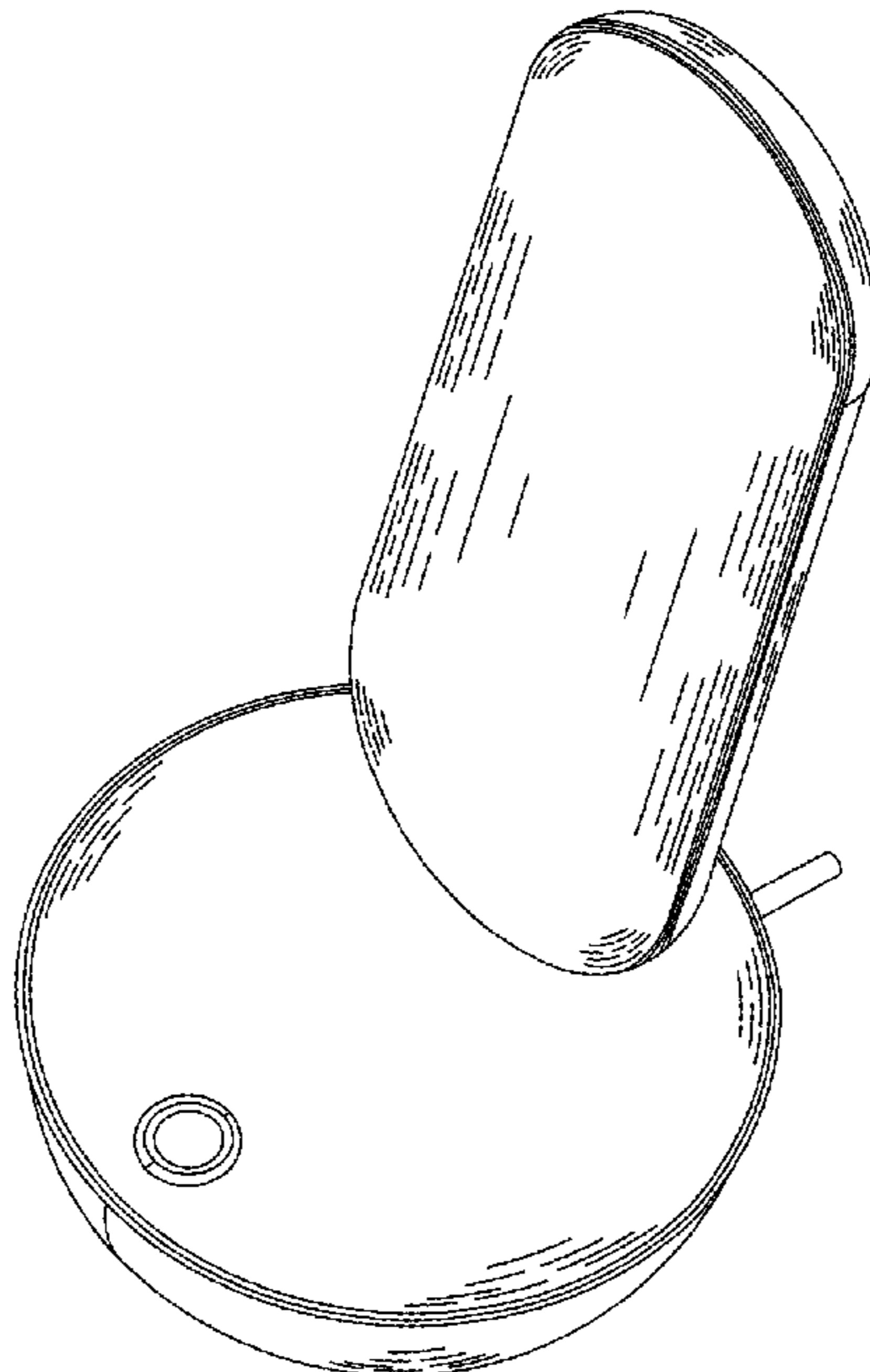
(57) **CLAIM**

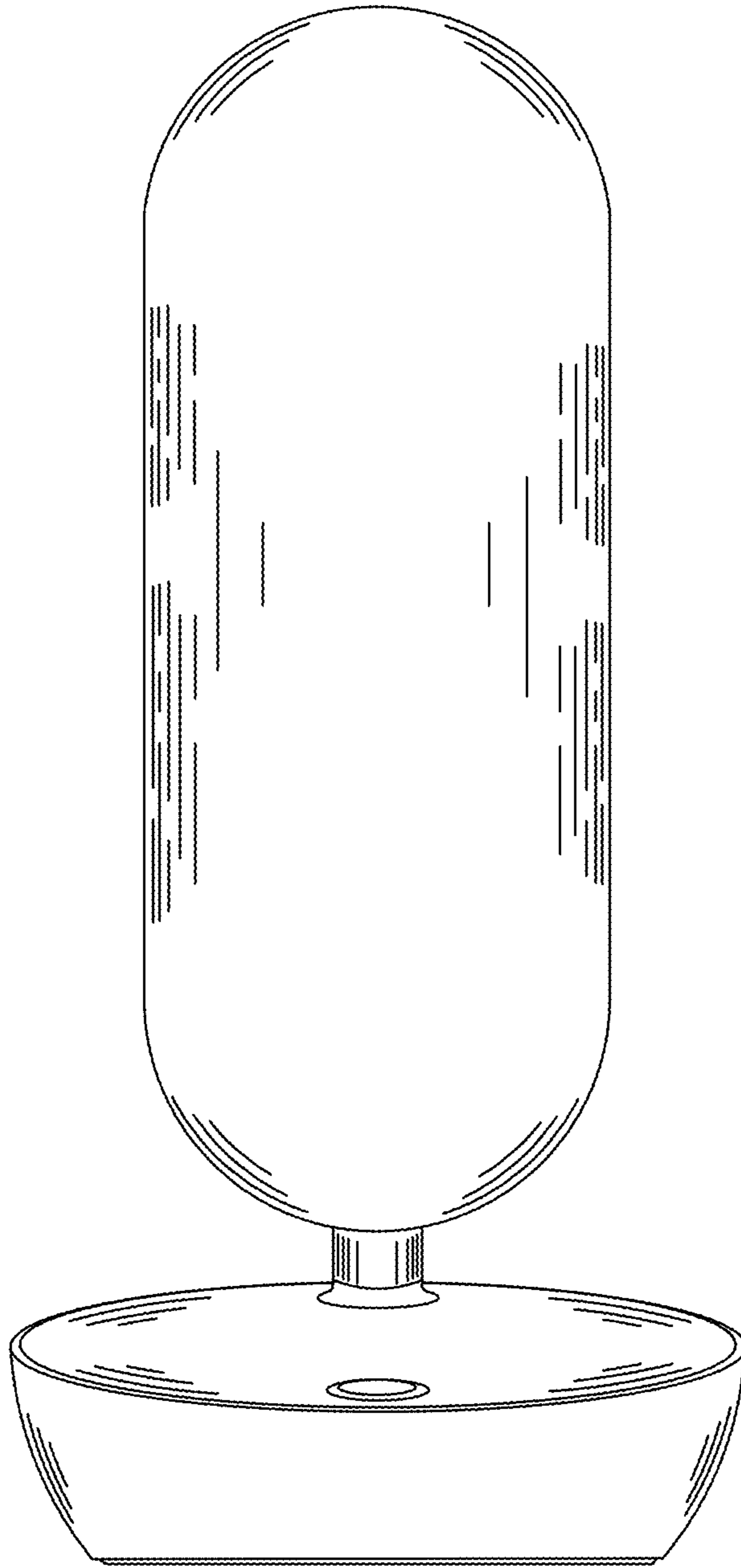
The ornamental design for a wellness lamp, as shown and described.

**DESCRIPTION**

FIG. 1 is a front view of a wellness lamp showing my new design;  
FIG. 2 is a rear view thereof;  
FIG. 3 is a left side view thereof;  
FIG. 4 is a right side view thereof;  
FIG. 5 is a top view thereof;  
FIG. 6 is a bottom view thereof;  
FIG. 7 is a bottom right perspective view thereof; and,  
FIG. 8 is a top right perspective view thereof.

**1 Claim, 8 Drawing Sheets**





**FIG. 1**

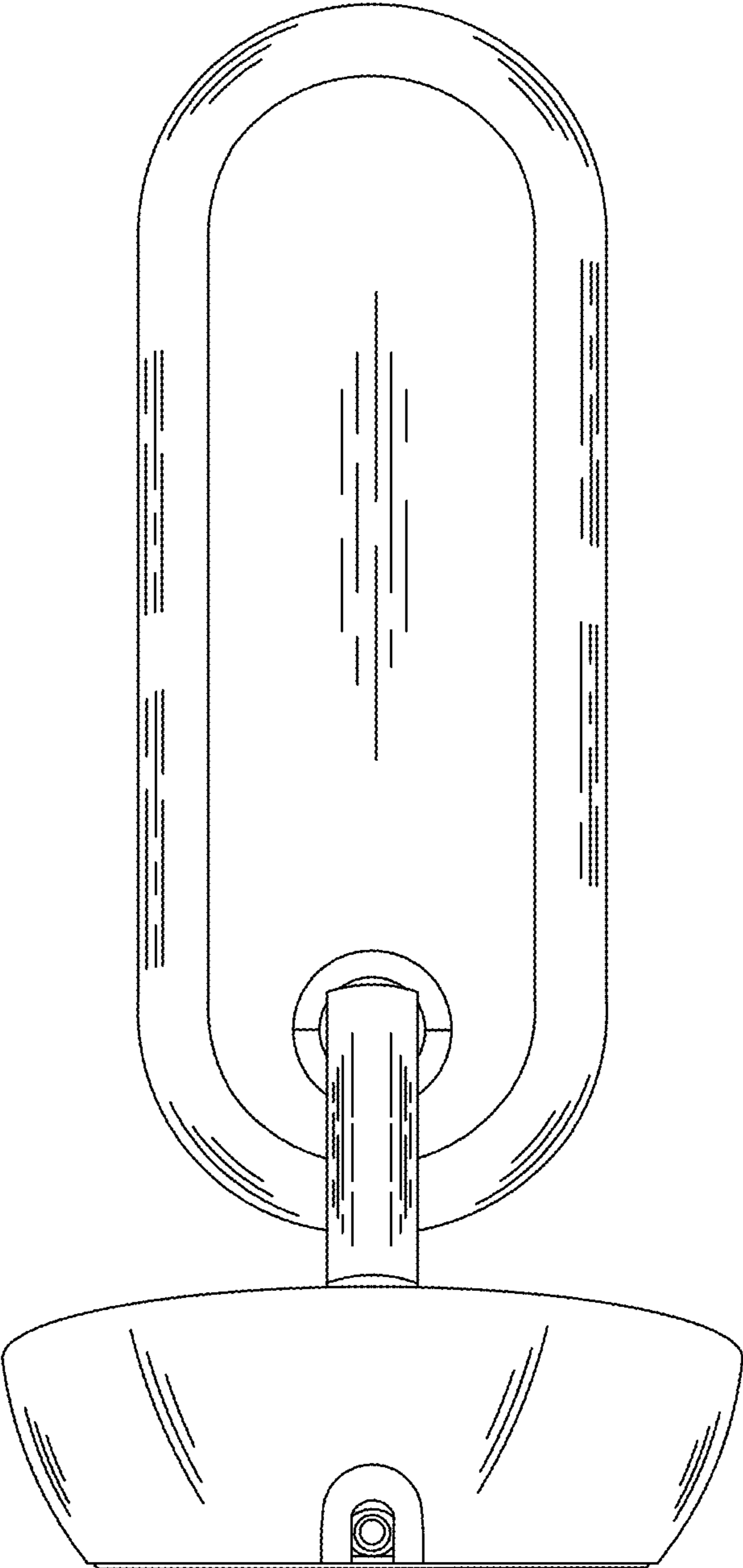


FIG. 2

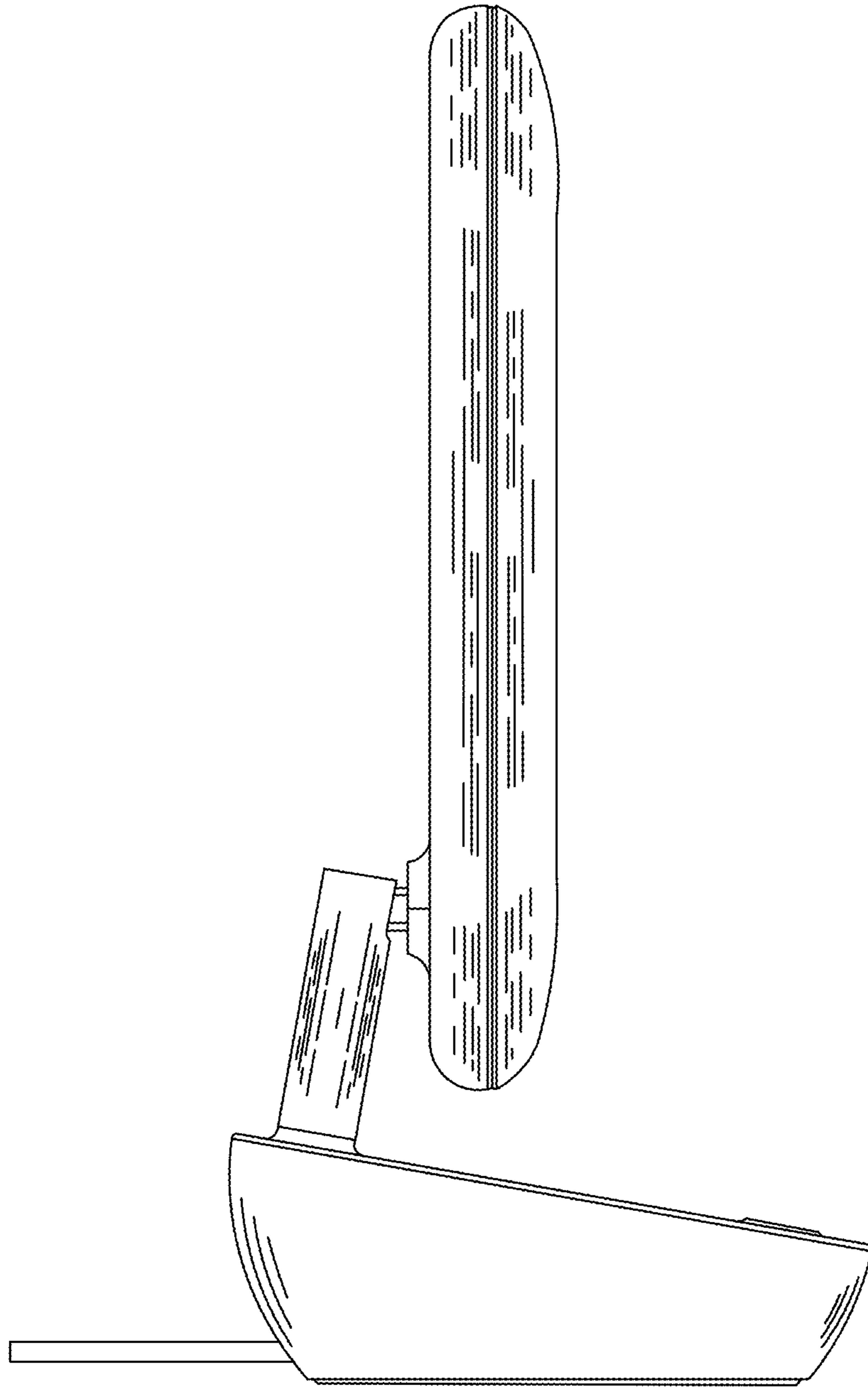


FIG. 3

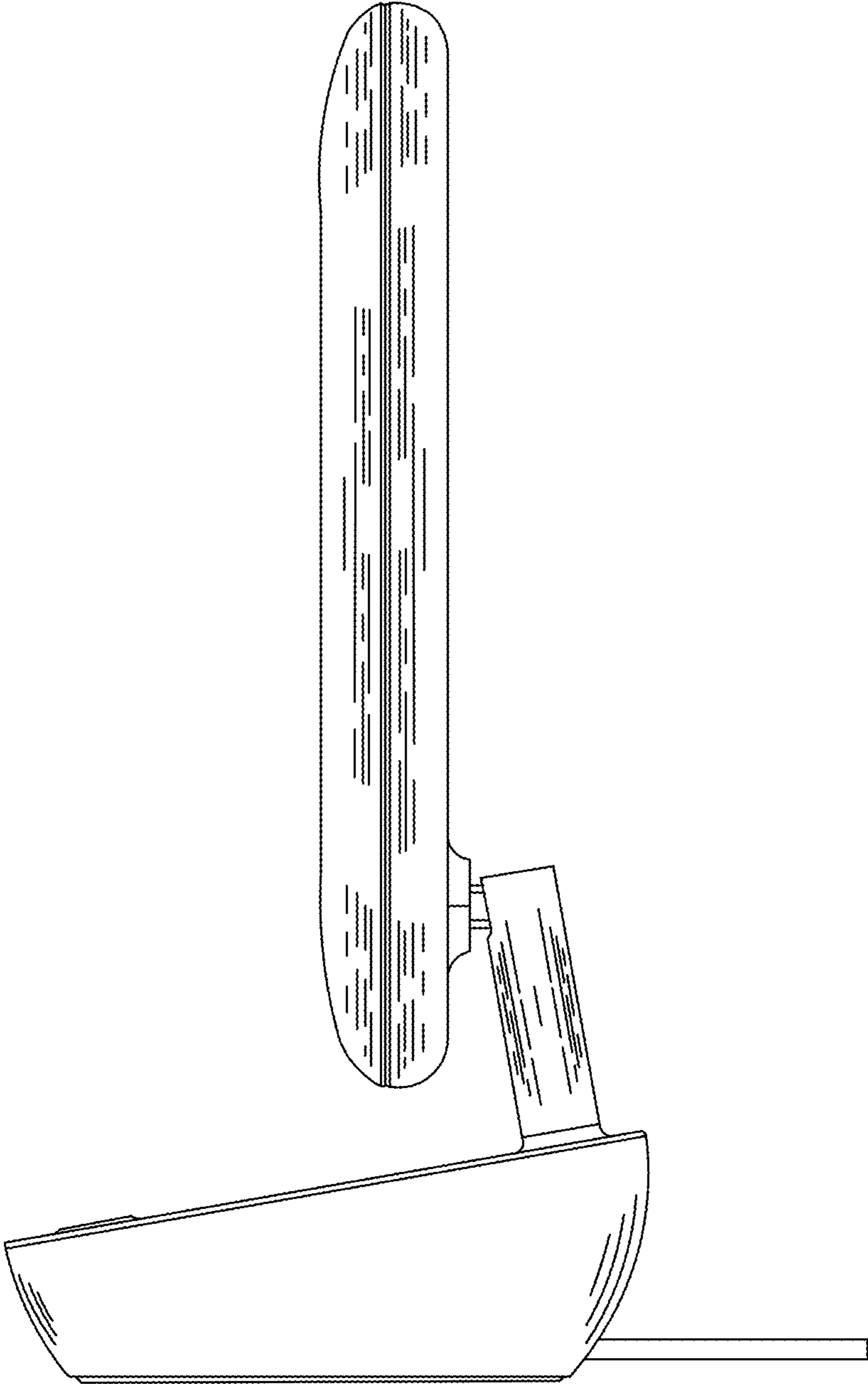
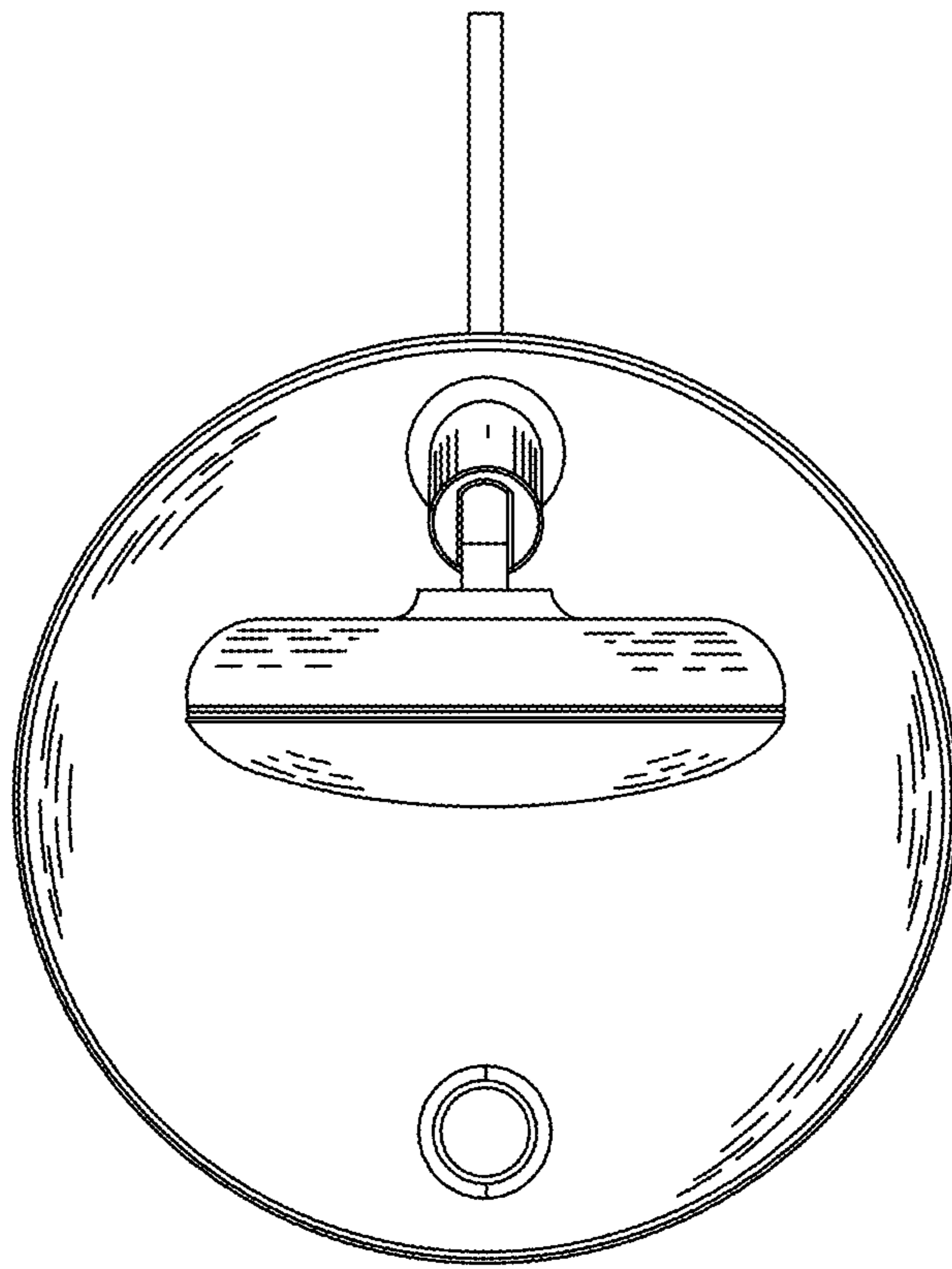


FIG. 4



**FIG. 5**

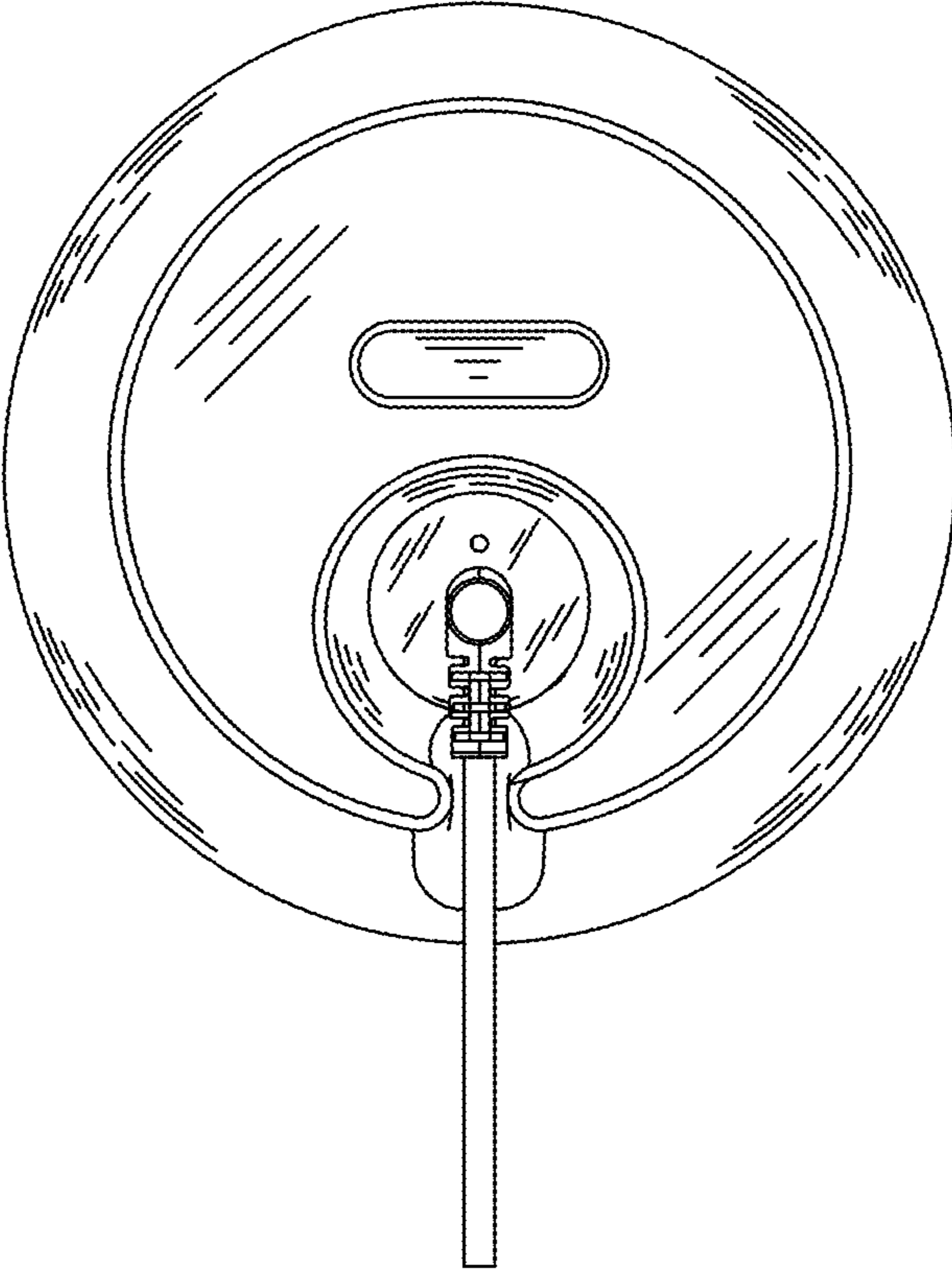


FIG. 6

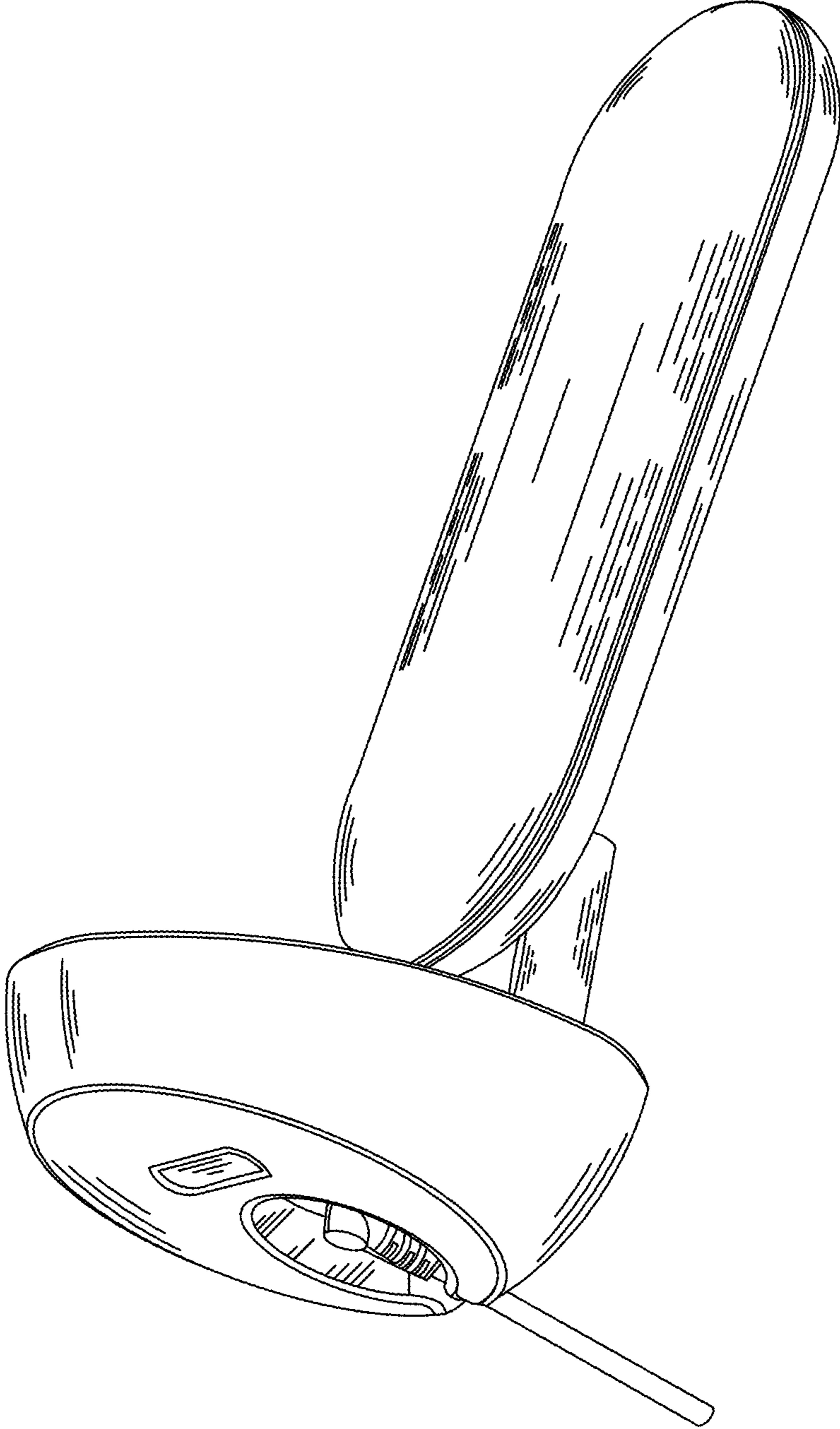


FIG. 7



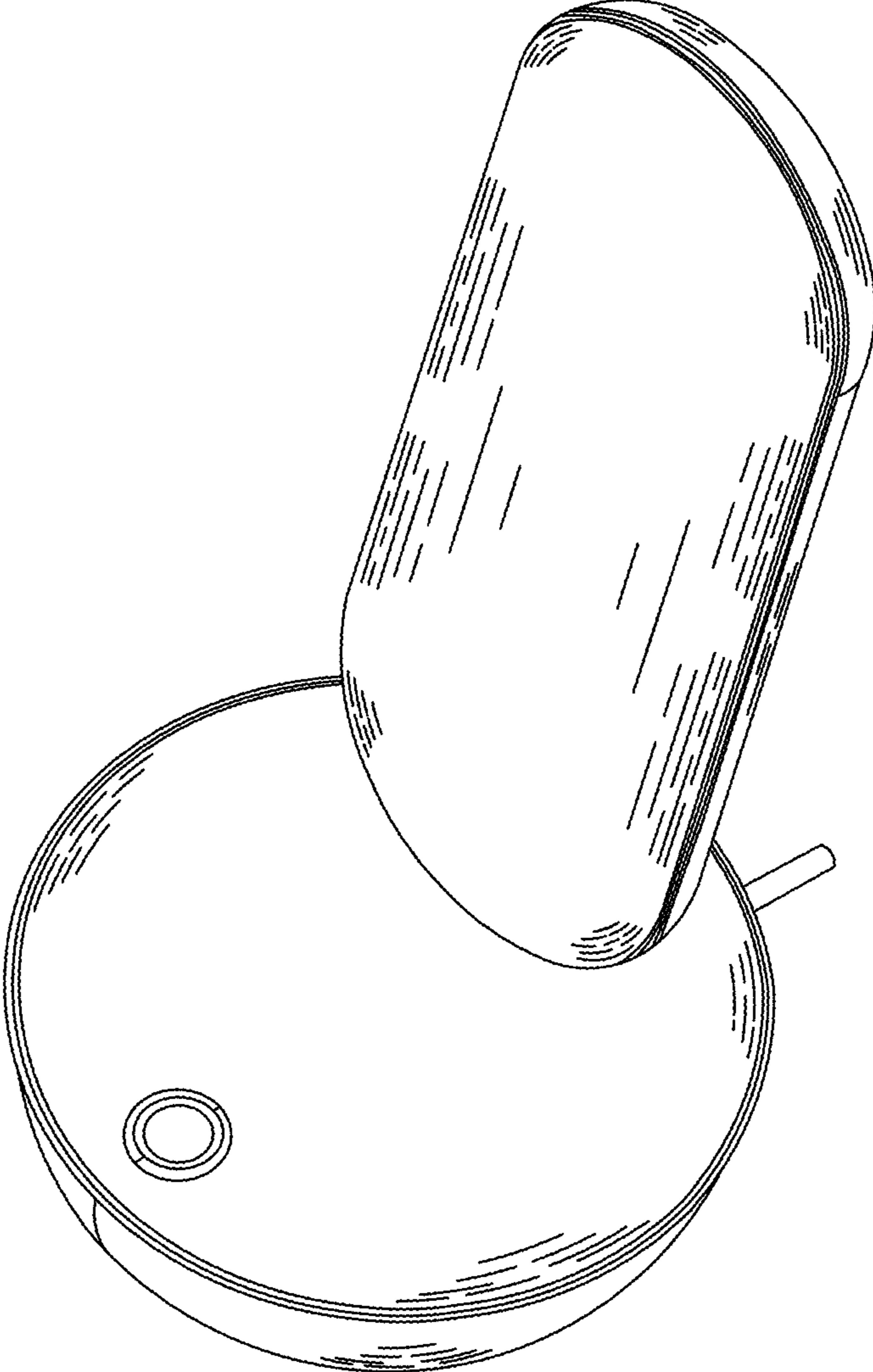


FIG. 8