



US00D973217S

(12) **United States Design Patent** (10) **Patent No.:** **US D973,217 S**
Lim (45) **Date of Patent:** **** Dec. 20, 2022**

- (54) **WELLNESS LAMP**
- (71) Applicant: **Wai-Loong Lim**, San Francisco, CA (US)
- (72) Inventor: **Wai-Loong Lim**, San Francisco, CA (US)
- (73) Assignee: **Homeolux LLC**, New York, NY (US)
- (**) Term: **15 Years**
- (21) Appl. No.: **29/794,902**
- (22) Filed: **Jun. 15, 2021**
- (51) **LOC (13) Cl.** **28-03**
- (52) **U.S. Cl.**
USPC **D24/210**
- (58) **Field of Classification Search**
USPC D24/200, 209, 210, 214, 215; D26/93, D26/24; D6/310
CPC A61N 5/0616; A61N 5/0618; A61N 2005/0644; A61N 2005/0636; A61N 2005/0626; A61N 2005/0627; A61N 2005/0652; A61N 2005/0654; A61N 2005/0642; A61B 2018/1807
See application file for complete search history.

- D857,219 S * 8/2019 Chew D24/210
- D911,539 S * 2/2021 Li D24/210
- 2007/0150031 A1* 6/2007 Barker A61N 5/0618 606/4
- 2022/0016435 A1* 1/2022 Pffner A61N 5/0616

OTHER PUBLICATIONS

Amazon.com: Bright BEACON40 Surround—Adjustable Smart Light, at-Home Wellness Routine for Cognitive Health. Product first available on Aug. 17, 2021. Retrieved from website on Jul. 15, 2022 at: <https://www.amazon.com/BRIGHT-BEACON40-Surround-Adjustable-Alzheimers/dp/B09CQ95JK7?th=1>.*

Trendhunter. User-Friendly Wellness Lamps : wellness lamp. Bright’s BEACON40 40Hz Lamp Helps to Improves Sleep, Memory & More. Laura McQuarrie—Aug. 3, 2021—. Retrieved from internet on Jul. 15, 2022 at: <https://www.trendhunter.com/trends/wellness-lamp>.*

* cited by examiner

Primary Examiner — Anhdao Doan
(74) *Attorney, Agent, or Firm* — Dhiraj Jindal; Patent Yogi LLC

(57) **CLAIM**

The ornamental design for a wellness lamp, as shown and described.

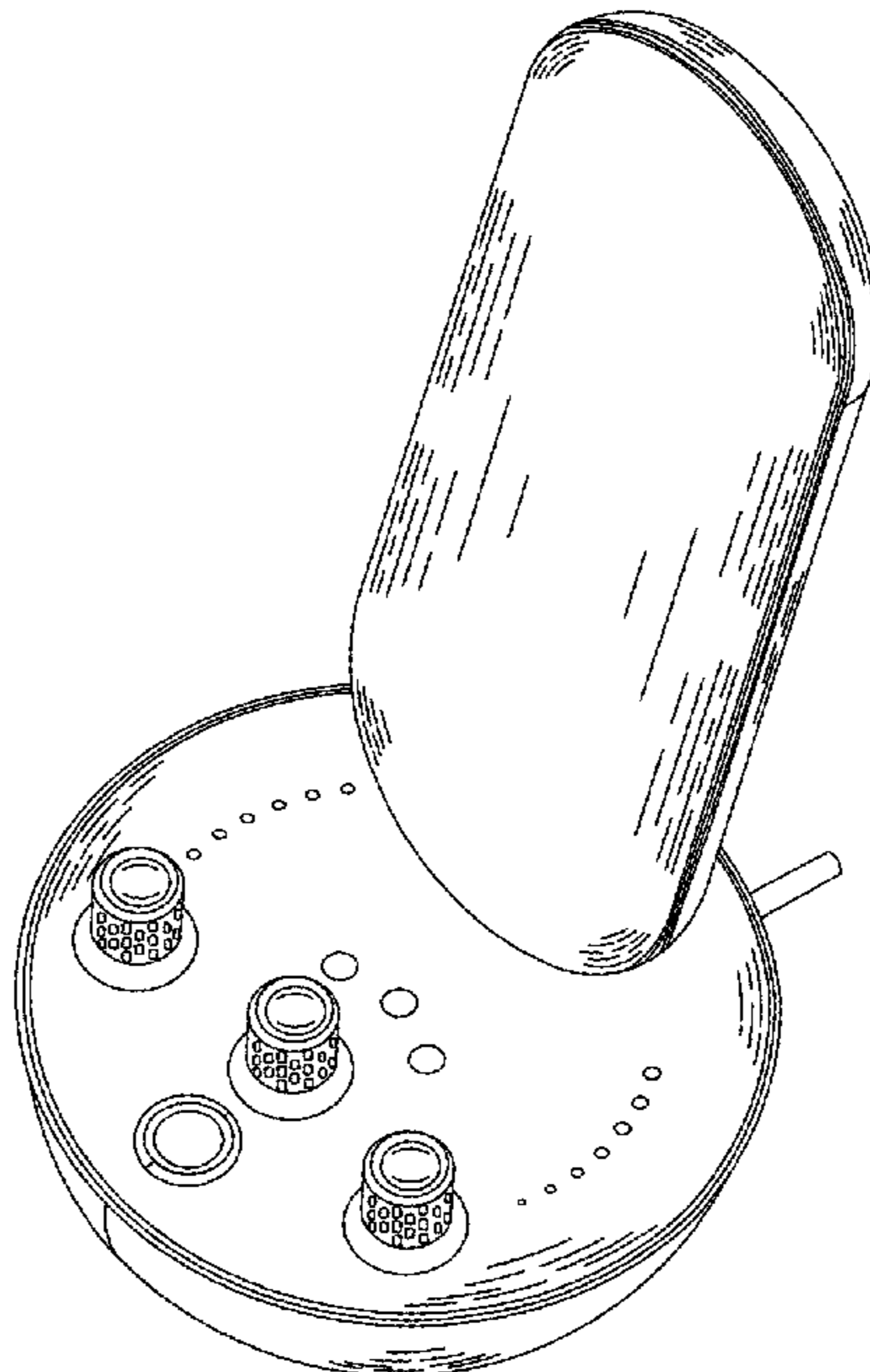
DESCRIPTION

FIG. 1 is a front view of a wellness lamp showing my new design;
FIG. 2 is a rear view thereof;
FIG. 3 is a left side view thereof;
FIG. 4 is a right side view thereof;
FIG. 5 is a top view thereof;
FIG. 6 is a bottom view thereof;
FIG. 7 is a bottom right perspective view thereof; and,
FIG. 8 is a top right perspective view thereof.

1 Claim, 8 Drawing Sheets

(56) **References Cited**
U.S. PATENT DOCUMENTS

- D435,912 S * 1/2001 Muller D24/210
- D442,286 S * 5/2001 Dumas D24/210
- D641,490 S * 7/2011 Fernie D24/210
- D647,626 S * 10/2011 Nitsch D24/209
- D735,875 S * 8/2015 Hagenauer D24/210
- D736,942 S * 8/2015 Hagenauer D24/210
- D736,943 S * 8/2015 Hagenauer D24/210
- D824,529 S * 7/2018 Tenenbaum D24/214



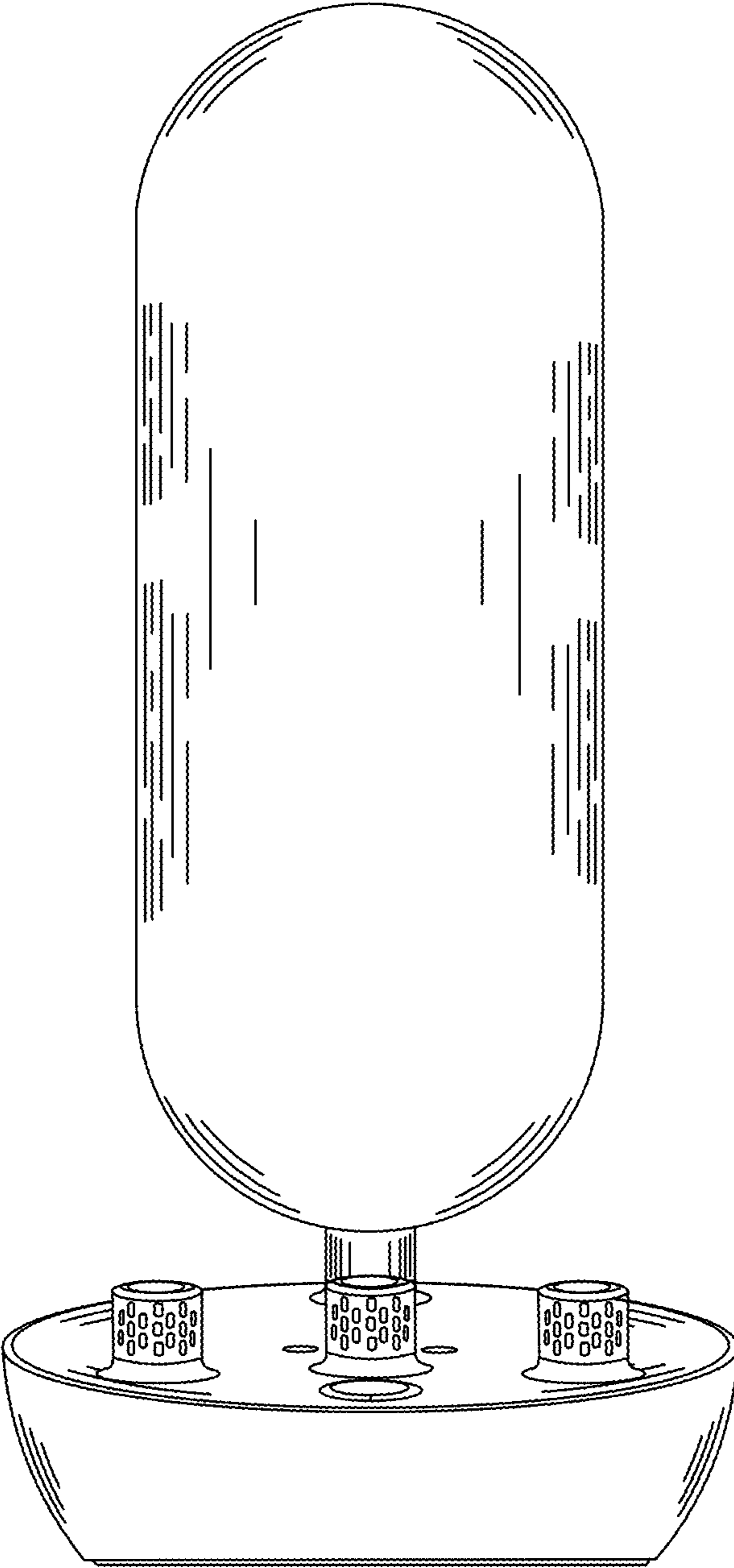


FIG. 1

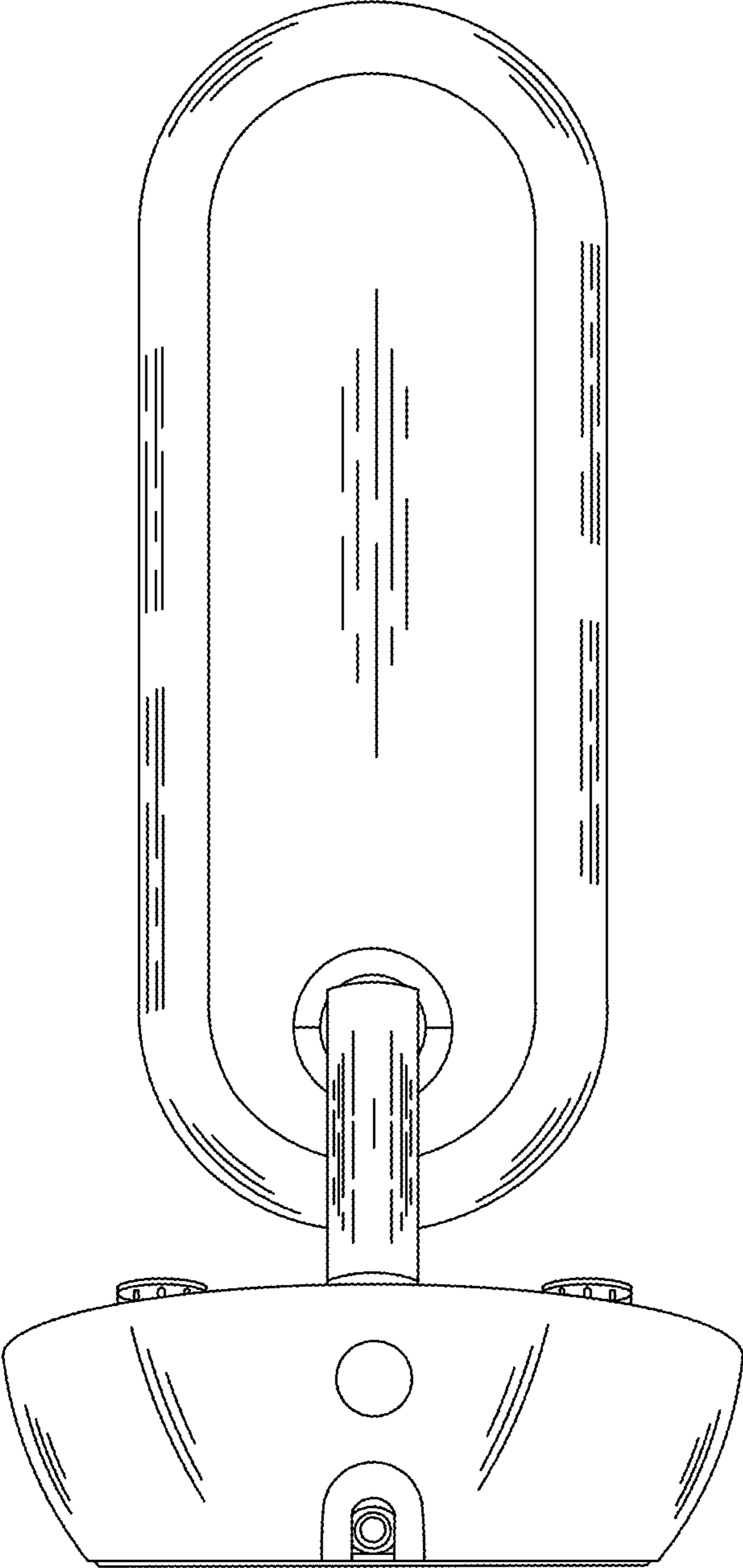


FIG. 2

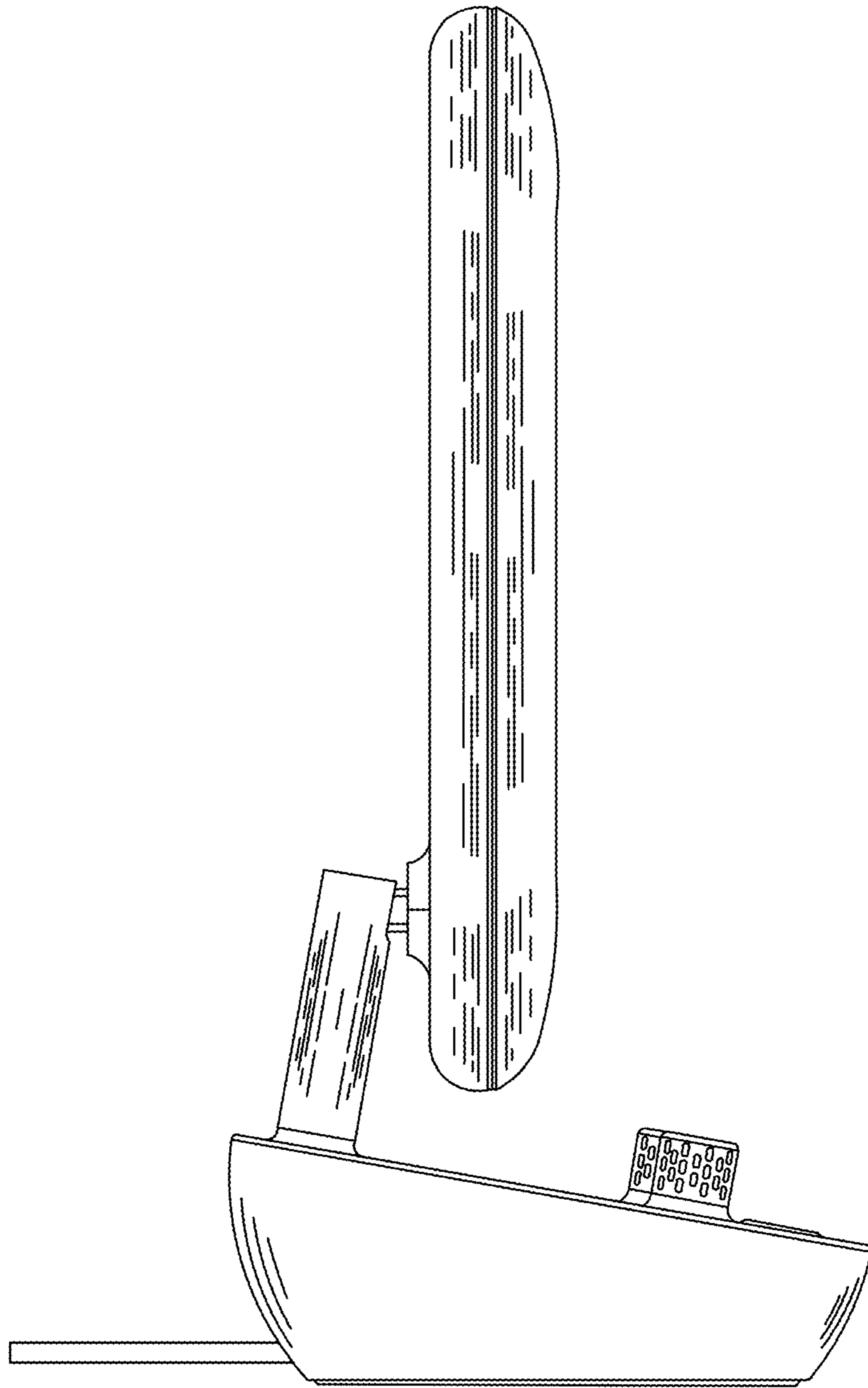


FIG. 3

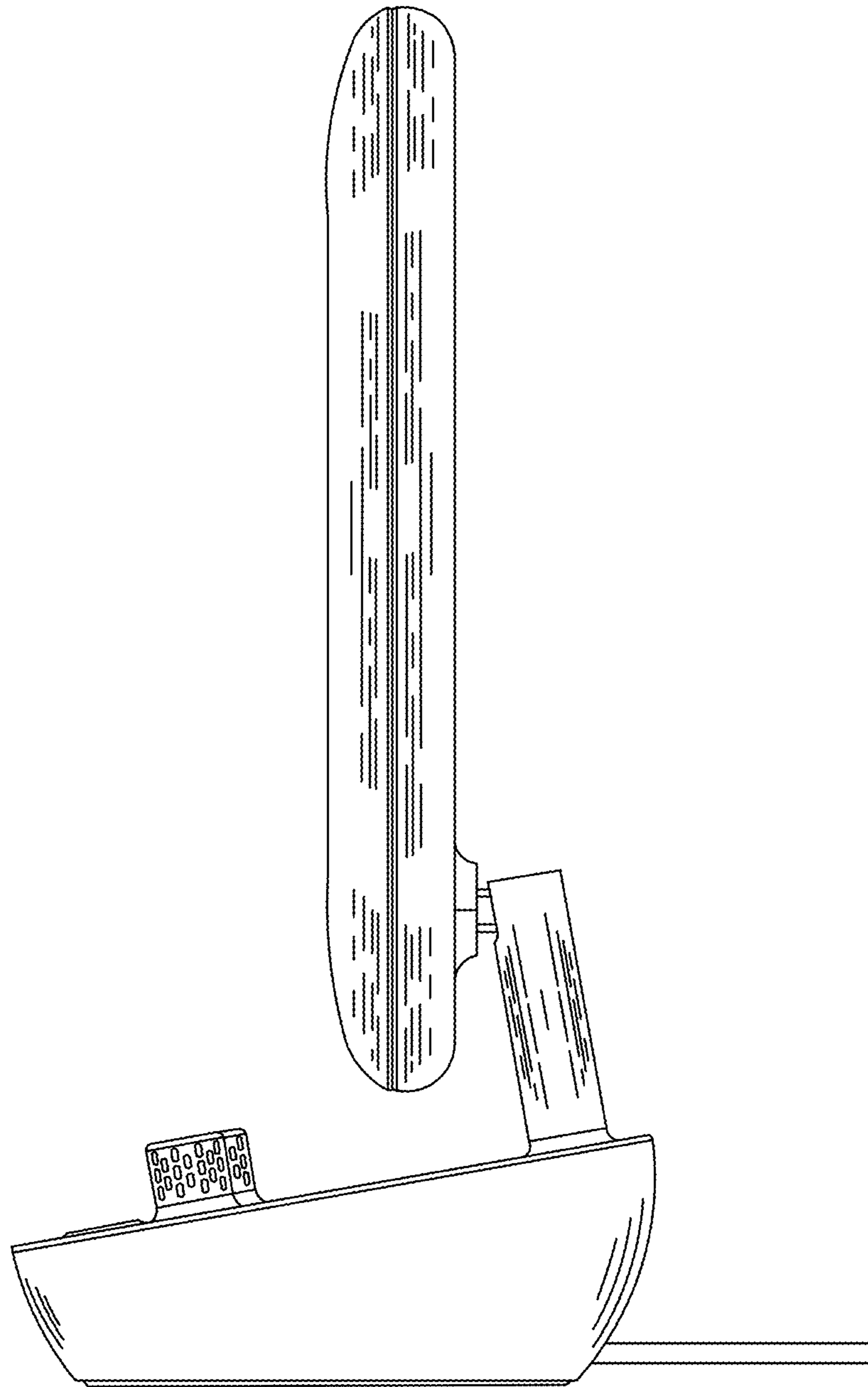


FIG. 4

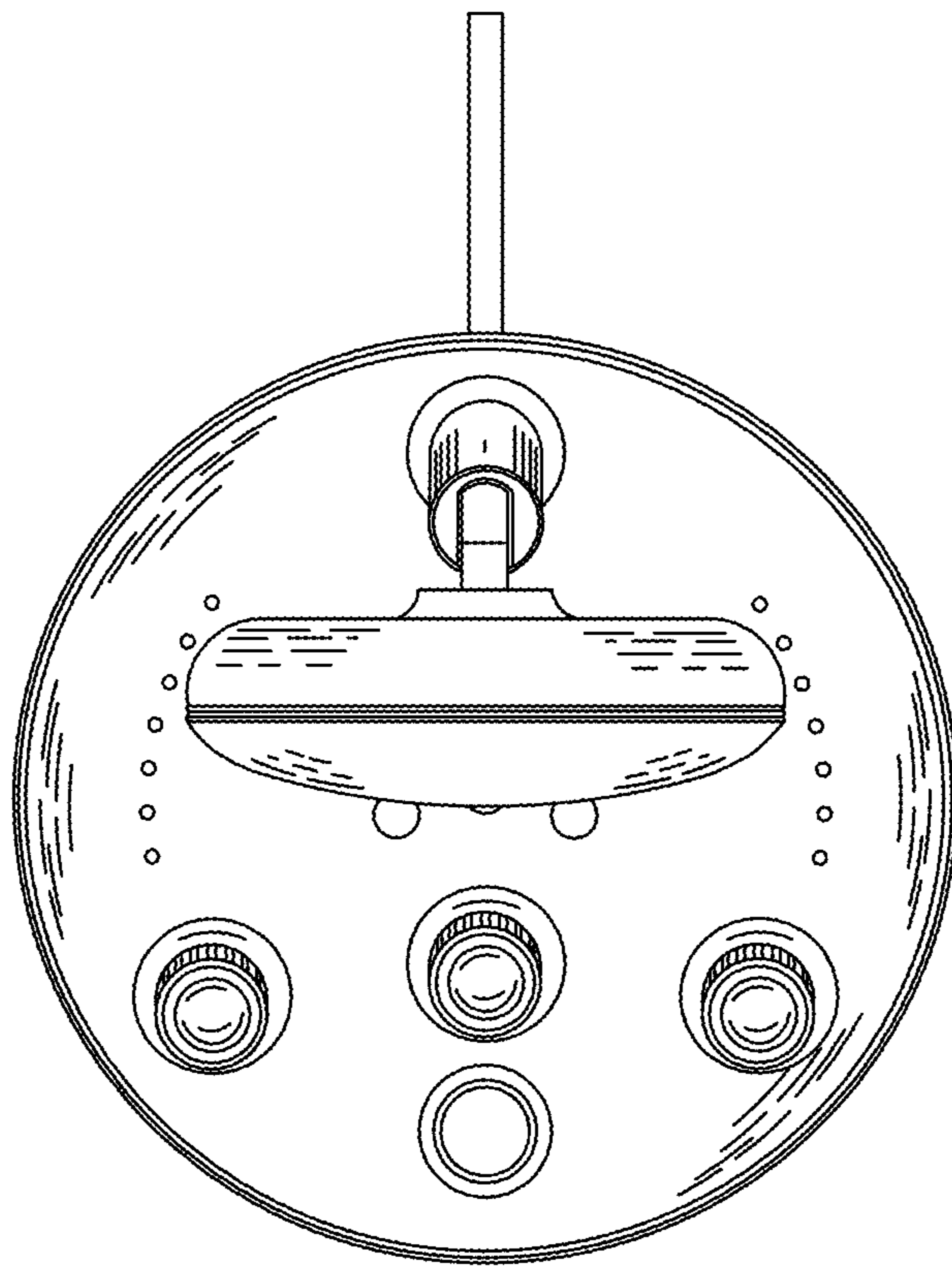


FIG. 5

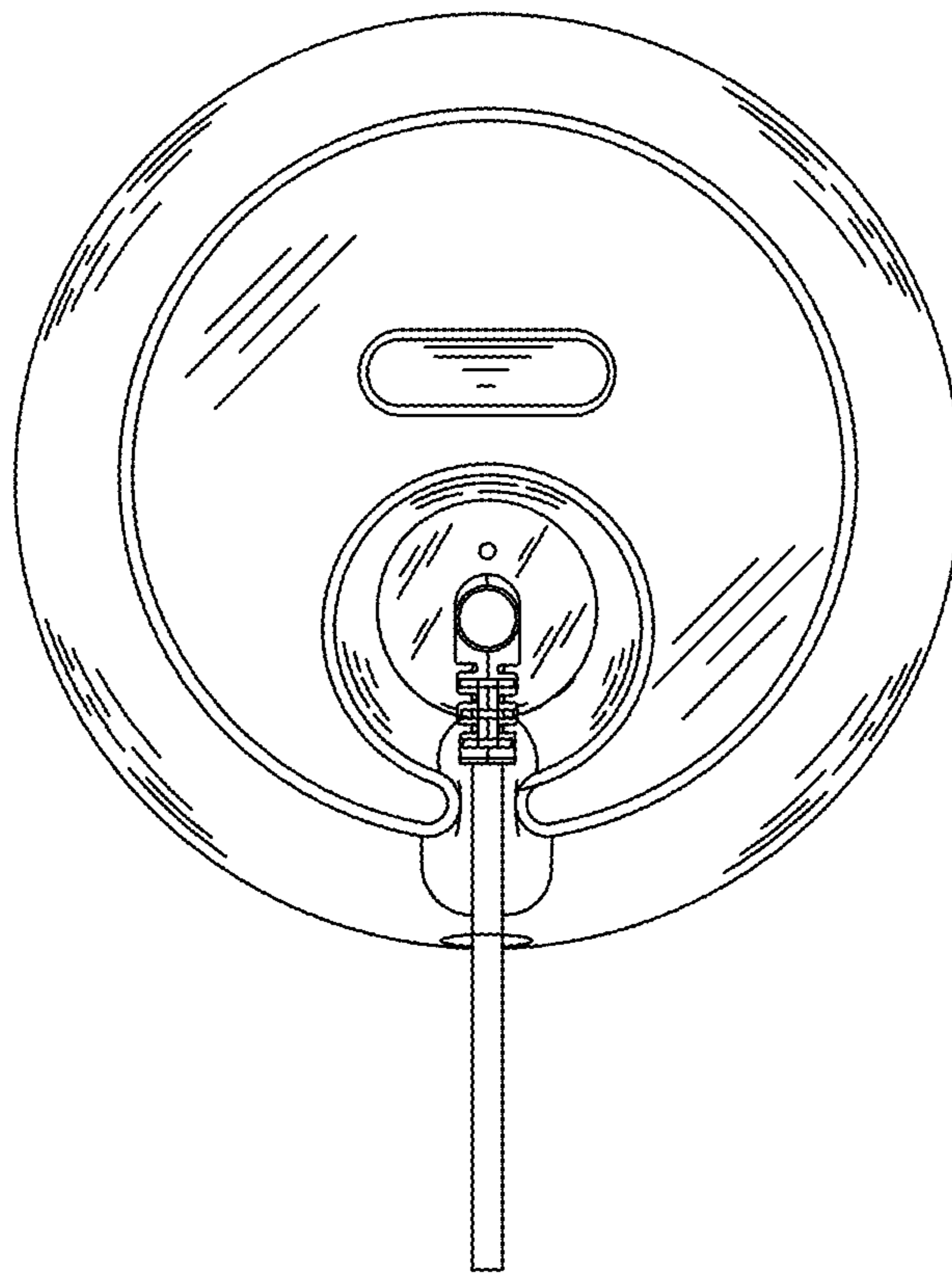


FIG. 6

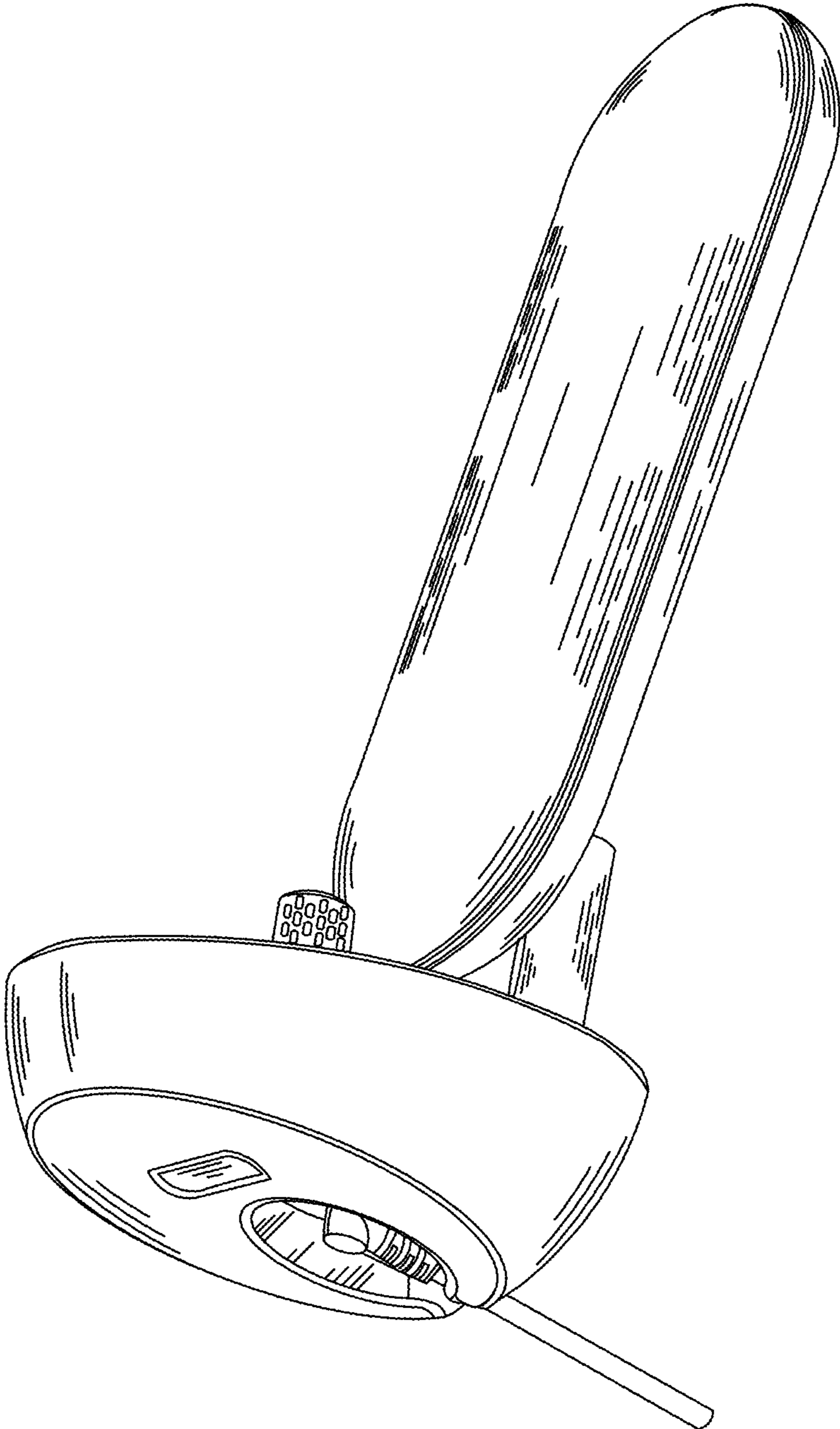


FIG. 7

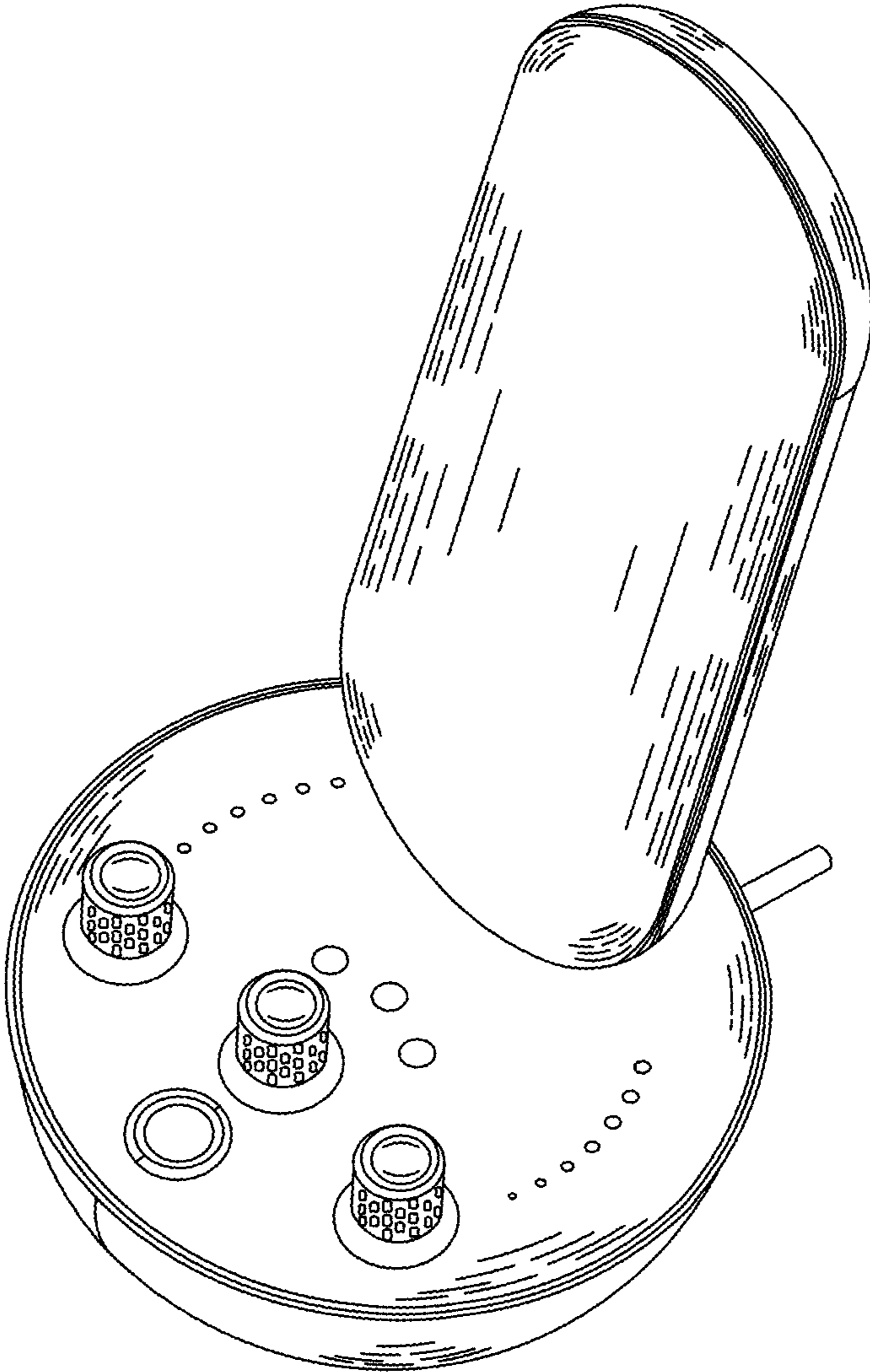


FIG. 8