



US00D973214S

(12) **United States Design Patent**
MacKay

(10) **Patent No.:** **US D973,214 S**

(45) **Date of Patent:** **** Dec. 20, 2022**

(54) **SWIMSPA COVER**

(71) Applicant: **HYDROPOOL INC.**, Mississauga
(CA)

(72) Inventor: **Andrew Kenneth MacKay**, Barrie
(CA)

(73) Assignee: **HYDROPOOL INC.**

(**) Term: **15 Years**

(21) Appl. No.: **29/714,842**

(22) Filed: **Nov. 26, 2019**

(51) **LOC (13) Cl.** **23-02**

(52) **U.S. Cl.**
USPC **D24/204**; D25/2

(58) **Field of Classification Search**
USPC D25/2; D8/309, 356, 358, 359;
D24/204, 205; 4/498
CPC E04H 4/00; E04H 4/06; E04H 4/08; E04H
4/082; E04H 4/101; E04H 4/086
See application file for complete search history.

(56) **References Cited**

U.S. PATENT DOCUMENTS

2,958,872	A *	11/1960	Meyer, Jr.	E04H 4/10 4/503
5,068,929	A *	12/1991	Weiner	E04H 4/10 4/503
6,615,417	B1 *	9/2003	Newhard	E04H 4/1236 4/292
D708,753	S *	7/2014	Wright	D24/204
D780,322	S *	2/2017	Gustason	D24/204
2003/0051290	A1 *	3/2003	Marbach	E04H 4/10 4/506
2003/0177570	A1 *	9/2003	St-Hilaire	E04H 4/10 4/498
2006/0205296	A1 *	9/2006	Esson	E04H 4/10 441/69

2007/0095271	A1 *	5/2007	Yang	B63B 17/02 114/361
2011/0119823	A1 *	5/2011	Coenraets	E04H 4/101 4/498
2012/0073039	A1 *	3/2012	Hotaling	E04H 4/10 4/498
2015/0184409	A1 *	7/2015	Karales	E04H 4/10 4/498
2018/0187440	A1 *	7/2018	Vervoort	E04H 4/082

OTHER PUBLICATIONS

Master Spas, Axis Cover System, Feb. 13, 2019, Youtube, <https://www.youtube.com/watch?v=NmnapBWsOtQ> (Year: 2019).*
End 2 End Swim Spa Covers, Mar. 18, 2015, Vimeo, <https://vimeo.com/122573695> (Year: 2015).*

* cited by examiner

Primary Examiner — Brett Miller

(74) *Attorney, Agent, or Firm* — Lorelei G. Graham

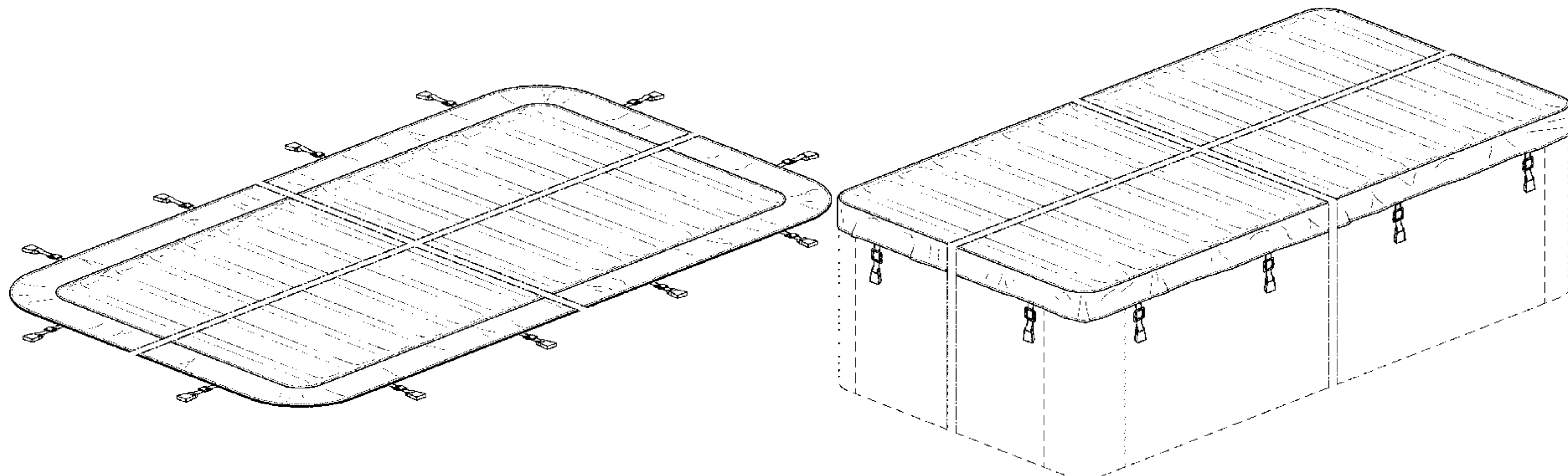
(57) **CLAIM**

The ornamental design for the swimspa cover, as shown and described.

DESCRIPTION

FIG. 1 is a top perspective view of the swimspa cover.
FIG. 2 is a bottom perspective view of the swimspa cover.
FIG. 3 is a top view of the swimspa cover.
FIG. 4 is a bottom view of the swimspa cover.
FIG. 5 is a front view of the swimspa cover.
FIG. 6 is a back view of the swimspa cover.
FIG. 7 is a left side view of the swimspa cover.
FIG. 8 is a right view of the swimspa cover; and,
FIG. 9 is a top perspective view of the swimspa cover in environment.
The broken lines shown in the drawings are for the purpose of illustrating portions of the article that form no part of the claim design.

1 Claim, 6 Drawing Sheets



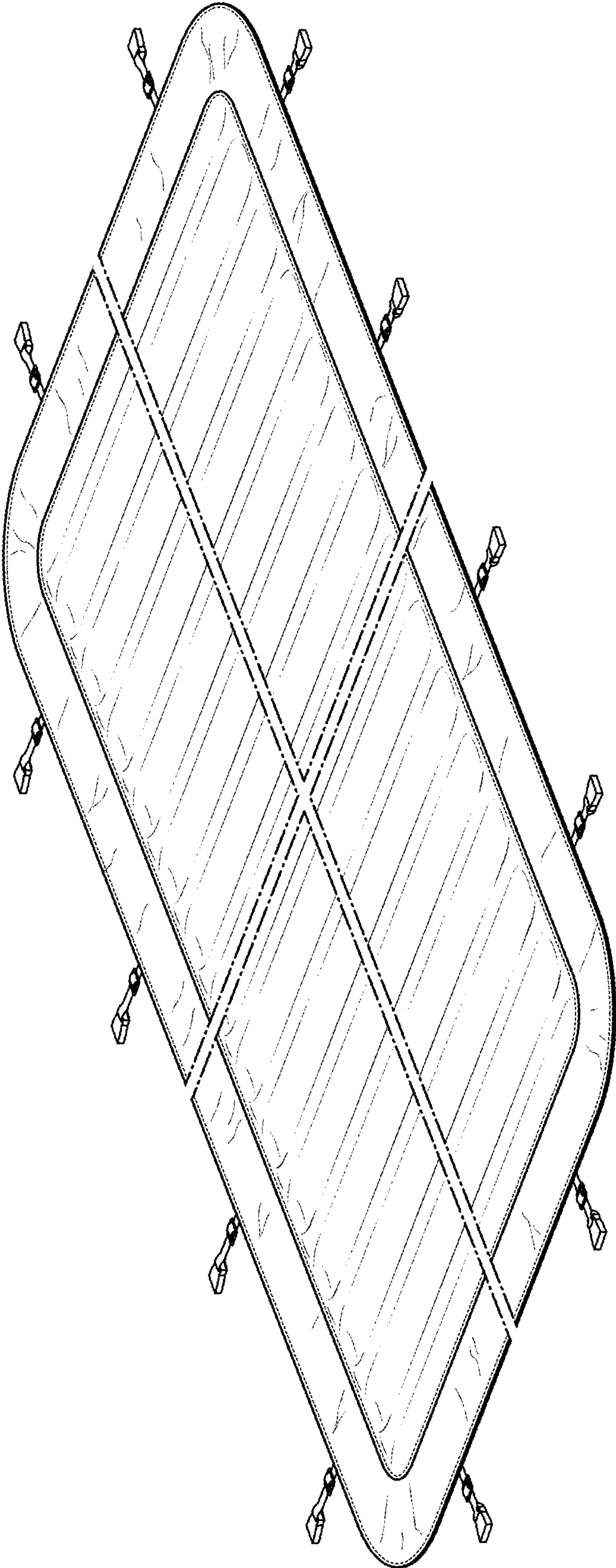


FIG. 1

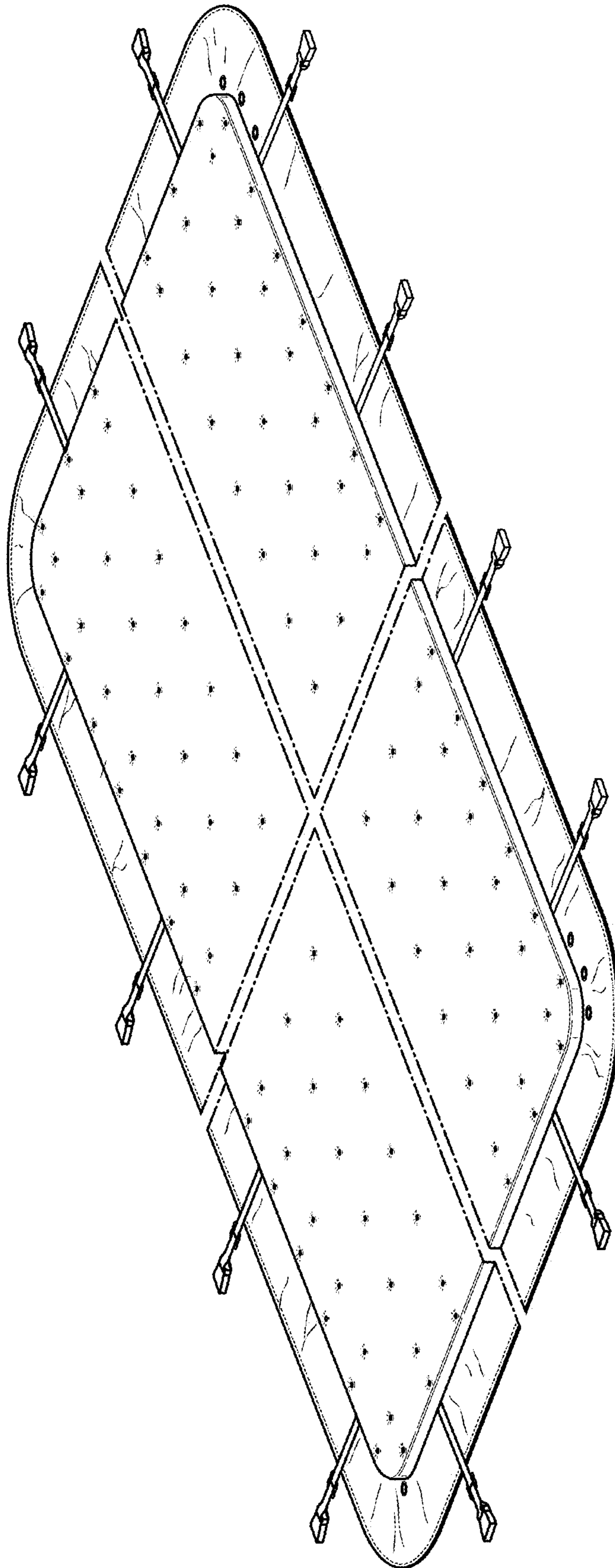


FIG. 2

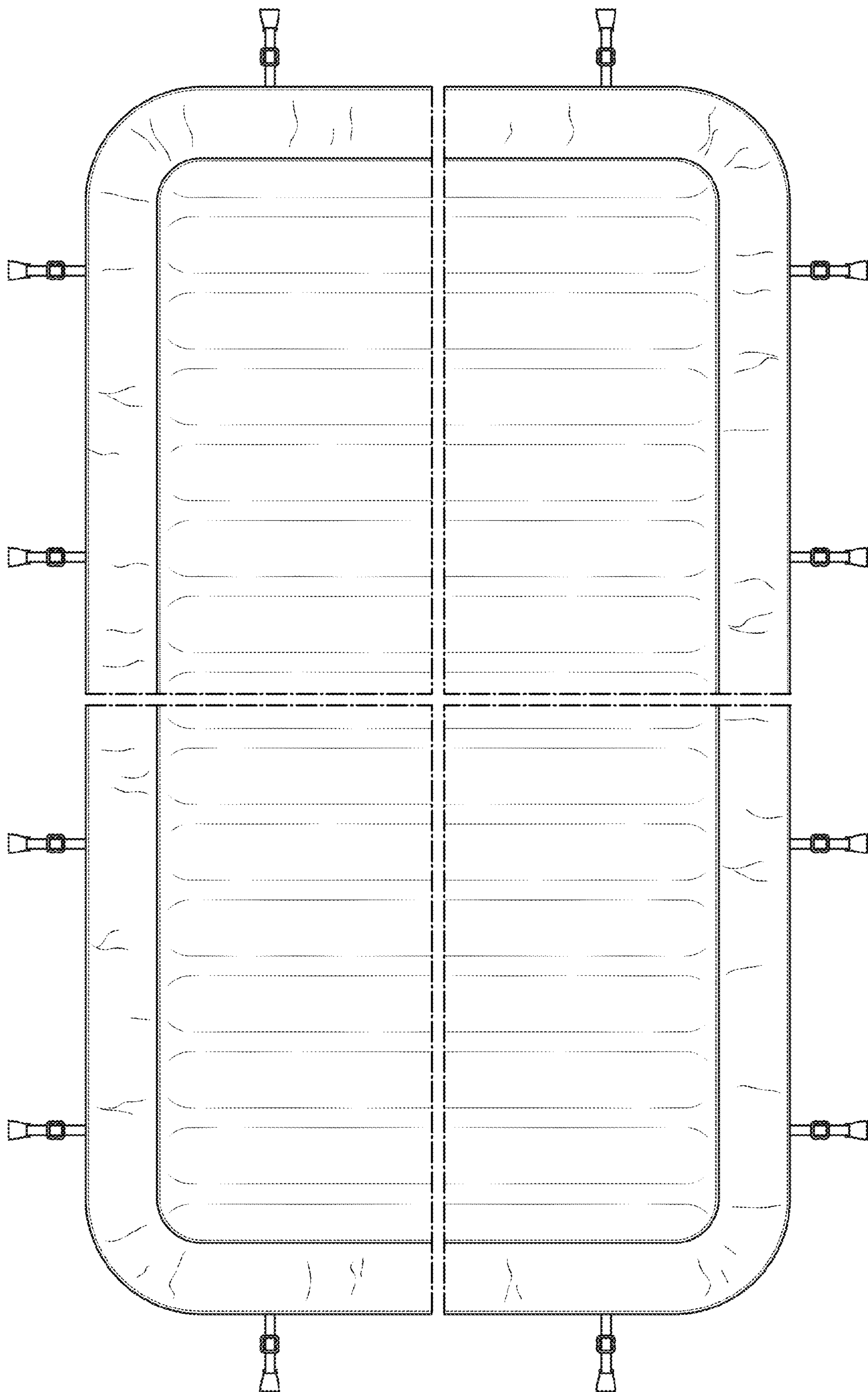


FIG. 3

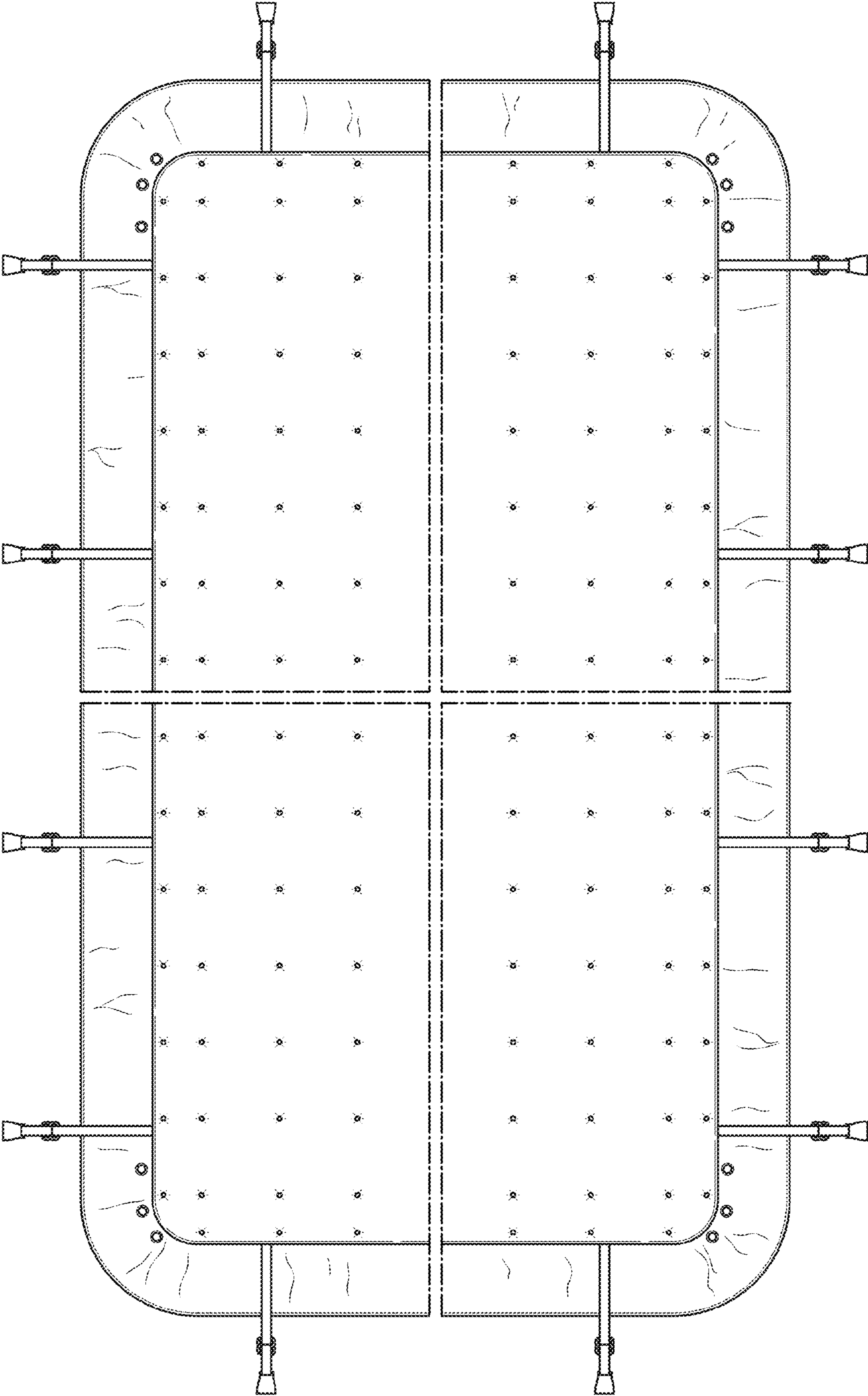


FIG. 4



FIG. 5



FIG. 6

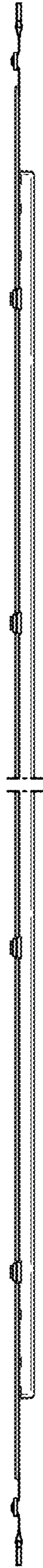


FIG. 7

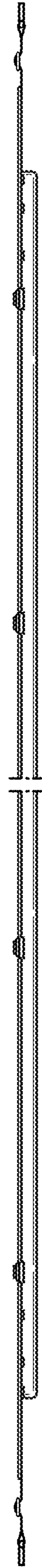


FIG. 8

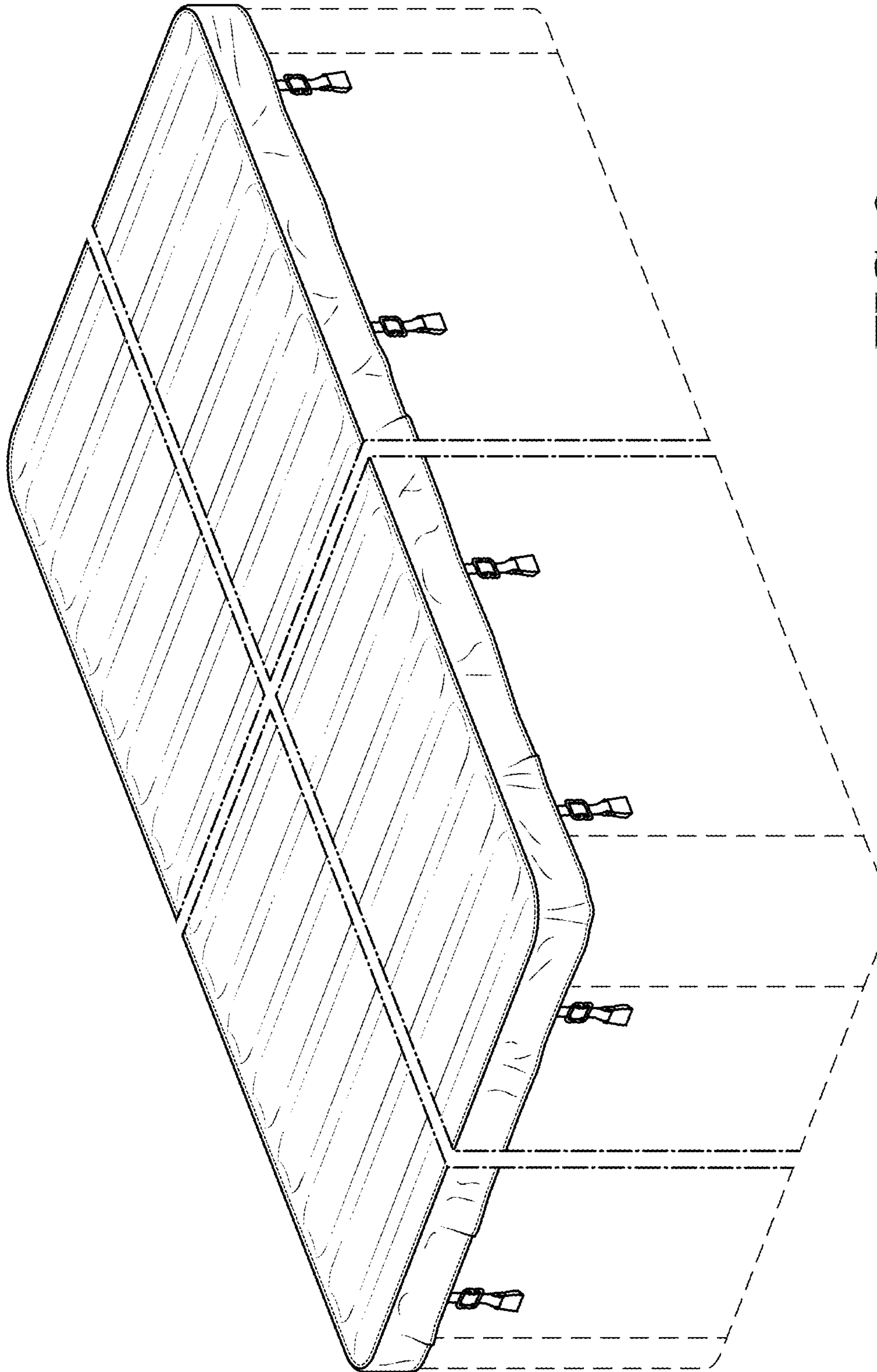


FIG. 9