



US00D973212S

(12) **United States Design Patent** (10) **Patent No.:** **US D973,212 S**  
**Neo** (45) **Date of Patent:** **\*\* Dec. 20, 2022**

(54) **PELVIS BELT**  
(71) Applicant: **Bi Chun Neo**, Singapore (SG)  
(72) Inventor: **Bi Chun Neo**, Singapore (SG)  
(73) Assignee: **Keaworld Pte Ltd.**, Singapore (SG)  
(\*\*) Term: **15 Years**  
(21) Appl. No.: **29/773,410**  
(22) Filed: **Mar. 9, 2021**  
(51) **LOC (13) Cl.** ..... **24-01**  
(52) **U.S. Cl.**  
USPC ..... **D24/190; D2/701**  
(58) **Field of Classification Search**  
USPC ..... D2/624, 627, 628, 629, 631, 634, 635,  
D2/636, 637, 638, 701, 815, 838;  
D24/188, 190, 200; D29/101, 101.3;  
D30/144, 145  
CPC .... A61F 5/02; A61F 5/028; A61F 5/03; A61F  
7/02; A61F 2007/0022; A61F 2007/0023;  
A61F 2007/0025; A61F 2007/0026; A61F  
2007/0027; A41F 9/002; A41F 9/02;  
A41F 9/025; A41F 11/16; A41F 13/00;  
A41F 17/04  
See application file for complete search history.

(56) **References Cited**  
U.S. PATENT DOCUMENTS  
D349,767 S \* 8/1994 Courtet ..... D24/190  
D353,890 S \* 12/1994 McKeel ..... D24/190  
5,399,151 A \* 3/1995 Smith ..... A61F 5/028  
602/5  
D375,186 S \* 11/1996 Kim ..... D29/100  
6,336,908 B1 \* 1/2002 Slautterback ..... A41F 9/002  
2/312  
D499,846 S \* 12/2004 Cesko ..... D29/101.5  
7,077,794 B1 \* 7/2006 Bray ..... A63B 71/12  
482/111

7,449,006 B2 \* 11/2008 Wolanske ..... A61F 5/028  
128/100.1  
D601,705 S \* 10/2009 Bauerfeind ..... D24/189  
D626,244 S \* 10/2010 Sagnip ..... D24/190  
(Continued)

**FOREIGN PATENT DOCUMENTS**

KR 301024242.0000 \* 9/2019

**OTHER PUBLICATIONS**

HSMaLian Pelvis Belt Postpartum Pelvic Recovery Belt, First available: Dec. 8, 2021 [online], [visited: Aug. 18, 2022] Available from the internet URL: [https://www.amazon.com/dp/B09N98M9F5?\\_encoding=UTF8&psc=1&ref\\_=cm\\_sw\\_r\\_cp\\_ud\\_dp\\_YBSB04YMB0TEASC3JWNP](https://www.amazon.com/dp/B09N98M9F5?_encoding=UTF8&psc=1&ref_=cm_sw_r_cp_ud_dp_YBSB04YMB0TEASC3JWNP) (Year: 2021).\*

(Continued)

*Primary Examiner* — Jonathan J Han  
*Assistant Examiner* — Jeff Lenard D Torres  
(74) *Attorney, Agent, or Firm* — Andrew S. Rapacke

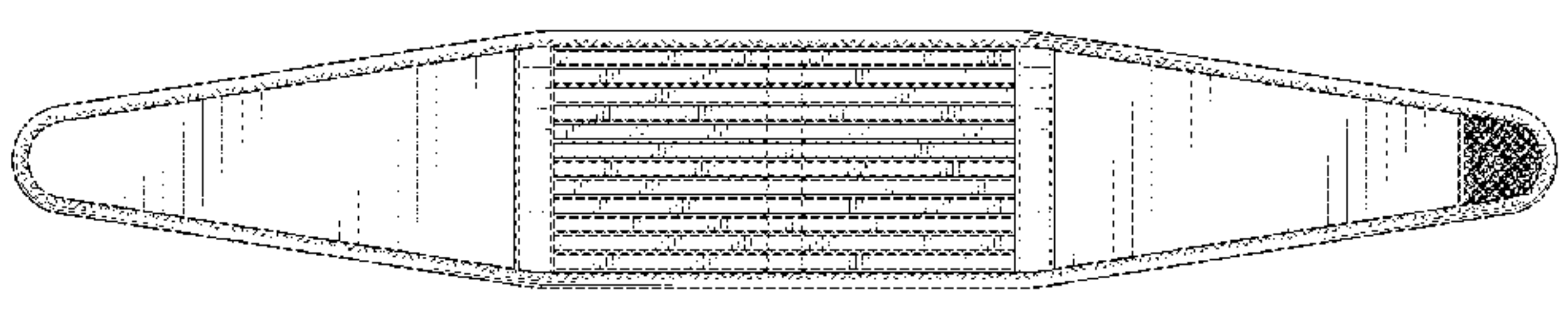
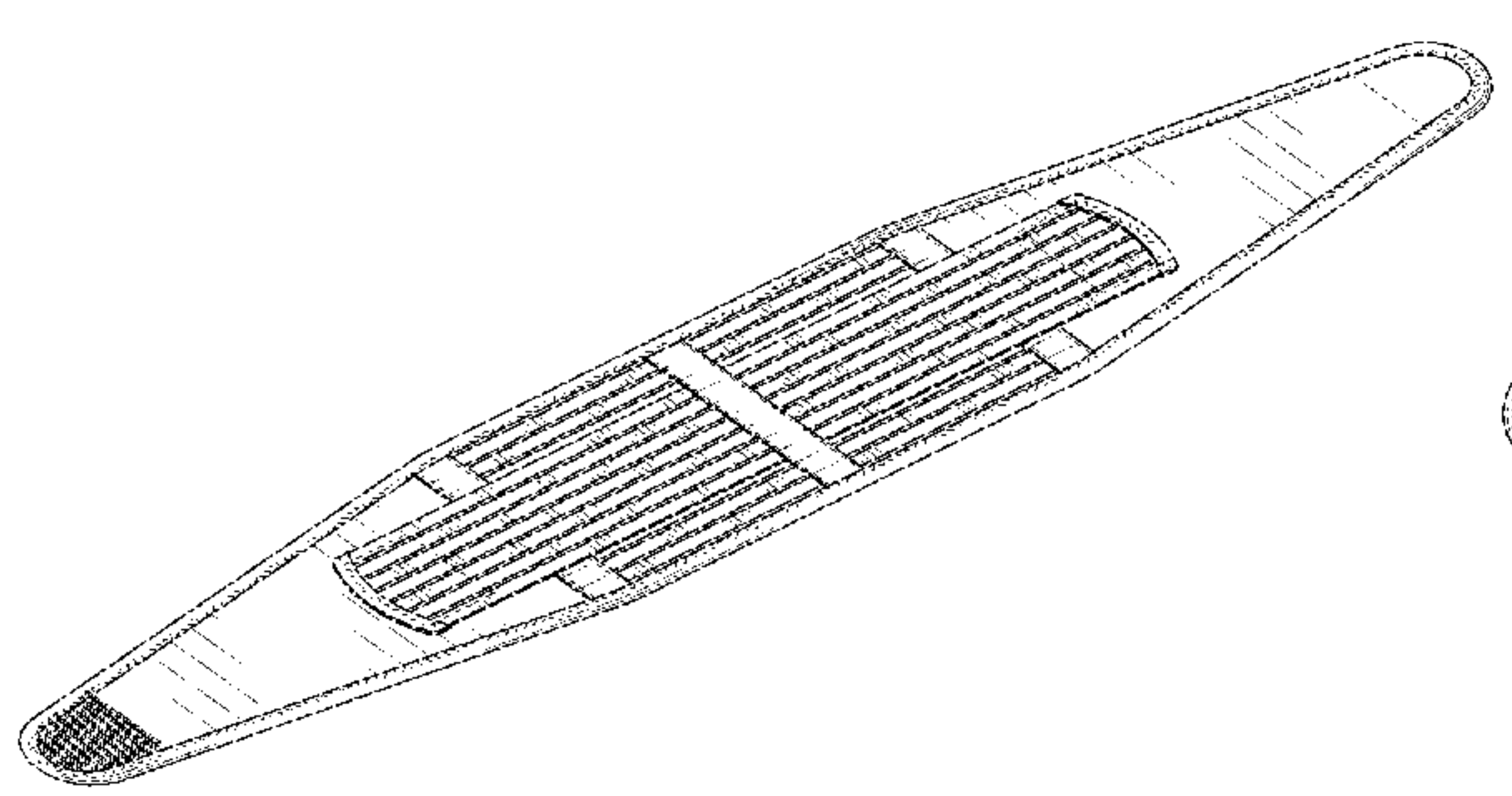
(57) **CLAIM**

The ornamental design for a pelvis belt, as shown and described.

**DESCRIPTION**

FIG. 1 is a perspective view of a pelvis belt, showing the new design;  
FIG. 2 is a front elevational view of the pelvis belt thereof;  
FIG. 3 is a rear elevational view of the pelvis belt thereof;  
FIG. 4 is a right side elevational view of the pelvis belt thereof;  
FIG. 5 is a left side elevational view of the pelvis belt thereof;  
FIG. 6 is a top plan view of the pelvis belt thereof; and,  
FIG. 7 is a bottom plan view of the pelvis belt thereof.  
The broken lines in the figure views depict stitching, which does form a part of the claimed design.

**1 Claim, 3 Drawing Sheets**



(56)

References Cited

U.S. PATENT DOCUMENTS

D638,948 S \* 5/2011 Janzon ..... D24/190  
 D660,439 S \* 5/2012 Chen ..... D24/190  
 9,402,758 B2 \* 8/2016 Matsuo ..... A61F 5/03  
 D789,546 S \* 6/2017 Matfus ..... D24/190  
 D813,320 S \* 3/2018 Delarosa ..... D21/662  
 D826,516 S \* 8/2018 Vopni ..... D2/624  
 D831,221 S \* 10/2018 Smith ..... D24/190  
 D860,466 S \* 9/2019 Chiang ..... D24/190  
 D884,199 S \* 5/2020 Mei ..... D24/190  
 D884,200 S \* 5/2020 Mei ..... D24/190  
 10,888,448 B2 \* 1/2021 Tsuchiya ..... A61F 5/02  
 D914,891 S \* 3/2021 Langberg ..... D2/702  
 D916,298 S \* 4/2021 Langberg ..... D2/702  
 D917,054 S \* 4/2021 Woo ..... D24/190  
 D920,523 S \* 5/2021 Lin ..... D24/190  
 D932,635 S \* 10/2021 Ghaffari ..... D29/100  
 D937,427 S \* 11/2021 Li ..... D24/190  
 D947,389 S \* 3/2022 Ye ..... D24/188  
 D957,654 S \* 7/2022 Savchuk ..... D24/190  
 D960,490 S \* 8/2022 Zheng ..... D2/702

2008/0171955 A1\* 7/2008 Jaccard ..... A61F 5/028  
 602/19  
 2009/0326427 A1\* 12/2009 Kawahara ..... A61F 5/028  
 602/19  
 2013/0087141 A1\* 4/2013 Williams ..... A61F 5/028  
 128/100.1

OTHER PUBLICATIONS

Healthcom 3 in 1 Postpartum Support Recovery Belt, First available: Dec. 30, 2015 [online], [visited: Aug. 18, 2022] Available from the internet URL: [https://www.amazon.com/dp/B019YZAO7K?ref\\_cm\\_sw\\_r\\_cp\\_ud\\_dp\\_VVRPX475Y6WSJ5Q6DND5](https://www.amazon.com/dp/B019YZAO7K?ref_cm_sw_r_cp_ud_dp_VVRPX475Y6WSJ5Q6DND5) (Year: 2015).\*

Honey\$Homey Pelvic Recovery Belt, First available: Jan. 29, 2018 [online], [visited: Aug. 18, 2022] Available from the internet URL: [https://www.amazon.com/dp/B078PTS3NK?ref\\_cm\\_sw\\_r\\_cp\\_ud\\_dp\\_23406554J2Q1SRXVW61Y](https://www.amazon.com/dp/B078PTS3NK?ref_cm_sw_r_cp_ud_dp_23406554J2Q1SRXVW61Y) (Year: 2018).\*

Yeetree 3 in 1 Postpartum Belly Band Support, First available: Sep. 23, 2020 [online], [visited: Aug. 18, 2022] Available from the internet URL: [https://www.amazon.com/dp/B08JT5JNQG?ref\\_cm\\_sw\\_r\\_cp\\_ud\\_dp\\_FC4SZAQ06WKF4JW11EBG&th=1](https://www.amazon.com/dp/B08JT5JNQG?ref_cm_sw_r_cp_ud_dp_FC4SZAQ06WKF4JW11EBG&th=1) (Year: 2020).\*

\* cited by examiner

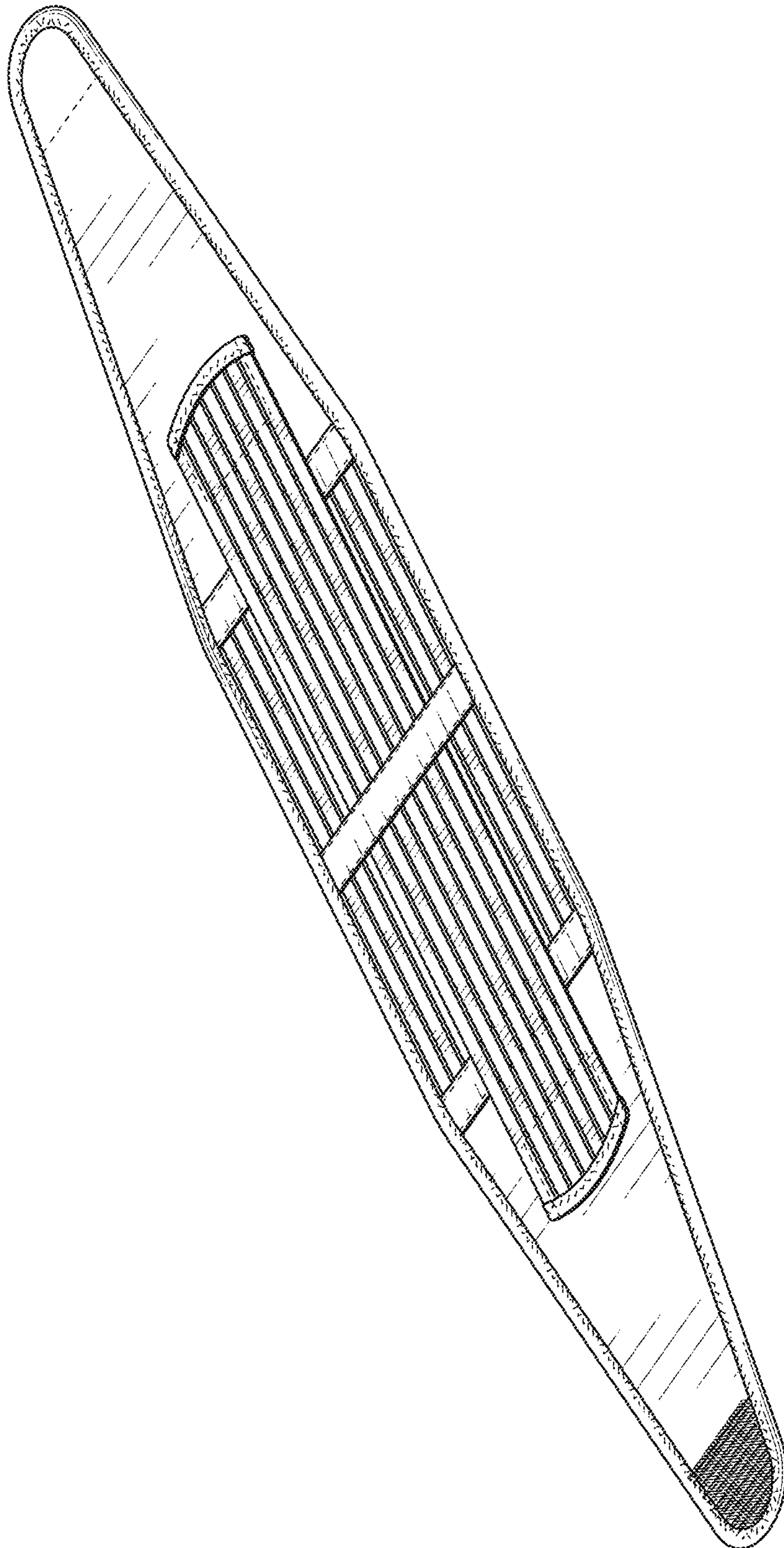


FIG. 1



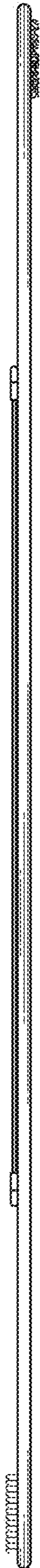


FIG. 2



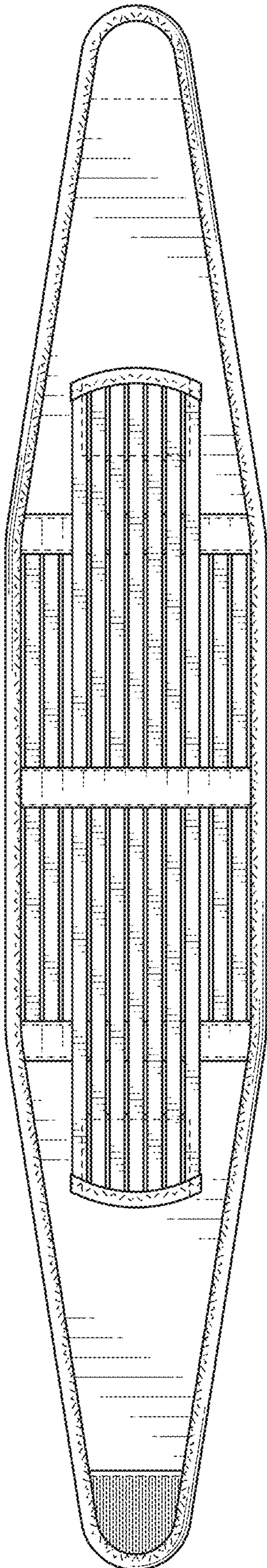
FIG. 3



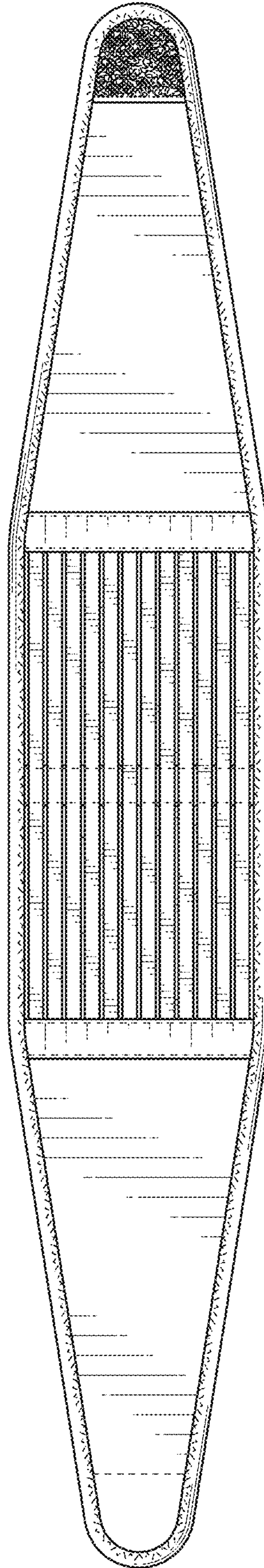
FIG. 4



FIG. 5



*FIG. 6*



*FIG. 7*