



US00D973209S

(12) **United States Design Patent**
Han et al.

(10) **Patent No.:** **US D973,209 S**

(45) **Date of Patent:** **** Dec. 20, 2022**

- (54) **WIRELESS PROBE**
- (71) Applicant: **OLIVE HEALTHCARE INC.**, Seoul (KR)
- (72) Inventors: **Sung Ho Han**, Seoul (KR); **Suk Jin Choi**, Seoul (KR); **Ji Yong Park**, Suwon-si (KR); **Soon Hyun Ban**, Seoul (KR)
- (73) Assignee: **OLIVE HEALTHCARE INC.**, Seoul (KR)

D497,995 S *	11/2004	Baily	D24/186
D566,284 S *	4/2008	Kitayama	D24/186
D603,520 S *	11/2009	Ninomiya	D24/187
D684,265 S *	6/2013	Cadera	D24/187
D699,360 S *	2/2014	Marzynski	D24/186
D737,447 S *	8/2015	Fluxman	D24/169
D800,320 S *	10/2017	Nishikawa	D24/186
D887,559 S *	6/2020	Esfandiari	D24/186
D901,015 S *	11/2020	Zhuang	D24/167
D906,526 S *	12/2020	Wade	D24/186
D950,081 S *	4/2022	Lam	D24/200

* cited by examiner

(**) Term: **15 Years**

Primary Examiner — Omeed Agilee

(21) Appl. No.: **29/774,387**

(74) *Attorney, Agent, or Firm* — Cantor Colburn LLP

(22) Filed: **Mar. 16, 2021**

(30) **Foreign Application Priority Data**

Oct. 8, 2020 (KR) 30-2020-0048337

(51) **LOC (13) Cl.** **24-02**

(52) **U.S. Cl.**
USPC **D24/187**

(58) **Field of Classification Search**
USPC D24/107, 133, 137, 138, 141, 147,
D24/158–161, 164, 165, 167, 170,
D24/185–187; D23/332, 370; D15/144
CPC A61B 17/0469; A61B 17/0482; A61B
8/0437; A61B 8/0883; A61B 8/00; A61B
5/00; G01R 1/06772; G01R 1/067
See application file for complete search history.

(56) **References Cited**

U.S. PATENT DOCUMENTS

D254,806 S *	4/1980	Kitai	D10/85
D400,249 S *	10/1998	Holubar	D24/186

(57) **CLAIM**

The ornamental design for a wireless probe, as shown and described.

DESCRIPTION

FIG. 1 is a perspective view of a wireless probe showing our new design;

FIG. 2 is a front elevational view thereof;

FIG. 3 is a rear elevational view thereof;

FIG. 4 is a left side elevational view thereof;

FIG. 5 is a right side elevational view thereof;

FIG. 6 is a top plan view thereof; and,

FIG. 7 is a bottom plan view thereof.

The broken lines depict portions of the wireless probe that form no part of the claimed design.

1 Claim, 4 Drawing Sheets

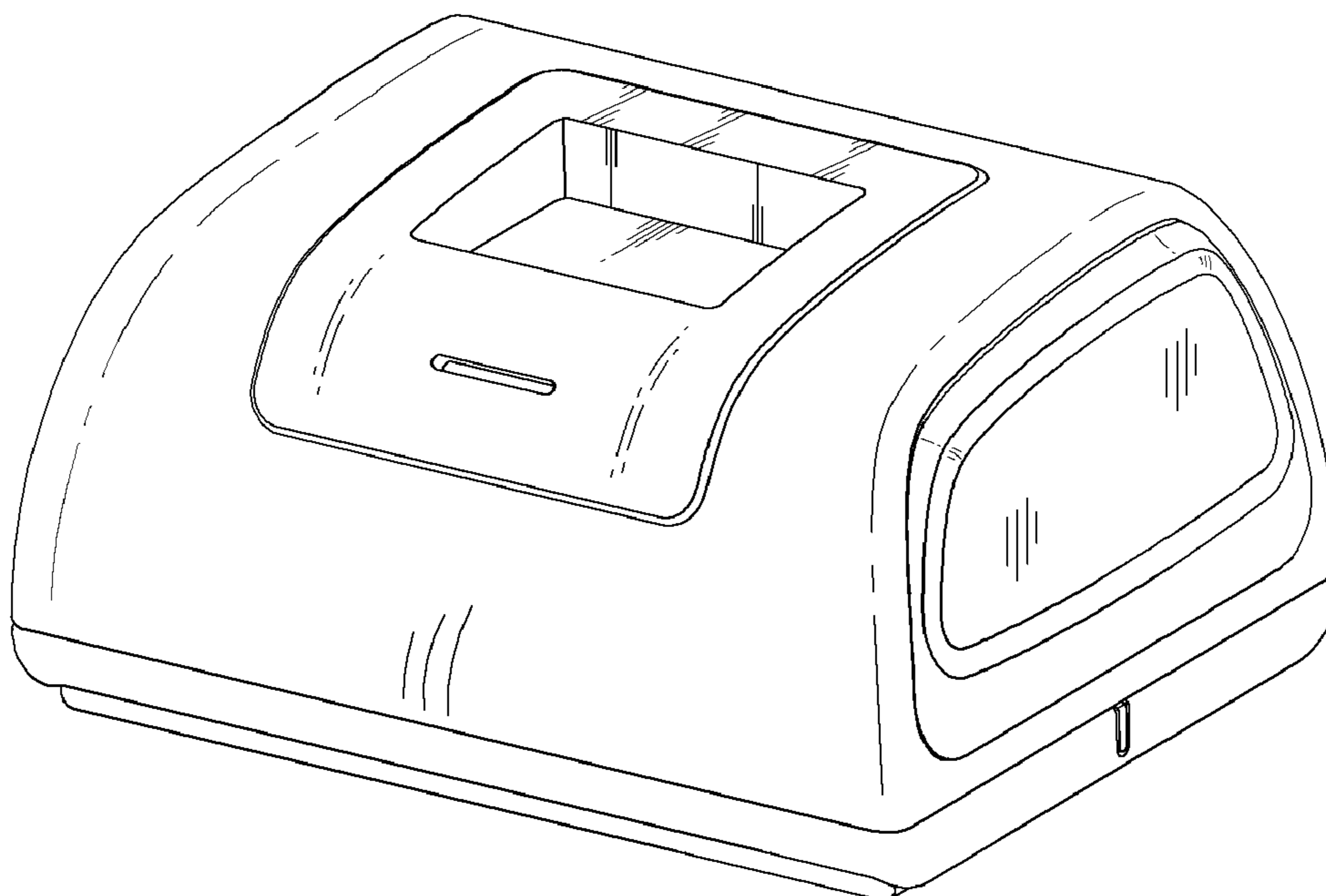


FIG. 1

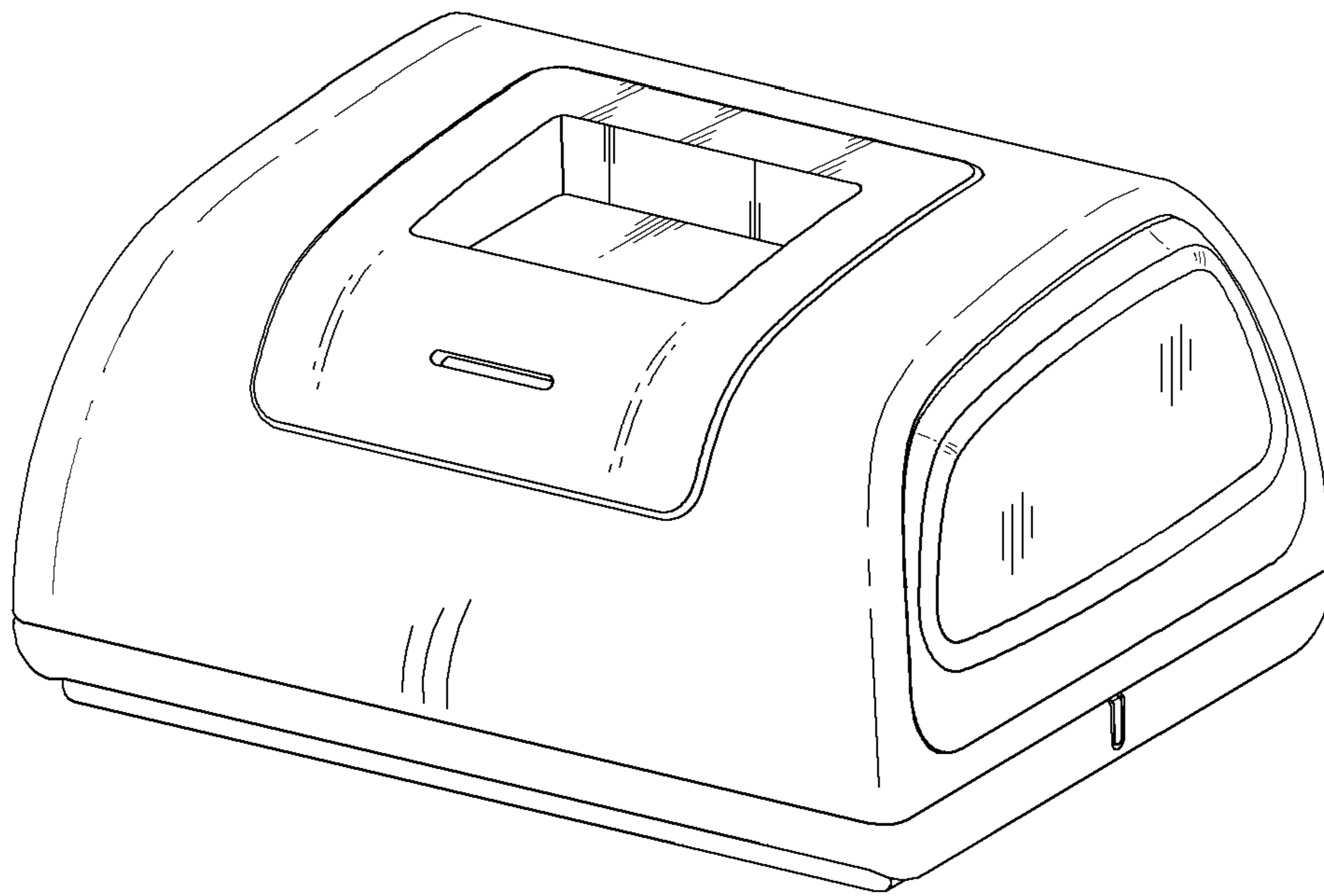


FIG. 2

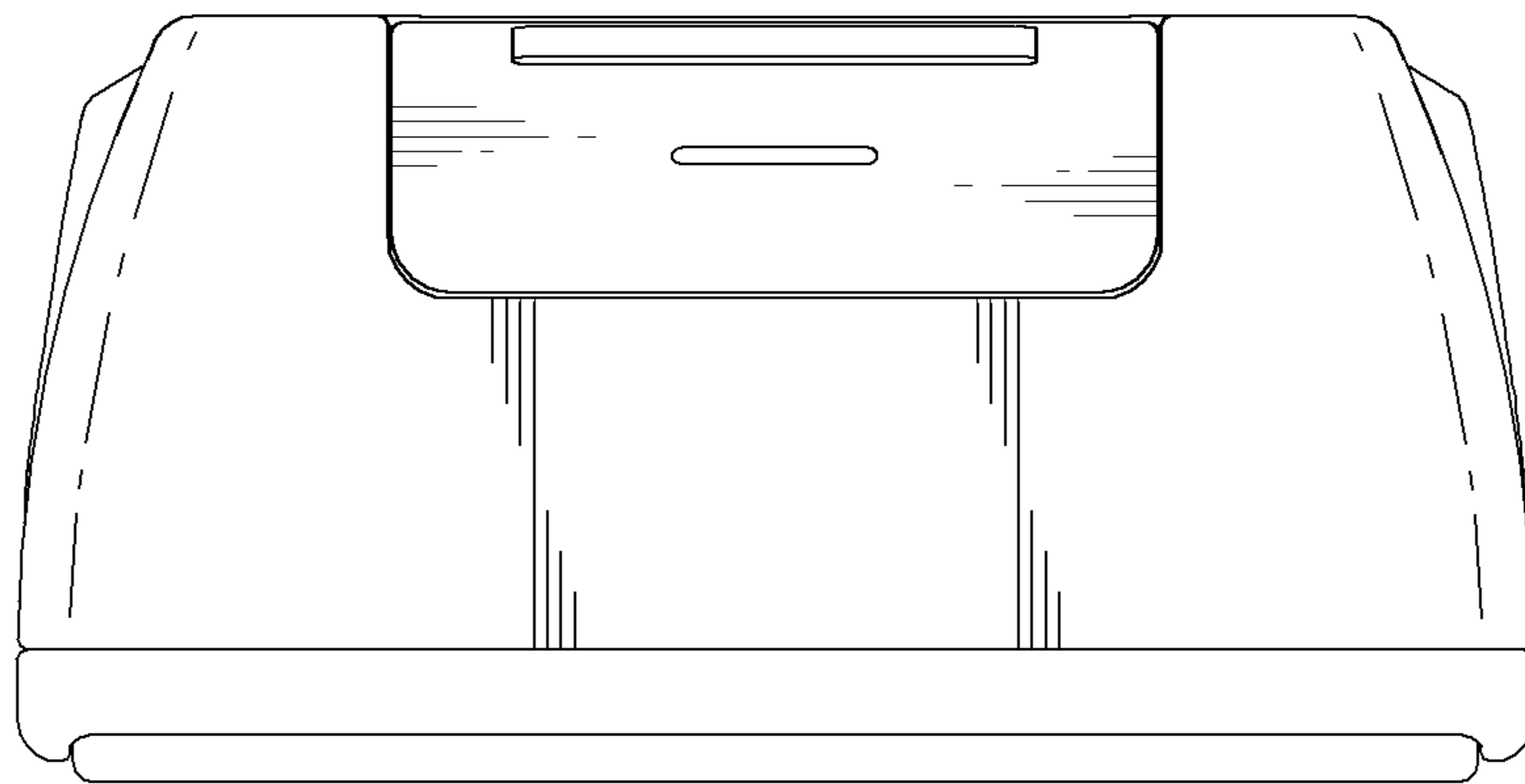


FIG. 3

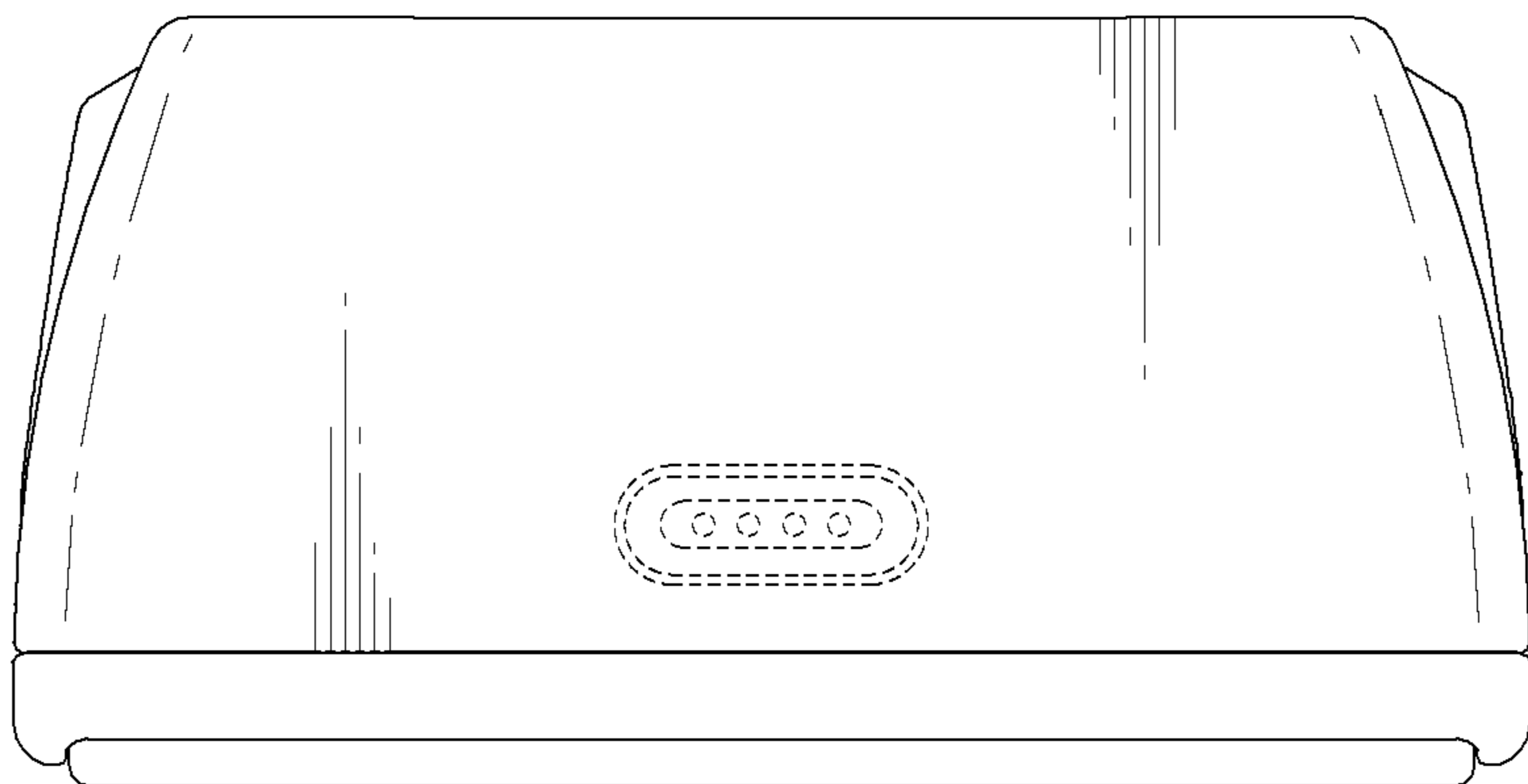


FIG. 4

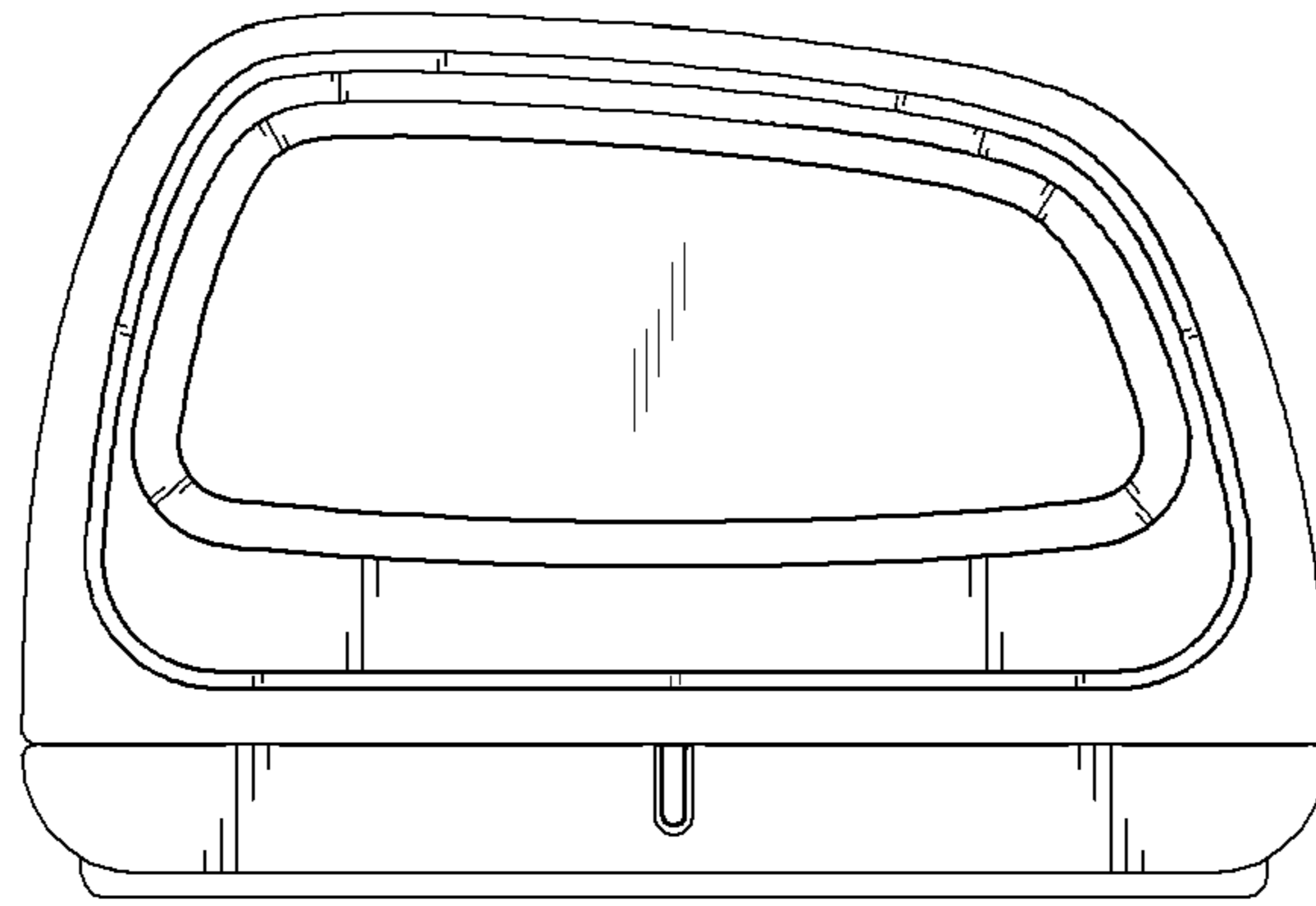


FIG. 5

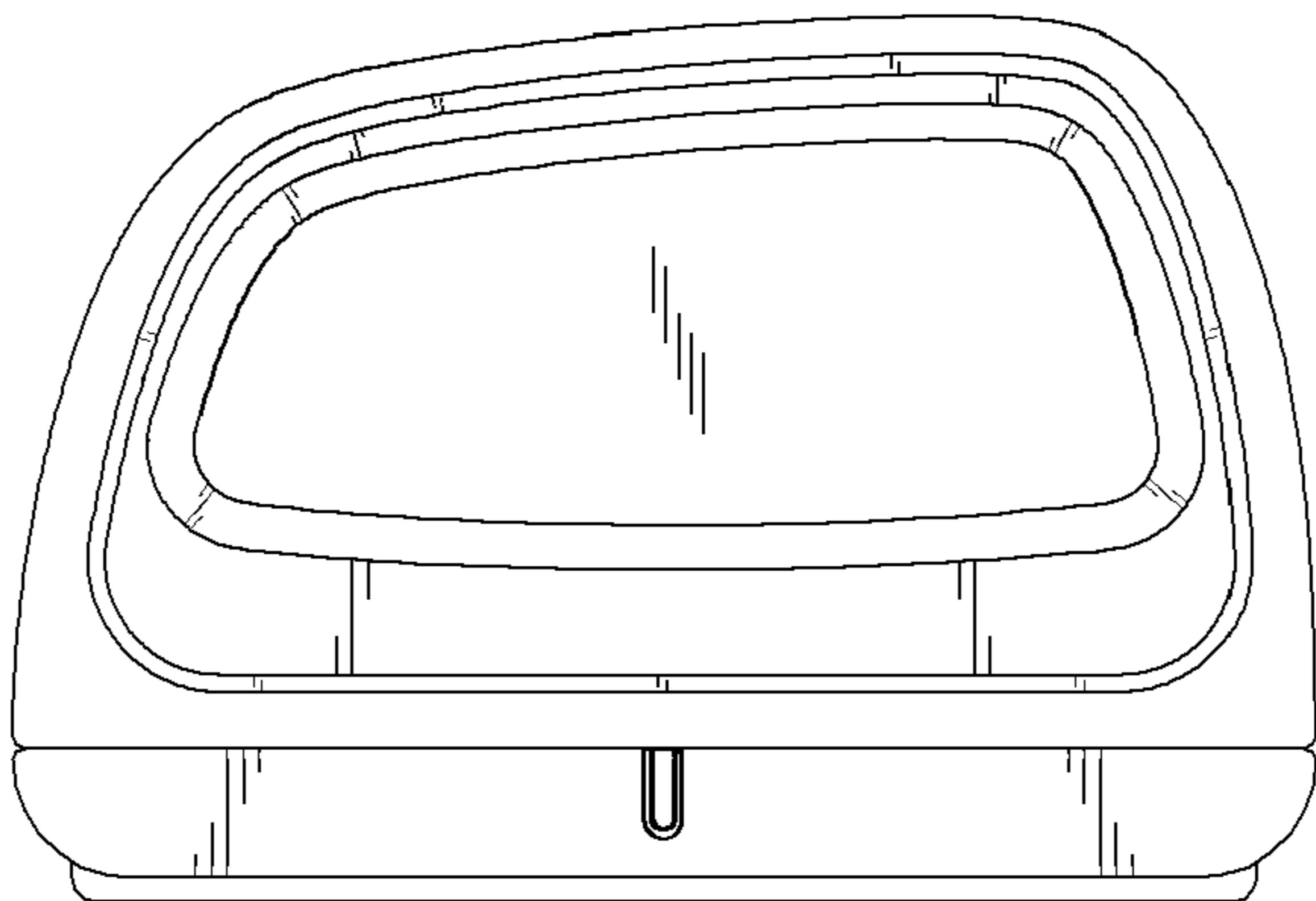


FIG. 6

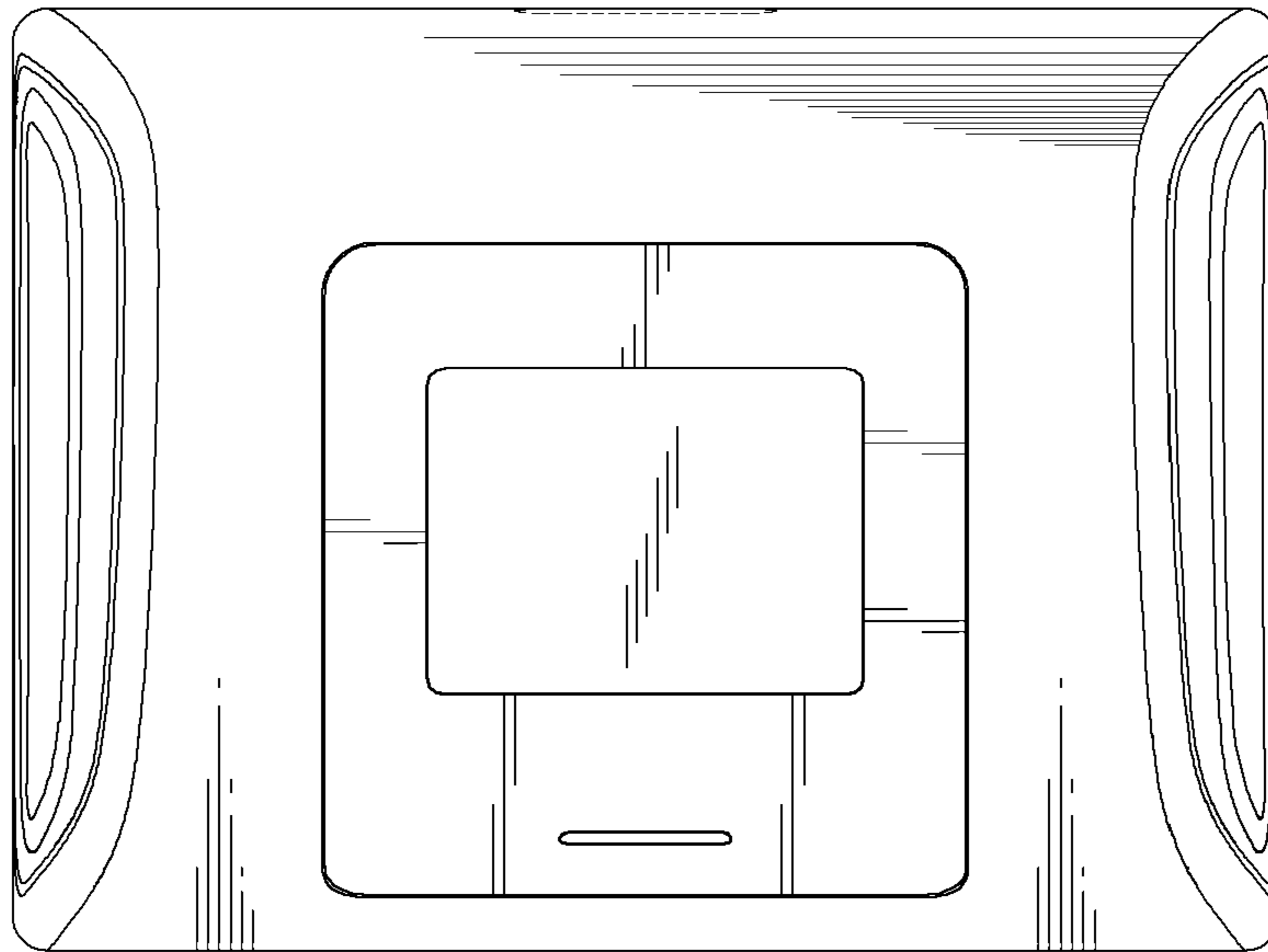


FIG. 7

