



US00D973204S

(12) **United States Design Patent**
Green

(10) **Patent No.:** **US D973,204 S**

(45) **Date of Patent:** **** Dec. 20, 2022**

(54) **DENTAL TOOL**

(71) Applicant: **Richard Green**, Pacific Palisades, CA
(US)

(72) Inventor: **Richard Green**, Pacific Palisades, CA
(US)

(**) Term: **15 Years**

(21) Appl. No.: **29/779,262**

(22) Filed: **Apr. 18, 2021**

(51) **LOC (13) Cl.** **24-02**

(52) **U.S. Cl.**

USPC **D24/152**

(58) **Field of Classification Search**

USPC D24/209, 152-154, 200, 211-215, 133,
D24/188, 107, 231, 127, 176-177, 182,
D24/139; D10/57; D28/58-59, 62

CPC A61B 2017/00761; A61B 2017/306; A61B
2017/00747; A61B 2217/005; A61B
2018/00452; A61B 2017/00734; A61B
2017/320012; A61B 1/253; A61B

1/00068; A61B 1/00128; A61B 1/00091;
A61B 1/015; A61B 1/126; A61N 5/0616;
A61H 35/04; A61H 7/003; A61H 7/004;
A61H 7/008; A61H 7/00; A61M 1/00;
A45D 2200/1054; A46B 2200/102

See application file for complete search history.

(56) **References Cited**

U.S. PATENT DOCUMENTS

D49,646 S * 9/1916 Gayle D24/139
D468,428 S * 1/2003 Wong D24/139
D486,911 S * 2/2004 Willat D24/152
D741,935 S * 10/2015 Sundheim D16/208
9,636,008 B1 * 5/2017 Elazar A61B 5/061
D866,764 S * 11/2019 Pukall D26/38

D879,291 S * 3/2020 Elazar D24/139
D890,336 S * 7/2020 Lee D24/139
D923,790 S * 6/2021 Elazar D24/139
D924,402 S * 7/2021 Elazar D24/139
D928,960 S * 8/2021 Elazar D24/139
2005/0227198 A1 * 10/2005 Martin A61C 5/44
433/31
2010/0279249 A1 * 11/2010 Lin A61B 1/247
433/30
2017/0119239 A1 * 5/2017 Ahn A61B 1/126
2018/0263483 A1 * 9/2018 Elazar A61B 1/00027
2020/0345129 A1 * 11/2020 Schwarz A46B 13/008
2021/0145539 A1 * 5/2021 Greve A61H 37/00

OTHER PUBLICATIONS

Mouth mirror with lamp, battery included, ekulf.com, [online], [site visited May 6, 2022], Available from internet URL: <https://ekulf.com/eu/home/74-munspegel-med-lampa.html> (Year: 2022).*

(Continued)

Primary Examiner — Samantha Q Lawrence

Assistant Examiner — Holly M Rodriguez

(74) *Attorney, Agent, or Firm* — Kumar Maheshwari

(57)

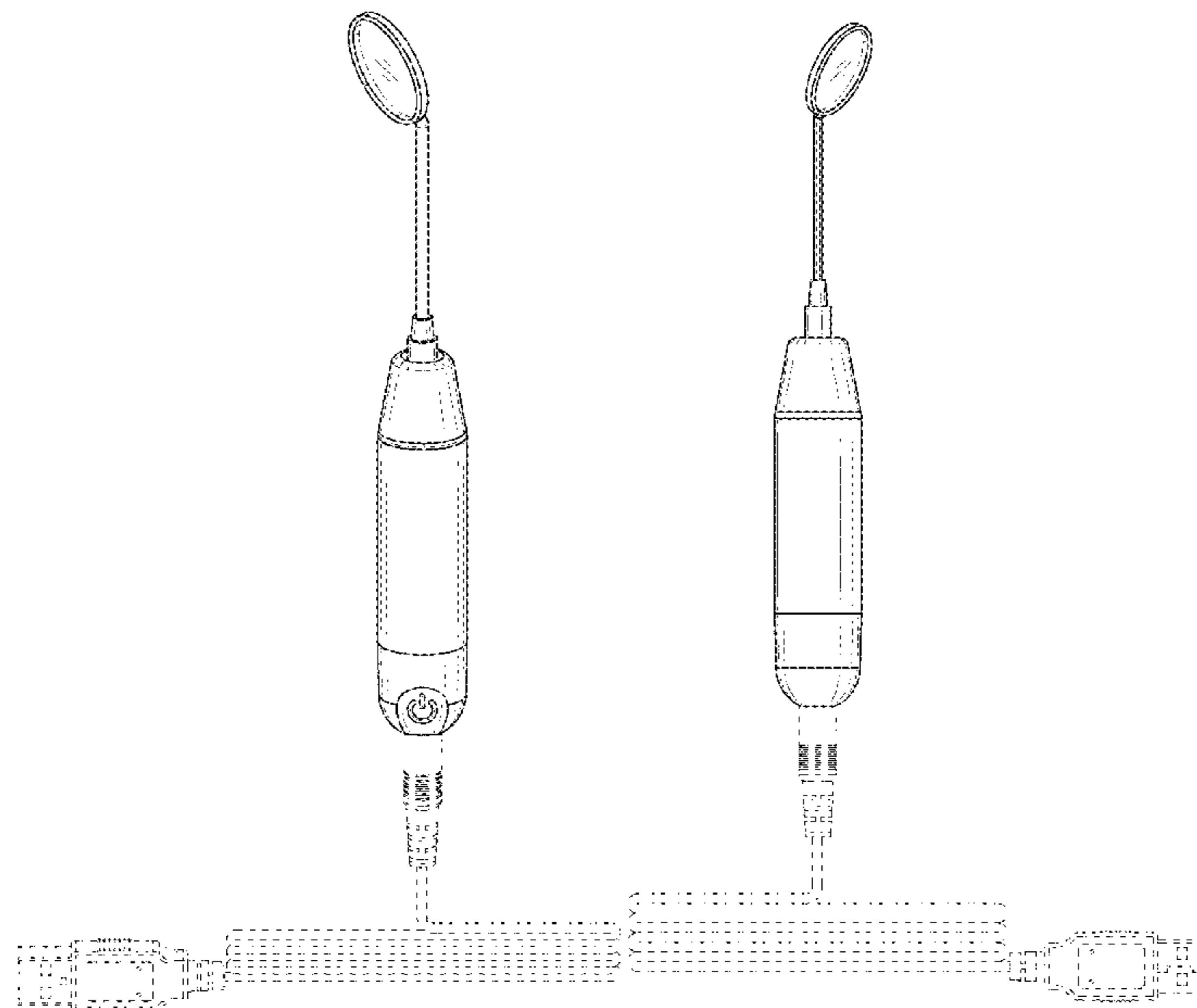
CLAIM

The ornamental design for a dental tool, as shown and described.

DESCRIPTION

FIG. 1 is a perspective view of the claimed design;
FIG. 2 is a front view of the claimed design;
FIG. 3 is a back view of the claimed design;
FIG. 4 is a left side view of the claimed design;
FIG. 5 is a right side view of the claimed design;
FIG. 6 is a top view of the claimed design; and,
FIG. 7 is a bottom view of the claimed design.
The broken lines shown in FIGS. 1-7 illustrate portions of the dental tool that form no part of the claimed design.

1 Claim, 5 Drawing Sheets



(56)

References Cited

OTHER PUBLICATIONS

MirrorLite Illuminated Mouth Mirror from Defend by MyDent International, dentalcompare.com, [online], [site visited May 6, 2022], Available from internet URL: <https://www.dentalcompare.com/4817-Dental-Mirror-Light-Systems/40420-MirrorLite-Illuminated-Mouth-Mirror/> (Year: 2022).*

Dental Mirror Inspect Instrument Oral Anti-fog Mouth Oral Clean Tools Kit C2G, first available Mar. 8, 2022, ebay.com, [online], [site visited May 6, 2022], Available from internet URL: <https://www.ebay.com/itm/275201337398> (Year: 2022).*

* cited by examiner

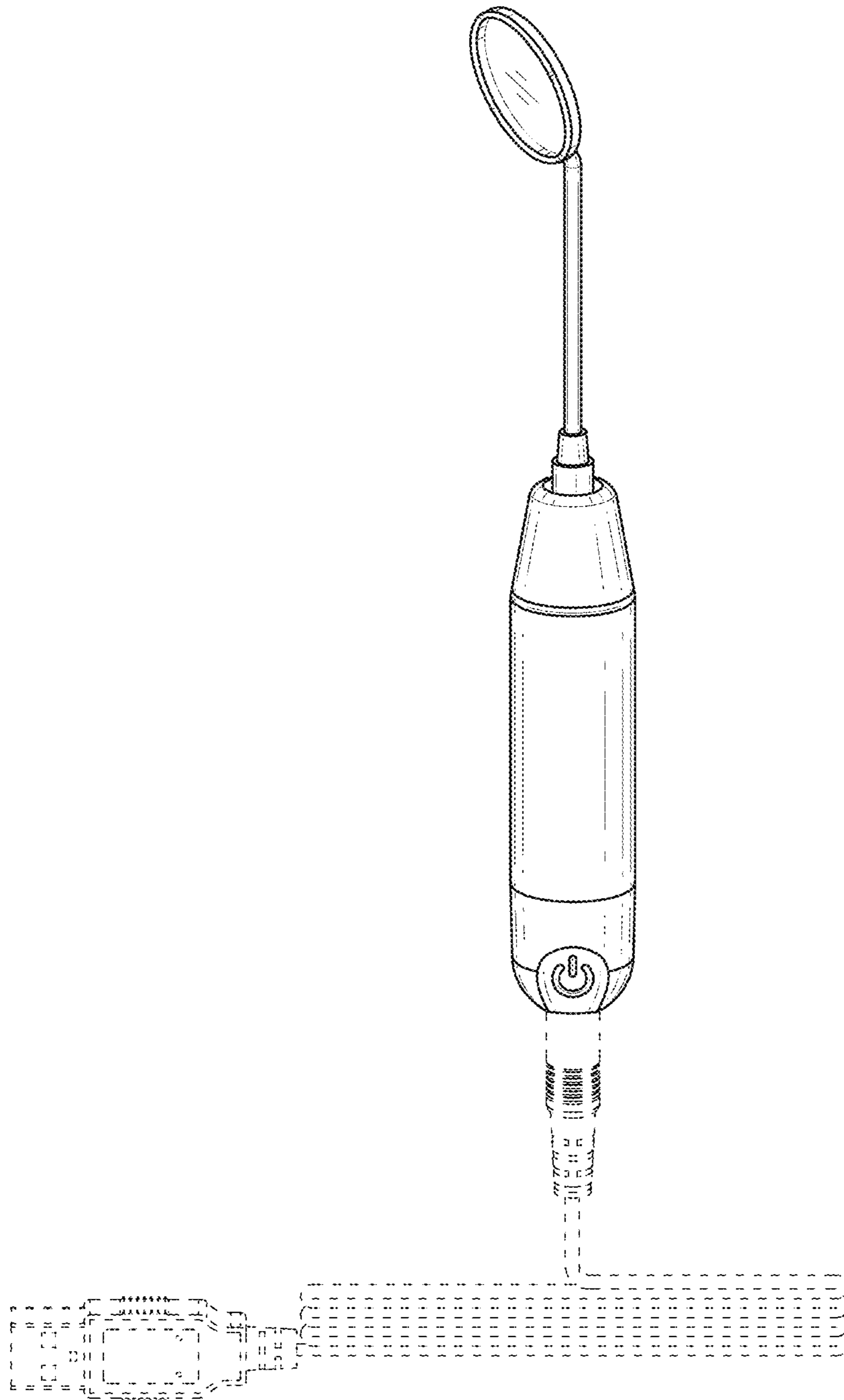


FIG. 1

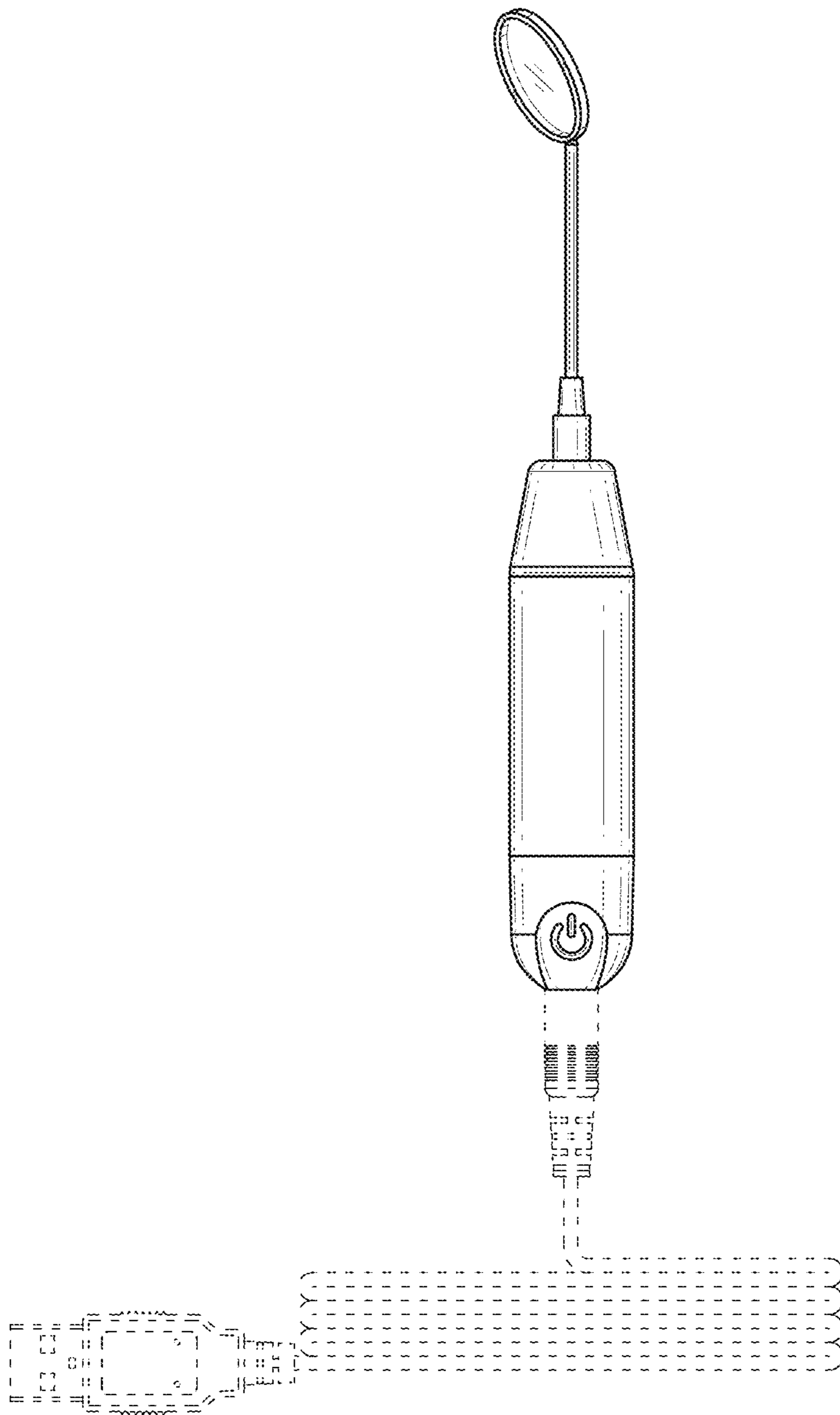


FIG. 2

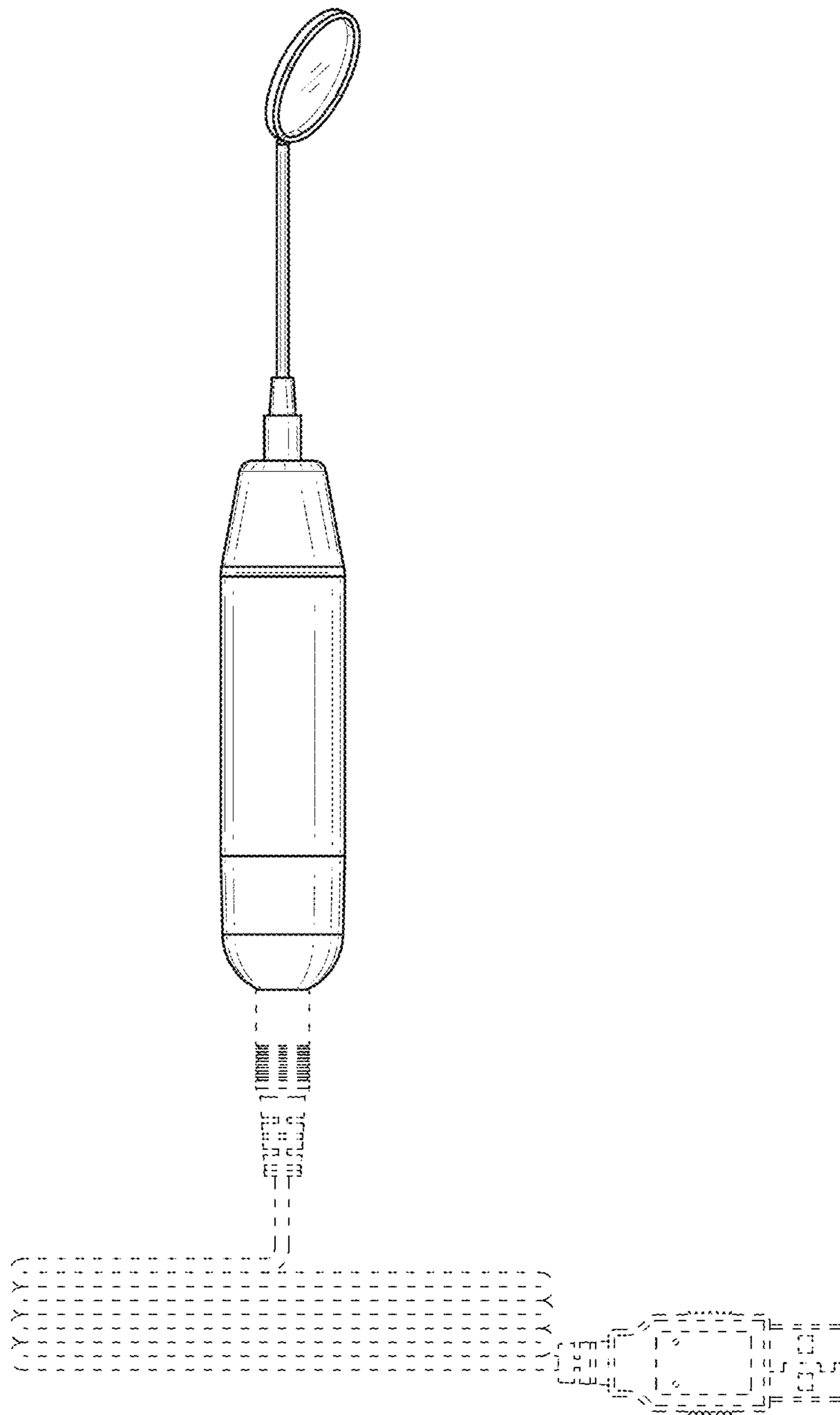


FIG. 3

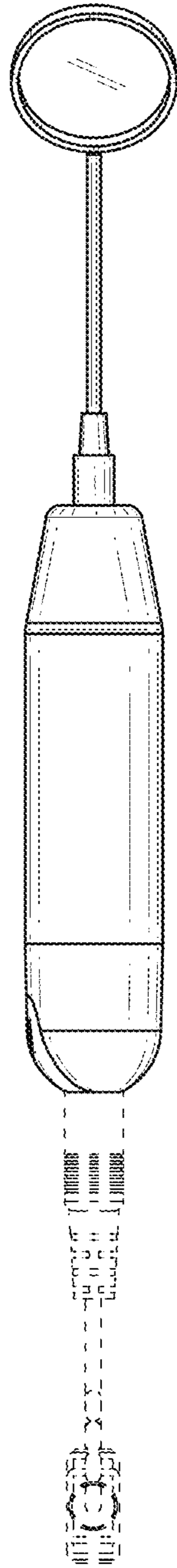


FIG. 4

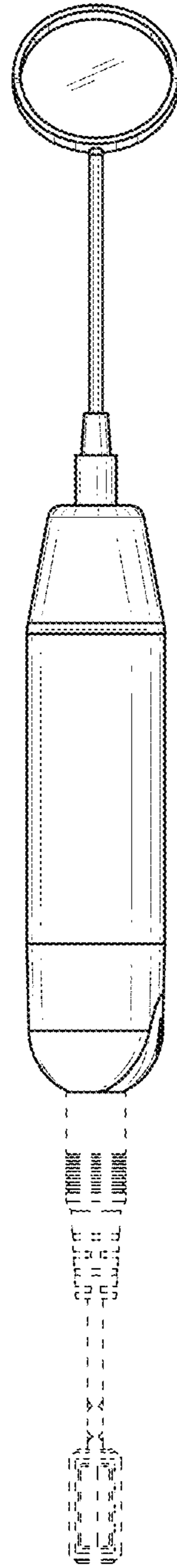


FIG. 5

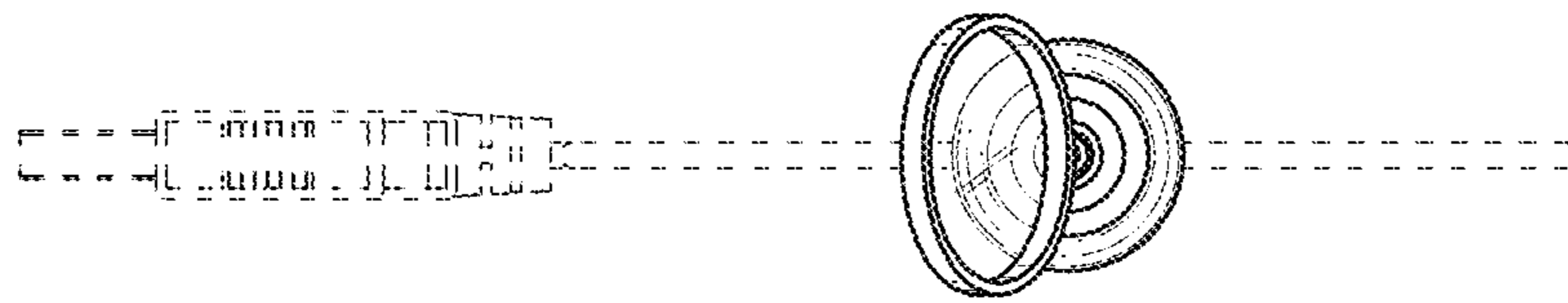


FIG. 6

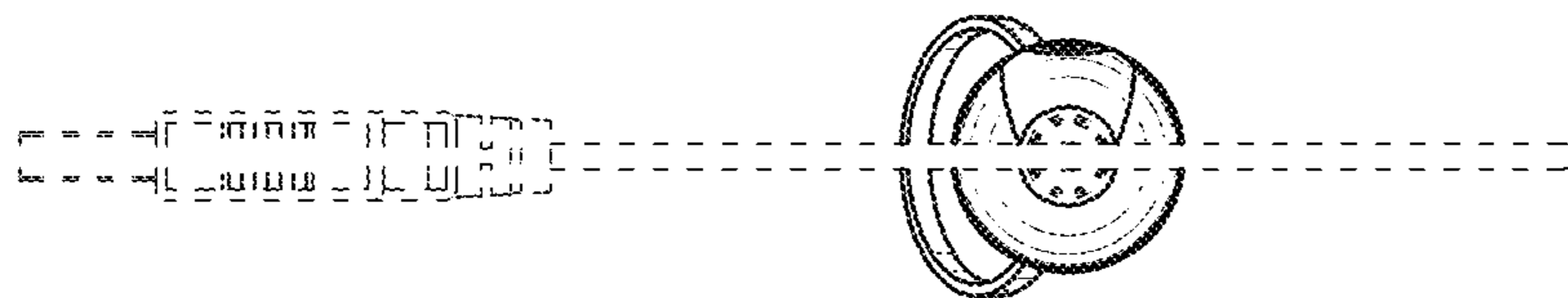


FIG. 7