



US00D973203S

(12) **United States Design Patent** (10) **Patent No.:** **US D973,203 S**  
**Tyrasing et al.** (45) **Date of Patent:** **\*\* Dec. 20, 2022**

(54) **SYRINGE**  
(71) Applicant: **Galderma S.A.**, Cham (CH)  
(72) Inventors: **Oliver Tyrasing**, Uppsala (SE); **Oscar Ullsten**, Uppsala (SE)  
(73) Assignee: **Galderma Holding SA**, Zug (CH)  
(\*\*) Term: **15 Years**

D798,444 S \* 9/2017 Darras ..... D24/130  
D799,034 S \* 10/2017 Nguyen ..... D24/130  
D800,900 S \* 10/2017 Darras ..... D24/130  
(Continued)

(21) Appl. No.: **29/763,036**  
(22) Filed: **Dec. 21, 2020**

FOREIGN PATENT DOCUMENTS

JP D1067331 \* 4/2000  
KR 300926536.0000 \* 10/2017  
(Continued)

(30) **Foreign Application Priority Data**

Jun. 22, 2020 (EM) ..... 008014807

(51) **LOC (13) Cl.** ..... **24-02**  
(52) **U.S. Cl.**  
USPC ..... **D24/130**

RESTYLANE DEFYNE (1x1ML) QMED GALDERMA., RESTYLANE—QMED—GALDERMA, France-Health, [Post date unknown], [Site seen Jul. 14, 2022], Seen at URL: <https://www.france-health.com/en/home/4894-restylane-defyne-1x1ml-qmed-galderma.html> (Year: 2022).\*

(Continued)

(58) **Field of Classification Search**  
USPC ..... D24/144, 129, 130, 112, 113, 127, 128, D24/114  
CPC ..... A61M 5/178; A61M 3/00; A61M 5/20; A61M 5/31; A61M 5/3137  
See application file for complete search history.

*Primary Examiner* — Natasha Vujcic  
*Assistant Examiner* — Gilbert B Ford  
(74) *Attorney, Agent, or Firm* — Foley & Lardner LLP

(57) **CLAIM**

The ornamental design for a syringe, as shown and described.

(56) **References Cited**

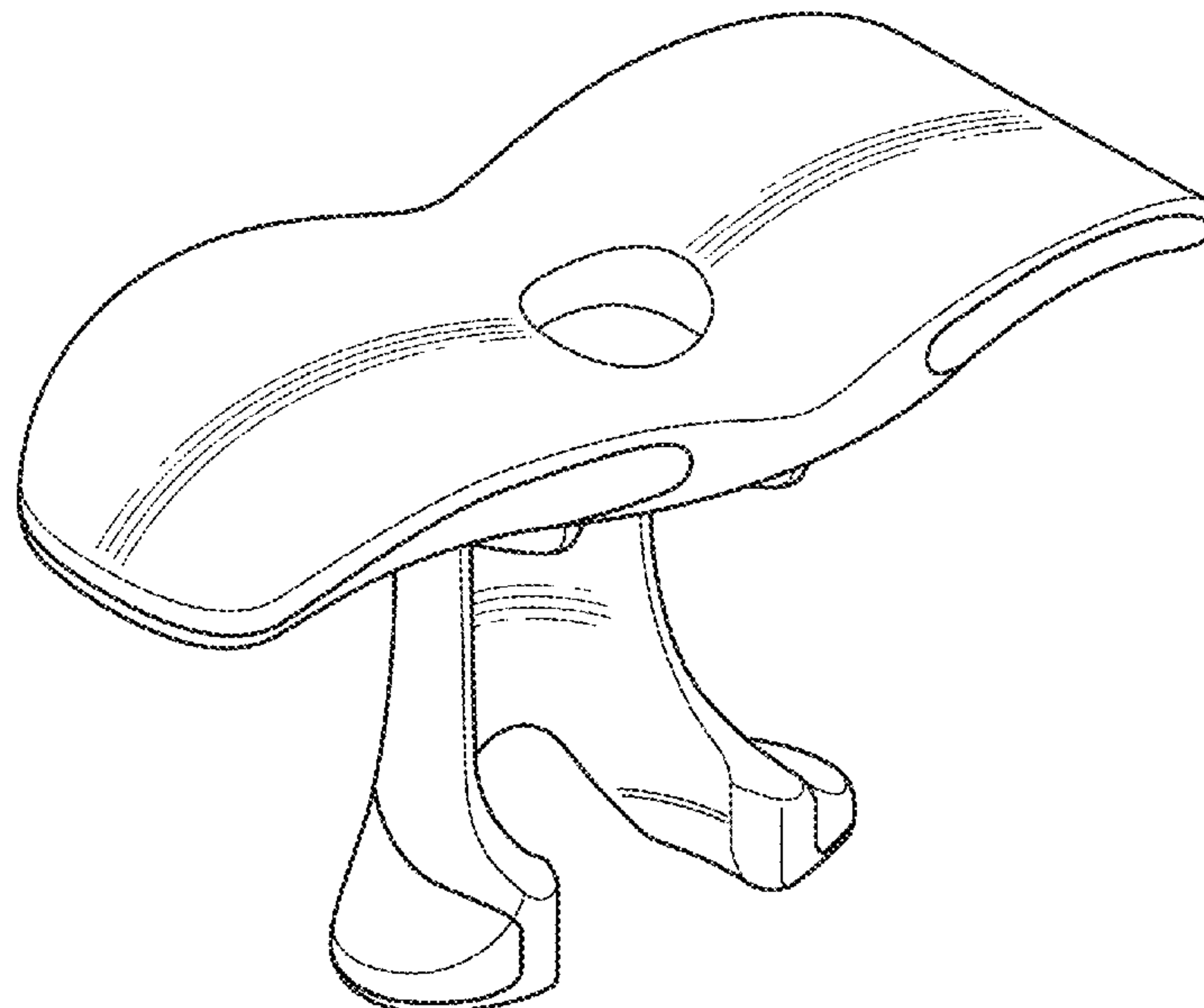
U.S. PATENT DOCUMENTS

D397,790 S \* 9/1998 Naganuma ..... D24/127  
D425,198 S \* 5/2000 Porta ..... D24/114  
D620,591 S \* 7/2010 Young ..... D24/130  
D675,317 S \* 1/2013 Baxter ..... D24/130  
D710,005 S \* 7/2014 Kawamura ..... D24/130  
D777,325 S \* 1/2017 Aneas ..... D24/130  
D790,691 S \* 6/2017 Davis ..... D24/130  
D793,552 S \* 8/2017 Schiller ..... A61M 5/3137  
D24/130  
D794,185 S \* 8/2017 Dolk ..... D24/130  
D797,282 S \* 9/2017 Dolk ..... D24/130

**DESCRIPTION**

FIG. 1 is a front, right and top perspective view of a syringe in accordance with our new design;  
FIG. 2 is a front, left and bottom perspective view thereof;  
FIG. 3 is a rear, left and top perspective view thereof;  
FIG. 4 is a rear, right and bottom perspective view thereof;  
FIG. 5 is a front perspective view thereof; and,  
FIG. 6 is a rear perspective view thereof.  
The broken lines in the figures are for the purpose of showing environmental structure and form no part of the claimed design.

**1 Claim, 4 Drawing Sheets**



(56)

**References Cited**

U.S. PATENT DOCUMENTS

D812,223 S \* 3/2018 Evans ..... D24/130  
 D814,026 S \* 3/2018 Darras ..... D24/130  
 D815,279 S \* 4/2018 Darras ..... D24/130  
 D842,463 S \* 3/2019 Grunhut ..... D24/130  
 D845,476 S \* 4/2019 Evans ..... D24/130  
 10,857,306 B2 \* 12/2020 Holmqvist ..... A61M 5/31578  
 D914,208 S \* 3/2021 Shabudin ..... D24/130  
 2009/0137966 A1 5/2009 Rueckert et al.  
 2012/0220948 A1 8/2012 Barbour  
 2018/0243513 A1 8/2018 Rolfs et al.

FOREIGN PATENT DOCUMENTS

KR 300926537.0000 \* 10/2017  
 KR 101900427 B1 9/2018  
 KR 301158293.0000 \* 4/2022  
 WO WO-2017/176476 10/2017

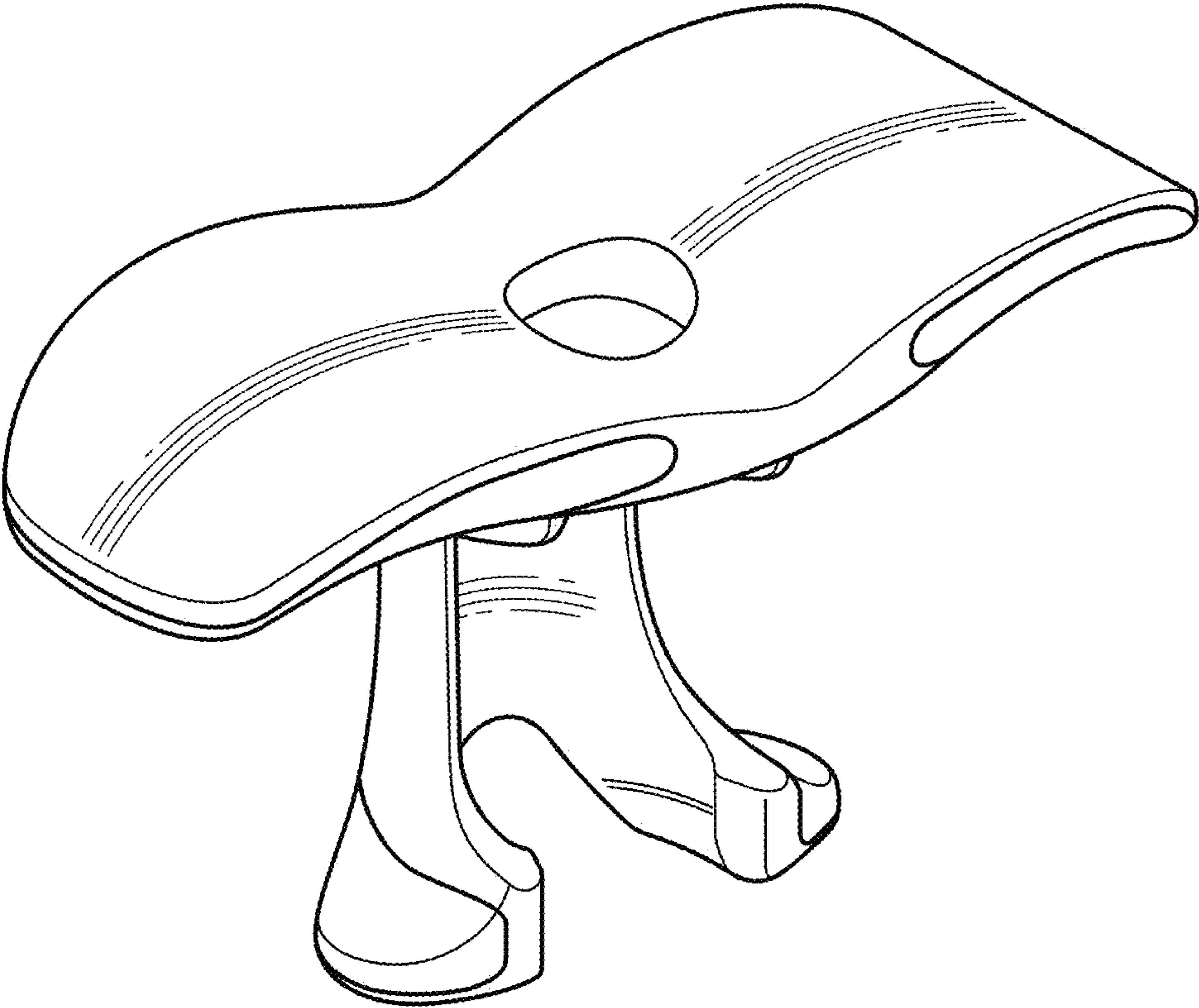
OTHER PUBLICATIONS

BD—add-on Finger Flange, BD, bd.com, [Post date unknown],  
 [Site seen Jul. 14, 2022]. Seen at URL: [https://drugdeliverysystems.  
 bd.com/products/safety-and-shielding-systems/add-on-finger-  
 flange](https://drugdeliverysystems.bd.com/products/safety-and-shielding-systems/add-on-finger-flange) (Year: 2022).\*

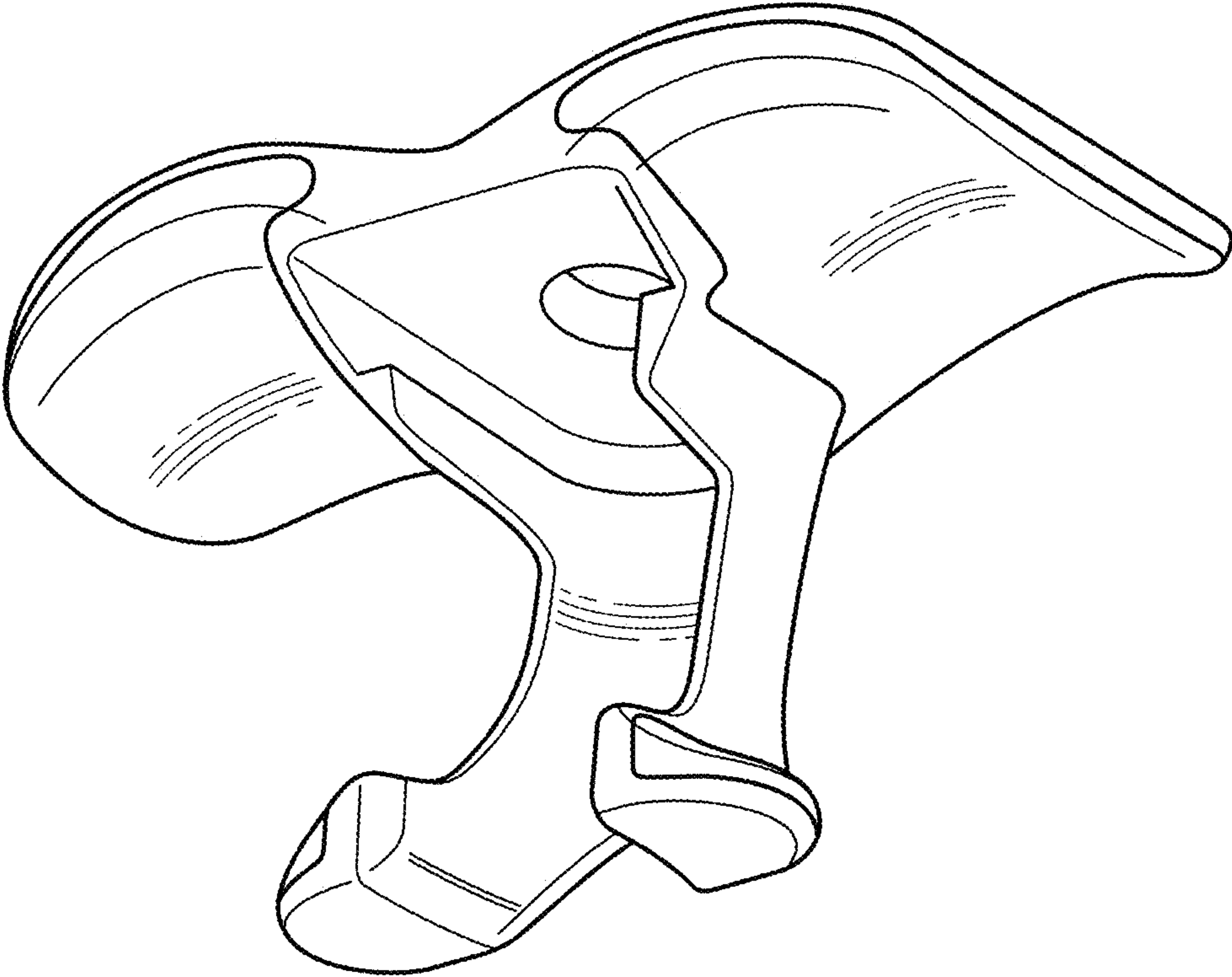
International Search Report and Written Opinion for related Inter-  
 national Patent Application No. PCT/IB2021/053601 dated May 25,  
 2021.

U.S. Appl. No. 29/795,863, filed Jun. 21, 2021, Galderma Holding  
 SA.

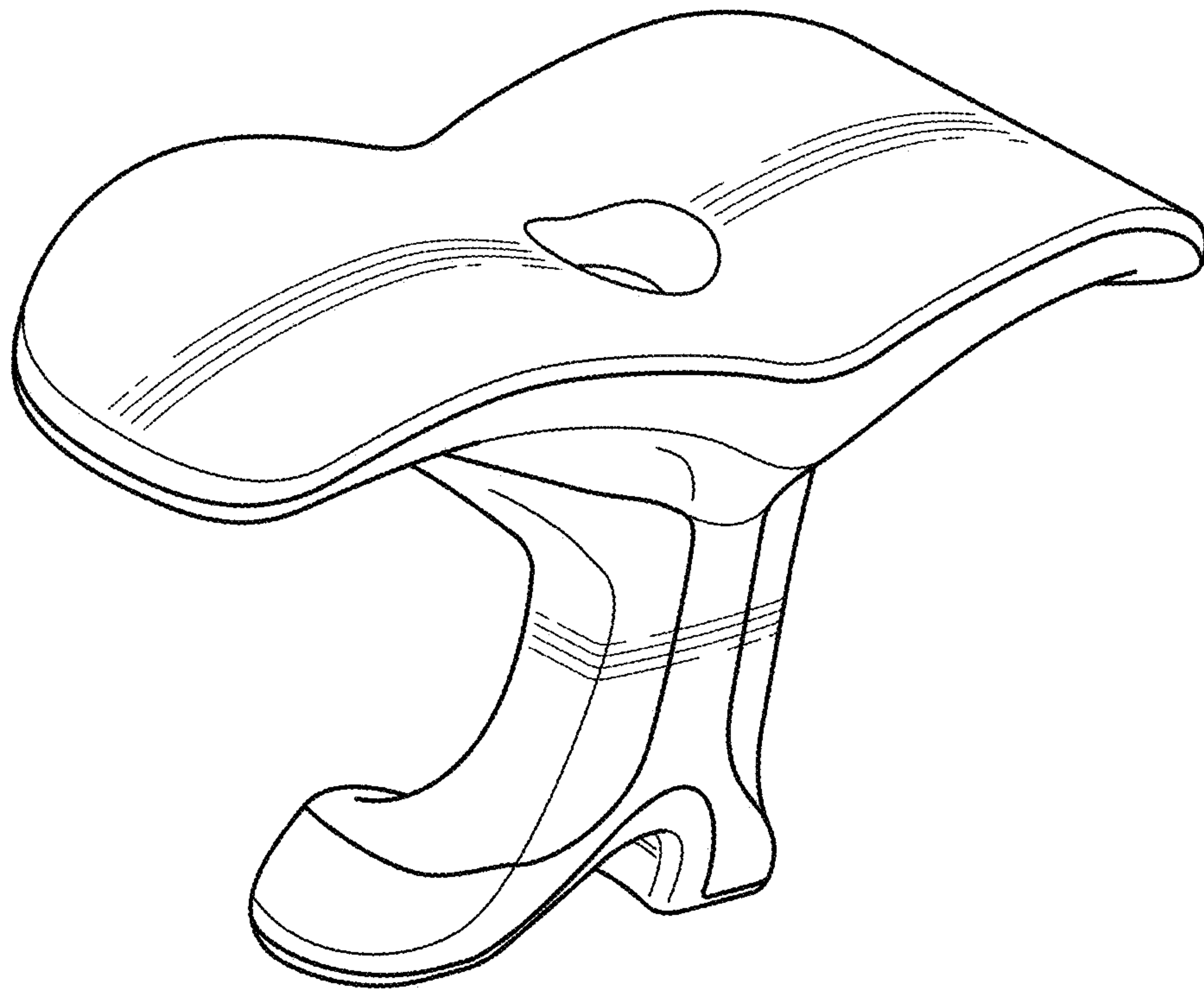
\* cited by examiner



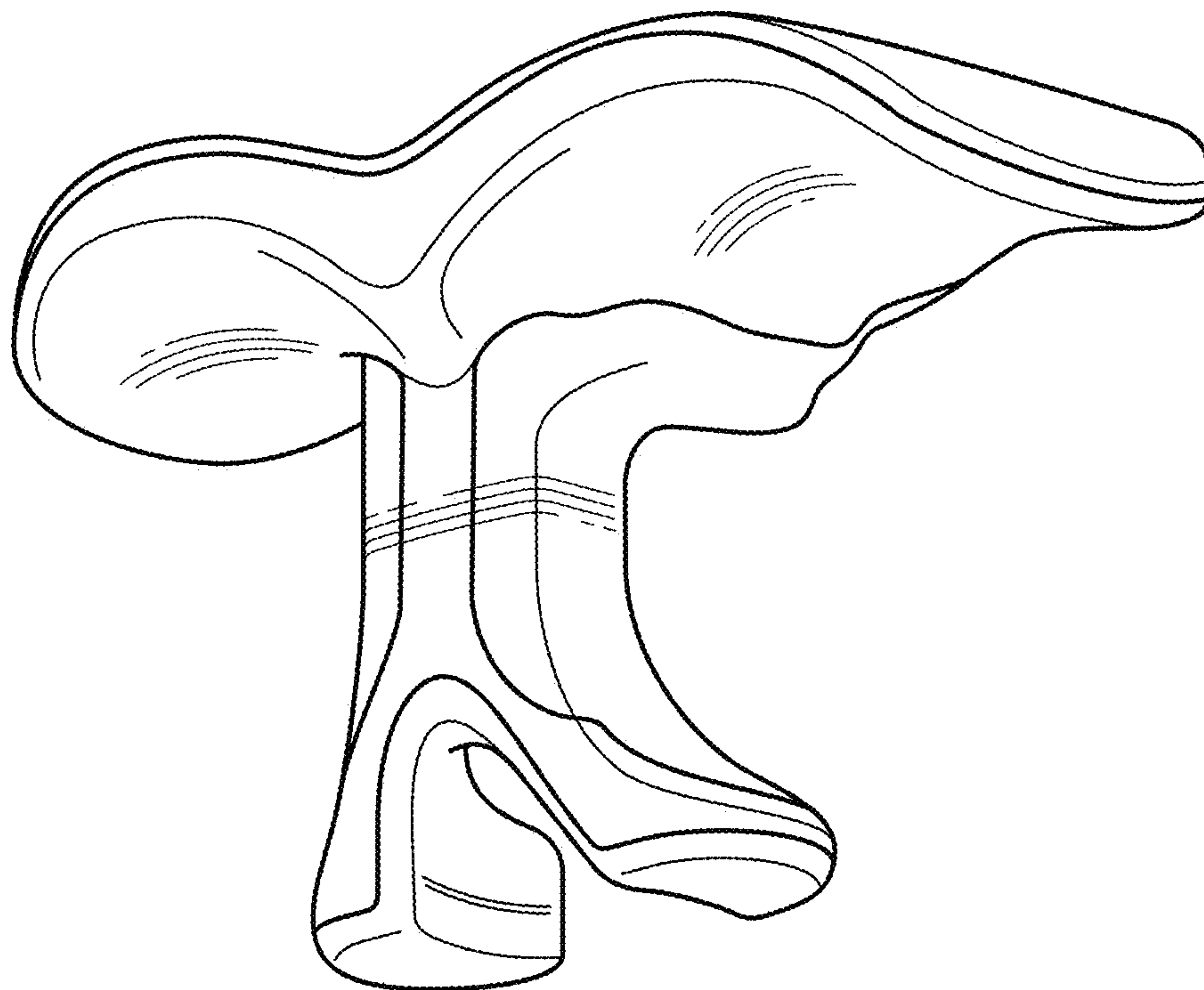
**FIG. 1**



**FIG. 2**



**FIG. 3**



**FIG. 4**



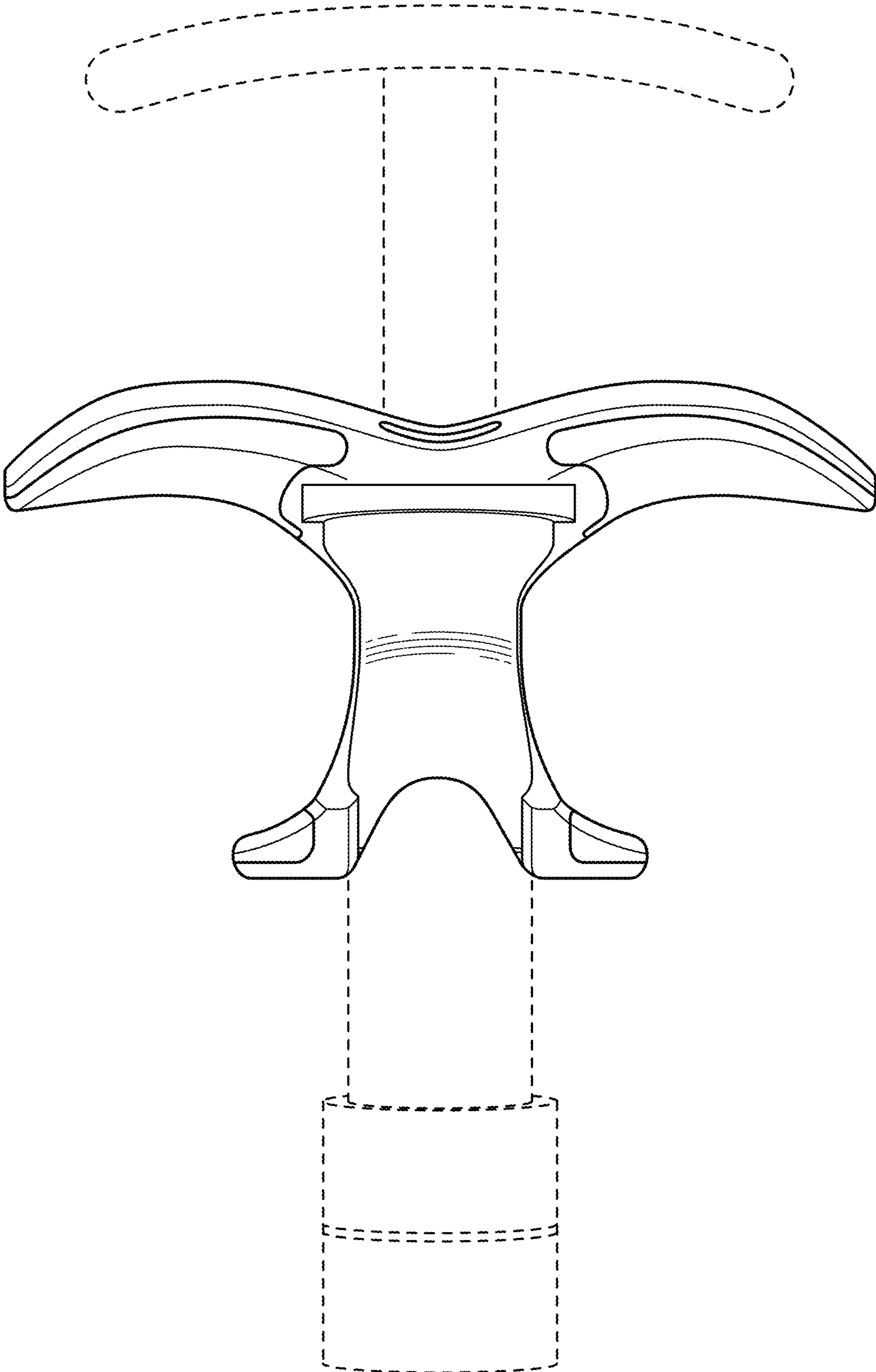
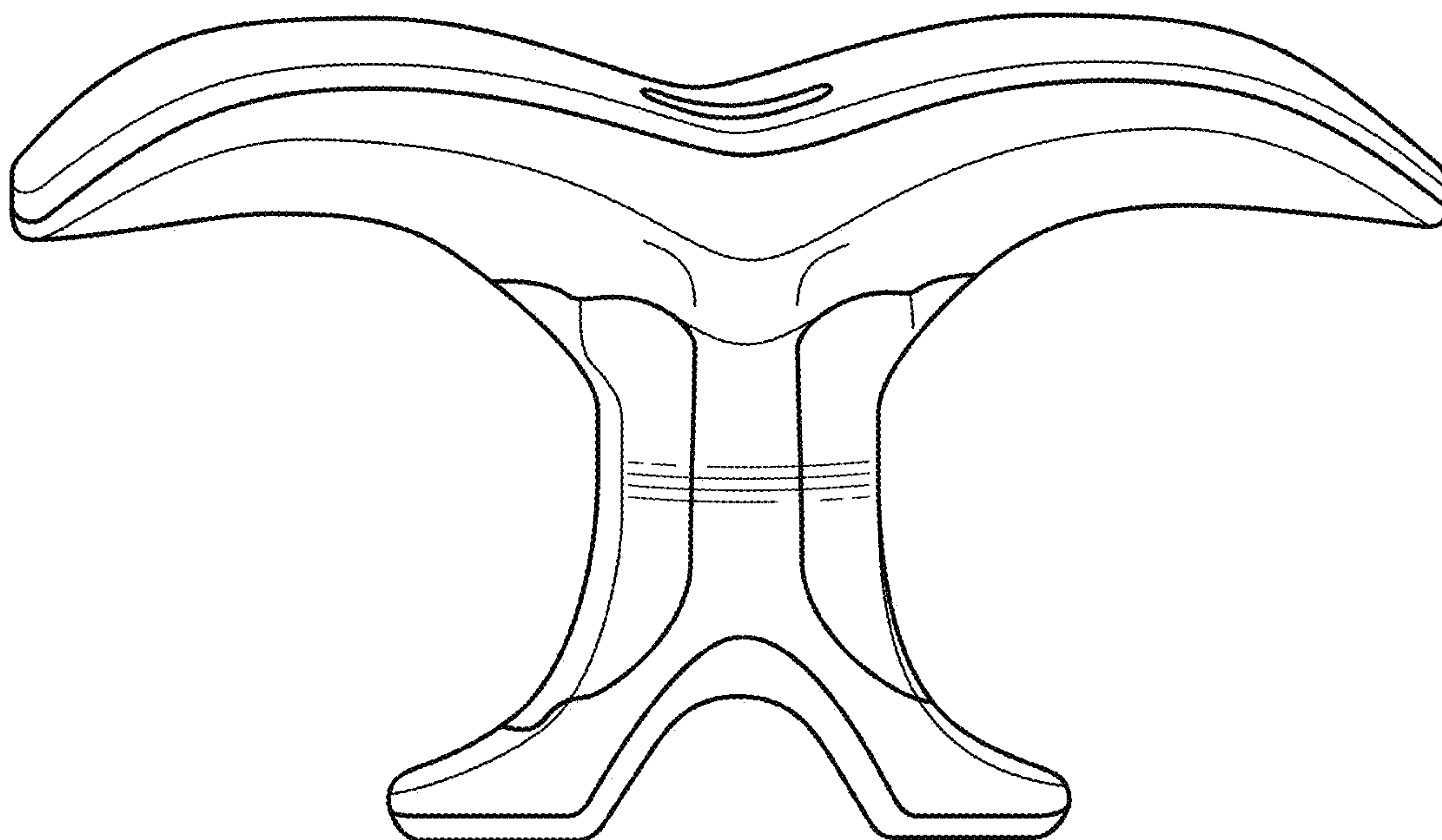


FIG. 5



**FIG. 6**