



US00D973202S

(12) **United States Design Patent** (10) **Patent No.:** **US D973,202 S**
Schuepbach et al. (45) **Date of Patent:** **** Dec. 20, 2022**

(54) **ADD-ON FOR AN INJECTION DEVICE**

(71) Applicant: **Ypsomed AG**, Burgdorf (CH)

(72) Inventors: **Simon Schuepbach**, Bern (CH); **Simon Scheurer**, Bern (CH); **Mario Bernhard**, Brugdorf (CH); **Andreas Schneider**, Bern (CH); **Christoph Jordi**, Aarau (CH)

(73) Assignee: **Ypsomed AG**, Burgdorf (CH)

(**) Term: **15 Years**

(21) Appl. No.: **29/754,111**

(22) Filed: **Oct. 6, 2020**

(30) **Foreign Application Priority Data**

May 19, 2020 (CH) 145332

(51) **LOC (13) Cl.** **24-02**

(52) **U.S. Cl.**
USPC **D24/130**

(58) **Field of Classification Search**
USPC D24/112–114, 108, 133, 130, 127, 186;
606/181, 185; 604/264, 272, 187, 181,
604/184, 227
CPC A61M 5/178; A61M 3/00; A61M 5/20;
A61M 5/31; A61M 5/3146; A61M
5/3129; A61M 5/3148; A61M 5/315
See application file for complete search history.

(56) **References Cited**

U.S. PATENT DOCUMENTS

D834,710 S * 11/2018 Michael D24/127
D837,975 S * 1/2019 Protasiewicz D24/113
D838,360 S * 1/2019 Protasiewicz D24/113
D842,458 S * 3/2019 Protasiewicz D24/113
D854,681 S * 7/2019 Protasiewicz D24/113
D875,925 S * 2/2020 Archat D24/127

D889,638 S * 7/2020 Crothall D24/113
D902,392 S * 11/2020 Scrimgeour D24/113
D912,254 S * 3/2021 Roy D24/186
D925,035 S * 7/2021 Zhang D24/144
D930,827 S * 9/2021 Besson D24/130
D930,828 S * 9/2021 Jones D24/130

(Continued)

Primary Examiner — David G Muller

(74) *Attorney, Agent, or Firm* — Dorsey & Whitney LLP

(57) **CLAIM**

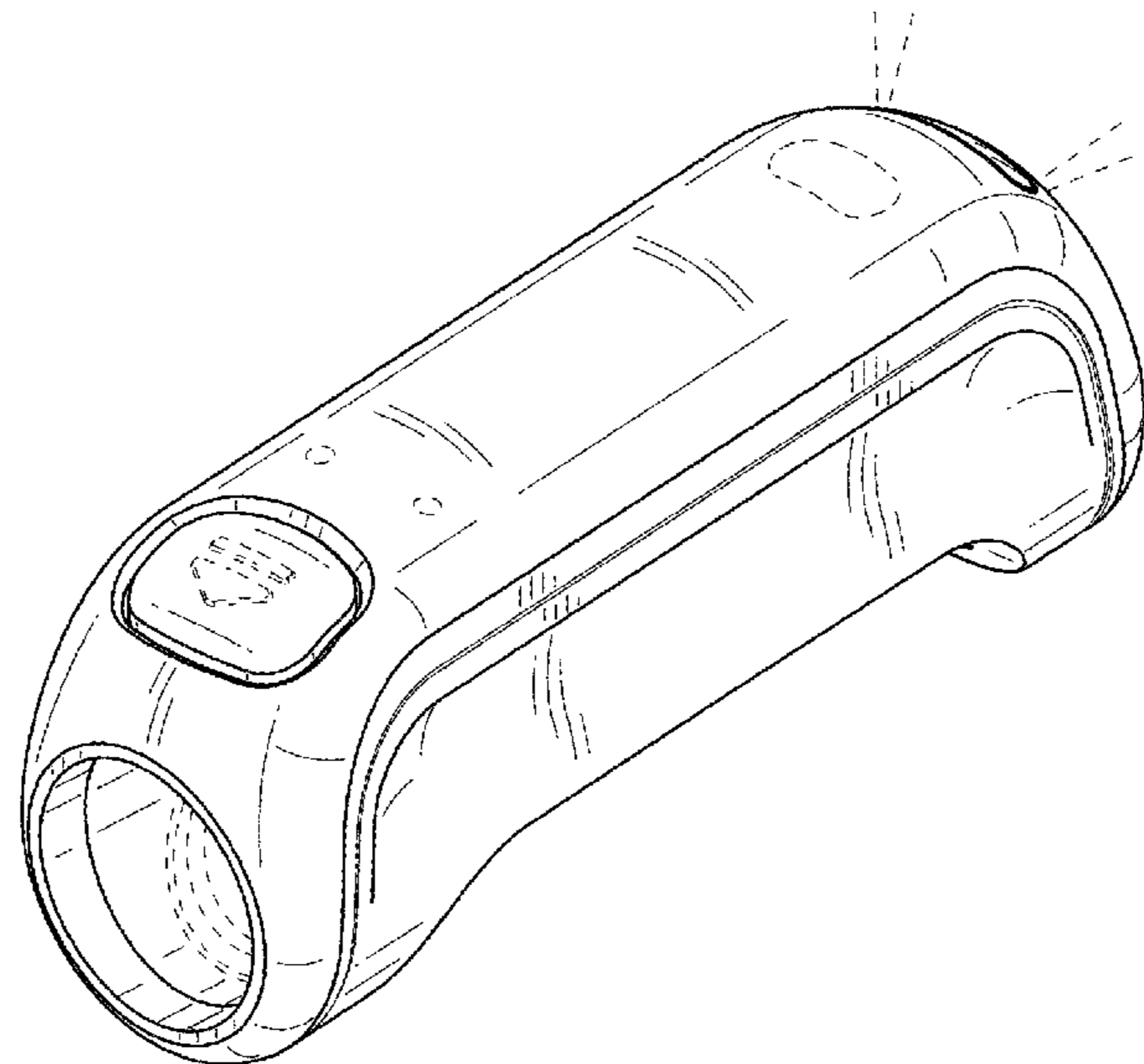
The ornamental design for an add-on for an injection device, as shown and described.

DESCRIPTION

FIG. 1 is an illustration of a front isometric view of an add-on for an injection device;
FIG. 2 is an illustration of a back isometric view of the add-on of FIG. 1;
FIG. 3 is an illustration of a right side view of the add-on of FIG. 1;
FIG. 4 is an illustration of a left side view of the add-on of FIG. 1;
FIG. 5 is an illustration of a front view of the add-on of FIG. 1;
FIG. 6 is an illustration of a back view of the add-on of FIG. 1;
FIG. 7 is an illustration of a top view of the add-on of FIG. 1;
FIG. 8 is an illustration of a bottom view of the add-on of FIG. 1;
FIG. 9 is an illustration of the front isometric view of the add-on of FIG. 1 in the context of an injection device; and, FIG. 10 is an illustration of the back isometric view of the add-on of FIG. 1 in the context of the injection device of FIG. 9.

The unshaded areas shown in evenly-dashed broken lines in the drawings illustrate the portions of the design that form no part of the claim.

1 Claim, 8 Drawing Sheets



(56)

References Cited

U.S. PATENT DOCUMENTS

D931,455 S * 9/2021 Wang D24/144
2016/0213853 A1 7/2016 Despa et al.

* cited by examiner

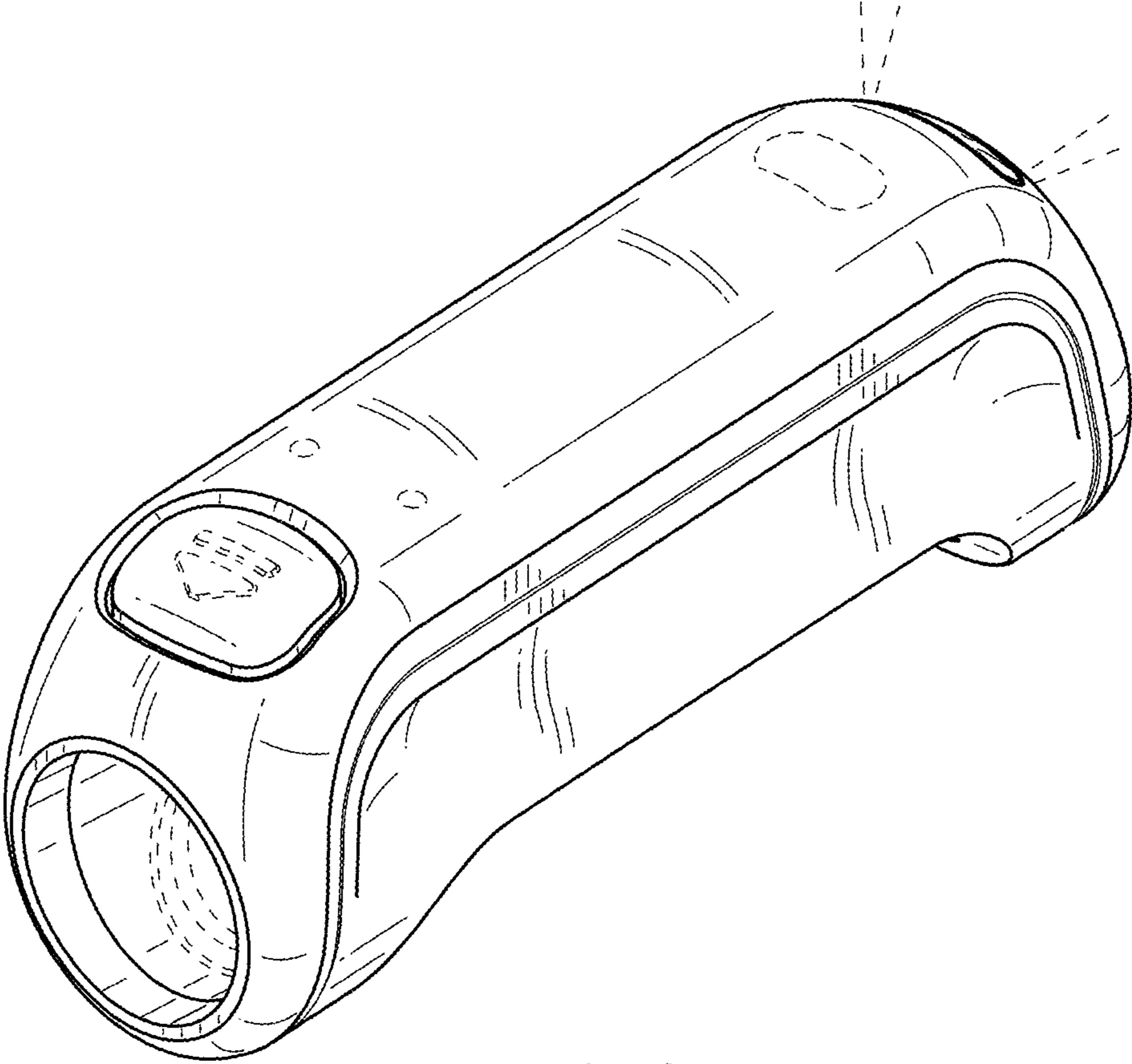


FIG. 1

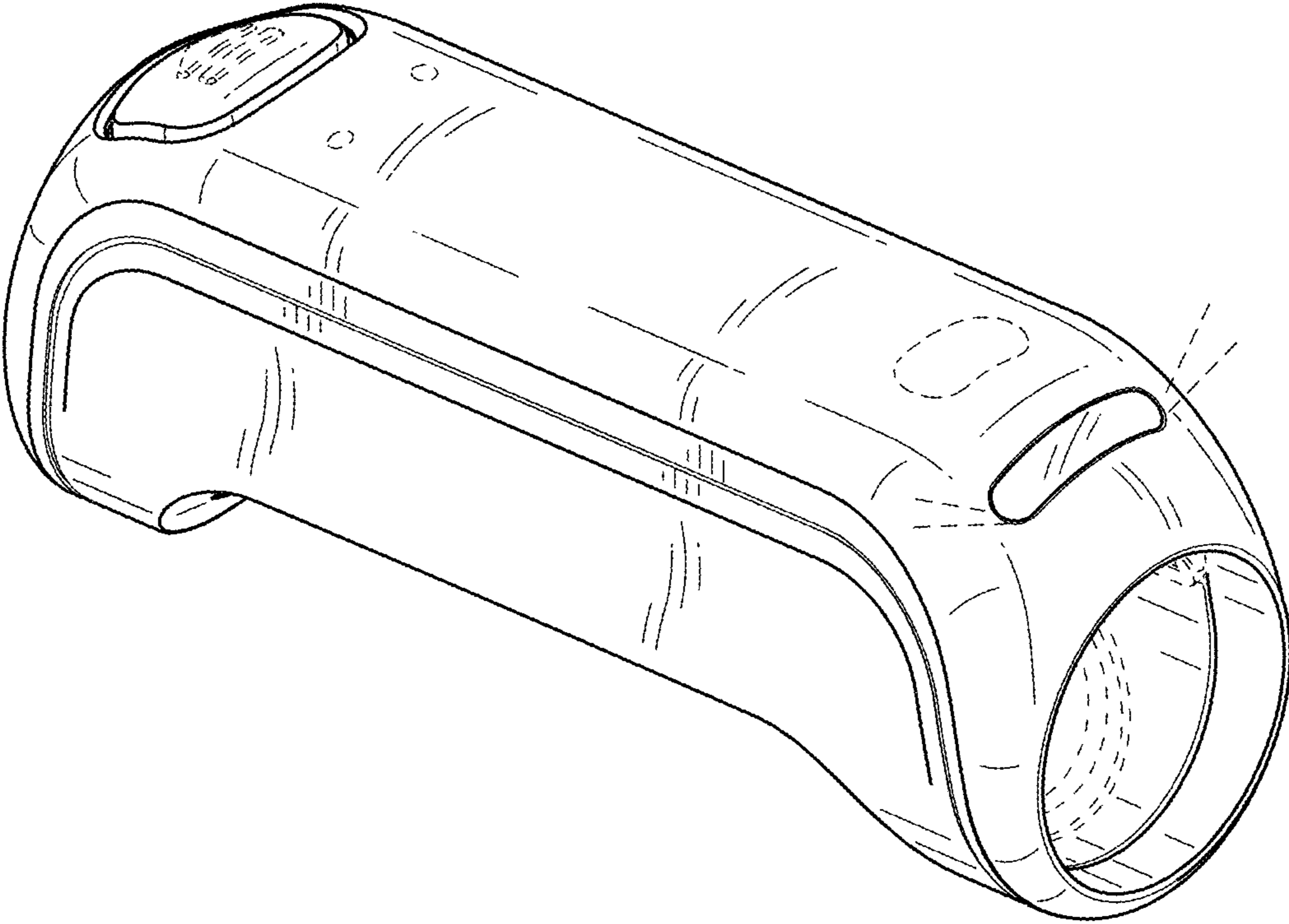


FIG. 2

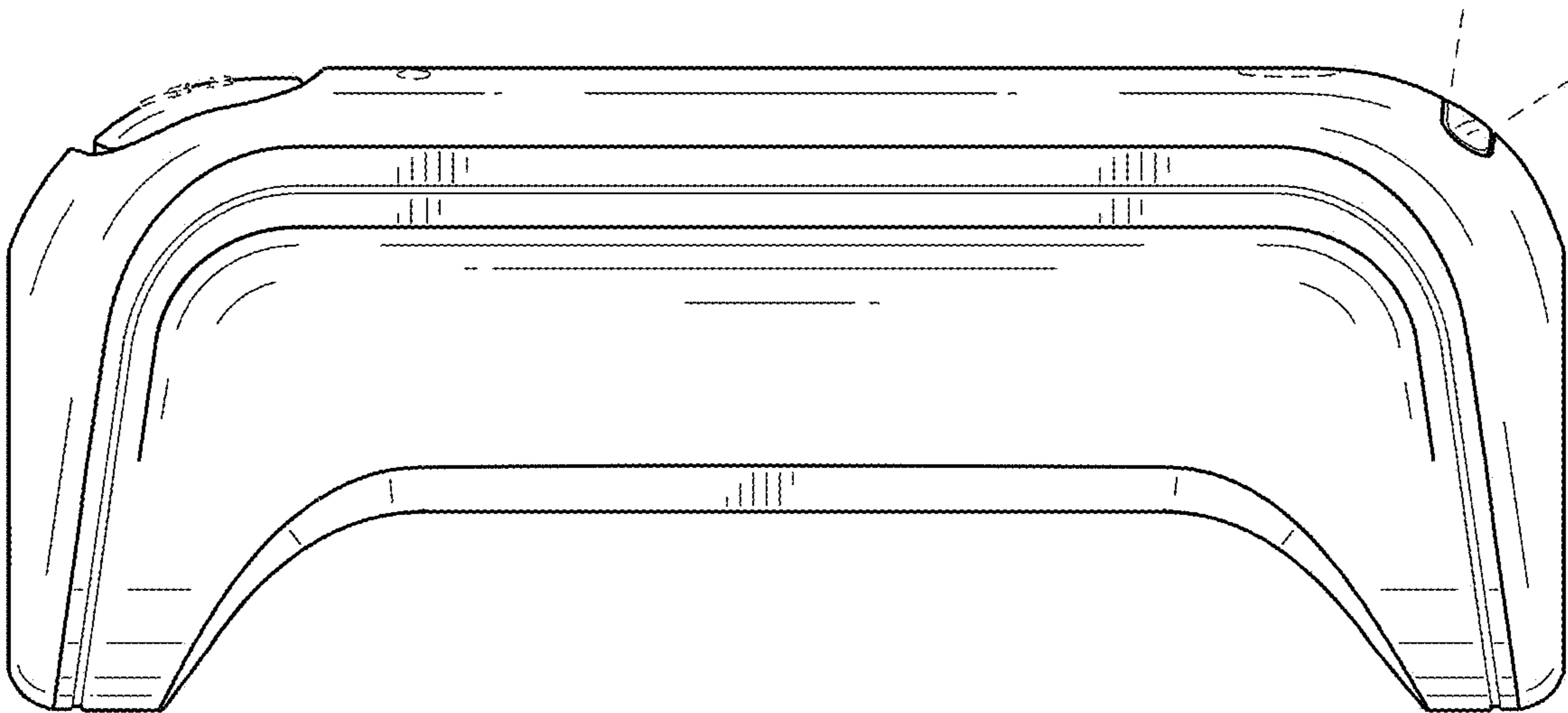


FIG. 3

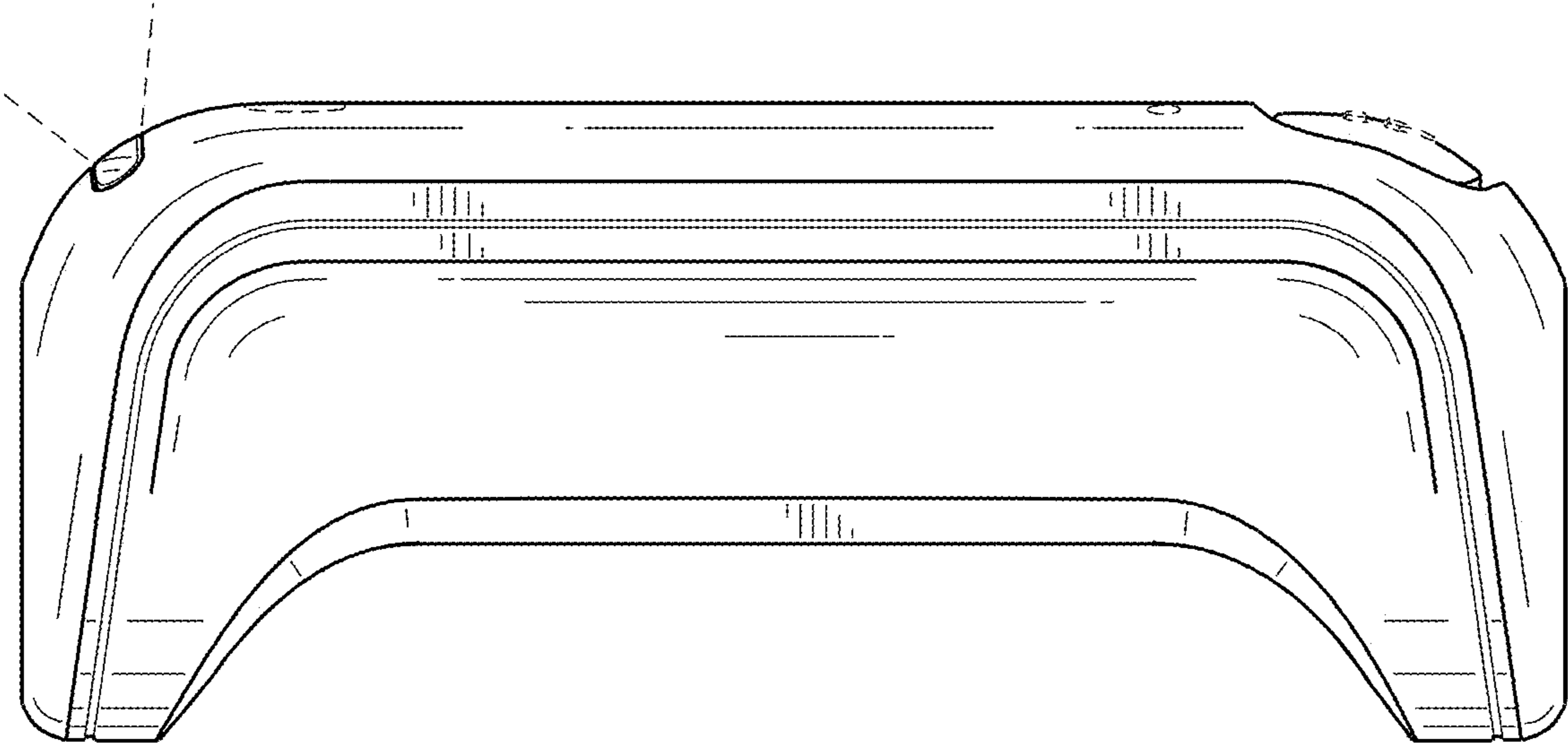


FIG. 4

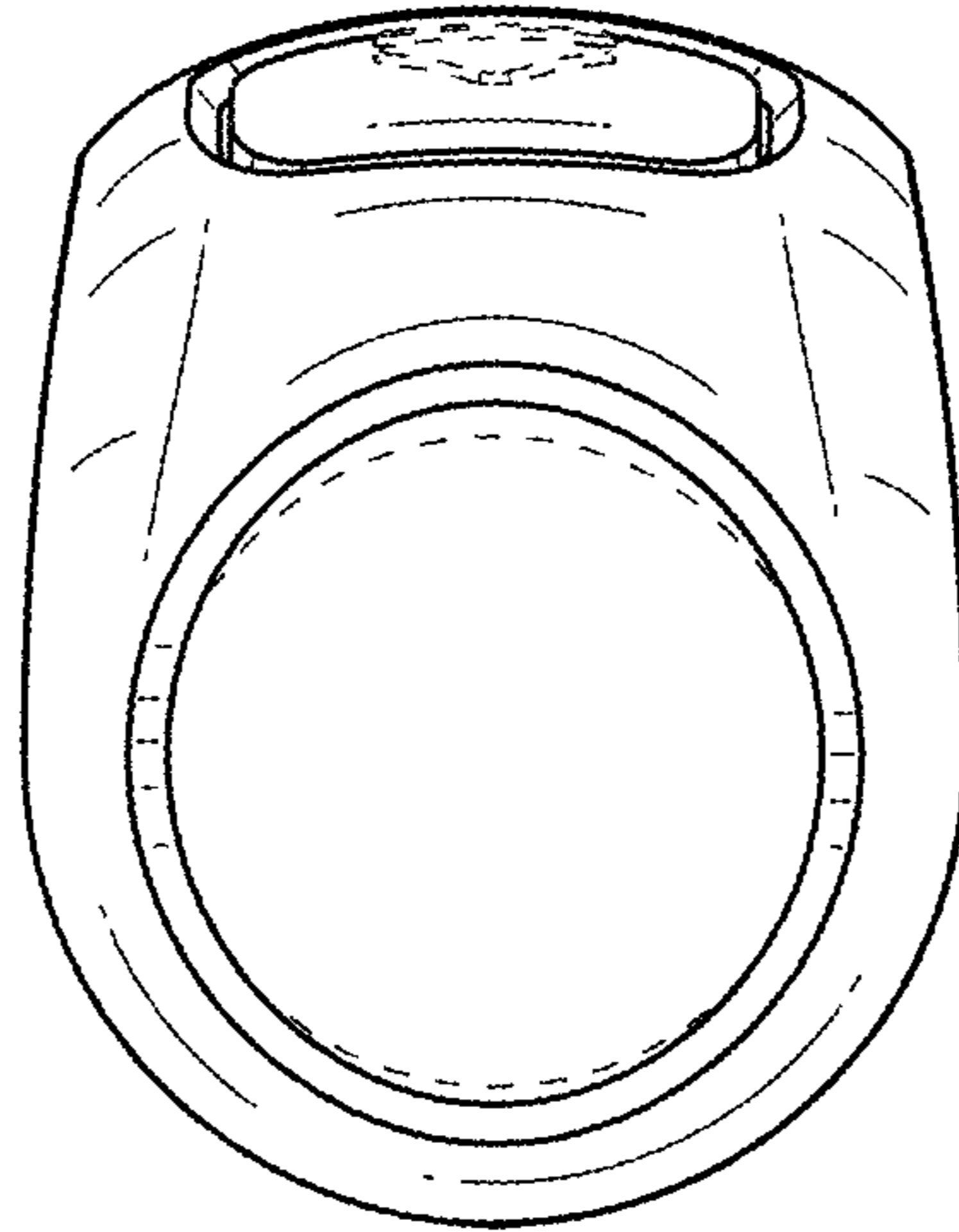


FIG. 5

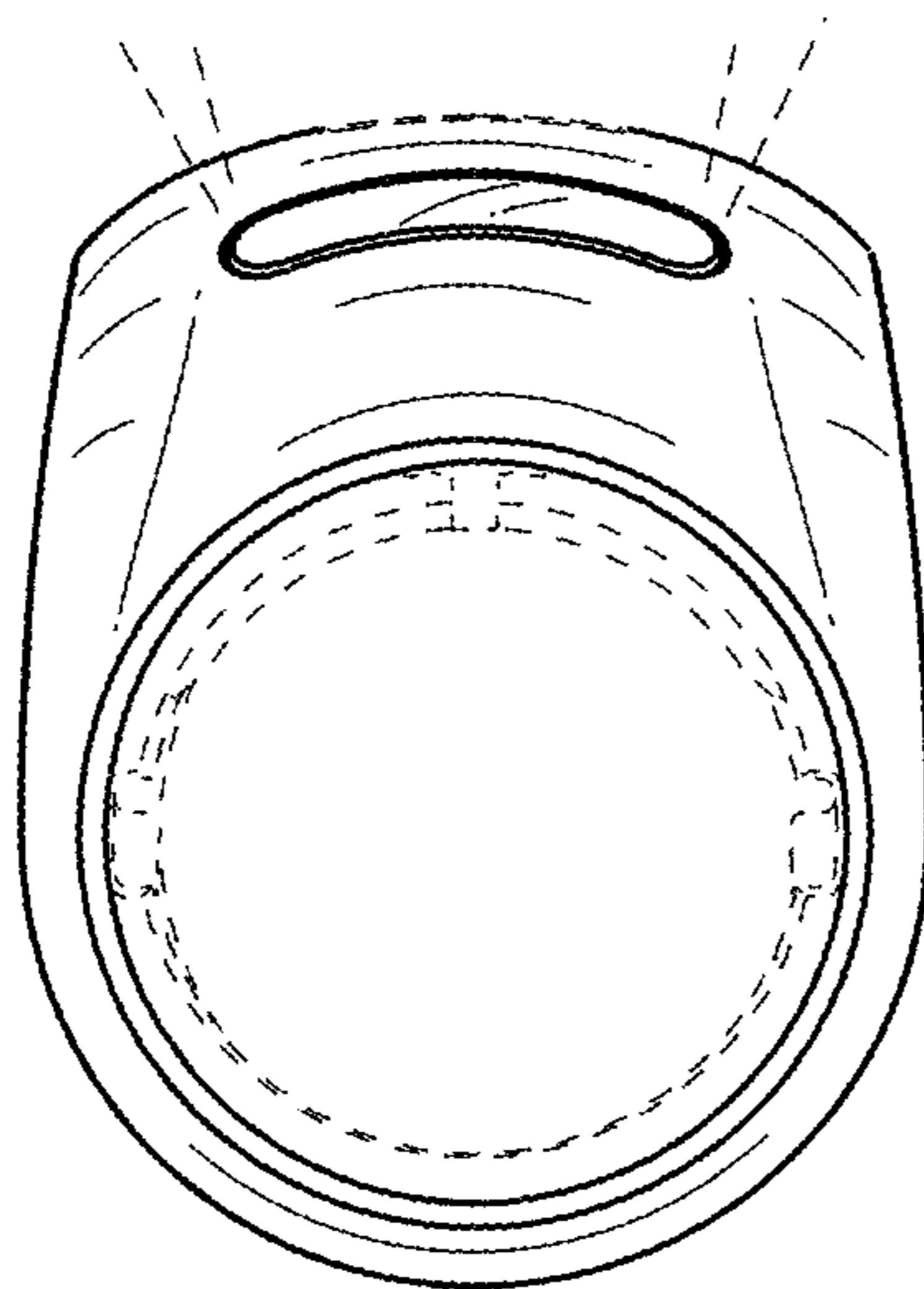


FIG. 6

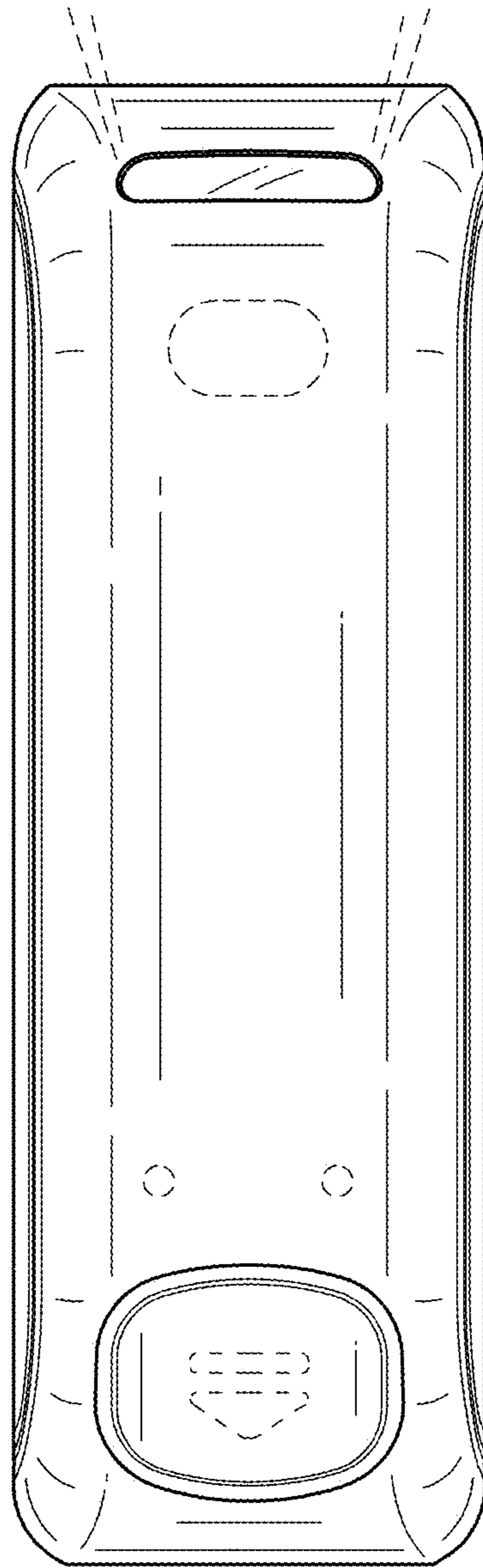


FIG. 7

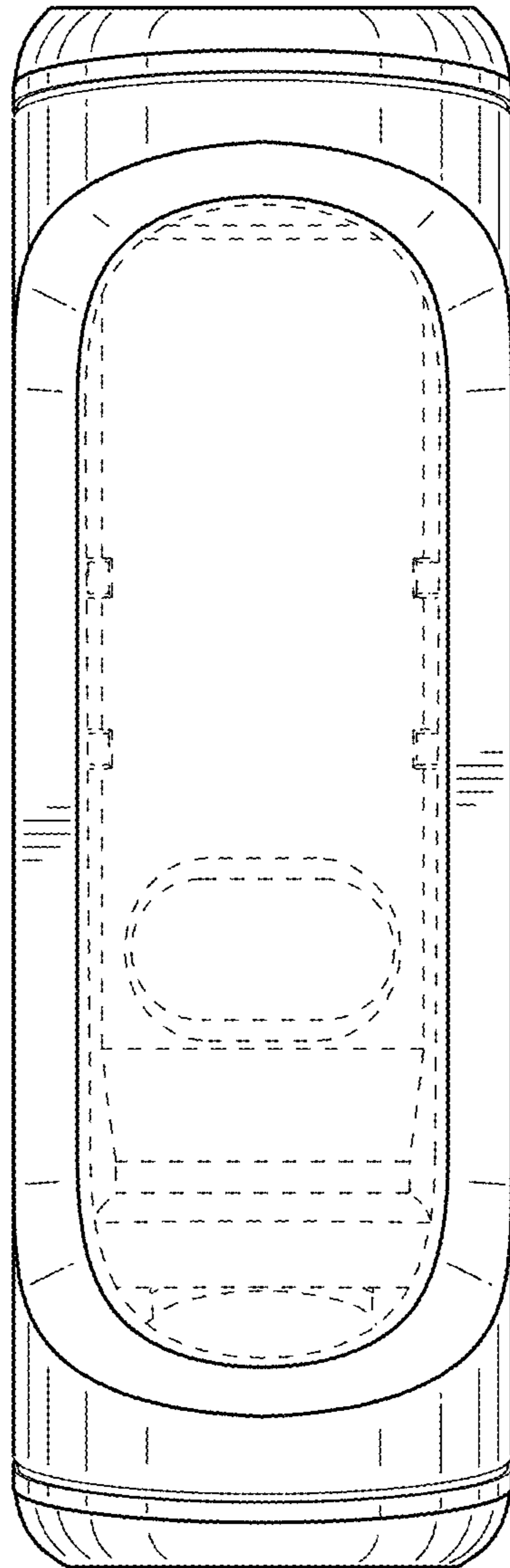


FIG. 8

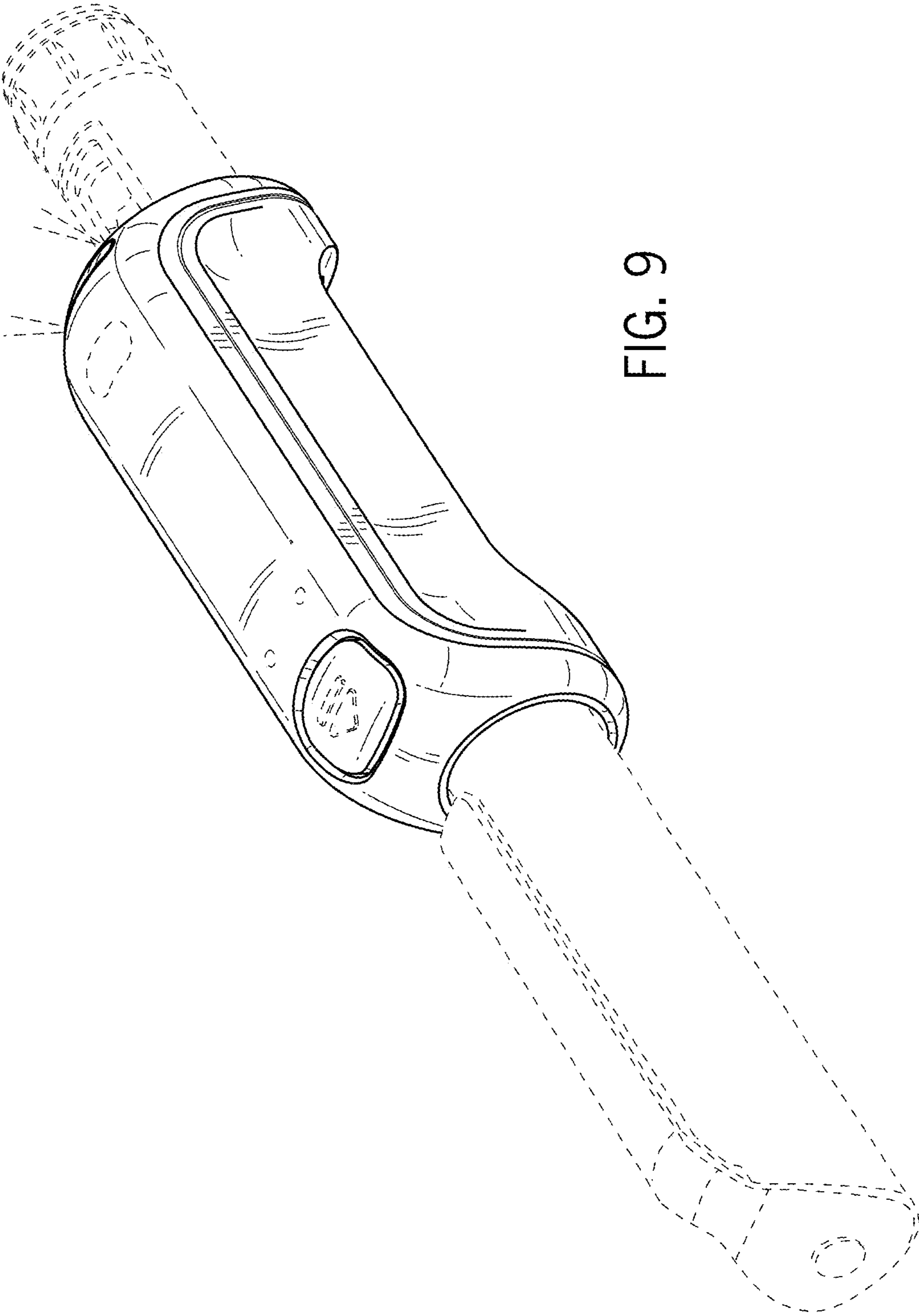


FIG. 9

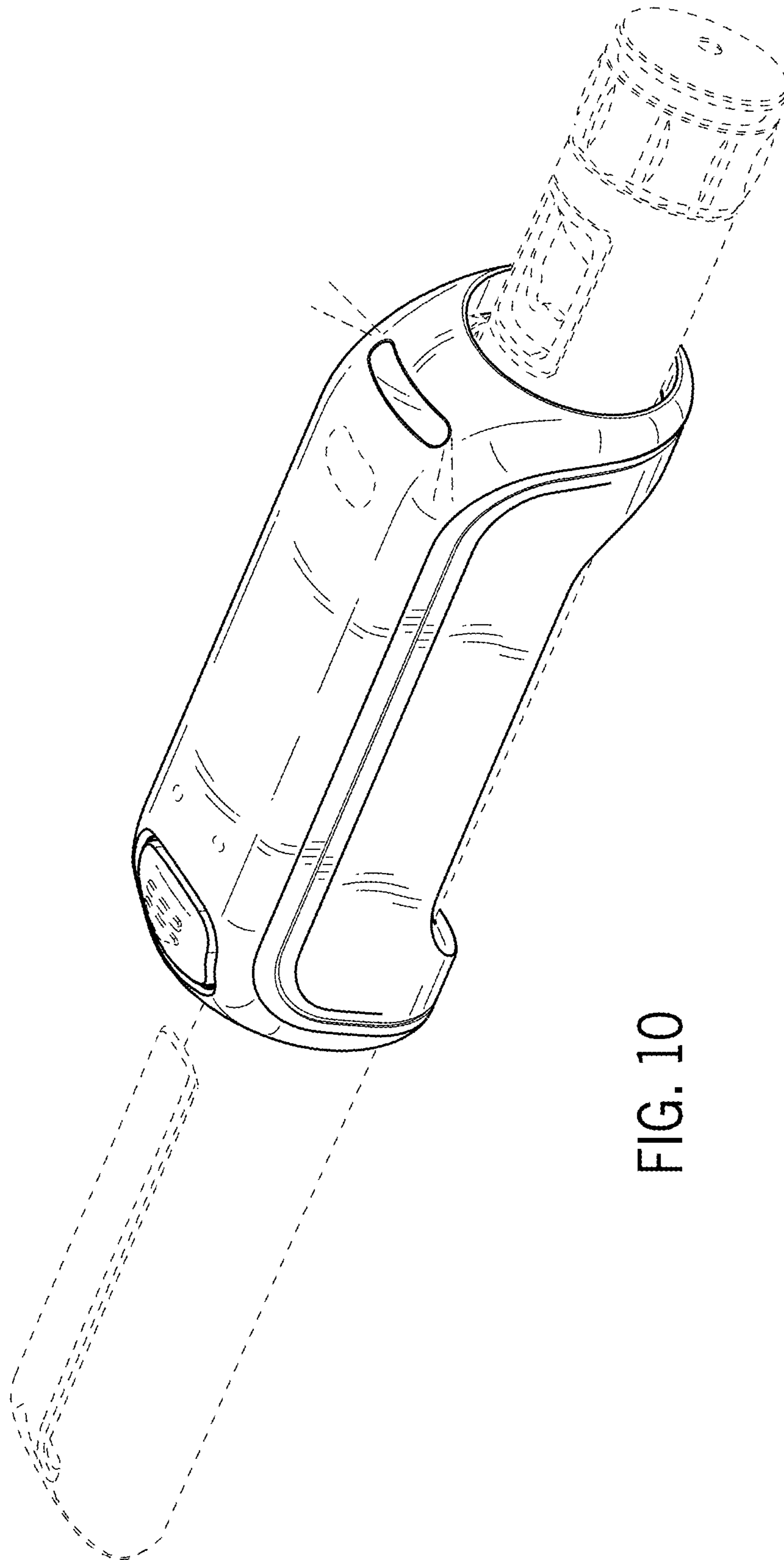


FIG. 10