



US00D973198S

(12) **United States Design Patent**
Bittigkoffer

(10) **Patent No.:** **US D973,198 S**

(45) **Date of Patent:** **** Dec. 20, 2022**

(54) **DEVICE FOR RESPIRATORY THERAPY**

(71) Applicant: **Peter Bittigkoffer**, Billigheim (DE)

(72) Inventor: **Peter Bittigkoffer**, Billigheim (DE)

(**) Term: **15 Years**

(21) Appl. No.: **29/774,957**

(22) Filed: **Mar. 19, 2021**

(30) **Foreign Application Priority Data**

Sep. 24, 2020 (EP) 008184766-0001

(51) **LOC (13) Cl.** **24-02**

(52) **U.S. Cl.**
USPC **D24/110.6; D23/262**

(58) **Field of Classification Search**
USPC D23/209, 233, 247, 262; D24/107, 108,
D24/110, 110.6, 111, 127, 129, 164;
285/308, 391
CPC A61M 16/0816; A61M 16/0833; A61M
16/085; A61M 16/0858; A61M 16/0875
See application file for complete search history.

(56) **References Cited**

U.S. PATENT DOCUMENTS

D212,218 S *	9/1968	Norton	D24/129
3,767,233 A *	10/1973	Hodge	F16L 33/30 285/239
D236,637 S *	9/1975	Dykstra	D24/129
D252,470 S *	7/1979	Pawlak	D23/209
D259,278 S *	5/1981	McCaw	D23/262
D282,962 S *	3/1986	Gerber	D23/262
5,104,158 A *	4/1992	Meyer	F16L 37/0841 285/308
D339,417 S *	9/1993	Sampson	D24/129
D372,093 S *	7/1996	Sampson	D24/129

D460,522 S *	7/2002	Flinchbaugh	D23/233
D597,637 S *	8/2009	Krohmer	D23/266
7,568,737 B2 *	8/2009	Wells	F16L 37/1215 285/391
D773,659 S *	12/2016	Cain	D24/129
2009/0167018 A1 *	7/2009	Lien	F16L 37/0841 285/308

* cited by examiner

Primary Examiner — Richard Kearney

Assistant Examiner — Michael Hoffman

(74) *Attorney, Agent, or Firm* — McHale & Slavin, P.A.

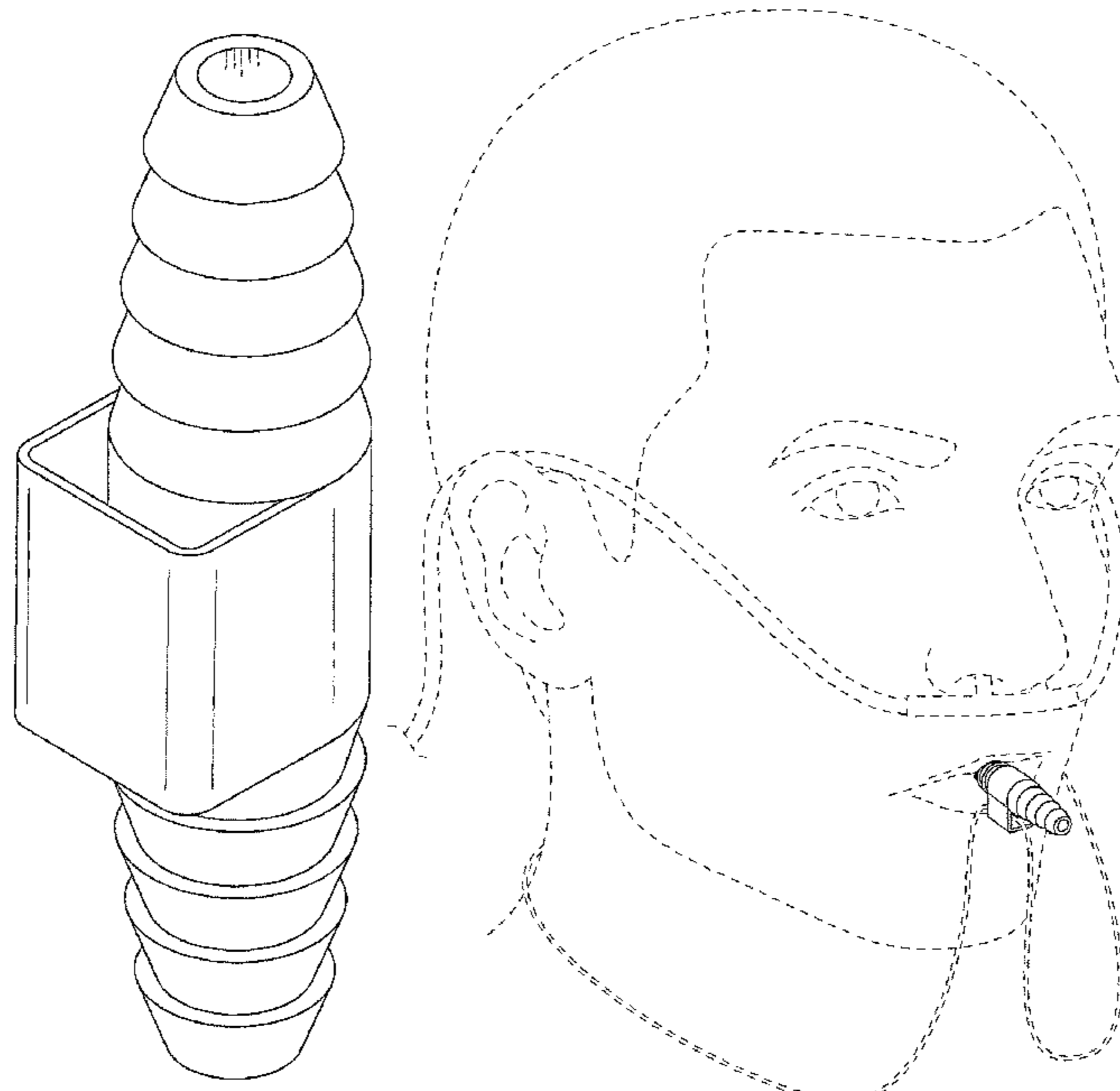
(57) **CLAIM**

The ornamental design for a device for respiratory therapy, as shown and described.

DESCRIPTION

FIG. 1 is a perspective view of the device for respiratory therapy of the present invention;
 FIG. 2 is an alternative perspective view thereof;
 FIG. 3 is a left-side elevational view thereof;
 FIG. 4 is a right-side elevational view thereof;
 FIG. 5 is a front elevational view thereof;
 FIG. 6 is a back elevational view thereof
 FIG. 7 is a top view thereof;
 FIG. 8 is a bottom view thereof; and,
 FIG. 9 is a perspective view showing the device for respiratory therapy in a condition of use aiding a person undergoing respiratory therapy.
 The broken lines shown in the drawings illustrate environmental subject matter and form no part of the claimed design.

1 Claim, 9 Drawing Sheets



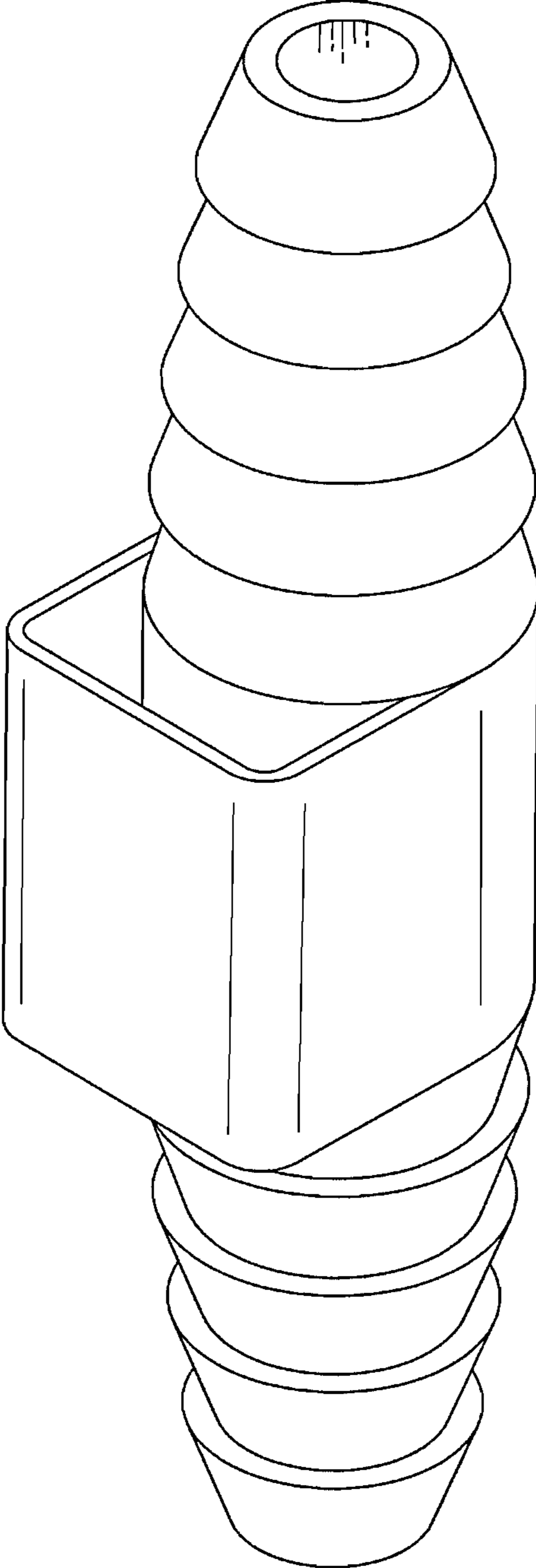


Fig. 1

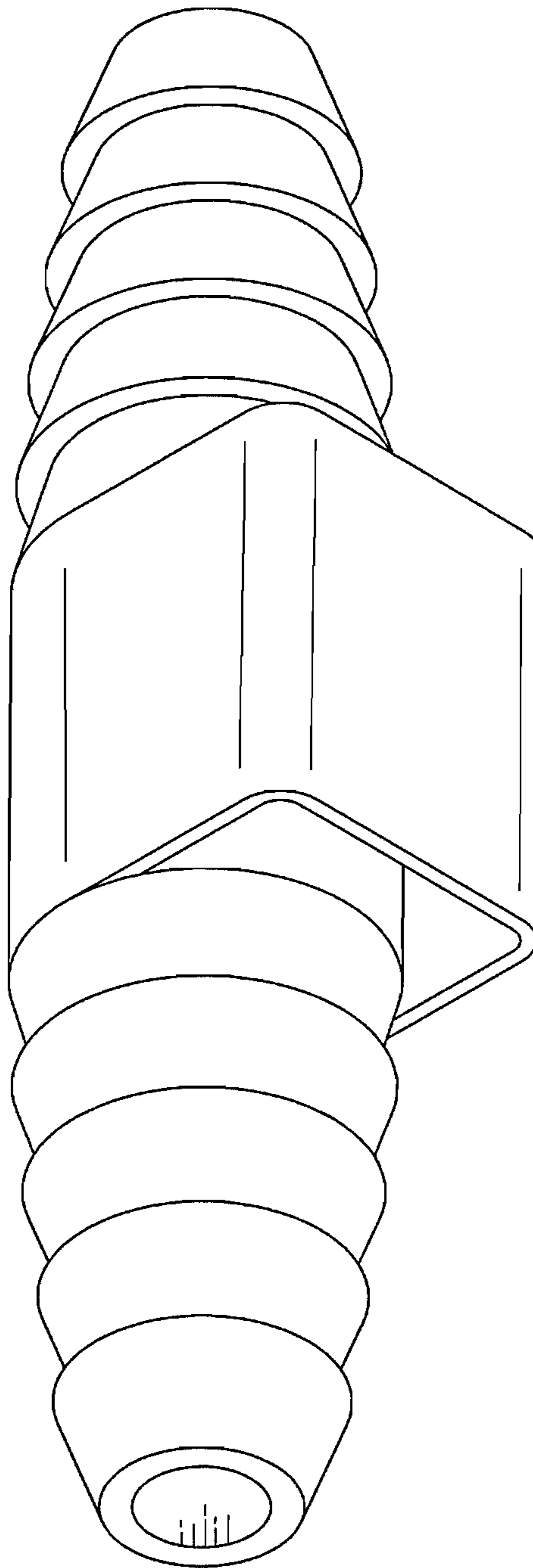


Fig. 2

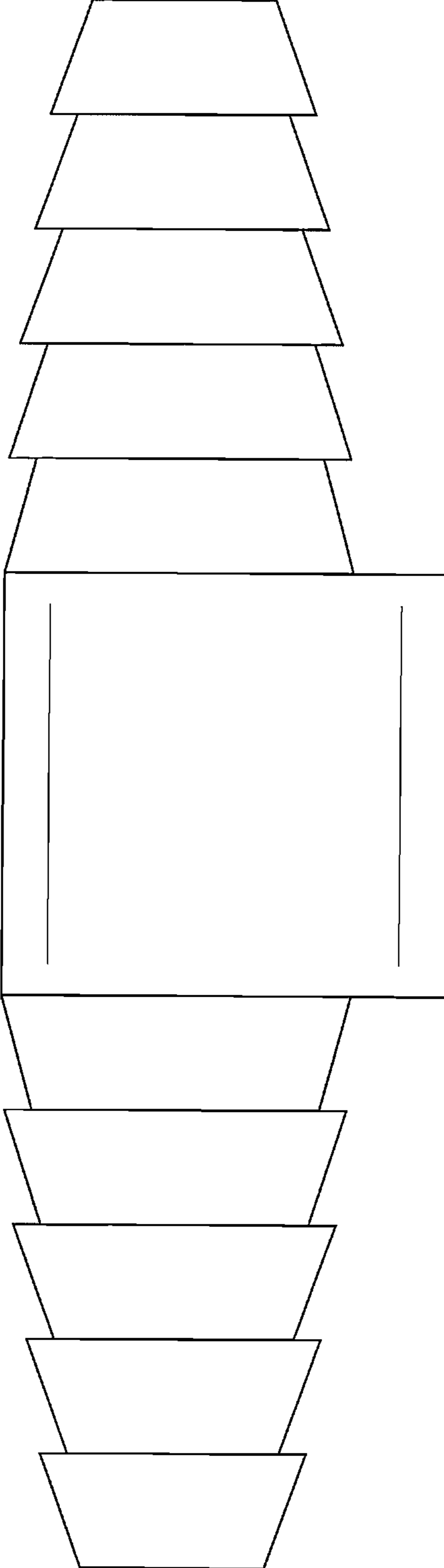


Fig. 3

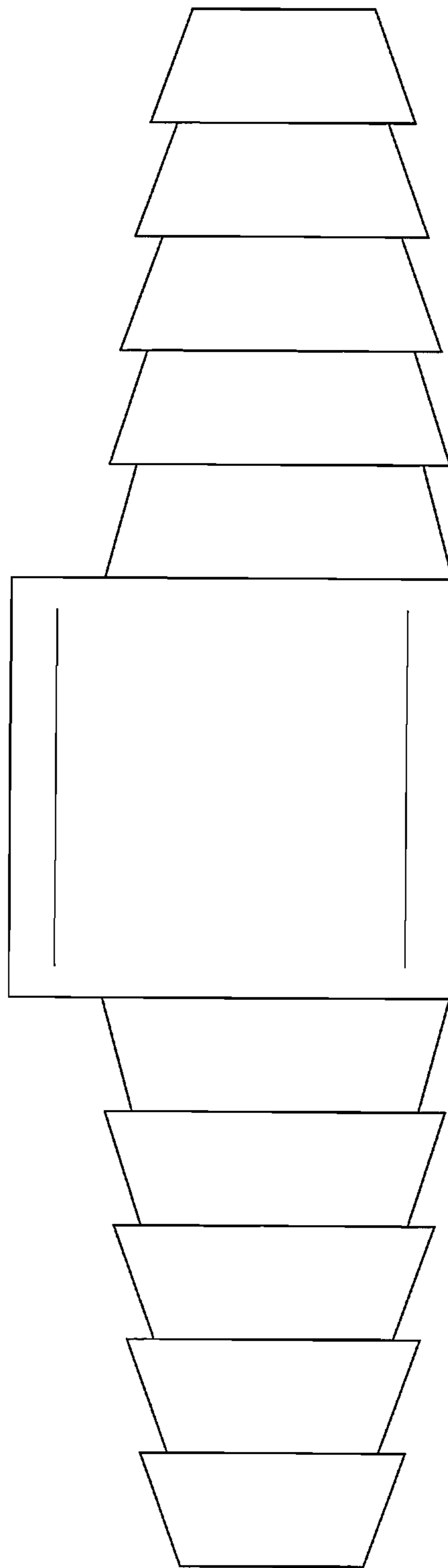


Fig. 4

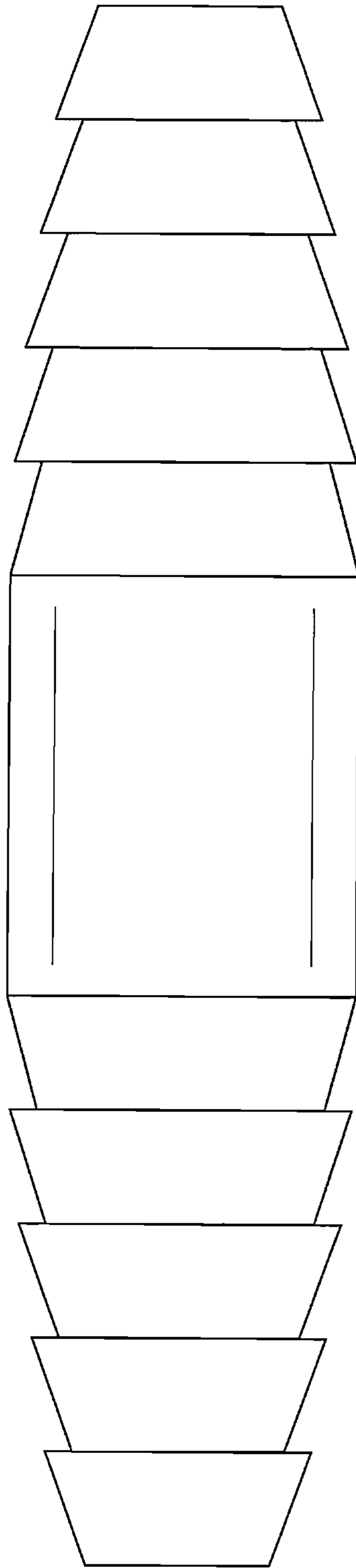


Fig. 5

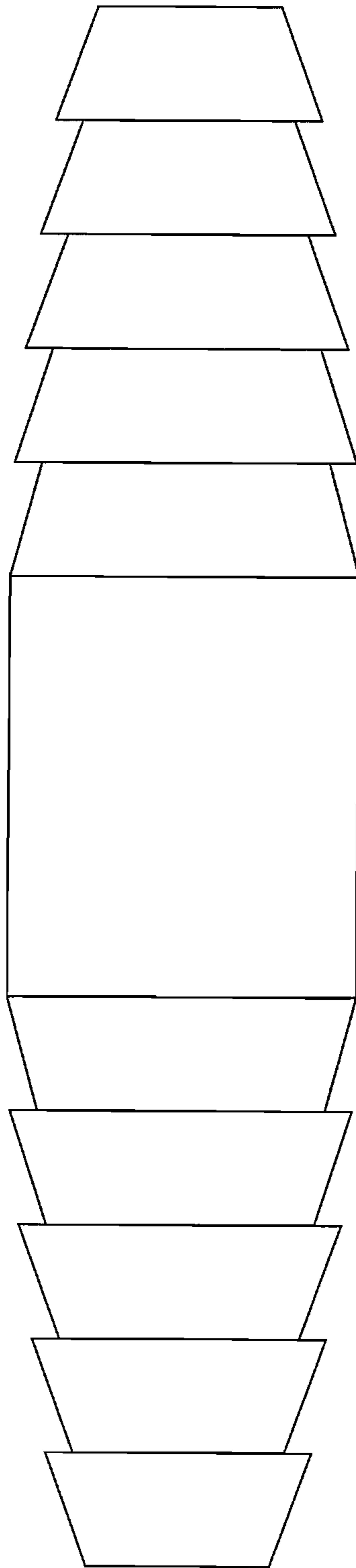


Fig. 6

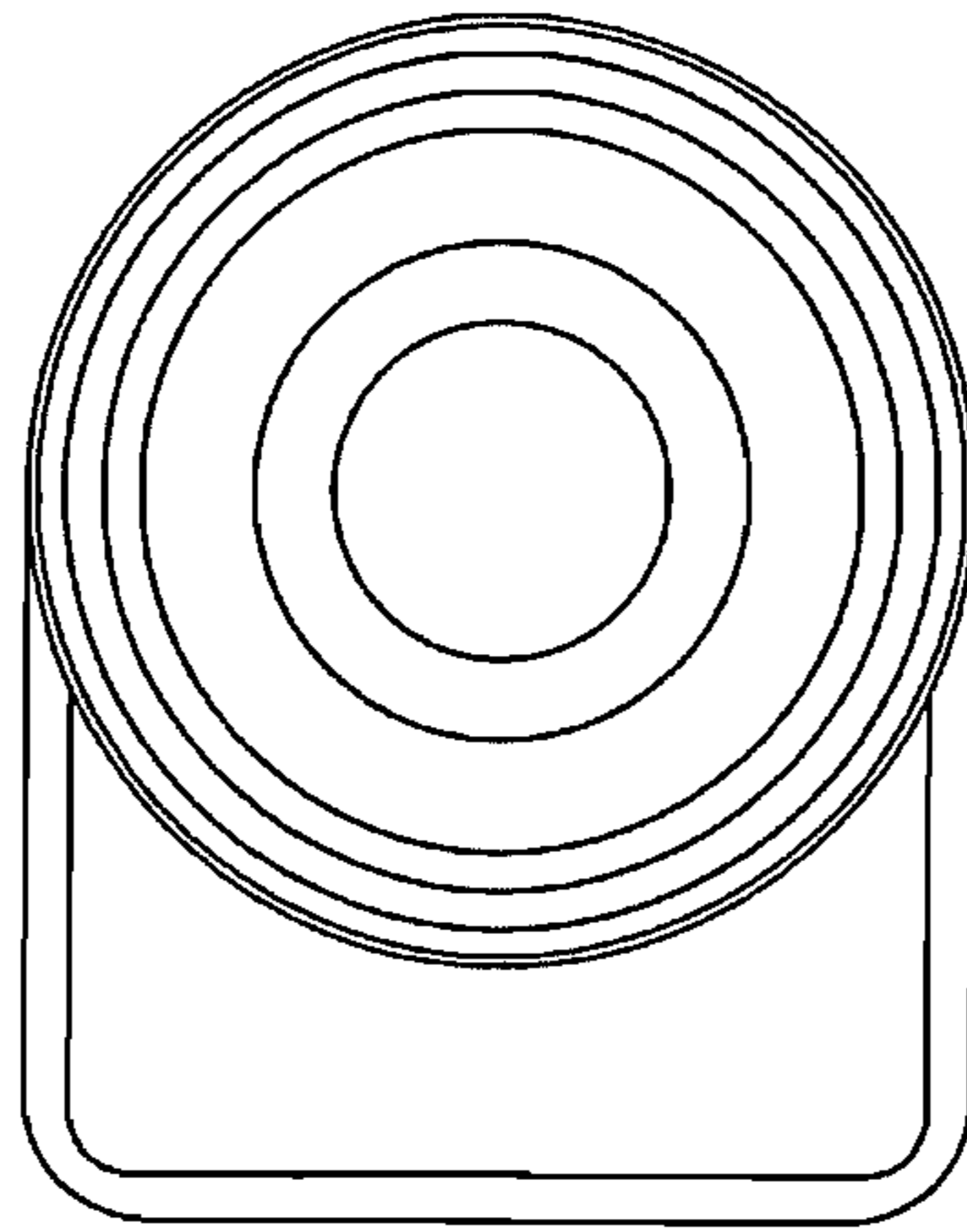


Fig. 7

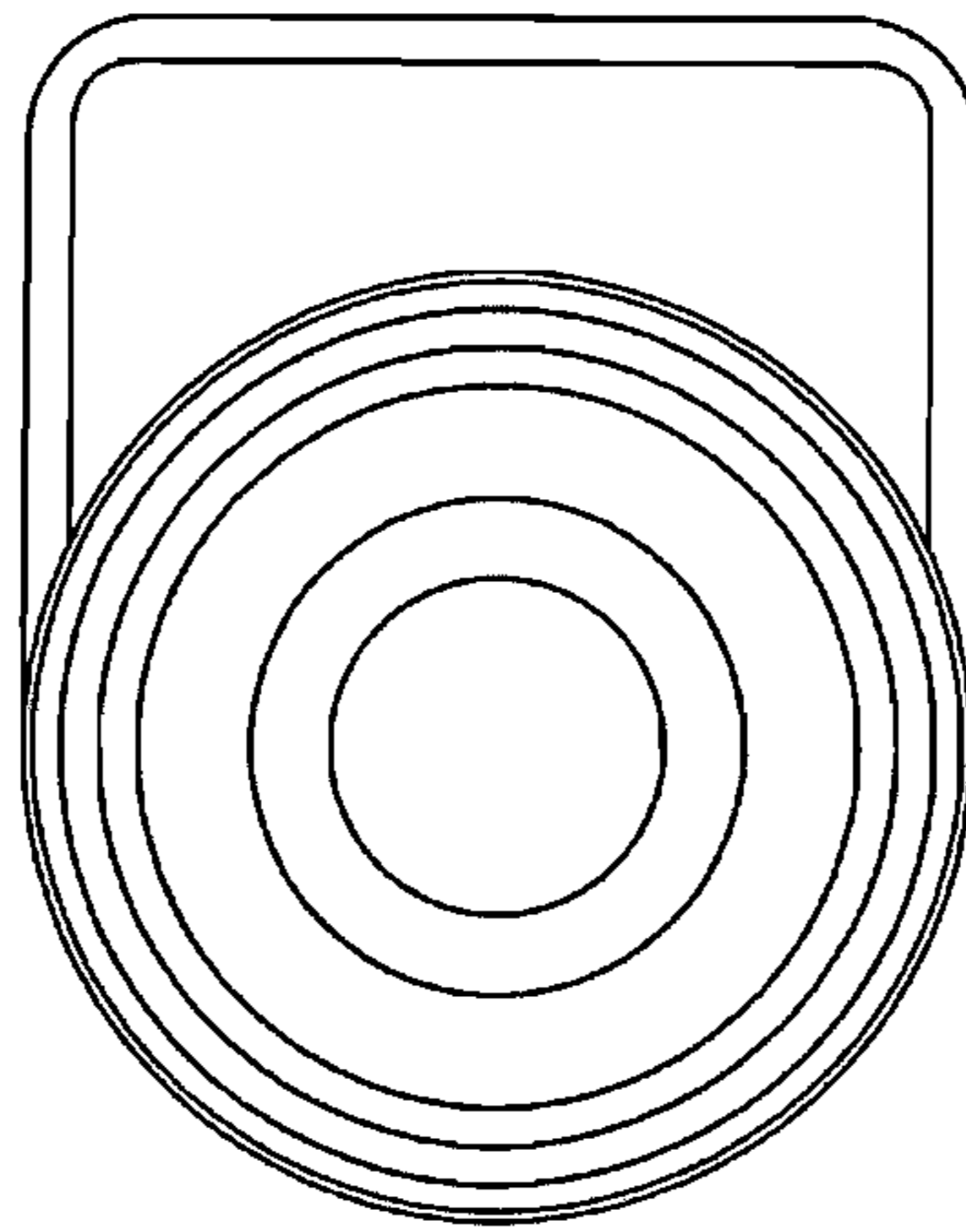


Fig. 8

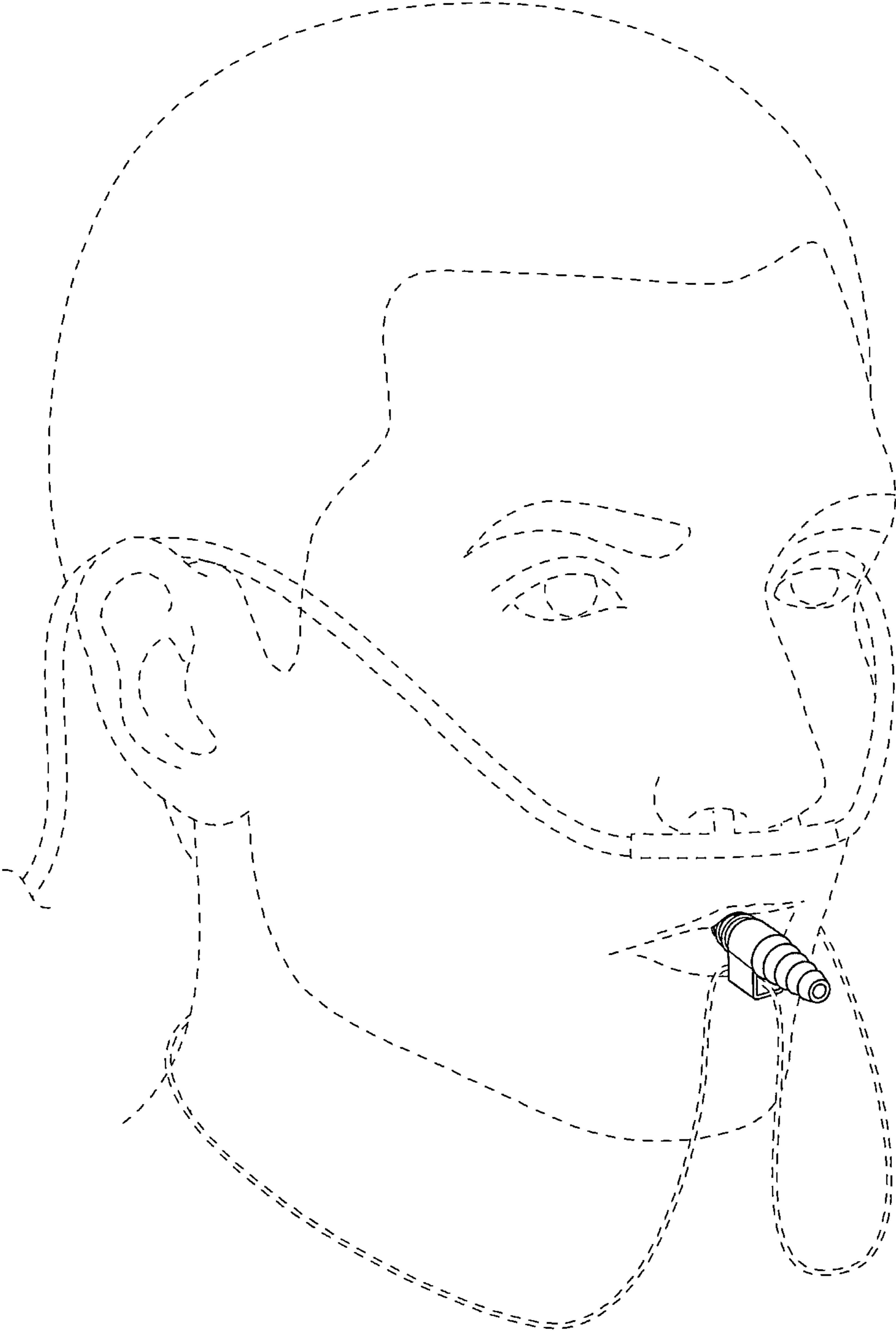


Fig. 9