



US00D973197S

(12) **United States Design Patent** (10) **Patent No.:** **US D973,197 S**
Blanch et al. (45) **Date of Patent:** **** Dec. 20, 2022**

(54) **FRAME FOR A COMBINED CUSHION AND FRAME MODULE FOR PATIENT INTERFACE**

(71) Applicant: **ResMed Pty Ltd**, Bella Vista (AU)
(72) Inventors: **Emily Elizabeth Blanch**, Sydney (AU); **Kishore Markapuram Chengalvarayan**, Sydney (AU); **Luke Emmanuel Klinkenberg**, Sydney (AU); **Michael Kenneth Truscott**, Sydney (AU); **Michiel Kooij**, Sydney (AU); **Paul Derrick Watson**, Sydney (AU); **Rupert Christian Scheiner**, Sydney (AU); **Ryan Michael Kirkpatrick**, Sydney (AU); **Aaron Samuel Davidson**, Sydney (AU); **Adam Francis Barlow**, Sydney (AU); **Kam Man Law**, Sydney (AU); **Lemmy Nga**, Sydney (AU)

(73) Assignee: **ResMed Pty Ltd**, Bella Vista (AU)

(**) Term: **15 Years**

(21) Appl. No.: **29/787,145**

(22) Filed: **Jun. 4, 2021**

Related U.S. Application Data

(62) Division of application No. 29/656,022, filed on Jul. 10, 2018, now Pat. No. Des. 942,614.

(51) **LOC (13) Cl.** **29-02**

(52) **U.S. Cl.**
USPC **D24/110.4**

(58) **Field of Classification Search**
USPC D24/110, 110.1, 110.4, 127

(Continued)

(56) **References Cited**

U.S. PATENT DOCUMENTS

3,513,844 A 5/1970 Smith
4,535,767 A 8/1985 Tiep et al.
(Continued)

FOREIGN PATENT DOCUMENTS

WO WO 2005/076874 A2 8/2005
WO WO 2005/086943 A2 9/2005
(Continued)

OTHER PUBLICATIONS

Kooij et al., U.S. Appl. No. 16/069,308, filed Jul. 11, 2018, entitled "Adjustable Headgear Tubing for a Patient Interface".
(Continued)

Primary Examiner — Mary Shannon Malley
Assistant Examiner — Lee D. Starr

(74) *Attorney, Agent, or Firm* — Nixon & Vanderhye P.C.

(57) **CLAIM**

The ornamental design for a frame for a combined cushion and frame module for patient interface, as shown and described.

DESCRIPTION

FIG. 1 is a front perspective view of a frame for a combined cushion and frame module for patient interface showing a first embodiment of our new design;
FIG. 2 is a perspective view of the frame shown in isolation;
FIG. 3 is a front view thereof;
FIG. 4 is a rear view thereof;
FIG. 5 is a top view thereof;
FIG. 6 is a bottom view thereof;
FIG. 7 is a left side view thereof;
FIG. 8 is a right side view thereof;

(Continued)

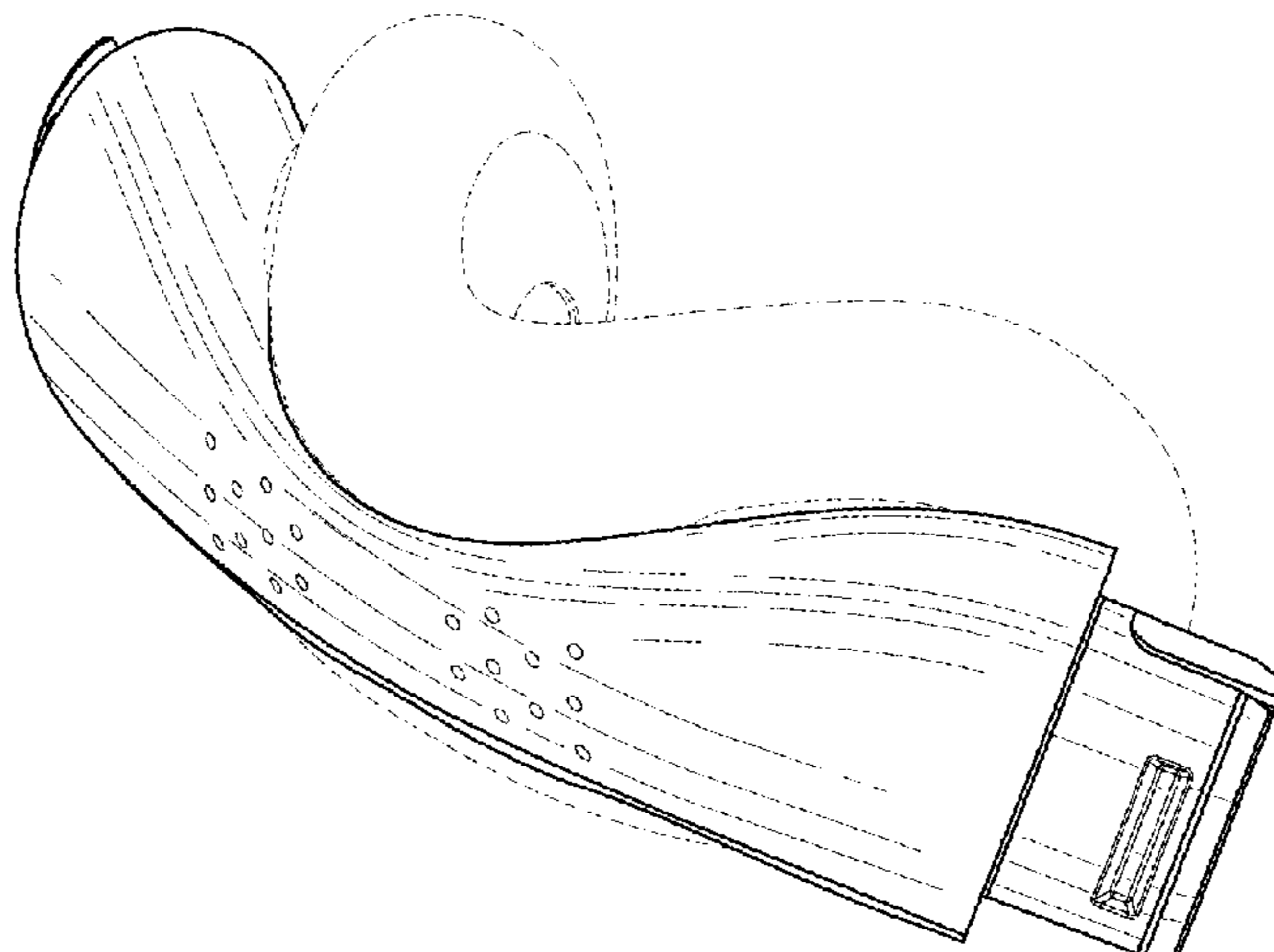


FIG. 9 is a reverse perspective view thereof;
 FIG. 10 is a front perspective view of a frame for a combined cushion and frame module for patient interface showing a second embodiment of our new design;
 FIG. 11 is a perspective view of the frame shown in isolation;
 FIG. 12 is a front view thereof;
 FIG. 13 is a rear view thereof;
 FIG. 14 is a top view thereof;
 FIG. 15 is a bottom view thereof;
 FIG. 16 is a left side view thereof;
 FIG. 17 is a right side view thereof; and,
 FIG. 18 is a reverse perspective view thereof.
 The broken lines in the drawings depict environmental structure and form no part of the claimed design.

1 Claim, 8 Drawing Sheets

(58) Field of Classification Search

CPC A61M 16/0622; A61M 16/06; A61M 16/0616; A61M 16/0666; A61M 16/0683; A61M 16/0672

See application file for complete search history.

(56) References Cited

U.S. PATENT DOCUMENTS

4,878,491	A	11/1989	McGilvray, III
5,069,222	A	12/1991	McDonald, Jr.
5,269,296	A	12/1993	Landis
5,438,979	A	8/1995	Johnson, Jr. et al.
5,538,000	A	6/1996	Rudolph
5,687,715	A	11/1997	Landis
6,044,844	A	4/2000	Kwok et al.
6,478,026	B1	11/2002	Wood
6,595,215	B2	7/2003	Wood
6,679,265	B2	1/2004	Strickland et al.
7,080,645	B2	7/2006	Genger et al.
7,370,652	B2	5/2008	Matula, Jr. et al.
8,985,115	B2	3/2015	Baecke et al.
D799,699	S	10/2017	Higgins
10,029,062	B2	7/2018	Kwok
D829,322	S	9/2018	Eury
D869,637	S	12/2019	Higgins
D869,642	S	12/2019	Andrews
D872,257	S	1/2020	Andrews
D893,013	S	8/2020	Higgins
11,020,558	B2 *	6/2021	Kwok A61M 16/0825
D924,388	S *	7/2021	Blanch D24/110.4
D929,568	S *	8/2021	Baldus D24/110.1
11,083,861	B2 *	8/2021	Chodkowski A61M 16/0622
11,090,455	B2 *	8/2021	Gunaratnam A61M 16/08
D933,206	S *	10/2021	Lucio D24/130
D938,577	S *	12/2021	Blanch D24/110.4
11,202,877	B2 *	12/2021	Judson A61M 16/0666
D942,614	S *	2/2022	Blanch D24/110.4
11,260,193	B2 *	3/2022	Guney A61M 16/0683
11,338,103	B2 *	5/2022	Blanch A61M 16/0683
2004/0025885	A1	2/2004	Payne, Jr.
2005/0205096	A1	9/2005	Matula, Jr. et al.
2006/0213521	A1	9/2006	Radney
2006/0231102	A1	10/2006	Bordewick et al.

2008/0060649	A1	3/2008	Veliss et al.
2009/0223518	A1	9/2009	Kwok
2010/0018534	A1	1/2010	Veliss et al.
2010/0313891	A1	12/2010	Veliss et al.
2011/0247619	A1	10/2011	Formica et al.
2012/0325219	A1	12/2012	Smith
2014/0311492	A1	10/2014	Stuebiger
2015/0083136	A1	3/2015	Koninklijke
2015/0182719	A1	7/2015	Grashow et al.
2015/0352306	A1	12/2015	Scheiner et al.
2016/0082214	A1	3/2016	Barlow et al.
2016/0296720	A1	10/2016	Henry et al.
2017/0224944	A1	8/2017	Gunaratnam et al.
2017/0291004	A1	10/2017	Ng et al.
2017/0312468	A1	11/2017	Formica et al.
2018/0099113	A1	4/2018	Bell
2018/0140795	A1	5/2018	Wells et al.
2018/0147382	A1	5/2018	Hlopick
2018/0264218	A1	9/2018	Chodkowski
2019/0091428	A1	3/2019	Chodkowski
2019/0388639	A1	12/2019	Grashow
2020/0046933	A1	2/2020	Himes
2020/0078545	A1	3/2020	Haibach
2020/0384229	A1	12/2020	Lashinsky
2021/0030990	A1	2/2021	Klinkenberg
2021/0093236	A1	4/2021	Margaria
2021/0178102	A1 *	6/2021	Chodkowski A61M 16/0644
2021/0213218	A1 *	7/2021	Barlow A61M 16/08
2021/0330921	A1 *	10/2021	Veliss A61M 16/06
2021/0361898	A1 *	11/2021	Grashow A61M 16/0816
2021/0386953	A1 *	12/2021	Gunaratnam A61M 16/0633

FOREIGN PATENT DOCUMENTS

WO	WO 2005/099801	A1	10/2005
WO	WO 2007/028877	A2	3/2007
WO	WO 2008/011682	A1	1/2008
WO	WO 2008/011683	A1	1/2008
WO	WO 2009/139647	A1	11/2009
WO	WO 2010/131189	A1	11/2010
WO	WO 2011/110962	A1	9/2011
WO	WO 2012/061783	A1	5/2012
WO	WO 2014/013371	A1	1/2014
WO	WO 2015/196255	A1	12/2015
WO	WO 2016/032343	A1	3/2016
WO	WO 2016/149769	A2	9/2016
WO	WO 2016/193859	A1	12/2016
WO	WO 2017/124152	A1	7/2017
WO	WO 2017/185140	A1	11/2017
WO	WO 2018/176094	A1	10/2018

OTHER PUBLICATIONS

Blanch et al., U.S. Appl. No. 29/656,011, filed Jul. 10, 2018, entitled "Patient Interface".
 Barlow et al., U.S. Appl. No. 29/663,085, filed Sep. 12, 2018, entitled "Patient Interface and/or Components Thereof".
 Klinkenberg, Luke Emmanuel, U.S. Appl. No. 62/625,571, filed Feb. 2, 2018, entitled "Connector Assembly".
 Blanch et al., U.S. Appl. No. 62/764,995, filed Aug. 20, 2018, entitled "Headgear for a Patient Interface".
 Davidson et al., U.S. Appl. No. 62/764,992, filed Aug. 20, 2018, entitled "Patient Interface".
 Blanch et al., U.S. Appl. No. 29/656,022, filed Jul. 10, 2018, for "Patient Interface and/or Components Thereof," (parent application).

* cited by examiner

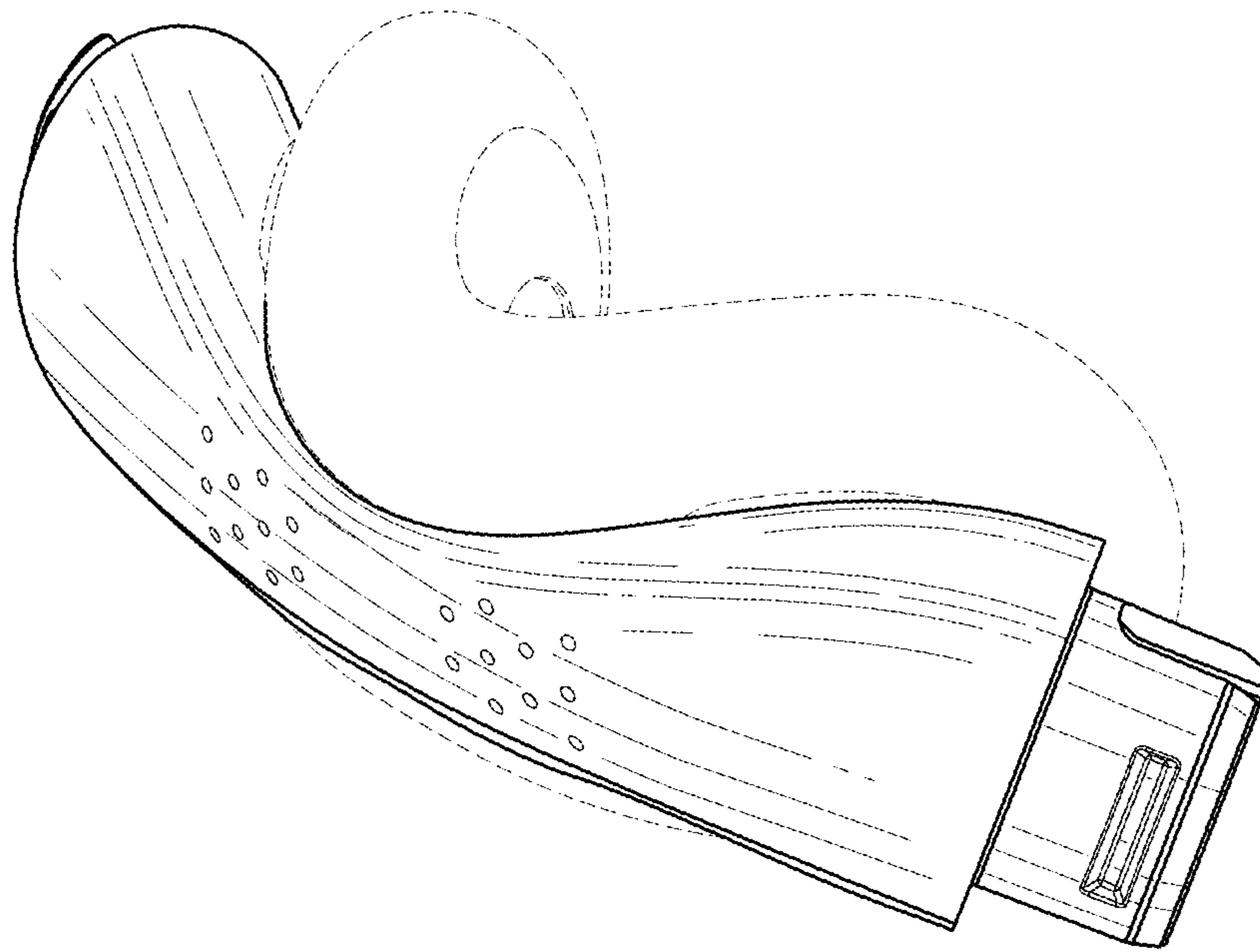


FIG. 1

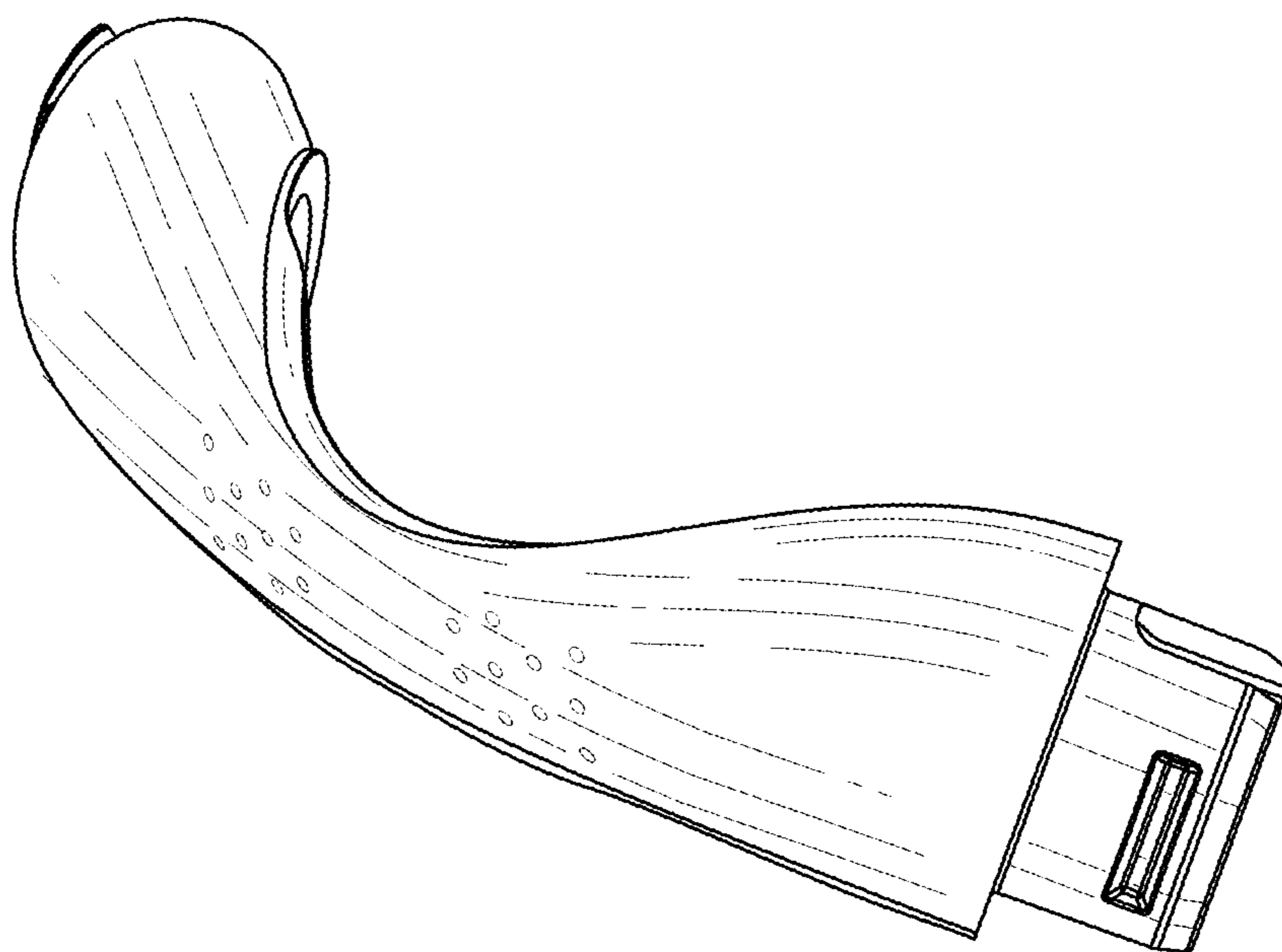


FIG. 2

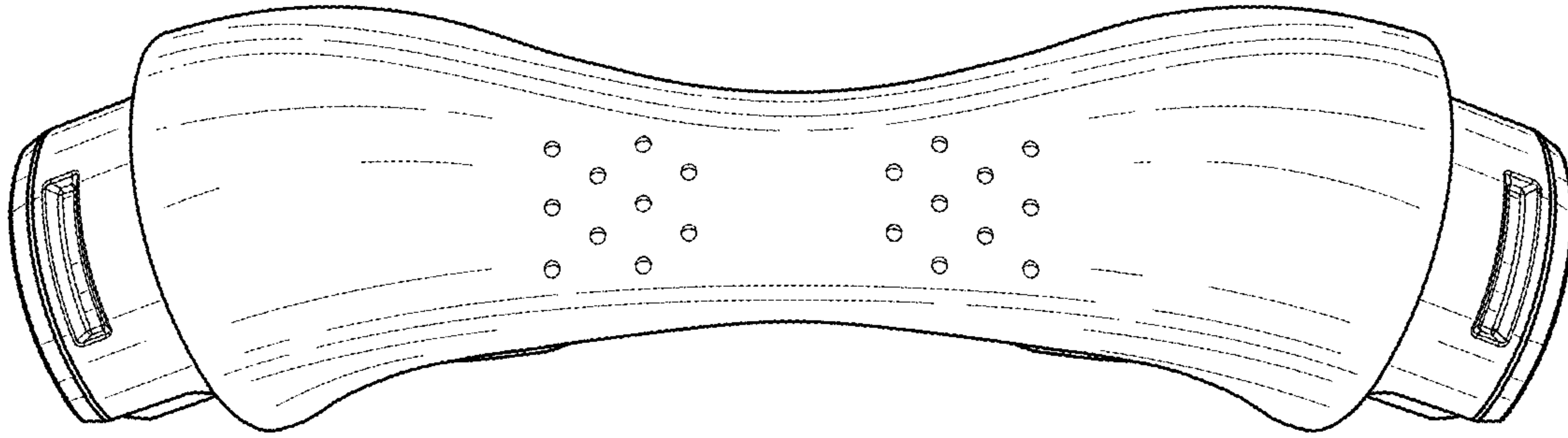


FIG. 3

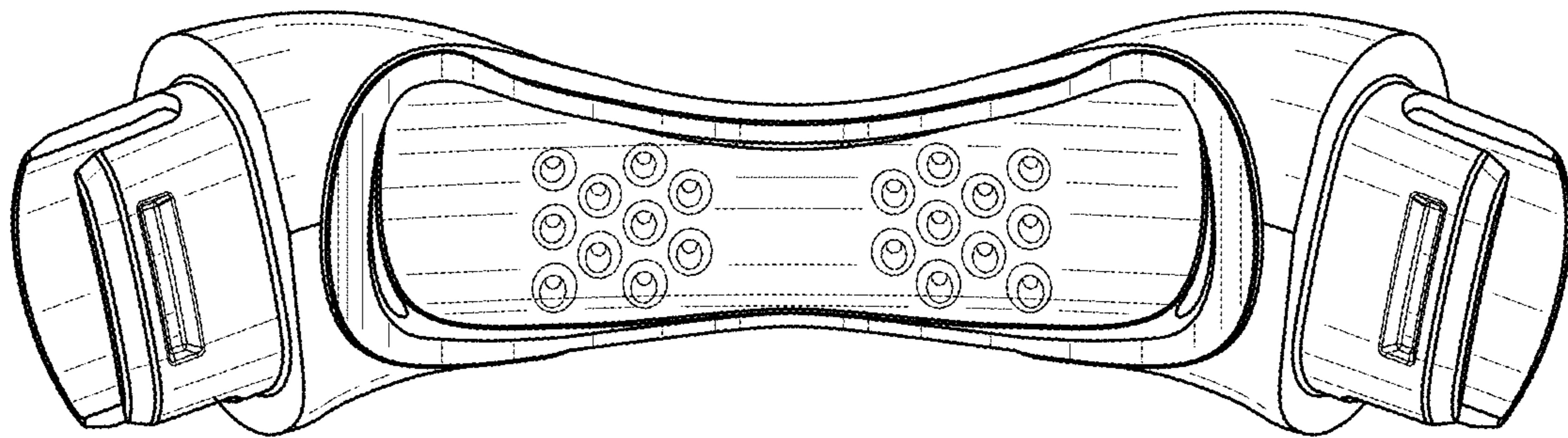


FIG. 4

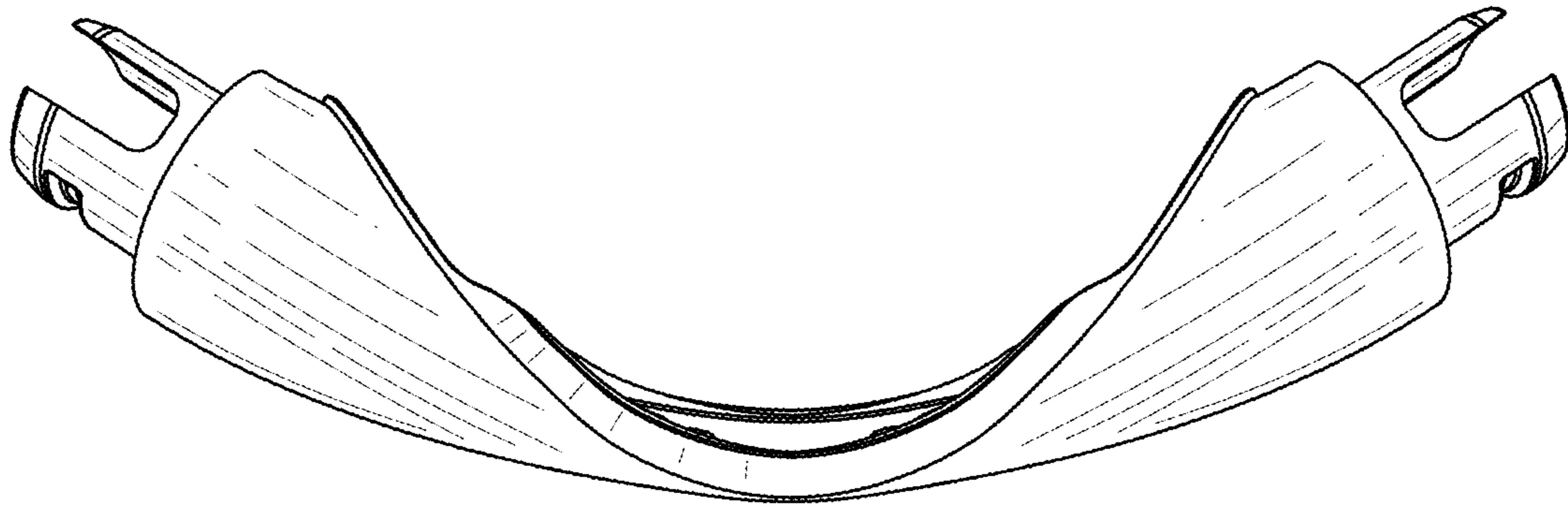


FIG. 5

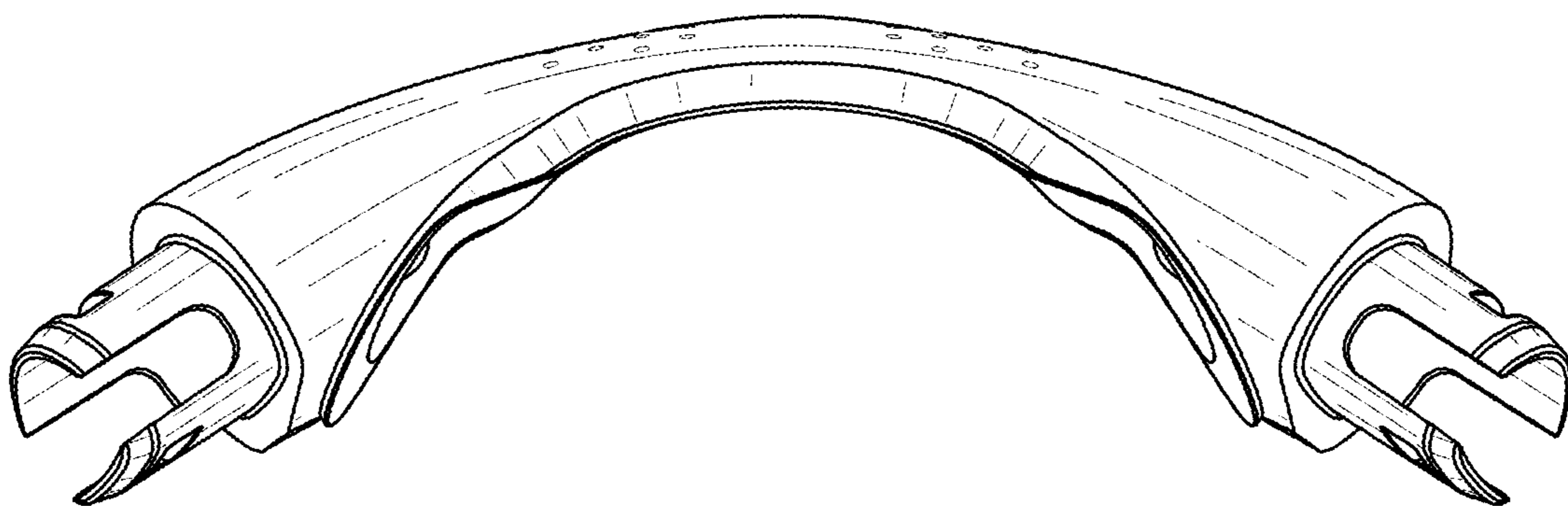


FIG. 6

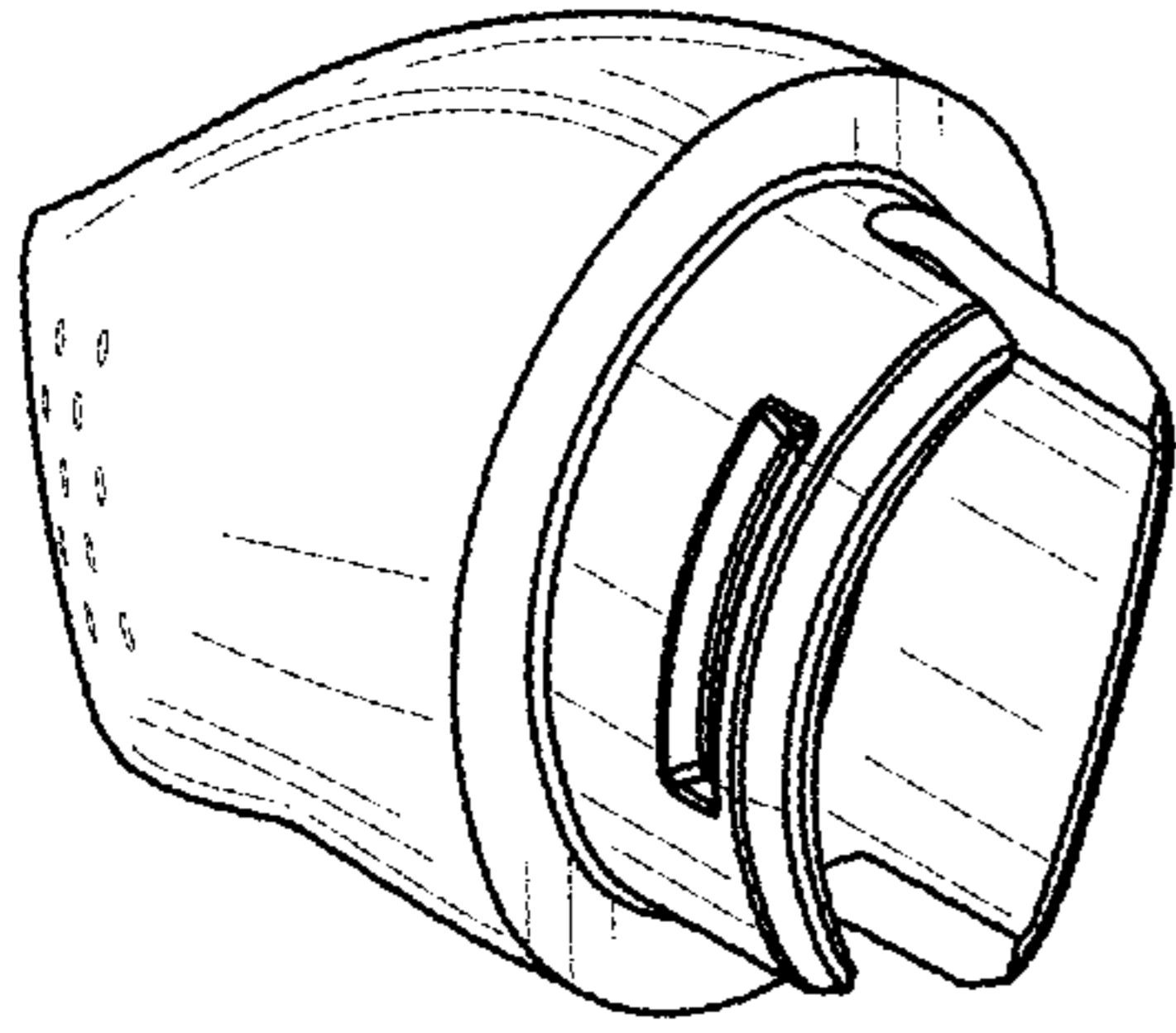


FIG. 7

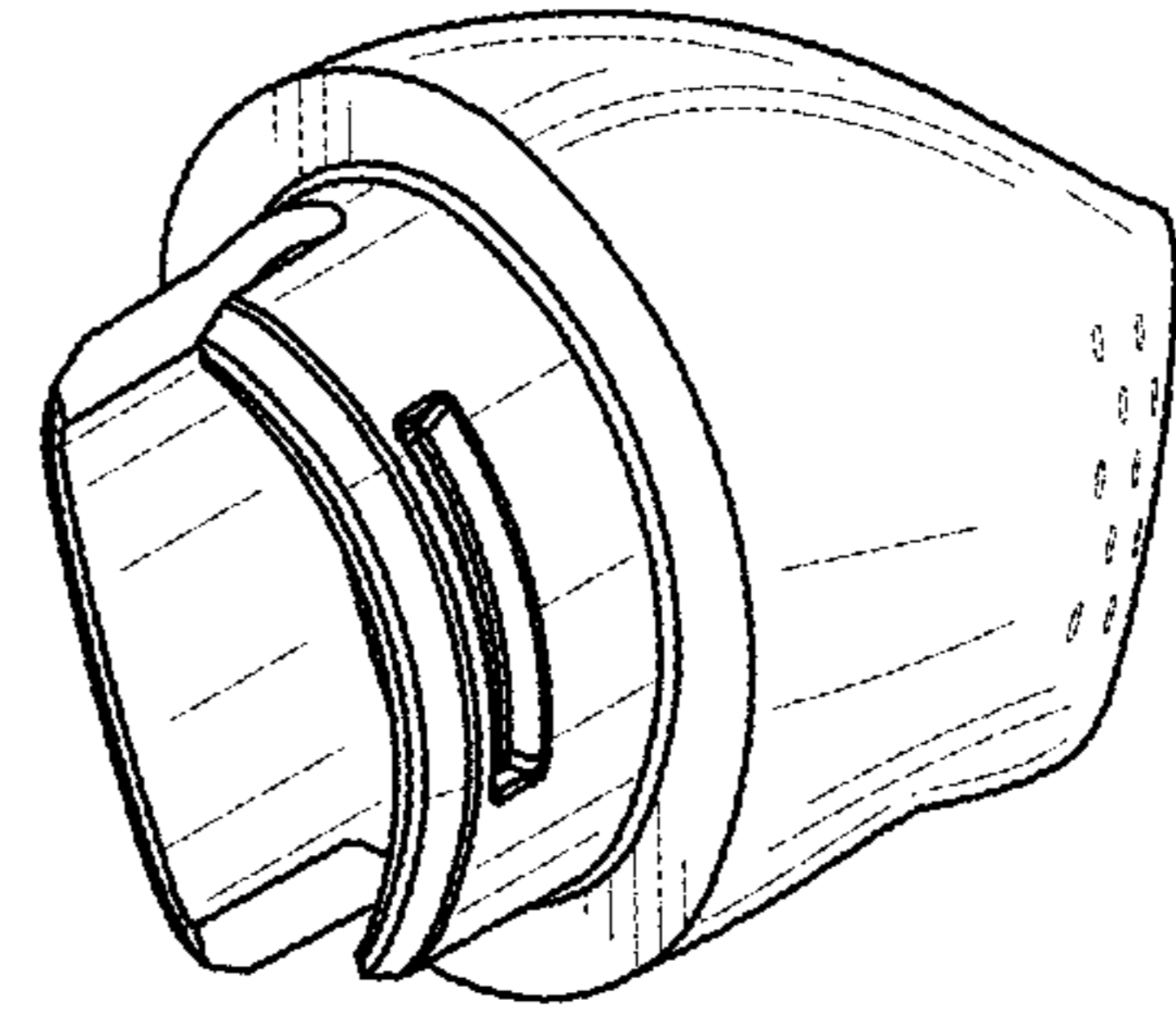


FIG. 8

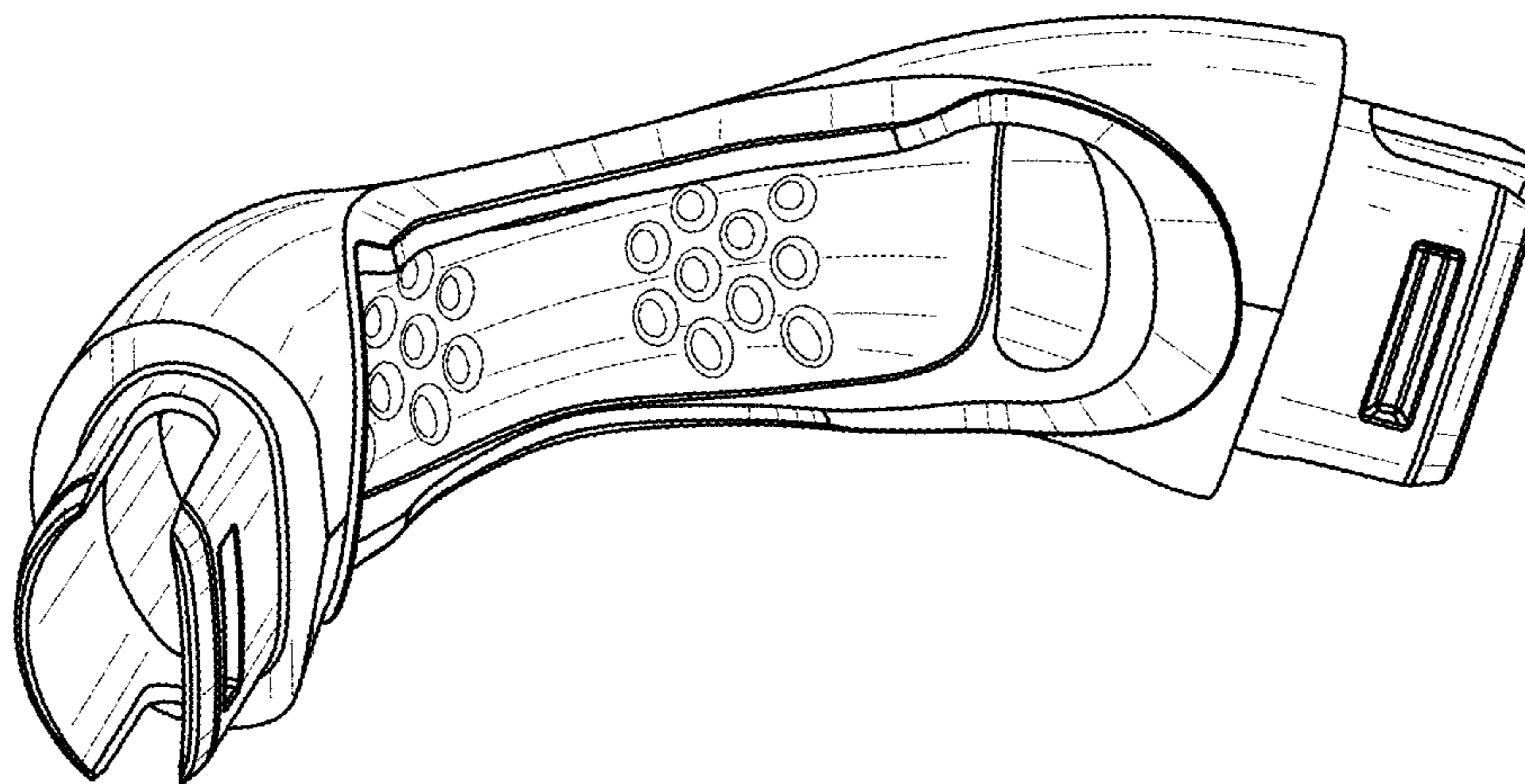


FIG. 9

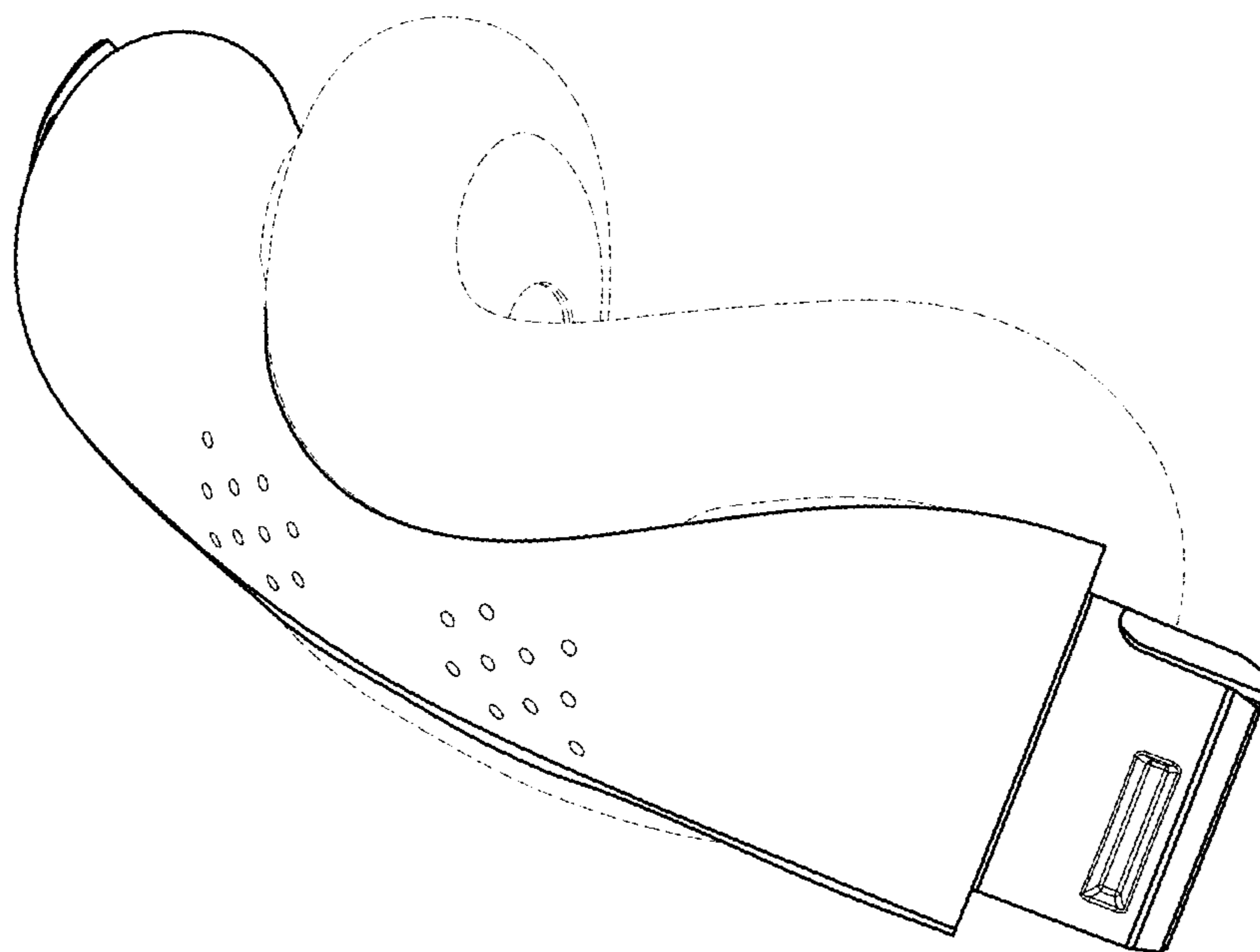


FIG. 10

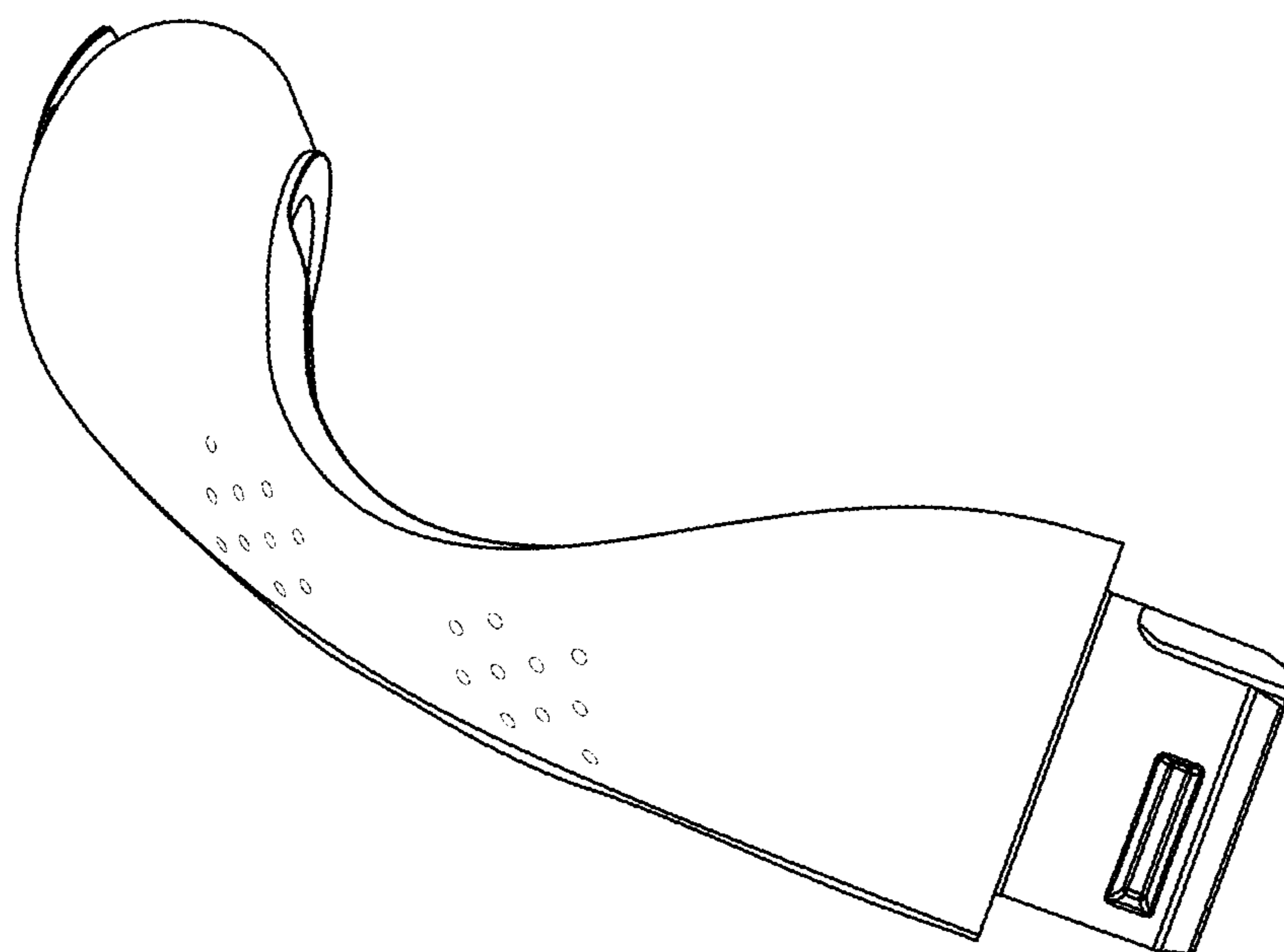


FIG. 11

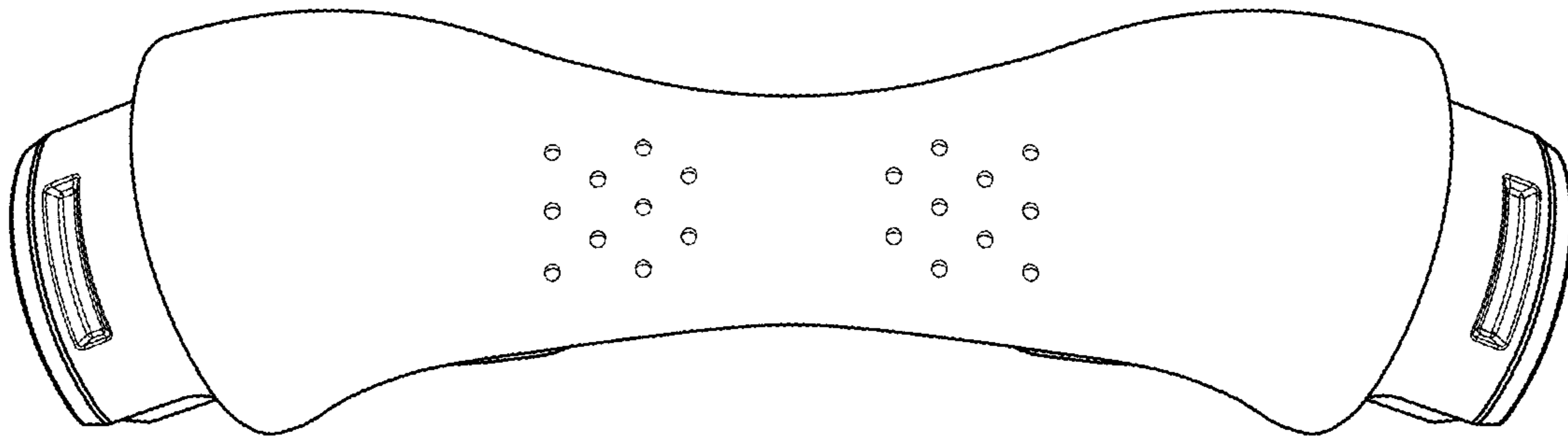


FIG. 12

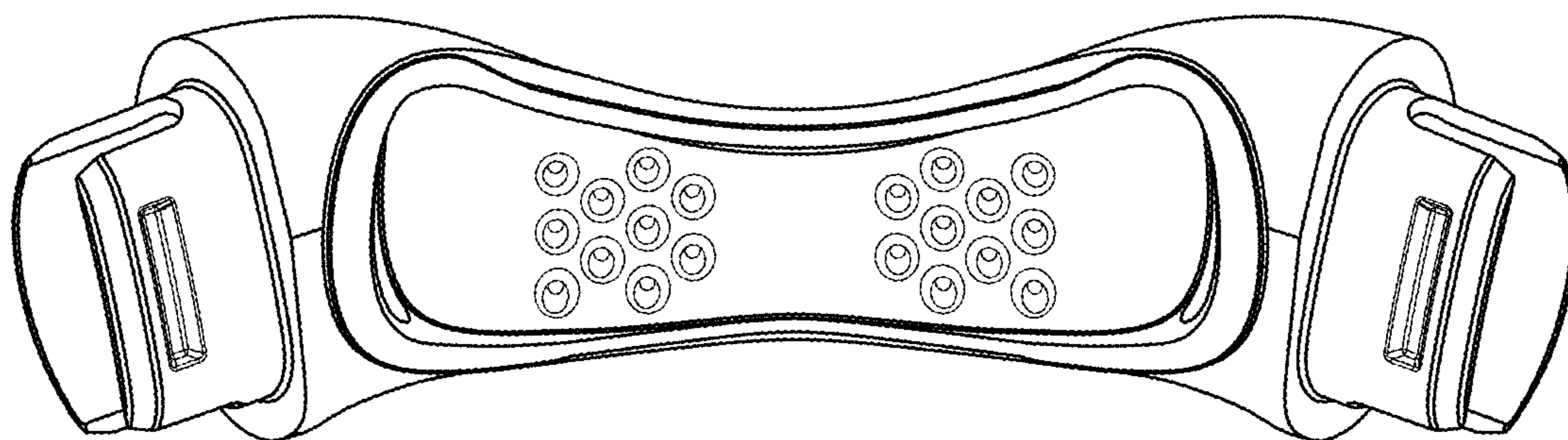


FIG. 13

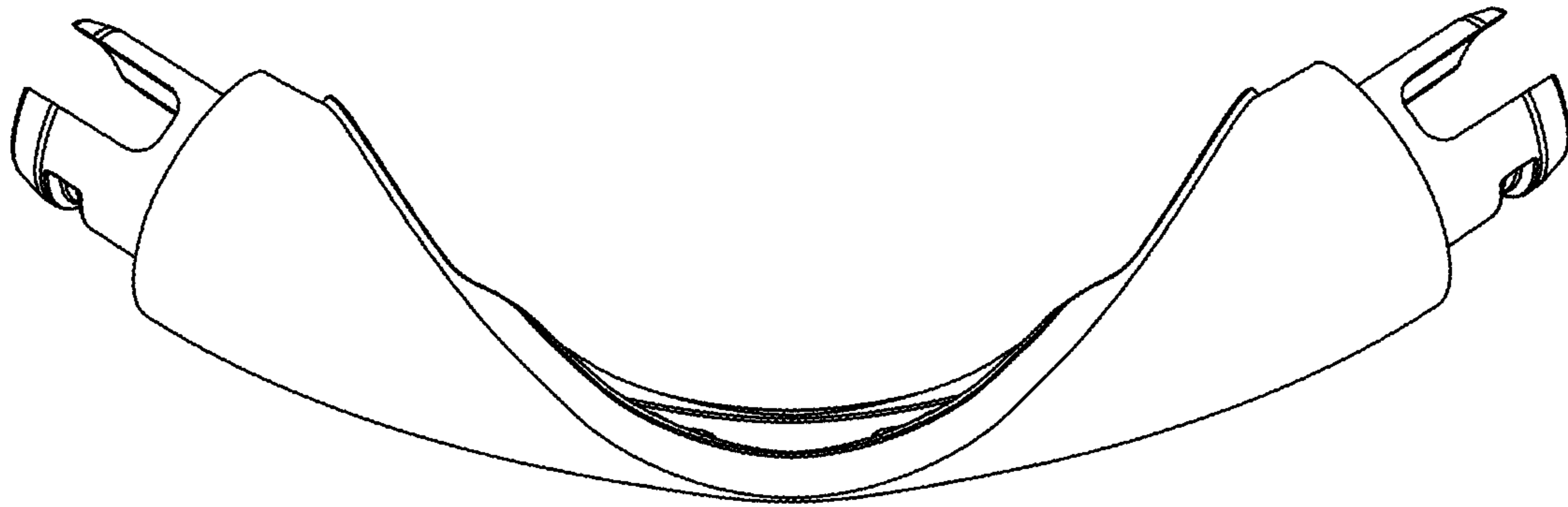


FIG. 14

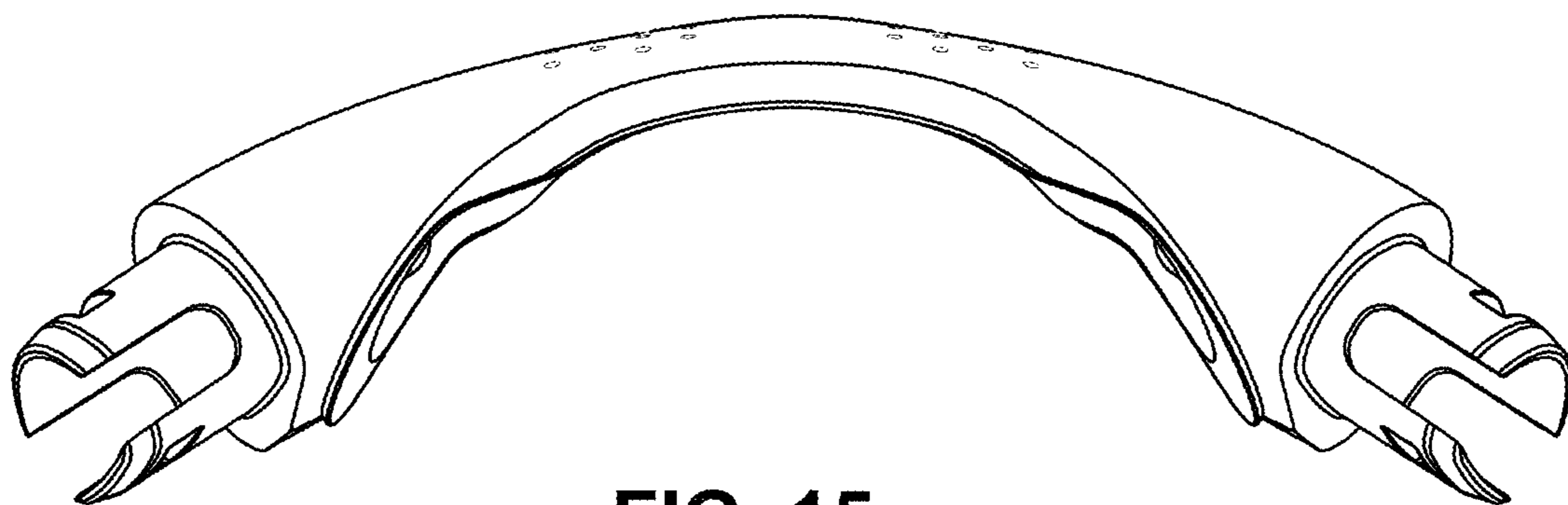


FIG. 15

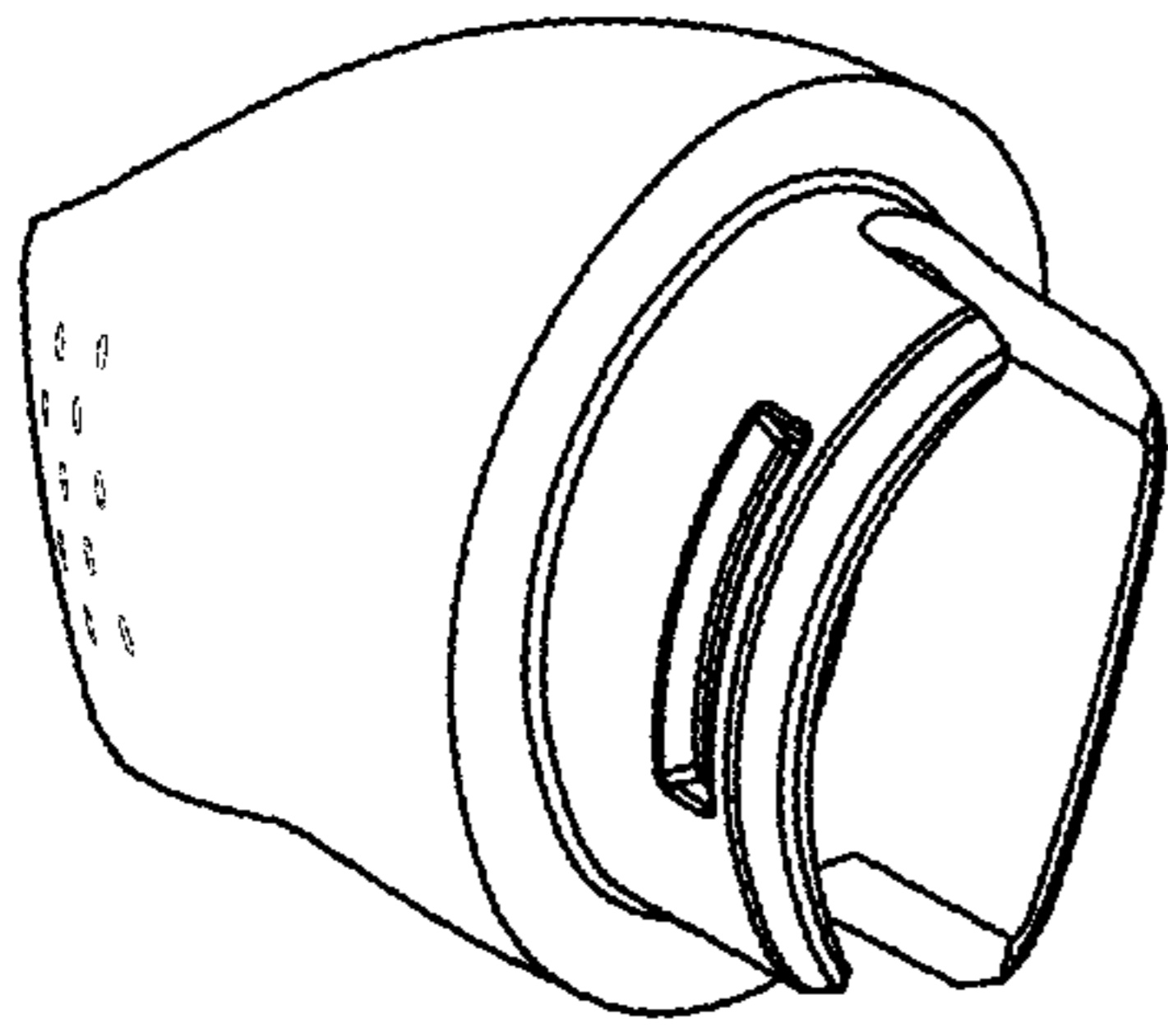


FIG. 16

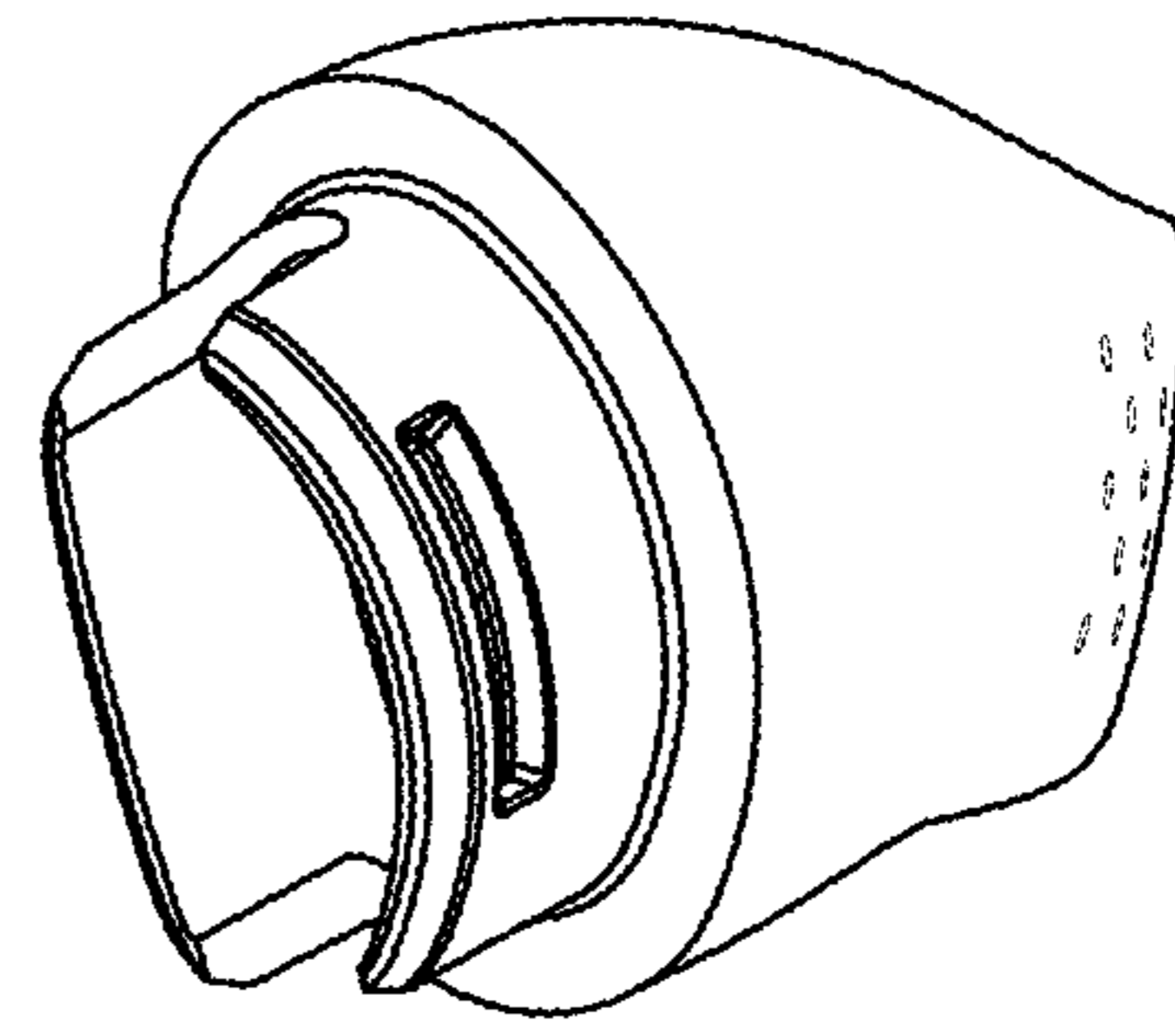


FIG. 17

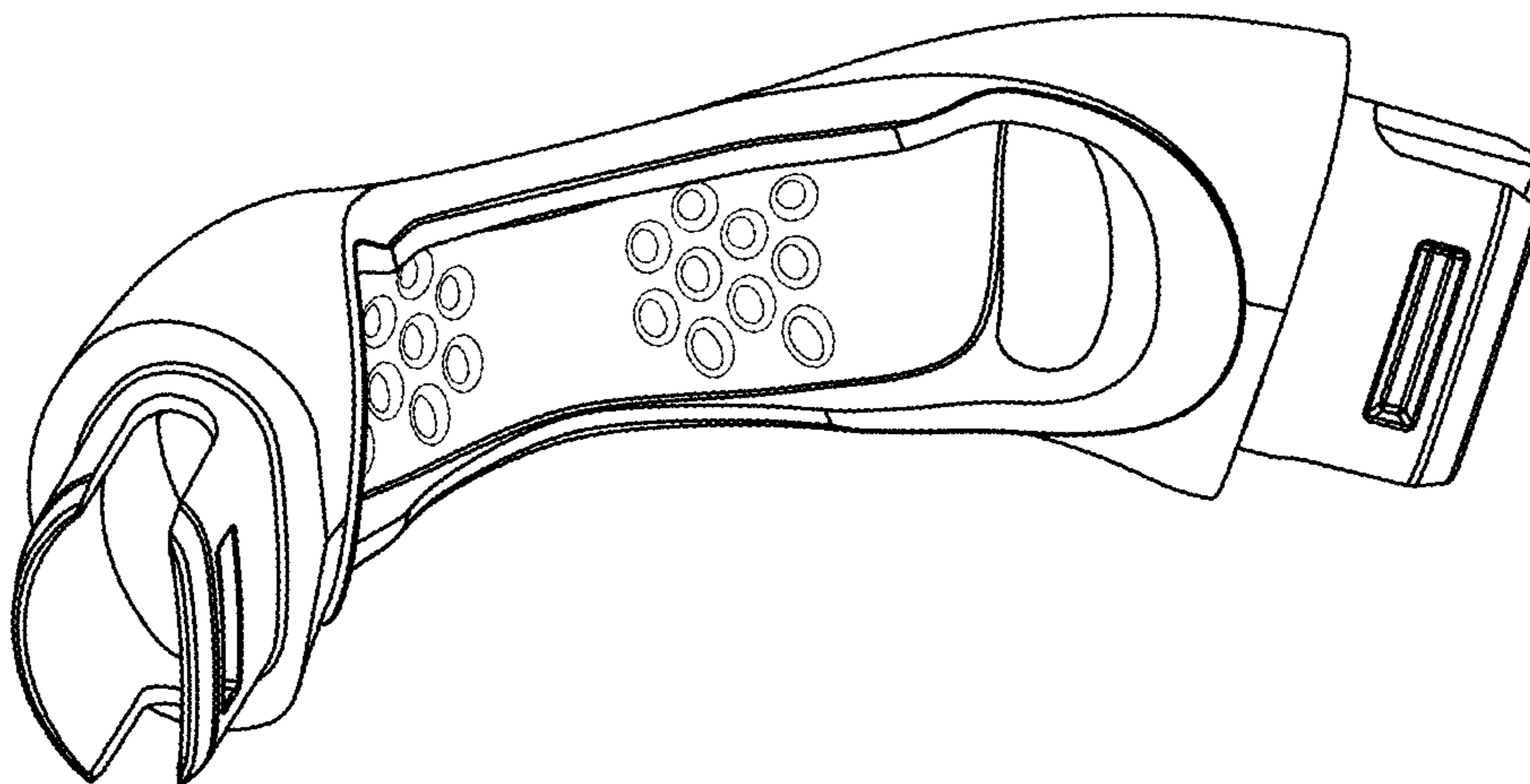


FIG. 18