



US00D973195S

(12) **United States Design Patent**  
**Santolucito et al.**

(10) **Patent No.:** **US D973,195 S**

(45) **Date of Patent:** **\*\* Dec. 20, 2022**

(54) **CEILING FAN MOTOR HOUSING**

(71) Applicant: **HUNTER FAN COMPANY**,  
Memphis, TN (US)

(72) Inventors: **Phillip Santolucito**, Memphis, TN  
(US); **Agustin Chacon**, Memphis, TN  
(US)

(73) Assignee: **Hunter Fan Company**, Memphis, TN  
(US)

(\*\*) Term: **15 Years**

(21) Appl. No.: **29/695,306**

(22) Filed: **Jun. 18, 2019**

**Related U.S. Application Data**

(63) Continuation of application No. 29/608,512, filed on  
Jun. 22, 2017, now Pat. No. Des. 856,503, which is a  
(Continued)

(51) **LOC (13) Cl.** ..... **23-04**

(52) **U.S. Cl.**  
USPC ..... **D23/411**

(58) **Field of Classification Search**  
USPC ..... D23/370, 377, 385, 411, 412; D26/59  
(Continued)

(56) **References Cited**

**U.S. PATENT DOCUMENTS**

2,765,859 A 10/1956 Hartzell et al.  
2,918,977 A 12/1959 Fedan et al.

(Continued)

**FOREIGN PATENT DOCUMENTS**

CN 2043806 U 8/1989  
CN 201068875 Y 6/2008

(Continued)

**OTHER PUBLICATIONS**

Chinese Patent Office, Office Action re Corresponding Application  
No. 202110269505.8, Jul. 11, 2022, 9 pages, China.

(Continued)

*Primary Examiner* — Janice Hallmark

(74) *Attorney, Agent, or Firm* — McGarry Bair PC

(57) **CLAIM**

The ornamental design for a ceiling fan motor housing, as  
shown and described.

**DESCRIPTION**

FIG. 1 is a top perspective view of a ceiling fan motor  
housing showing our new design in the environment of a  
ceiling fan;

FIG. 2 is an enlarged detail view thereof, showing the  
portion of the ceiling fan motor housing and environment  
encircled in FIG. 1;

FIG. 3 is another top perspective view of the ceiling fan  
motor housing shown in the environment of a ceiling fan;

FIG. 4 is a bottom perspective view thereof;

FIG. 5 is a side view thereof;

FIG. 6 is another side view thereof;

FIG. 7 is a bottom view thereof;

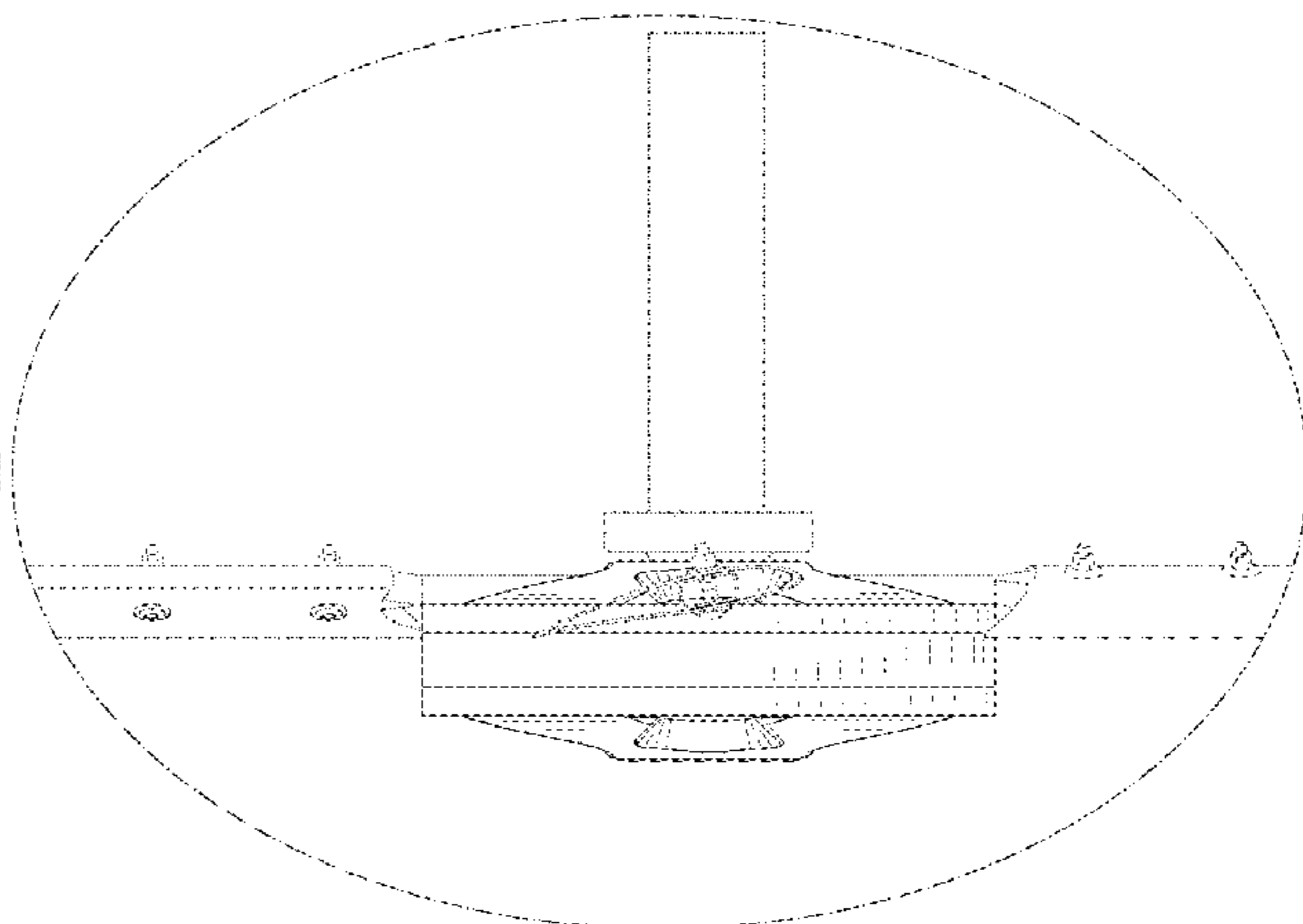
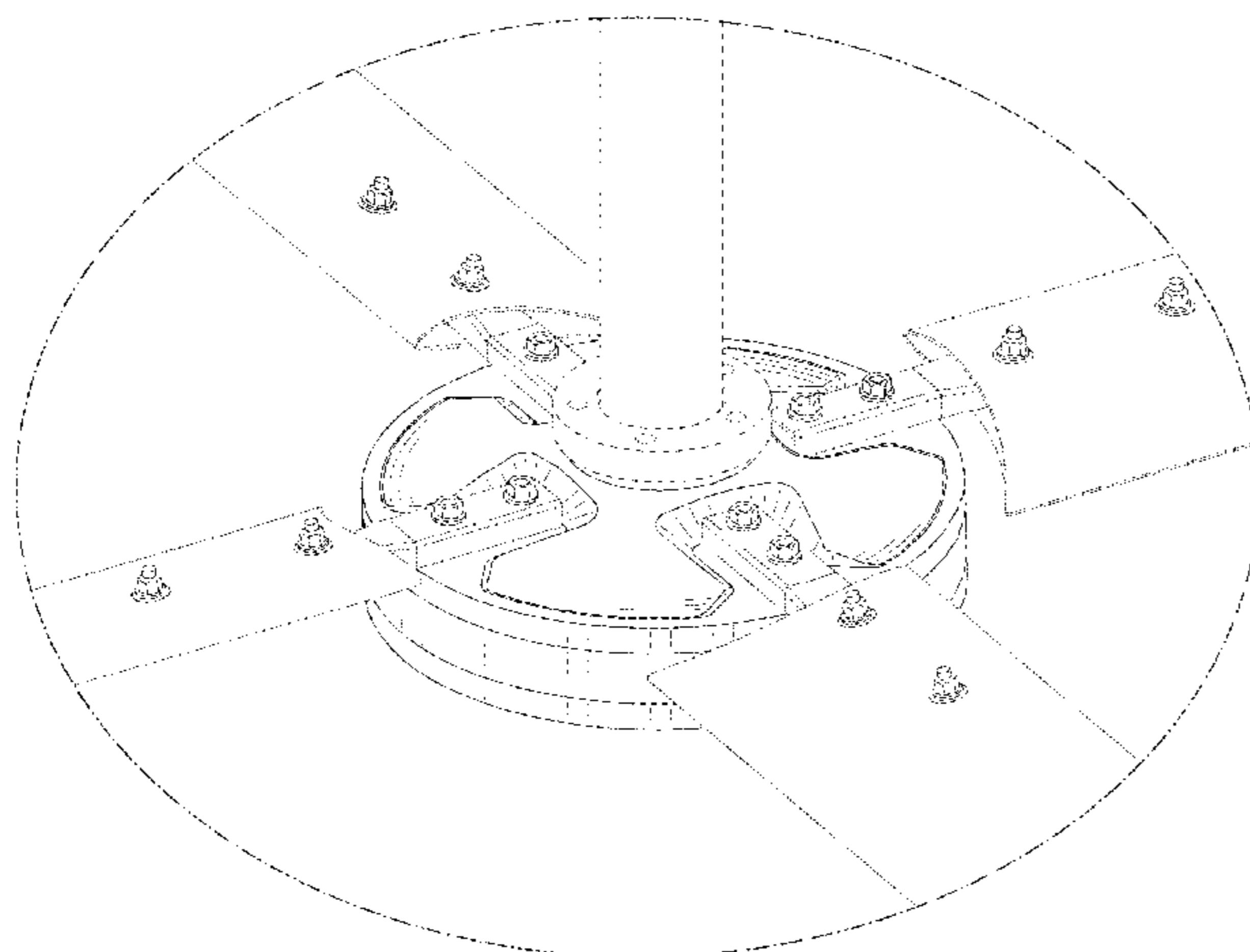
FIG. 8 is a top view thereof;

FIG. 9 is an enlarged detail view thereof, showing the  
portion of the ceiling fan motor housing and environment  
encircled in FIG. 3; and,

FIG. 10 is an enlarged detail view thereof, showing the  
portion of the ceiling fan motor housing and environment  
encircled in FIG. 5.

Portions of the ceiling fan motor housing and ceiling fan  
environment are shown in broken lines. Portions of the  
ceiling fan motor housing and ceiling fan environment  
shown in broken line form no part of the claimed design.

**1 Claim, 10 Drawing Sheets**



**Related U.S. Application Data**

continuation of application No. 15/378,806, filed on Dec. 14, 2016, now Pat. No. 10,648,485.

(58) **Field of Classification Search**

CPC .... F21V 33/0096; F04D 25/08; F04D 25/088; F04D 29/703; F04D 29/34; F04D 25/388  
See application file for complete search history.

(56) **References Cited**

U.S. PATENT DOCUMENTS

4,073,598	A	2/1978	Mizutani et al.	
4,275,993	A	6/1981	Sprengling	
4,594,018	A	6/1986	Larsson et al.	
4,611,139	A	9/1986	Godkin et al.	
4,637,673	A	1/1987	Yang	
4,657,485	A	4/1987	Hartwig	
4,808,071	A	2/1989	Chau	
4,878,806	A	11/1989	Markwardt	
5,085,392	A	2/1992	Perna	
5,246,343	A	9/1993	Windsor et al.	
5,256,037	A	10/1993	Chatelain	
D345,790	S *	4/1994	Caldwell	D23/385
5,435,514	A	7/1995	Kerr	
5,520,515	A	5/1996	Bailey et al.	
D372,080	S *	7/1996	Dolan	D23/385
5,613,832	A	3/1997	Su	
D389,908	S *	1/1998	Dolan	D23/385
5,851,107	A	12/1998	Wang	
D407,155	S *	3/1999	Liu	D26/85
5,883,449	A	3/1999	Mehta et al.	
6,039,541	A	3/2000	Parker et al.	
6,250,886	B1	6/2001	Immell et al.	
D448,841	S *	10/2001	Campbell	D23/411
6,382,917	B1	5/2002	Zuege	
6,390,777	B1	5/2002	Kerr, Jr.	
6,528,914	B2	3/2003	Kloeppel et al.	
6,592,328	B1	7/2003	Cahill	
D480,793	S *	10/2003	Burns	D23/411
6,630,758	B2	10/2003	Aoki et al.	
6,726,453	B1	4/2004	Hsieh	
6,817,835	B2	11/2004	Boyd et al.	
7,210,910	B1	5/2007	Parker et al.	
7,284,960	B2	10/2007	Aynsley	
7,615,898	B2	11/2009	Chang	
7,625,186	B1	12/2009	Lueddecke	
7,726,945	B2	6/2010	Grant et al.	
7,780,418	B2	8/2010	Wang	
7,785,077	B2	8/2010	Richardson et al.	
D626,209	S *	10/2010	Searle	D23/411
D627,052	S *	11/2010	Pan	D23/411
D627,456	S *	11/2010	Glasbrenner	D23/411
7,955,055	B1	6/2011	Boyd et al.	
8,066,480	B2	11/2011	Madsen et al.	
D671,631	S *	11/2012	Searle	D23/411
8,314,523	B2	11/2012	Lin	
8,523,378	B2	9/2013	Schulzman	
8,579,588	B1	11/2013	Boyd	
8,602,725	B2	12/2013	Itou et al.	
8,672,649	B2	3/2014	Smith et al.	
8,827,652	B2	9/2014	Witt	
8,827,664	B2	9/2014	McCloud et al.	
8,840,379	B2	9/2014	Wang	
8,876,468	B2	11/2014	Aynsley et al.	
8,956,124	B2	2/2015	Boyd et al.	
D726,897	S *	4/2015	Hatz	D23/411

9,102,397	B2	8/2015	Wood	
D745,655	S *	12/2015	Pickett	D23/411
D779,052	S *	2/2017	Gajewski	D26/59
9,859,773	B2	1/2018	Yin et al.	
D856,503	S *	8/2019	Santolucito	F04D 29/601 D23/377
D912,238	S *	3/2021	Santolucito	F04D 29/646 D26/59
D938,010	S *	12/2021	Robinson	D23/411
11,371,517	B2 *	6/2022	Robinson	F04D 29/329
2006/0039809	A1	2/2006	Fan	
2006/0147310	A1	7/2006	Steiner	
2008/0107527	A1	5/2008	Gajewski	
2008/0203837	A1	8/2008	Tang	
2008/0317616	A1	12/2008	Yu	
2009/0081045	A1	3/2009	Scherer et al.	
2009/0180888	A1	7/2009	Parker et al.	
2010/0109465	A1	5/2010	Yang et al.	
2011/0020135	A1	1/2011	Itou et al.	
2013/0136632	A1	5/2013	Stocks et al.	
2013/0189104	A1	7/2013	Hollan et al.	
2013/0189109	A1	7/2013	Noble	
2013/0209293	A1	8/2013	Kawano et al.	
2014/0348649	A1	11/2014	Oleson	
2015/0023802	A1	1/2015	Oleson et al.	
2015/0037164	A1	2/2015	Fizer et al.	
2015/0090858	A1	4/2015	Broughman	
2015/0240824	A1	8/2015	Jones et al.	
2015/0260199	A1	9/2015	Hollan	
2015/0333592	A1	11/2015	Yin et al.	
2017/0159664	A1	6/2017	Du	

FOREIGN PATENT DOCUMENTS

CN	201113613	Y	9/2008
CN	101394124	A	3/2009
CN	201305128		9/2009
CN	202145590	U	2/2012
CN	102510137	A	6/2012
CN	102536864	A1	7/2012
CN	202309389	U	7/2012
CN	202520640		11/2012
CN	103174465	A	6/2013
CN	203574521	U	4/2014
CN	203660757	U	6/2014
CN	104214137	A	12/2014
CN	204025144	U	12/2014
CN	204041489	U	12/2014
CN	105099080	A	11/2015
CN	105201893		12/2015
CN	204992877		1/2016
CN	205533349		8/2016
DE	102004001942	A1	9/2005
EP	2397784	A1	12/2011
GB	258730	A	9/1926
GB	911310	A	11/1962
GB	2235598	A	3/1991
JP	2013217273	A	10/2013
WO	2002081927	A1	10/2002
WO	2009111708	A1	9/2009

OTHER PUBLICATIONS

Chinese Patent Office, Office Action re Corresponding Application No. 202110271711.2, Jun. 24, 2022, 7 pages, China.

\* cited by examiner

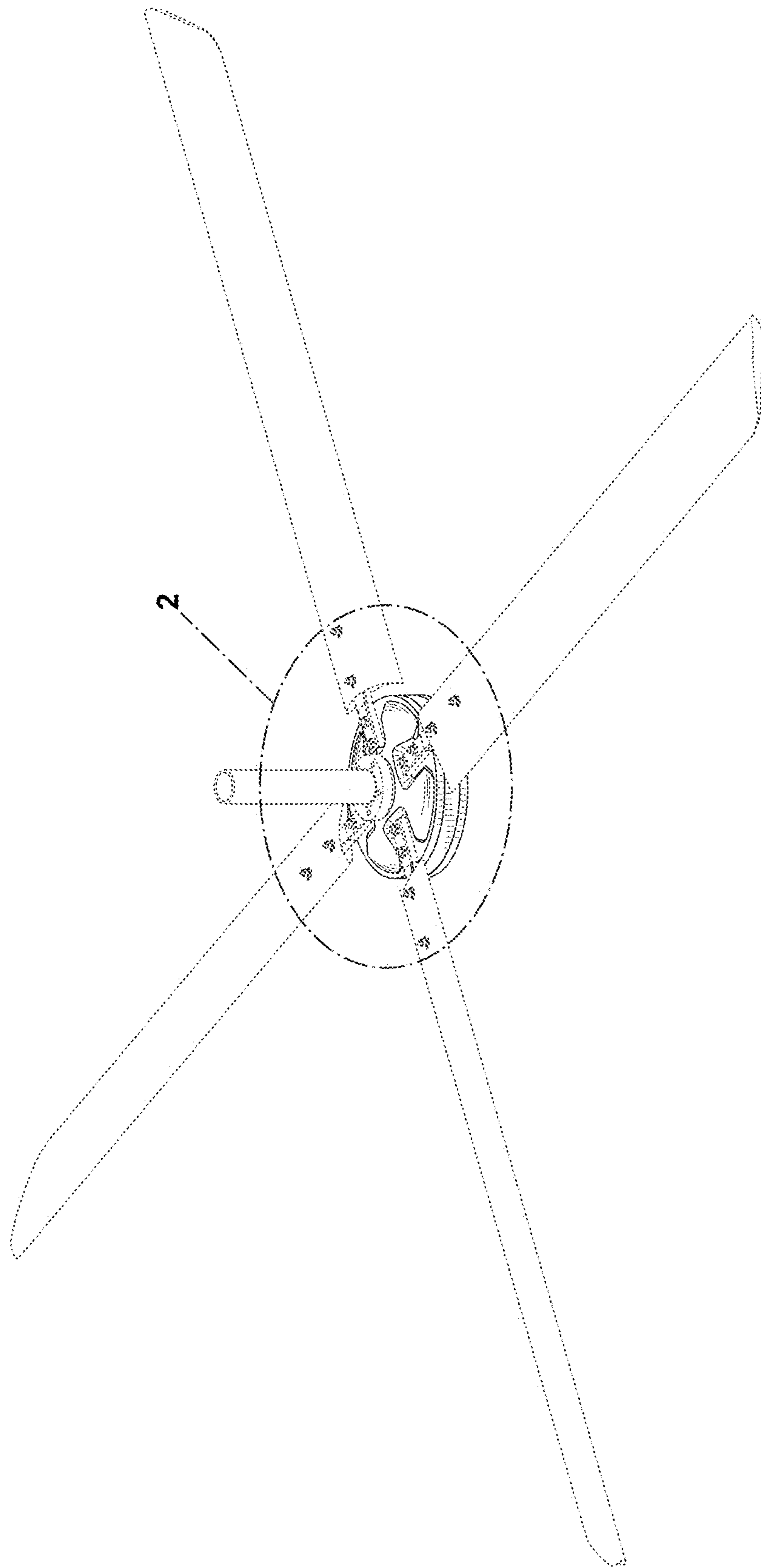


FIG. 1

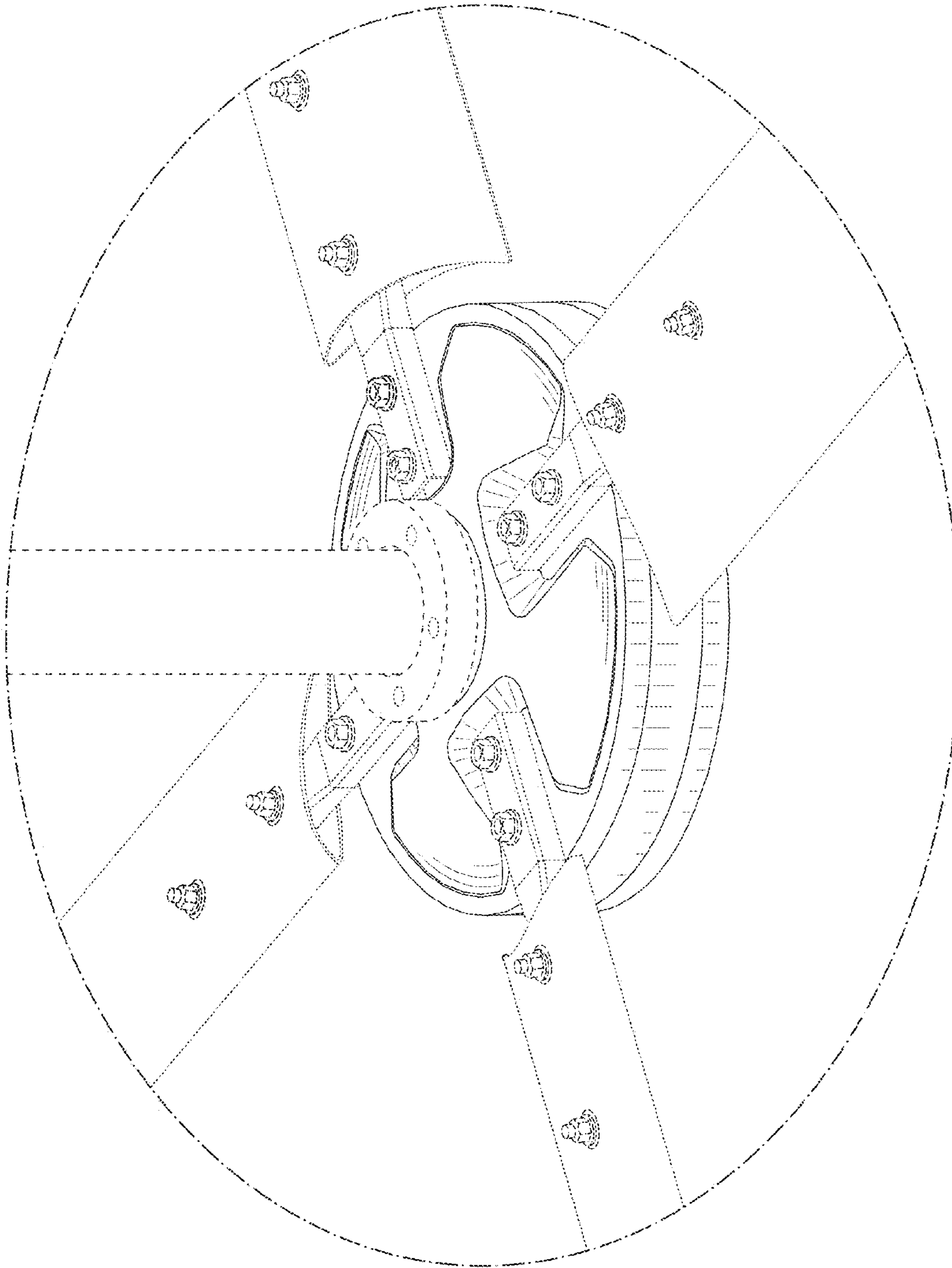


FIG. 2

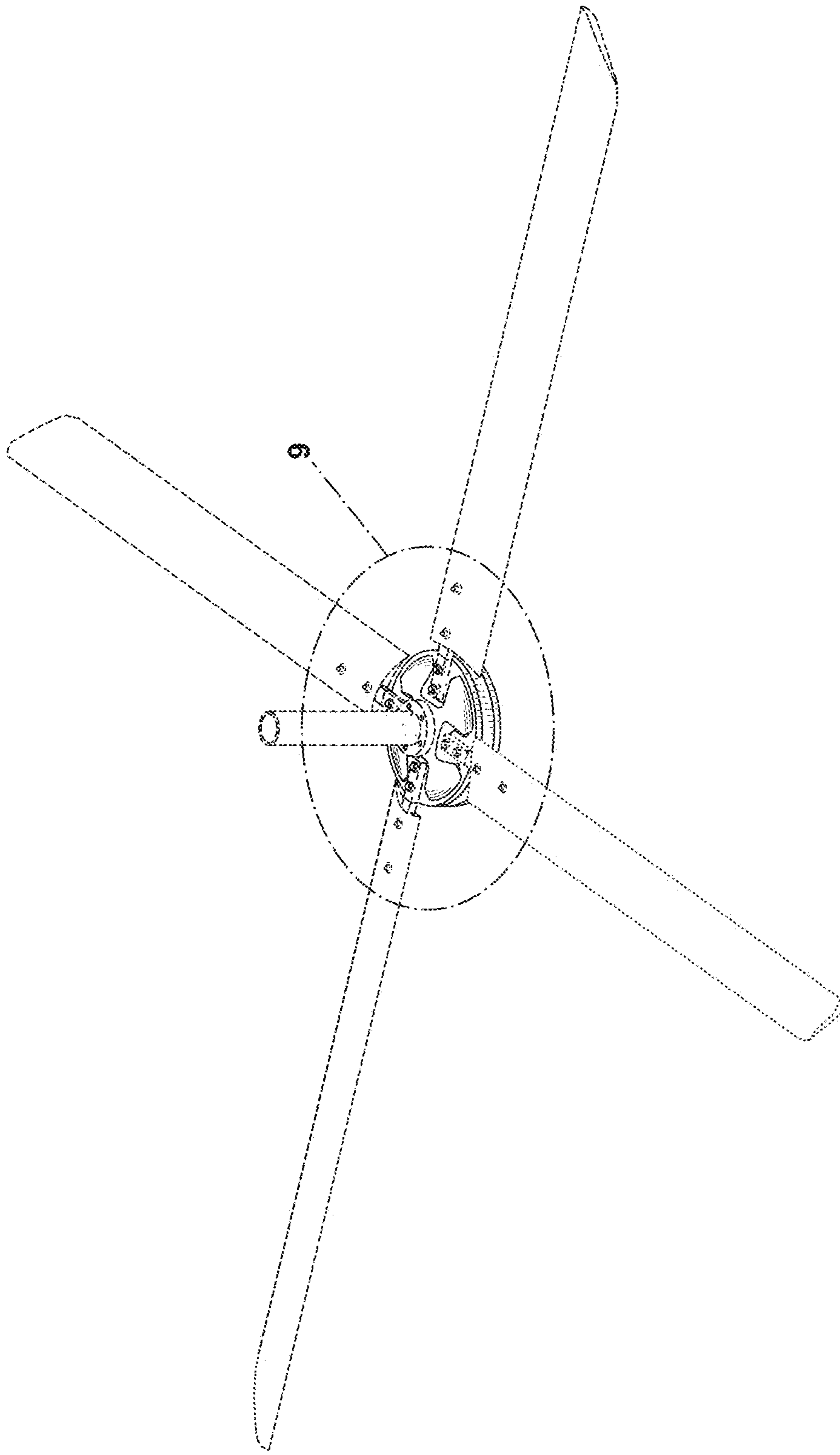


FIG. 3

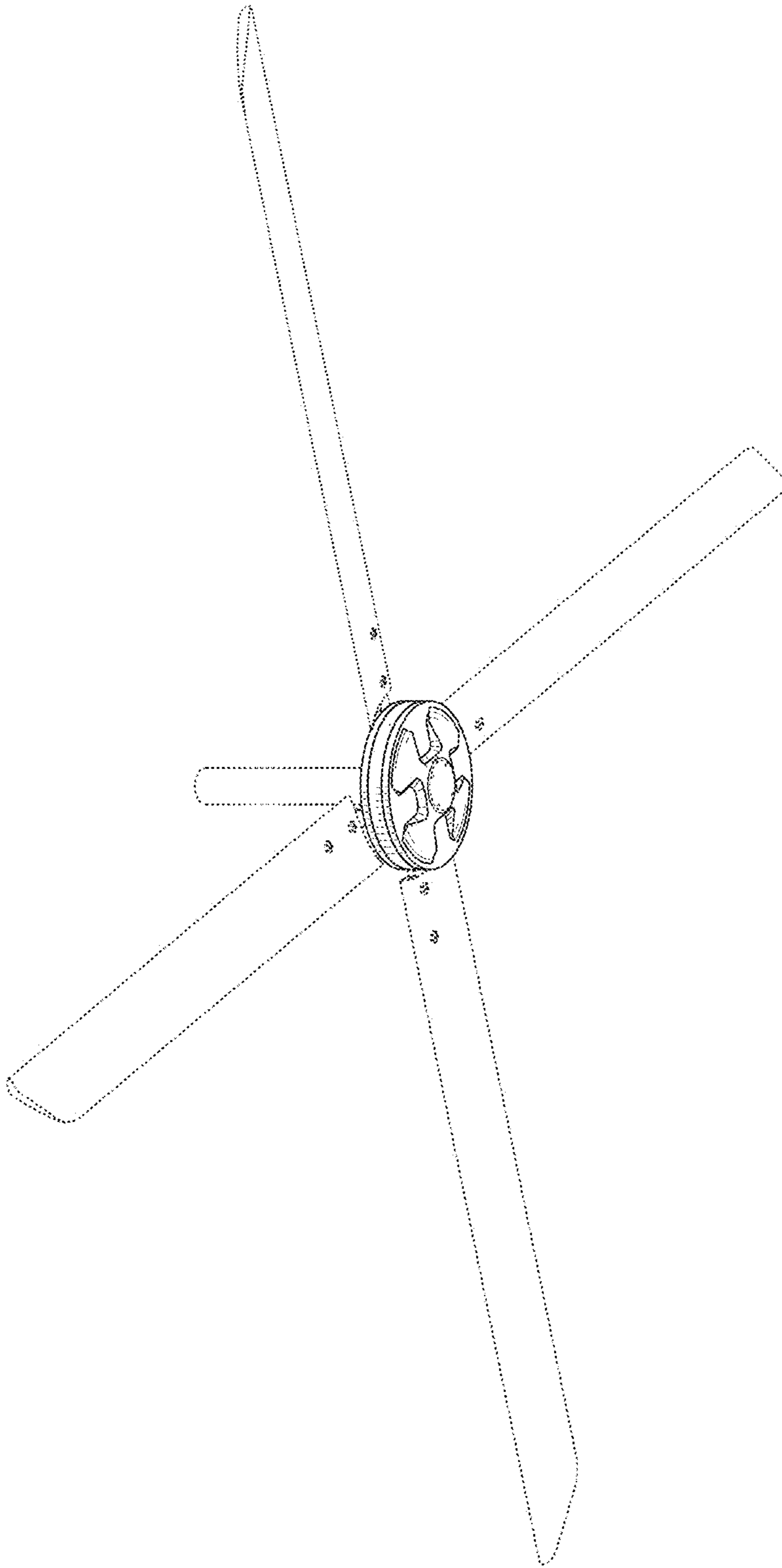


FIG. 4

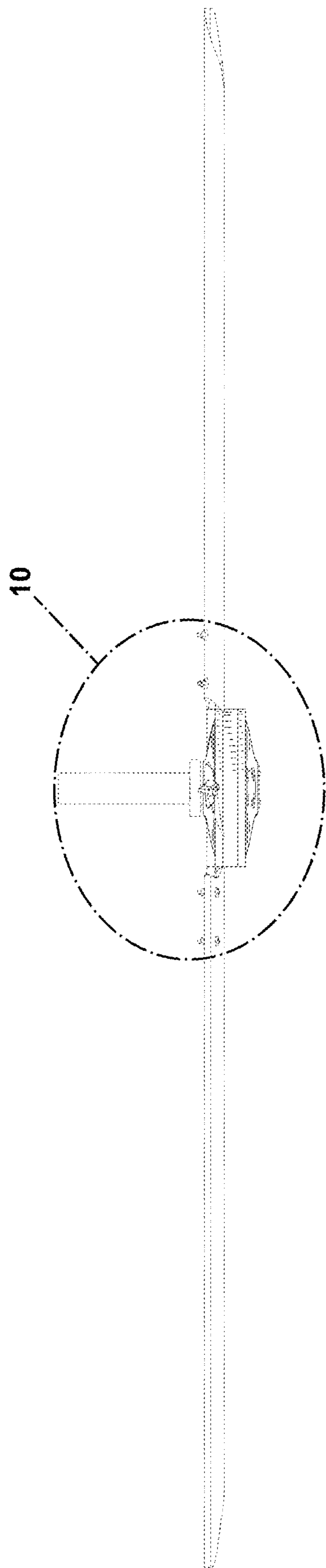


FIG. 5

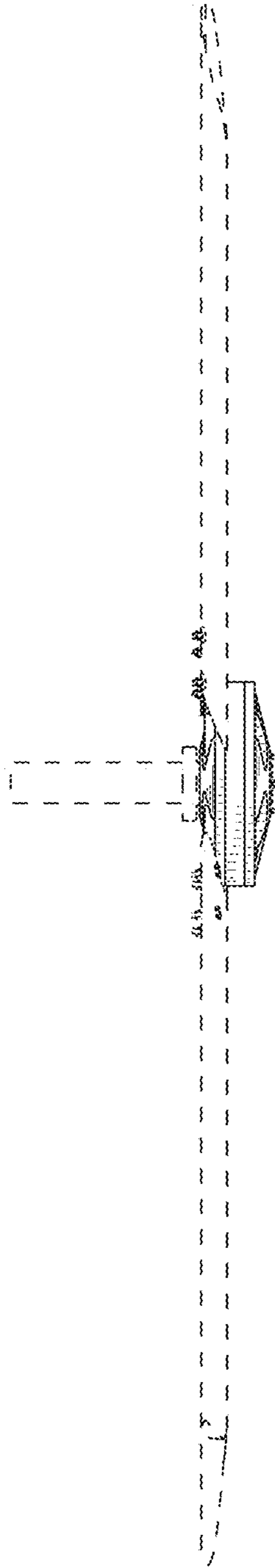


FIG. 6



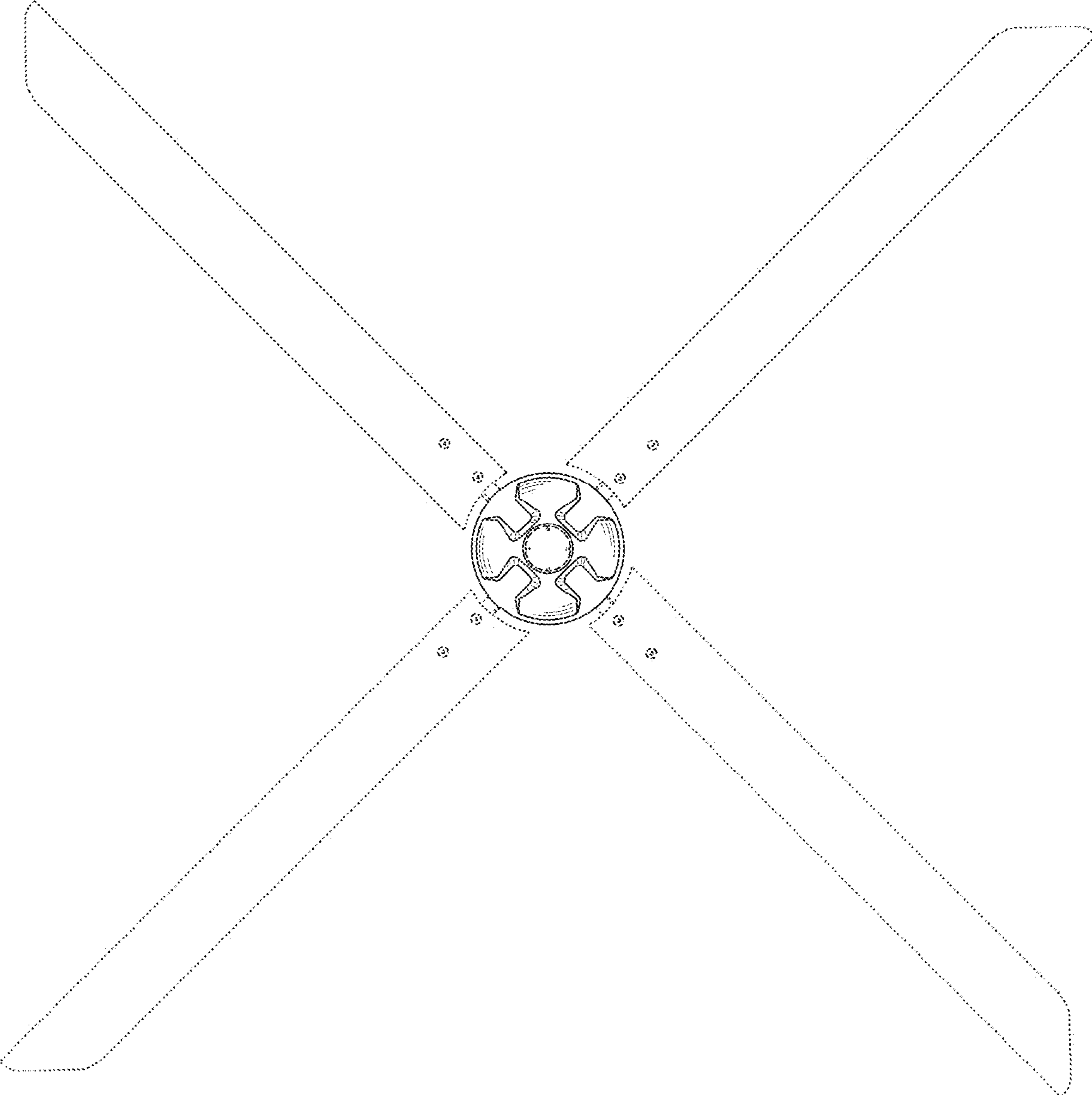


FIG. 7

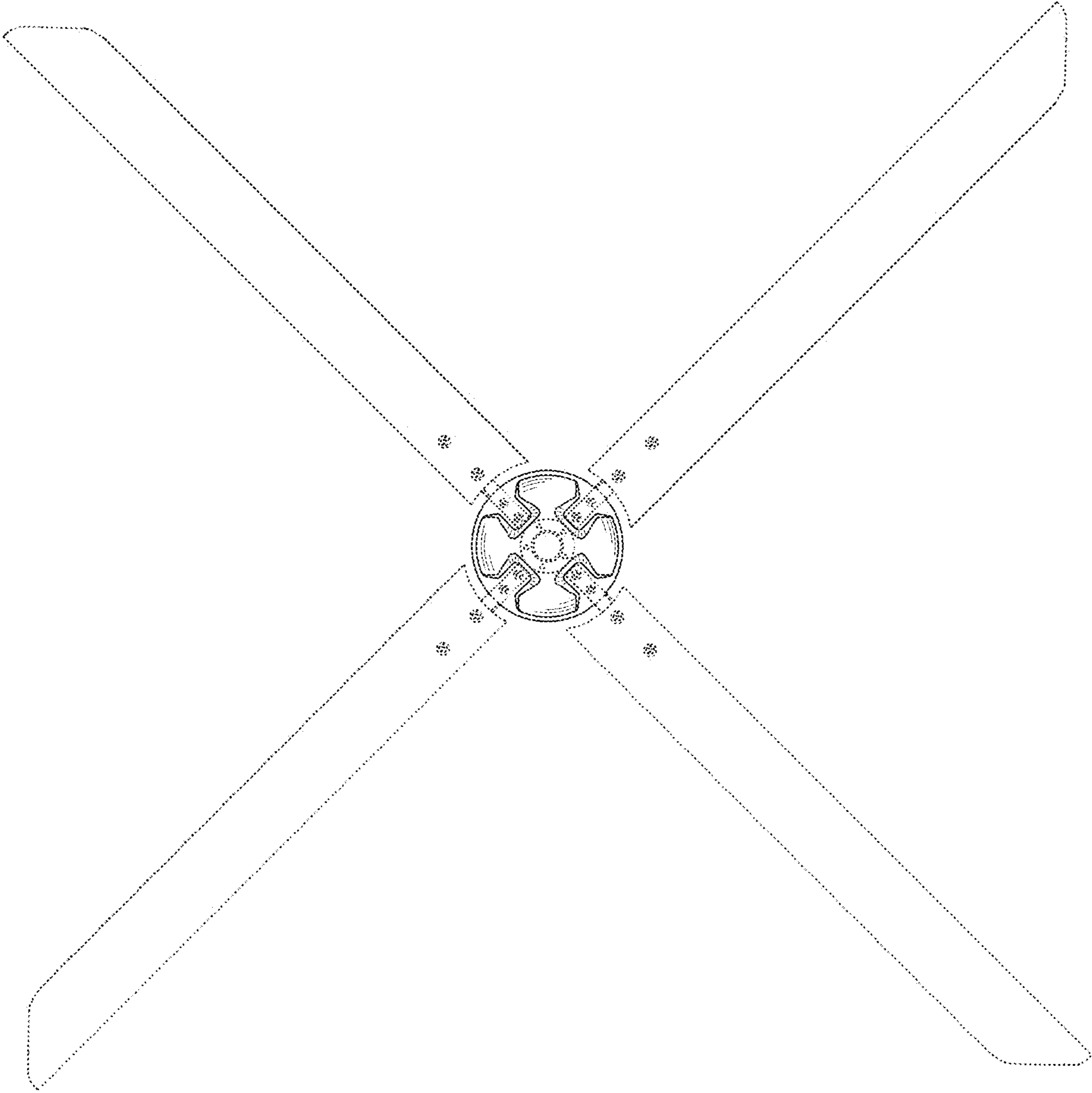


FIG. 8

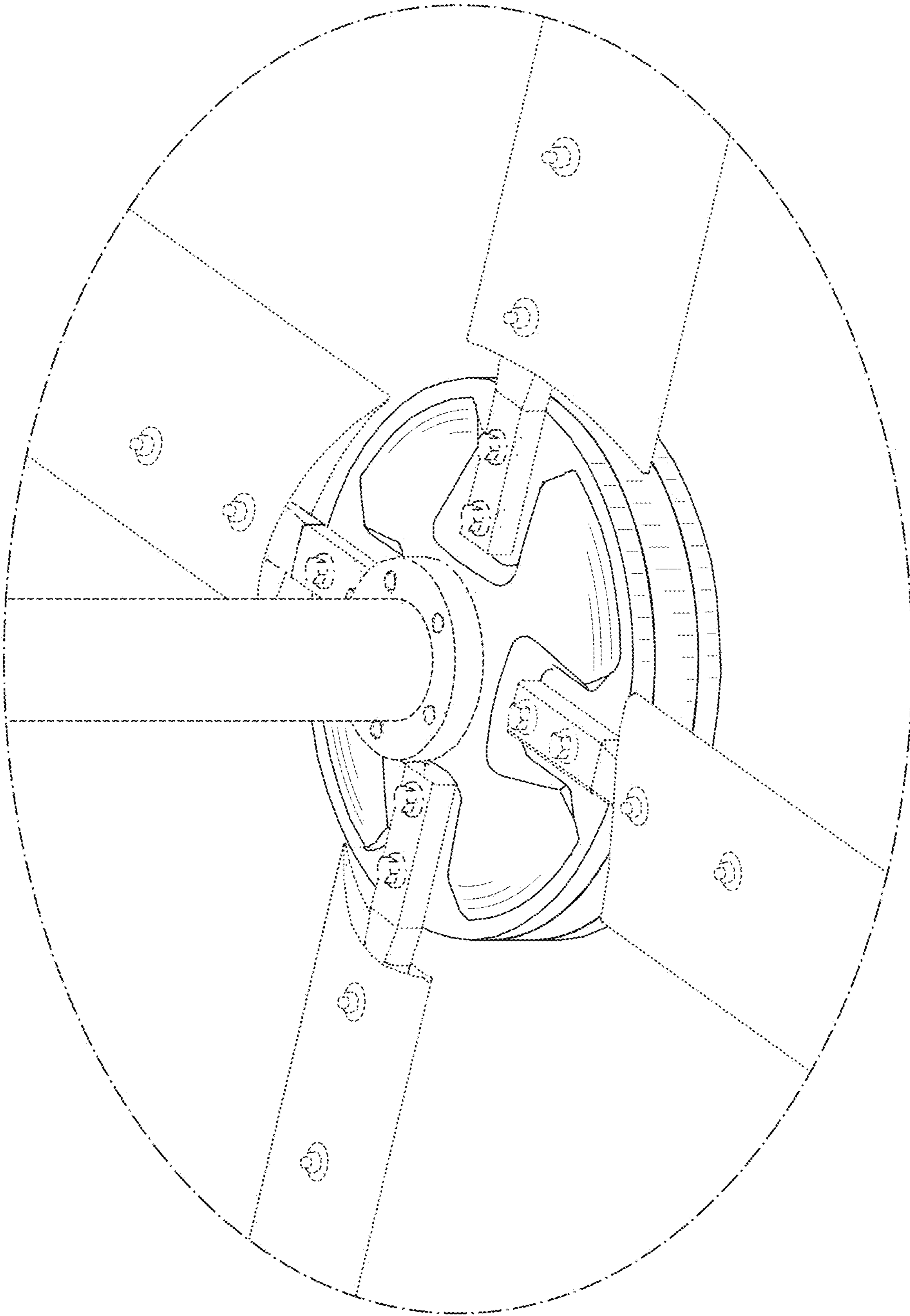


FIG. 9

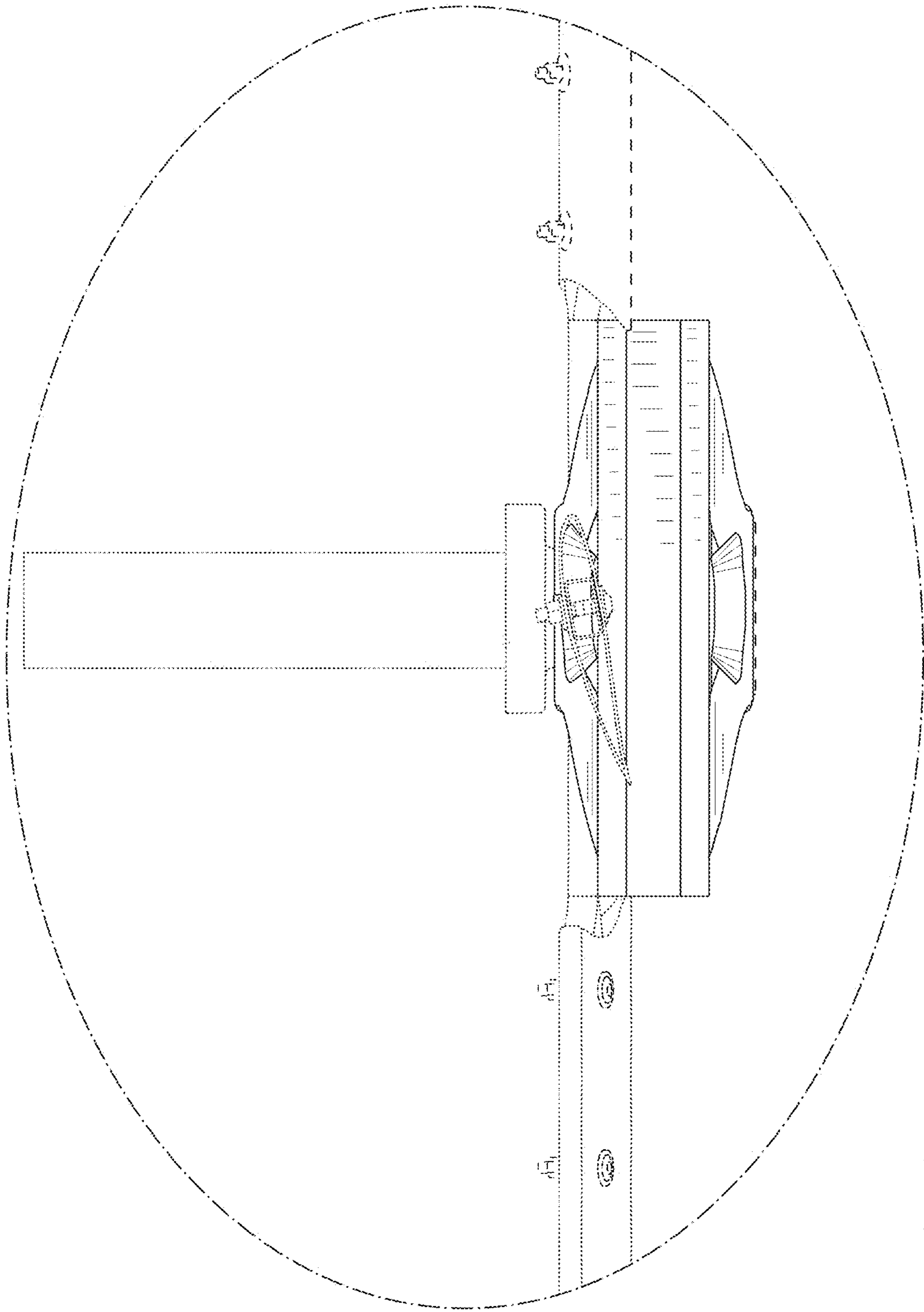


FIG. 10