



US00D973192S

(12) **United States Design Patent** (10) **Patent No.:** **US D973,192 S**
Wu (45) **Date of Patent:** **** Dec. 20, 2022**

(54) **OZONE GENERATOR**

(71) Applicant: **Weibin Wu**, Guangdong (CN)

(72) Inventor: **Weibin Wu**, Guangdong (CN)

(**) Term: **15 Years**

(21) Appl. No.: **29/750,988**

(22) Filed: **Sep. 17, 2020**

(51) **LOC (13) Cl.** **23-04**

(52) **U.S. Cl.**
USPC **D23/366**

(58) **Field of Classification Search**

USPC D7/509, 510; D11/143, 152; D14/195,
D14/204, 221, 228; D23/207, 208, 209,
D23/213, 223, 333, 335, 336, 351, 352,
D23/353, 355, 356, 359, 360, 362,
D23/364-366; D24/108, 110, 112, 129;
D26/26, 37, 40, 46, 49; D15/7
CPC F24F 6/00; F24F 6/06; F24F 1/00; F24F
1/02; F24F 1/022; A47G 7/06; A61M
11/02; A61M 11/041; A61L 9/00; A61L
9/03; A61L 9/12; A61L 9/122; A61L
2209/11; A61L 2209/14; A61L 2209/133;
Y10S 261/17; Y10S 261/88; Y10S
261/89; B01D 46/10; B01D 46/0005;
B01D 46/2411

See application file for complete search history.

(56) **References Cited**

U.S. PATENT DOCUMENTS

D321,930 S * 11/1991 Dinand D23/360
D398,367 S * 9/1998 Andrepont D23/209

D581,076 S * 11/2008 Brown D26/40
D723,515 S * 3/2015 Ang D14/204
D800,881 S * 10/2017 Wu D23/366
D854,674 S * 7/2019 Wu D23/365
D884,137 S * 5/2020 Mushtaq D23/366
D886,769 S * 6/2020 Poulheim D14/204
2020/0330721 A1 * 10/2020 Chang A61L 9/122

* cited by examiner

Primary Examiner — Gino Colan

Assistant Examiner — David OBrien

(74) *Attorney, Agent, or Firm* — ScienBiziP, P.C.

(57) **CLAIM**

The ornamental design for an ozone generator, as shown and described.

DESCRIPTION

FIG. 1 is a perspective view of an ozone generator, showing my design.

FIG. 2 is a front elevation view thereof.

FIG. 3 is a rear elevation view thereof.

FIG. 4 is a right side elevation thereof.

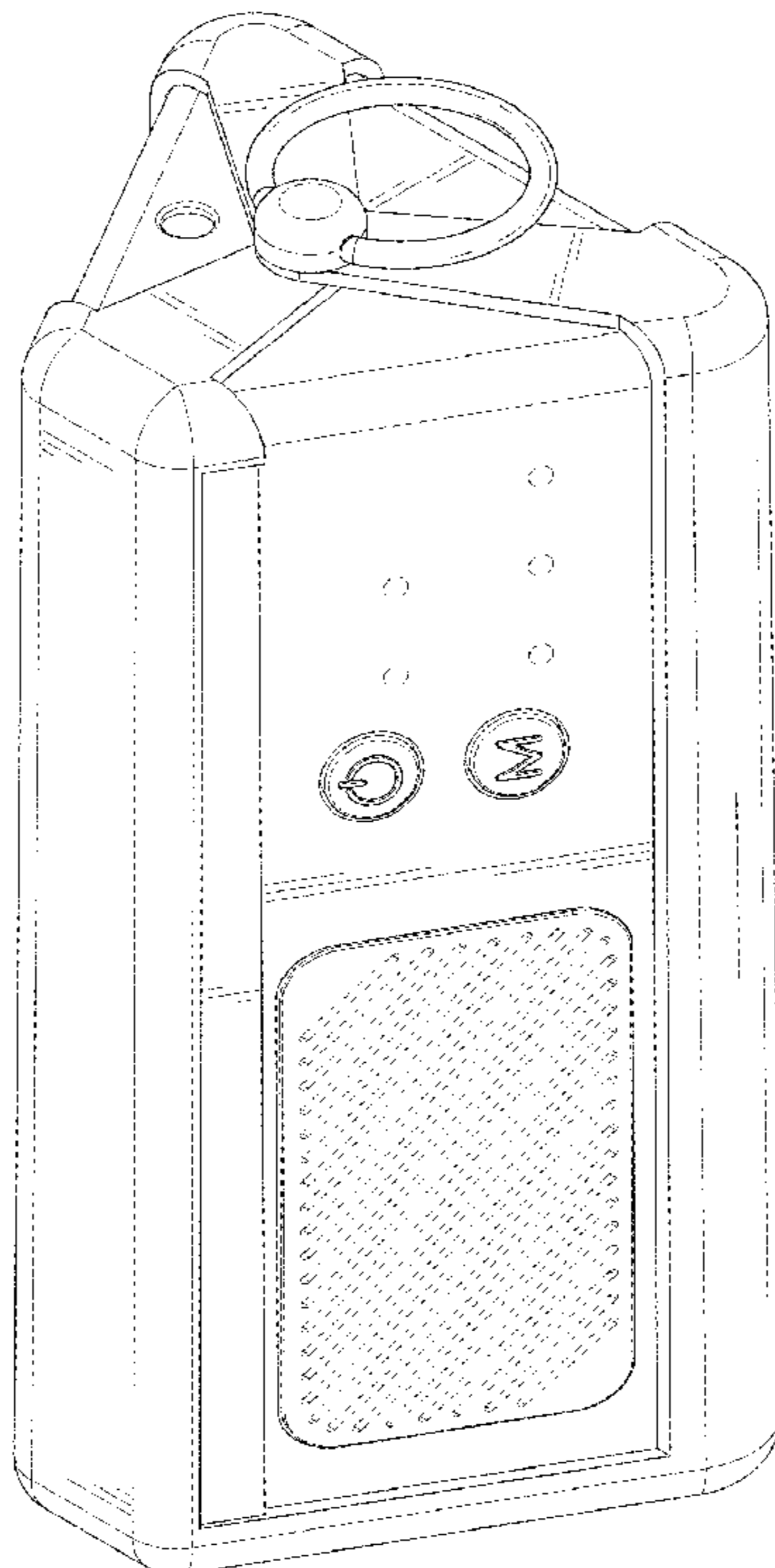
FIG. 5 is a left side elevation thereof.

FIG. 6 is a top plan view thereof; and,

FIG. 7 is a bottom plan view thereof.

The broken lines shown in the figures are for the purpose of illustrating portions of the ozone generator and form no part of the claimed design.

1 Claim, 7 Drawing Sheets



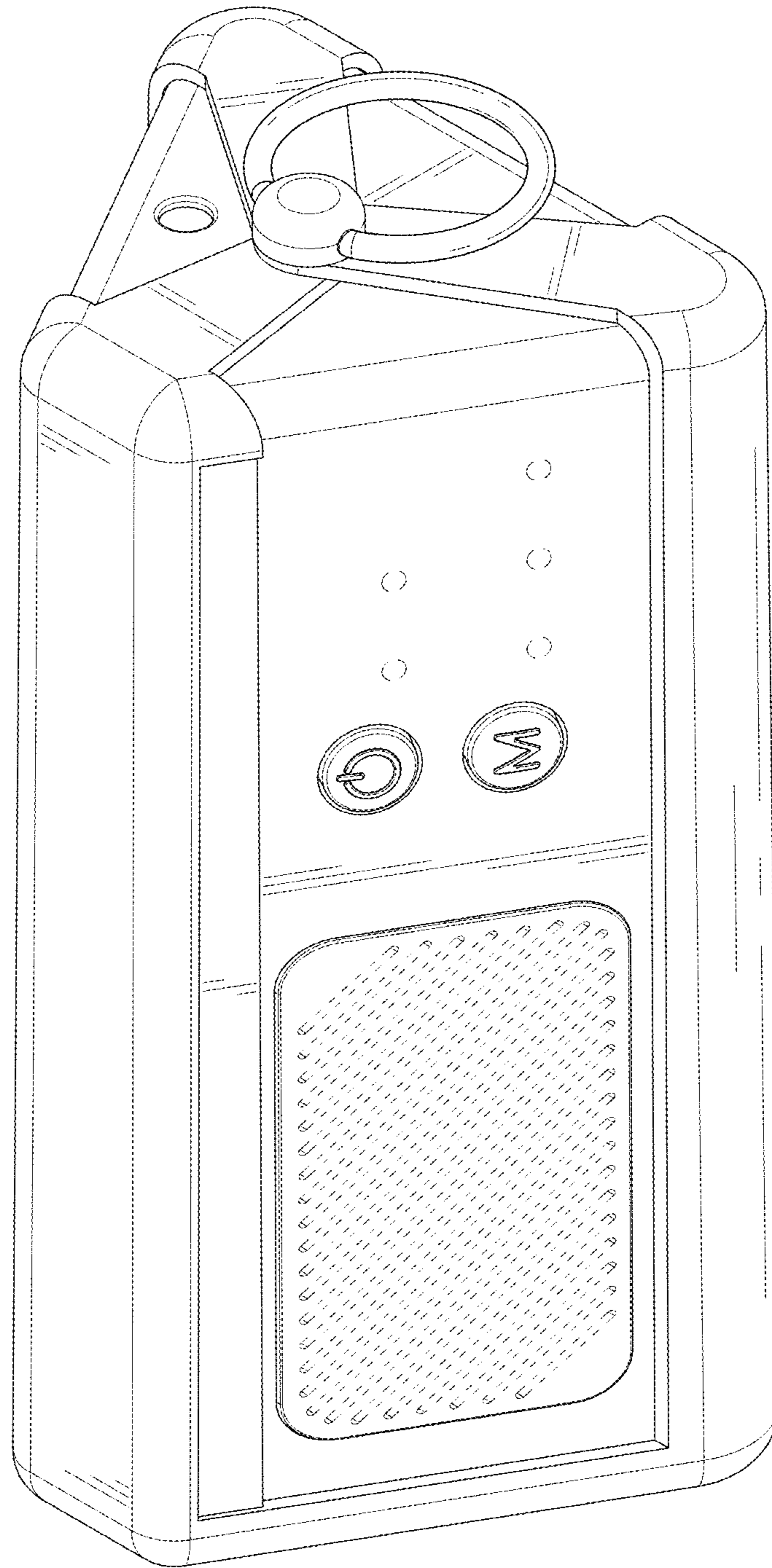


FIG.1

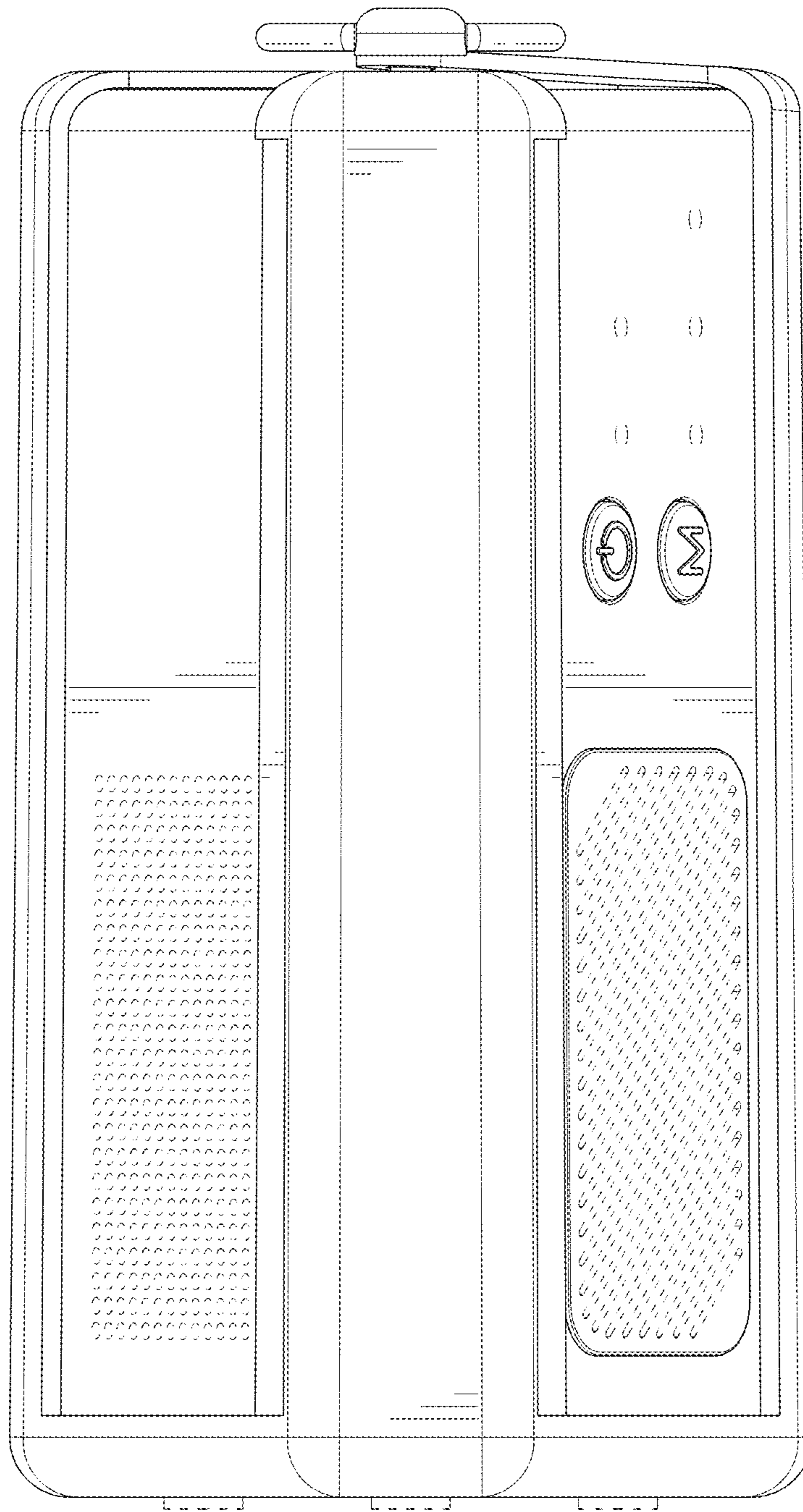


FIG.2

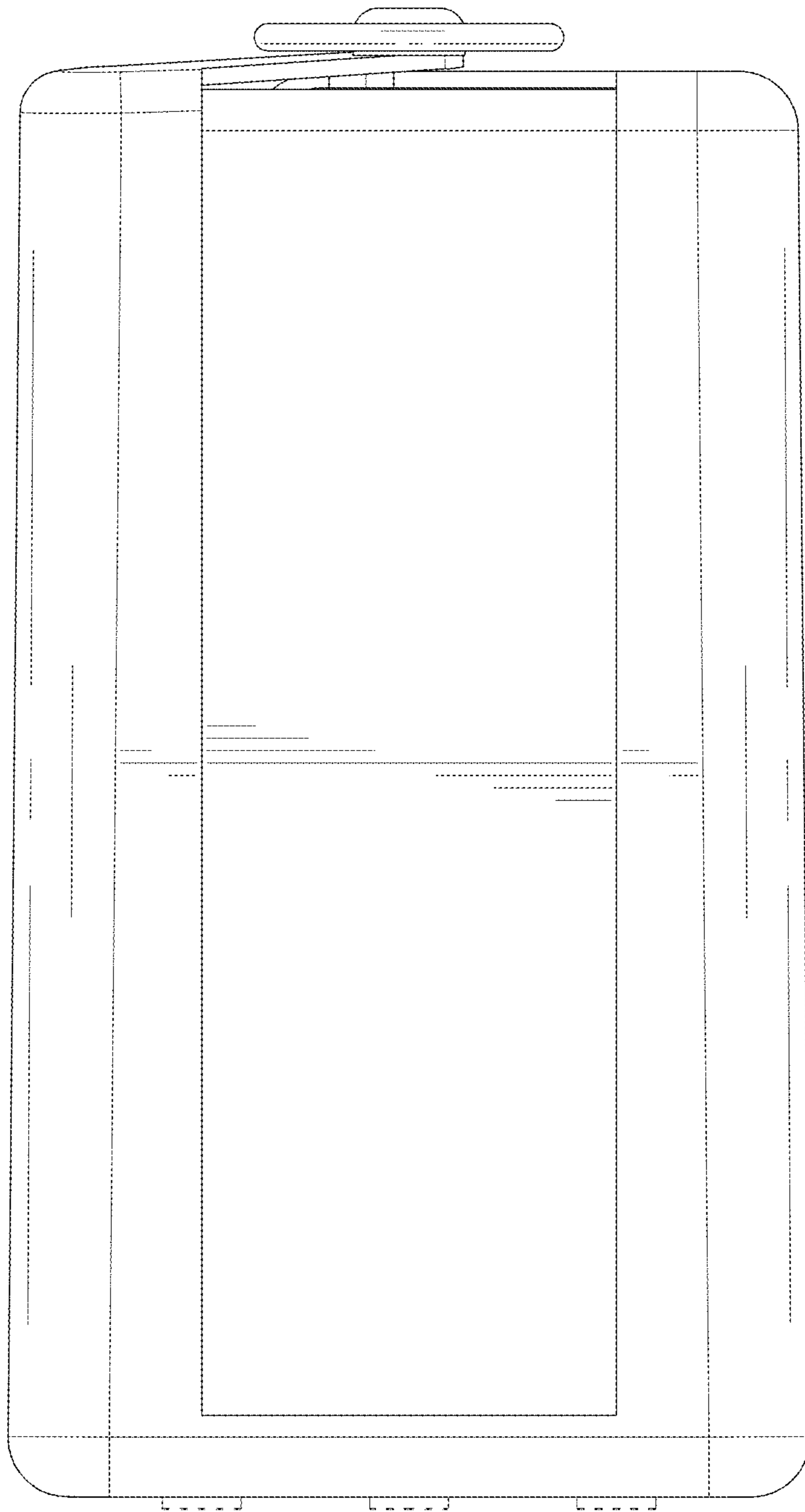


FIG.3

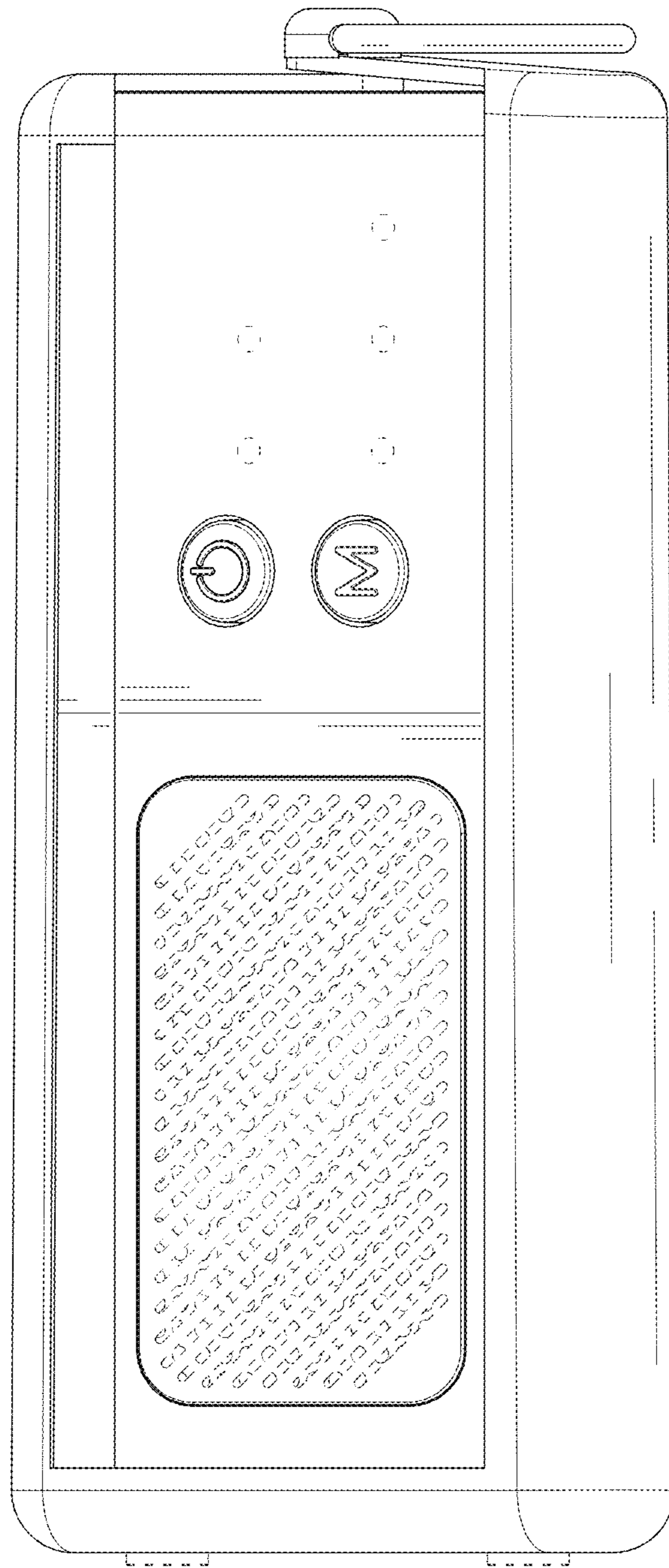


FIG. 4

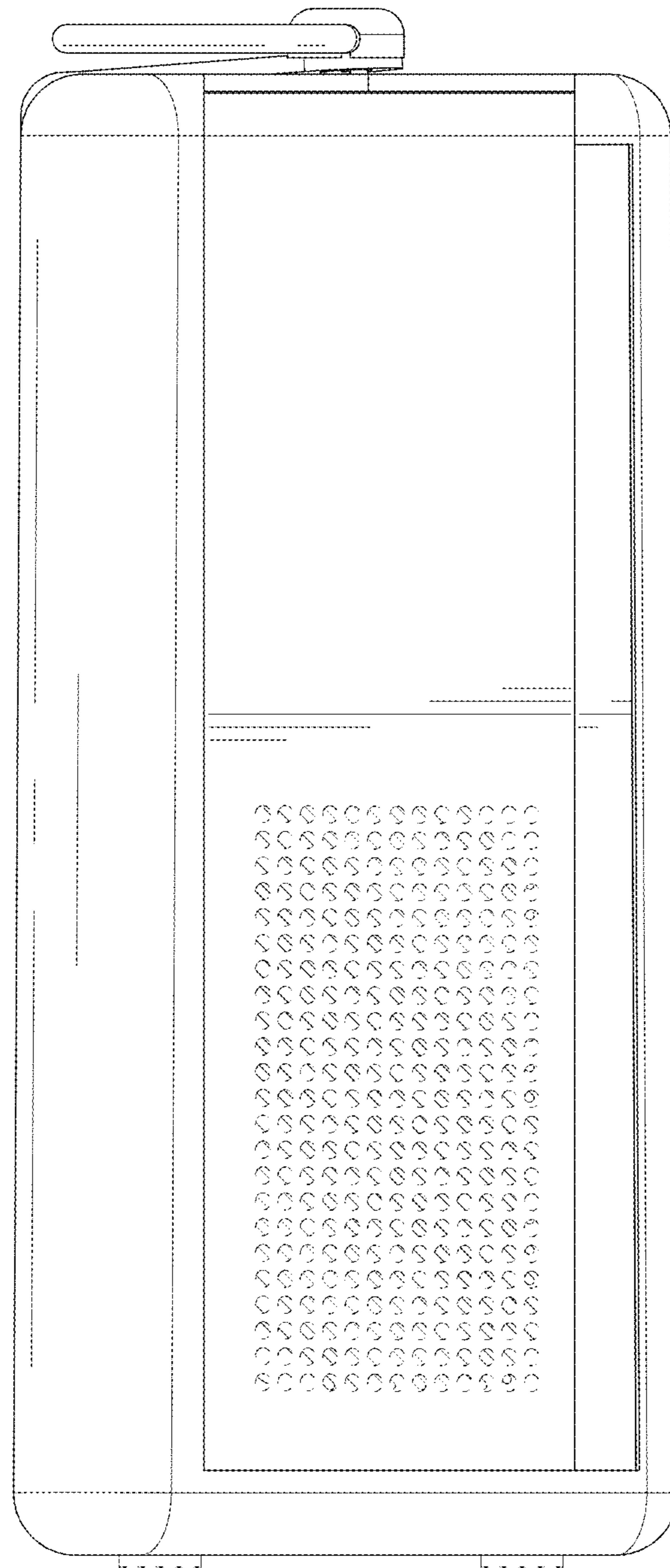


FIG.5

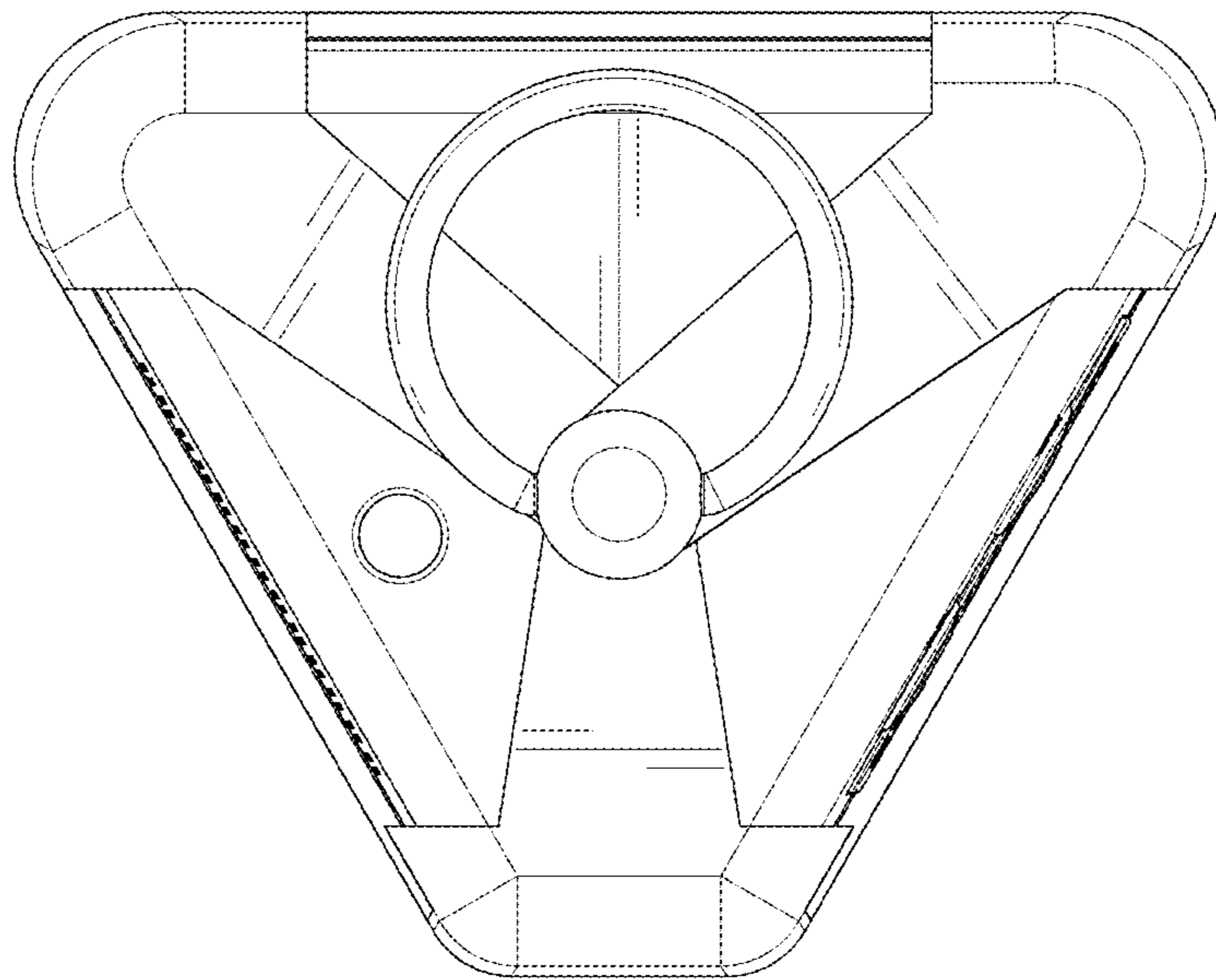


FIG.6

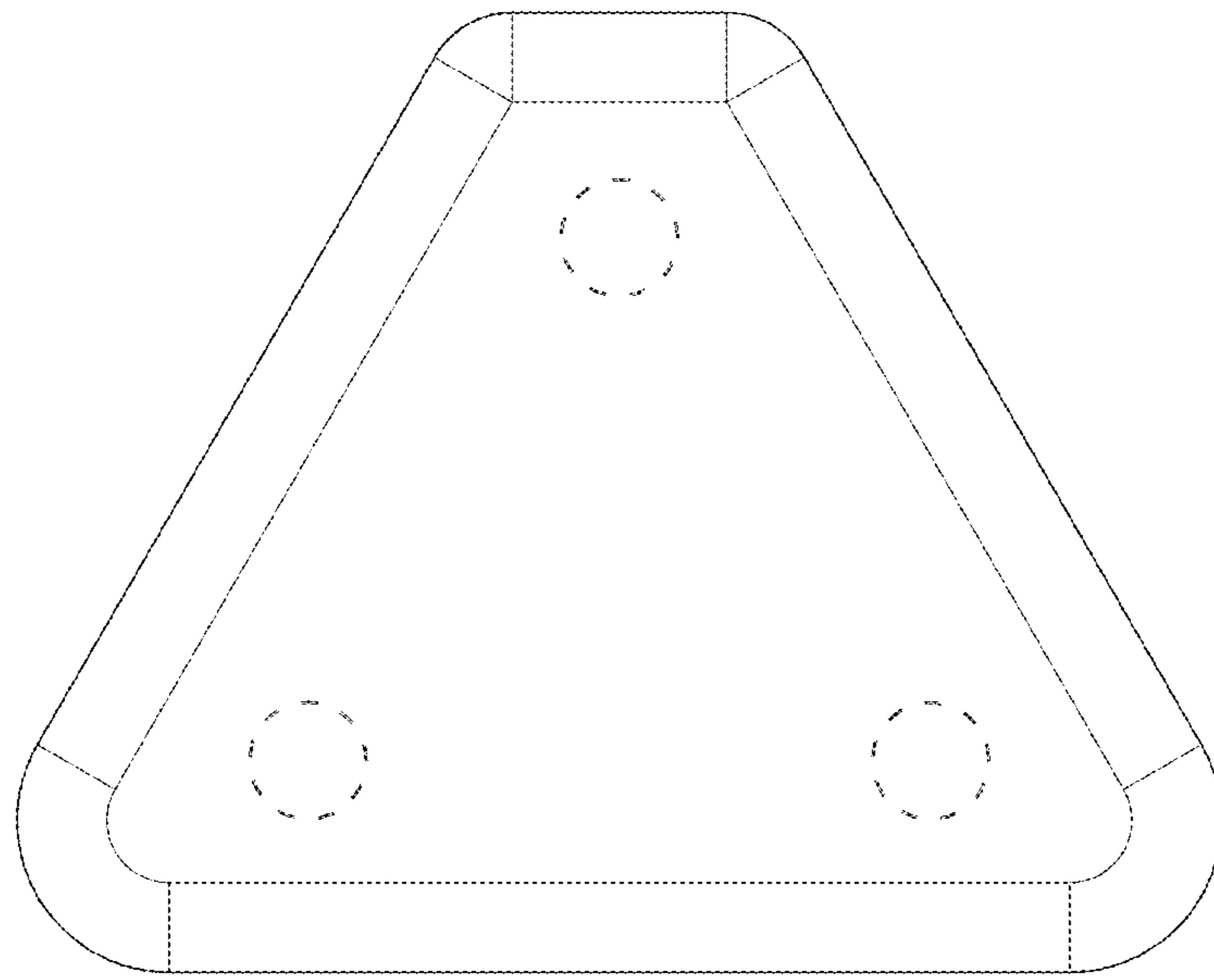


FIG.7