

US00D973190S

(12) **United States Design Patent**  
**Yang et al.**

(10) **Patent No.:** **US D973,190 S**  
(45) **Date of Patent:** **\*\* Dec. 20, 2022**

(54) **DEHUMIDIFIER**

(71) Applicant: **GD MIDEA AIR-CONDITIONING EQUIPMENT CO., LTD.**, Foshan (CN)

(72) Inventors: **Yongyi Yang**, Foshan (CN); **Jialong Luo**, Foshan (CN)

(73) Assignee: **GD MIDEA AIR-CONDITIONING EQUIPMENT CO., LTD.**, Foshan (CN)

(\*\*) Term: **15 Years**

(21) Appl. No.: **29/826,349**

(22) Filed: **Feb. 11, 2022**

**Related U.S. Application Data**

(63) Continuation of application No. 29/741,097, filed on Jul. 9, 2020, now Pat. No. Des. 949,307.

(30) **Foreign Application Priority Data**

Jan. 19, 2020 (CN) ..... 202030037746.6

(51) **LOC (13) Cl.** ..... **23-04**

(52) **U.S. Cl.**  
USPC ..... **D23/359**

(58) **Field of Classification Search**  
USPC ..... D23/332, 336, 351, 355-356, 359, D23/364-366, 378, 499

(Continued)

(56) **References Cited**

**U.S. PATENT DOCUMENTS**

3,277,636 A \* 10/1966 Hemmerlein ..... F24F 3/1411 96/152

D865,148 S \* 10/2019 Yoon ..... D23/364  
(Continued)

**FOREIGN PATENT DOCUMENTS**

CN 305949933 \* 7/2020  
CN 306211382 \* 12/2020

**OTHER PUBLICATIONS**

Blue Pure 211+ Air Purifier, first available Jan. 5, 2017[online], [site visited Aug. 19, 2022]. Available from internet, URL:<https://www.amazon.ca/dp/B073WJL99W> (Year: 2017).\*

(Continued)

*Primary Examiner* — David G Muller

*Assistant Examiner* — Jamaal Rasheed

(74) *Attorney, Agent, or Firm* — Anova Law Group PLLC

(57) **CLAIM**

The ornamental design for a dehumidifier, as shown and described.

**DESCRIPTION**

FIG. 1 is a front elevational view of a dehumidifier showing our new design;

FIG. 2 is a rear elevational view of the dehumidifier shown in FIG. 1;

FIG. 3 is a left-side elevational view of the dehumidifier shown in FIG. 1;

FIG. 4 is a right-side elevational view of the dehumidifier shown in FIG. 1;

FIG. 5 is a top plan view of the dehumidifier shown in FIG. 1;

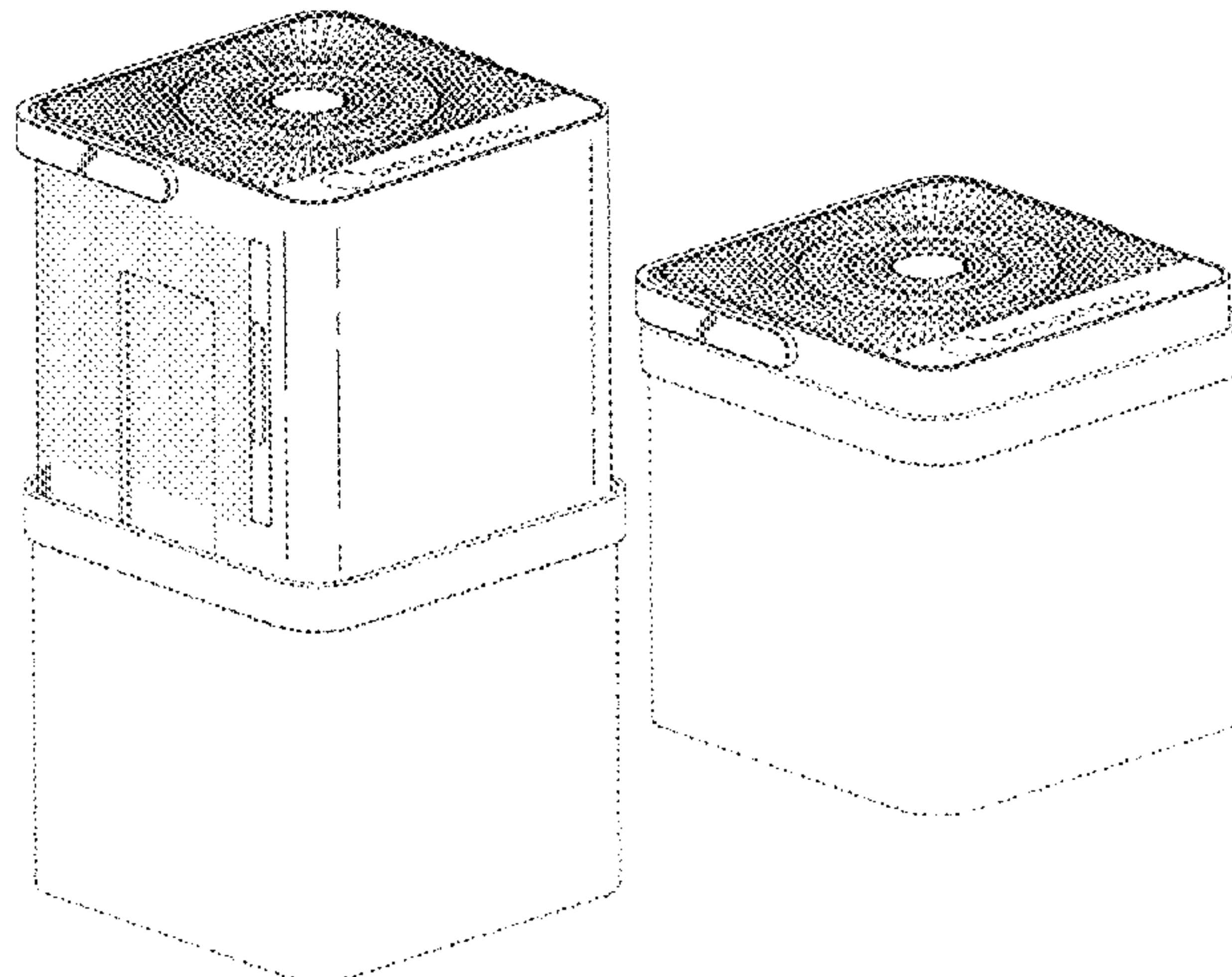
FIG. 6 is a bottom plan view of the dehumidifier shown in FIG. 1;

FIG. 7 is a left-front perspective view of the dehumidifier shown in FIG. 1;

FIG. 8 is a right-rear perspective view of the dehumidifier shown in FIG. 1; and,

FIG. 9 is a right-rear perspective view of the dehumidifier shown in FIG. 1 in a retracted configuration.

(Continued)



The broken lines shown in the drawings are for the purpose of illustrating portions of the dehumidifier that form no part of the claimed design.

1 Claim, 9 Drawing Sheets

(58) Field of Classification Search

CPC ..... F24F 1/029; F24F 1/035; F24F 1/0287; F24F 6/06; F24F 6/14; F24F 13/06; F24F 13/20; F24F 13/222; F24F 3/16; F24F 3/1405

See application file for complete search history.

(56) References Cited

U.S. PATENT DOCUMENTS

D878,531	S	*	3/2020	Shin	.....	D23/364
D888,918	S	*	6/2020	Seo	.....	D23/356
D912,796	S	*	3/2021	Huang	.....	D23/364
D917,683	S	*	4/2021	Xie	.....	D23/359
D918,366	S	*	5/2021	Li	.....	D23/359

D924,385	S	*	7/2021	Liu	.....	F24F 13/20 D23/356
D925,024	S	*	7/2021	Huang	.....	D23/356
D933,797	S	*	10/2021	Liu	.....	D23/364
D942,602	S	*	2/2022	Yu	.....	D23/356
D948,689	S	*	4/2022	Shen	.....	F24F 11/30 D23/356
2013/0149200	A1	*	6/2013	Hong	.....	B01D 53/30 96/27
2015/0231543	A1	*	8/2015	Wennerstrom	.....	F24F 7/06 415/203
2018/0221805	A1	*	8/2018	Bae	.....	B01D 46/58
2021/0129070	A1	*	5/2021	Han	.....	B01D 47/16
2021/0333010	A1	*	10/2021	Yang	.....	F24F 3/14
2022/0008601	A1	*	1/2022	Wang	.....	B01D 46/2411

OTHER PUBLICATIONS

Blue Pure 121 Air Purifier, first available Apr. 7, 2018[online], [site visited Aug. 19, 2022]. Available from internet, URL:<<https://www.amazon.ca/Purifier-Washable-Pre-Filters-Particle-Allergens/dp/B073WJPK5H?th=1>> (Year: 2018).\*

\* cited by examiner

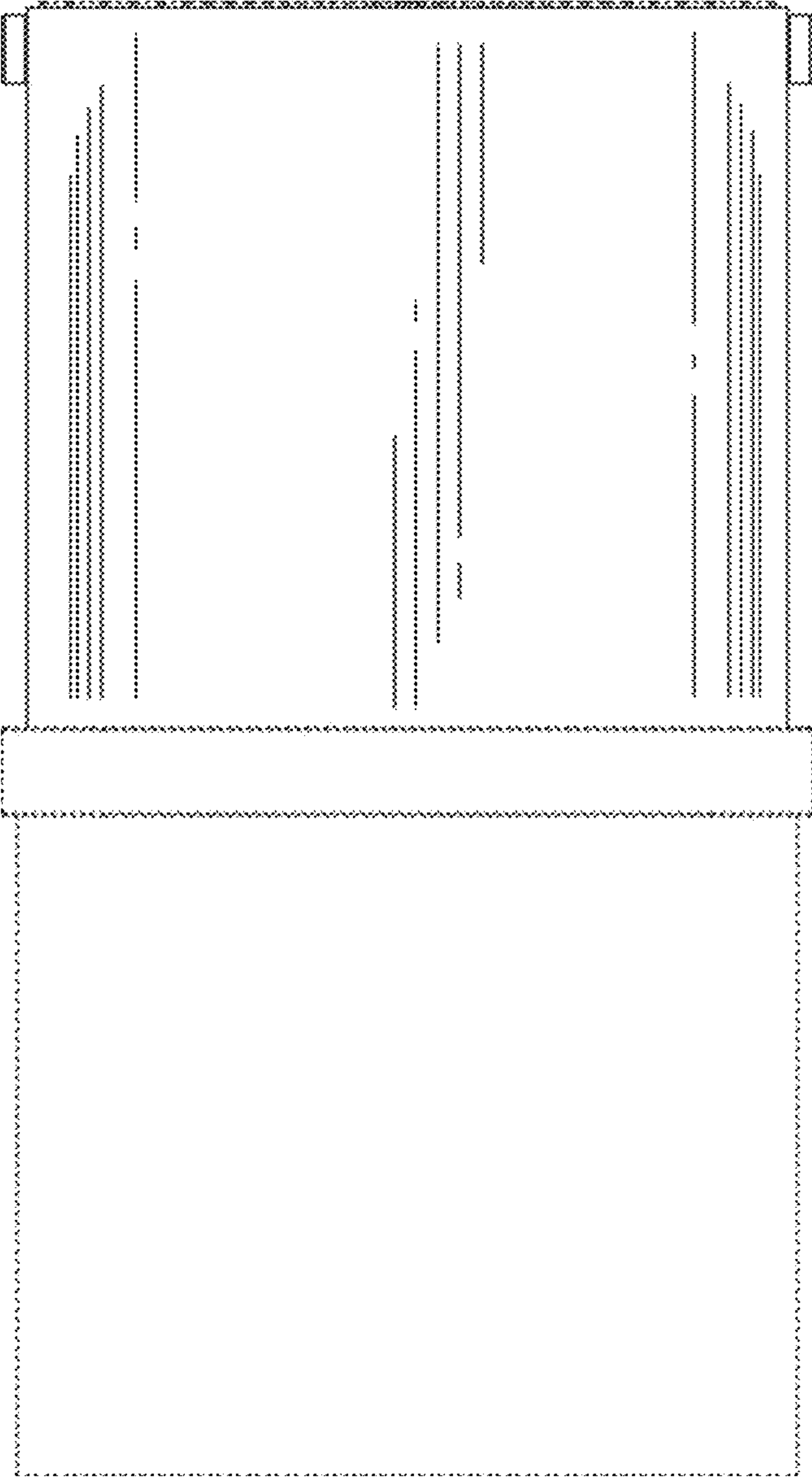


FIG. 1

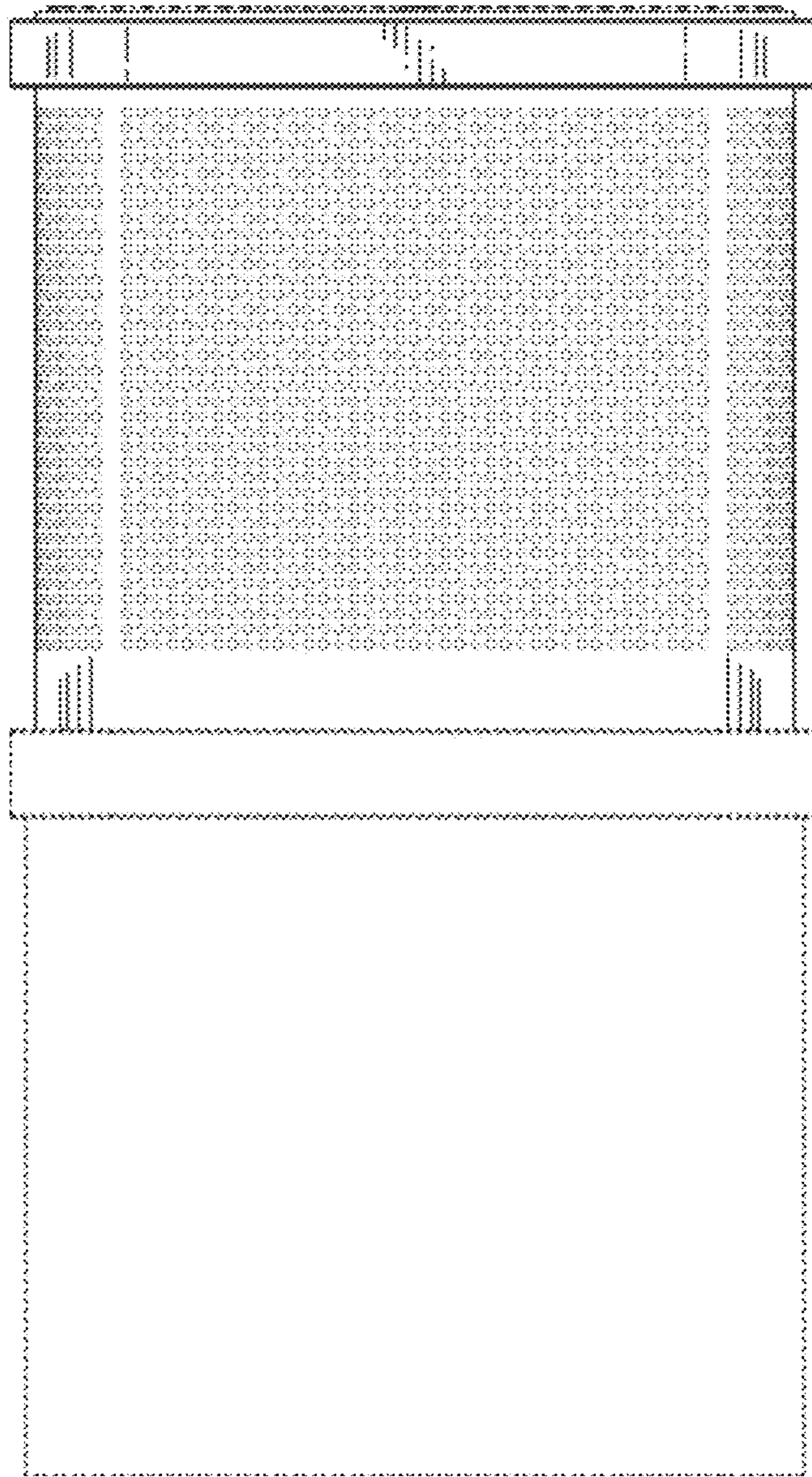


FIG. 2



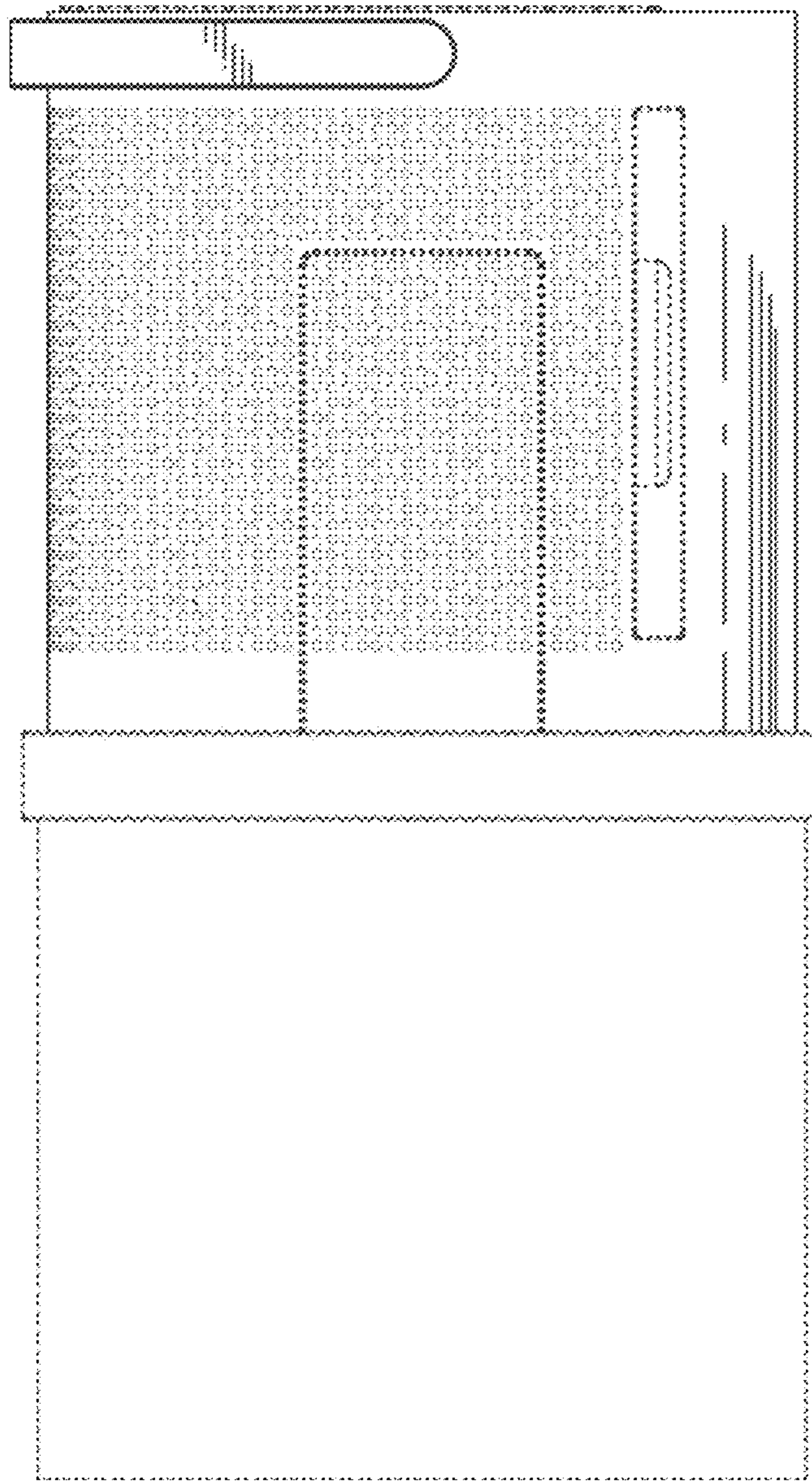


FIG. 3

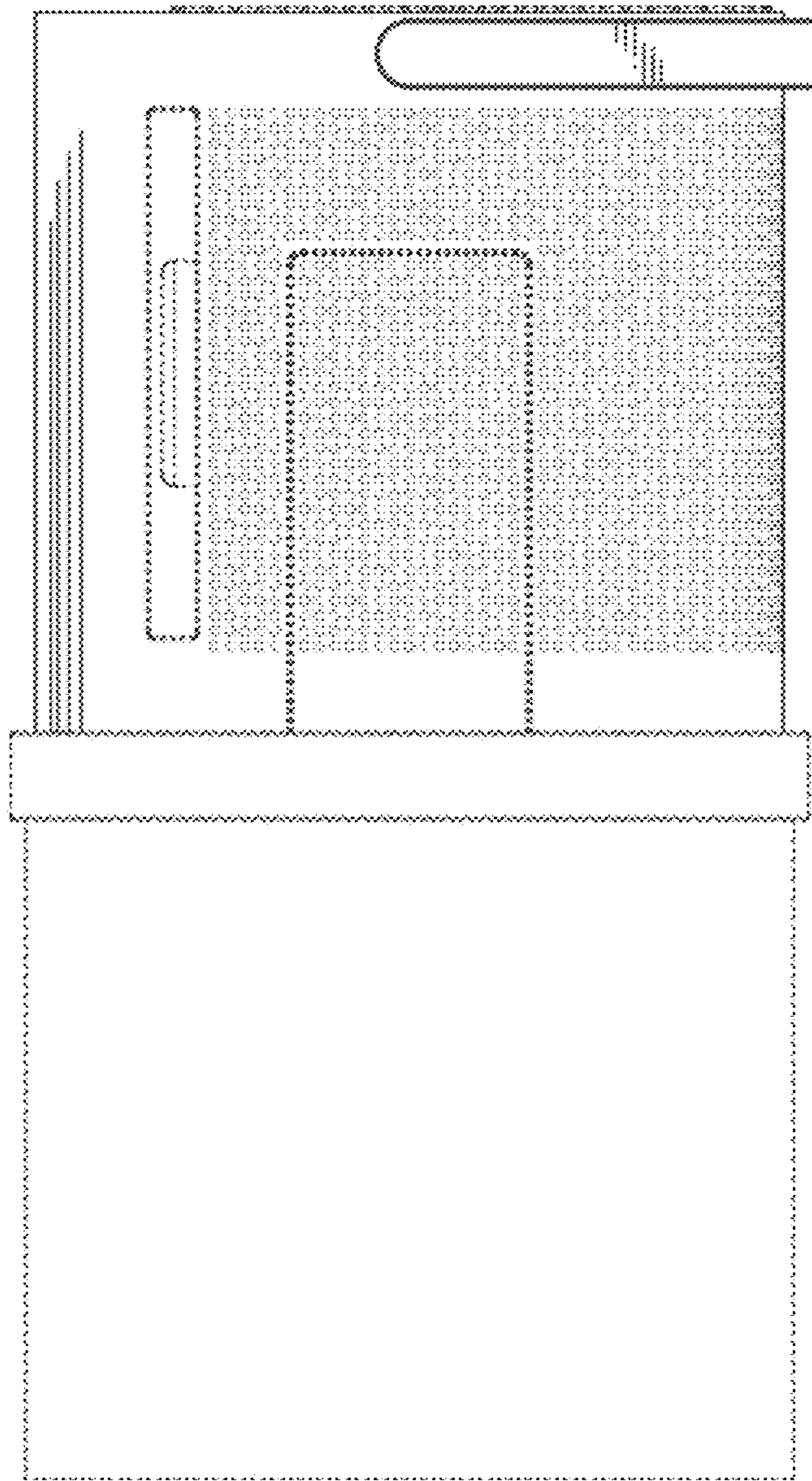


FIG. 4

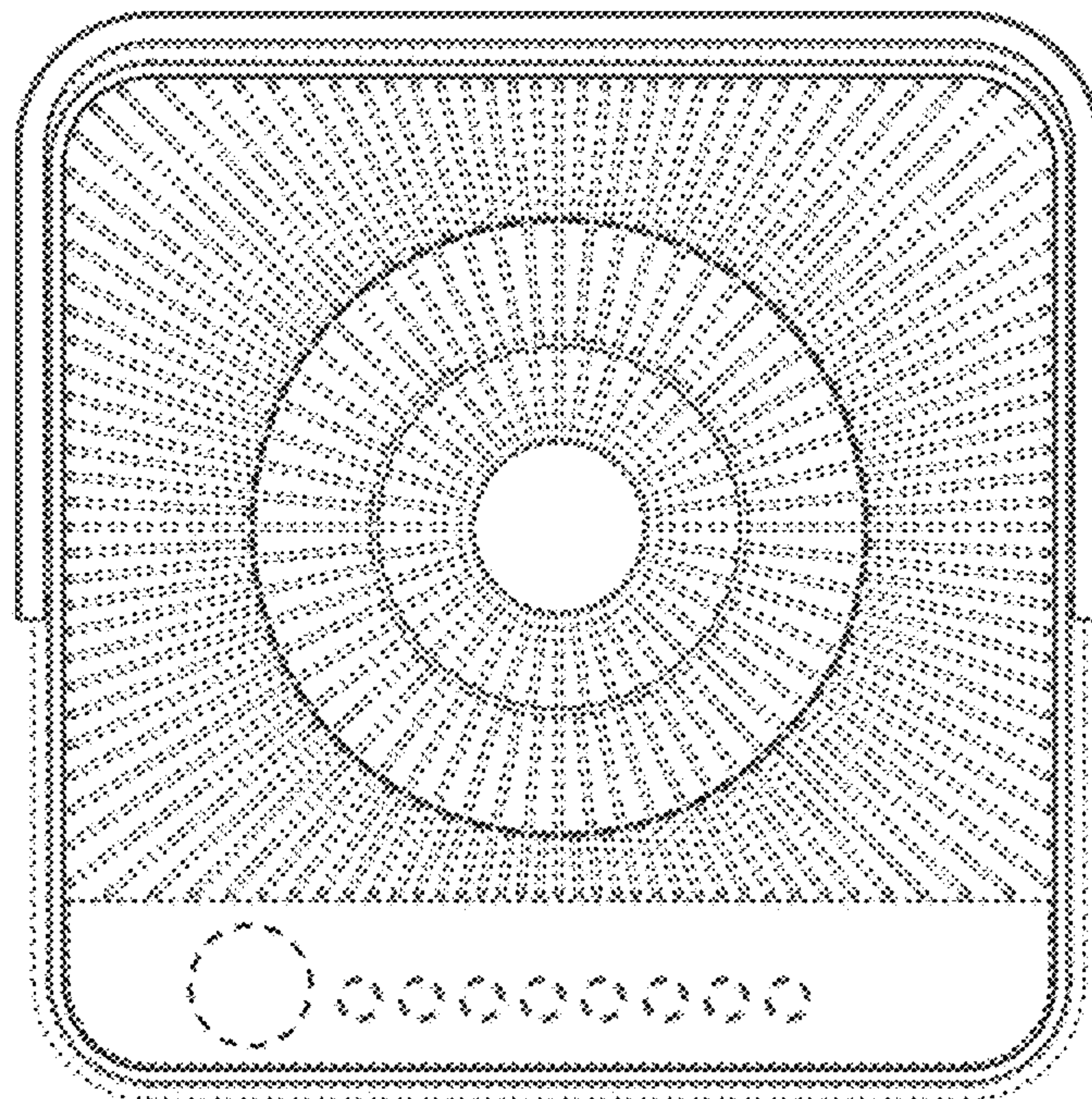


FIG. 5

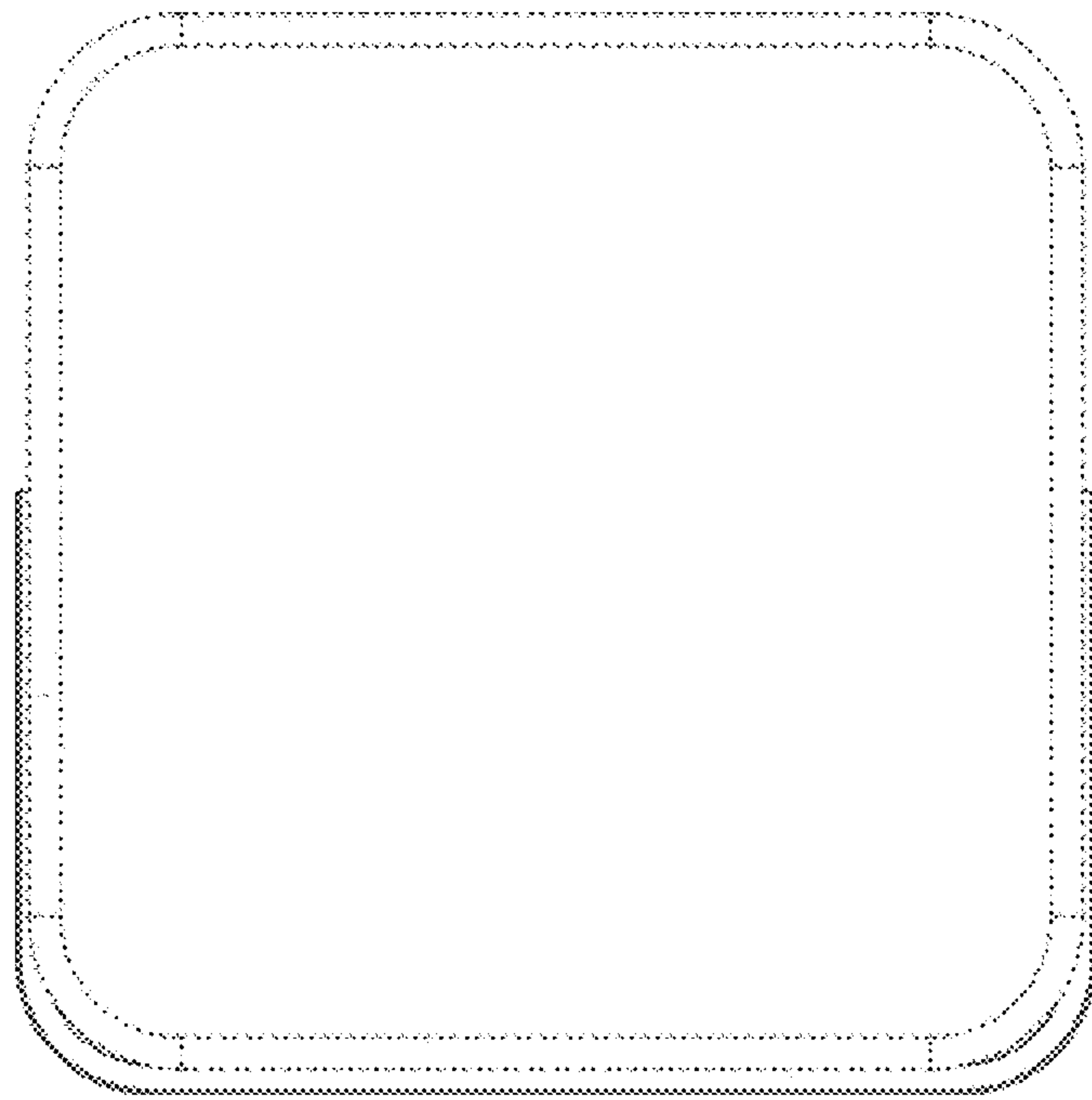


FIG. 6



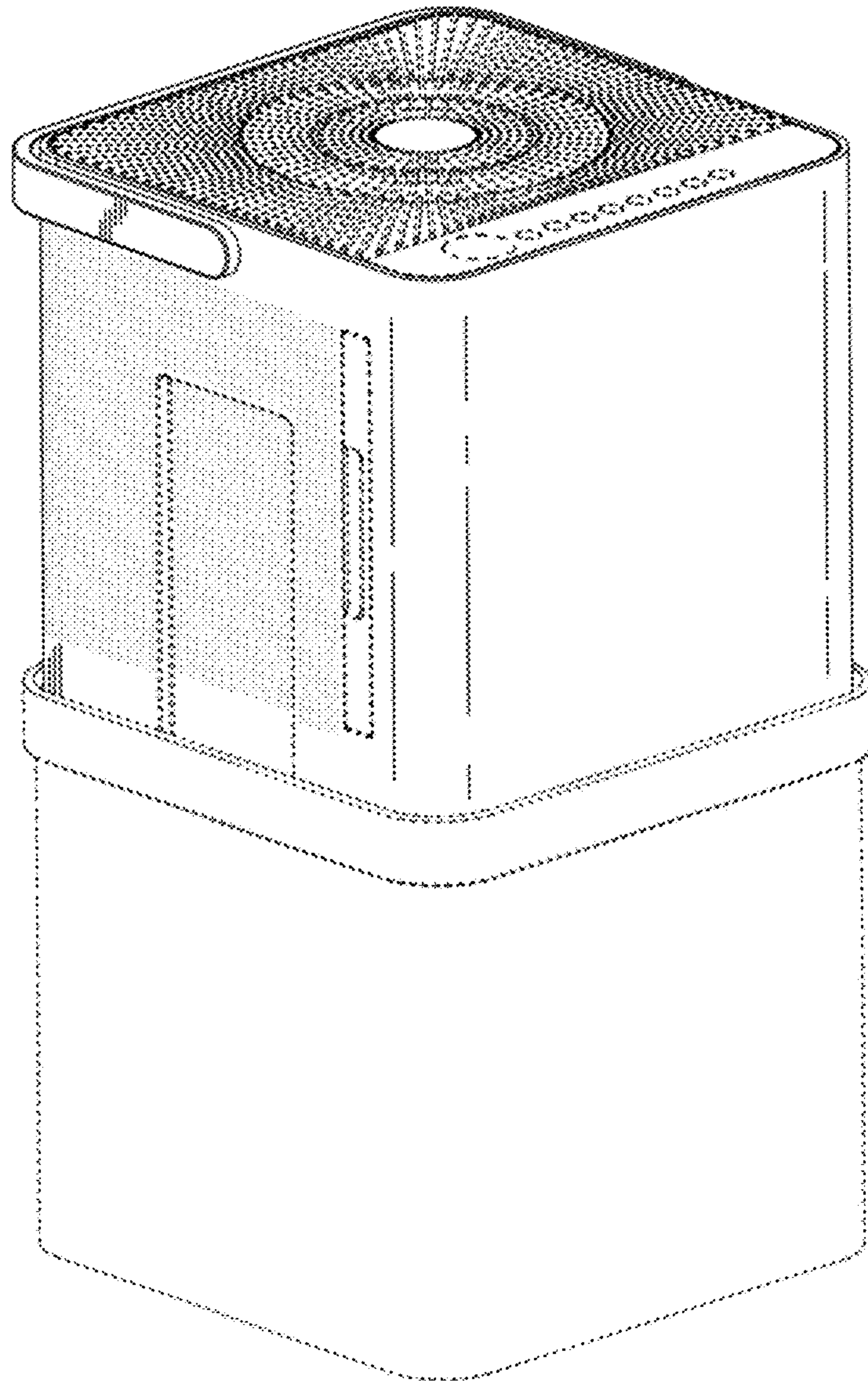


FIG. 7

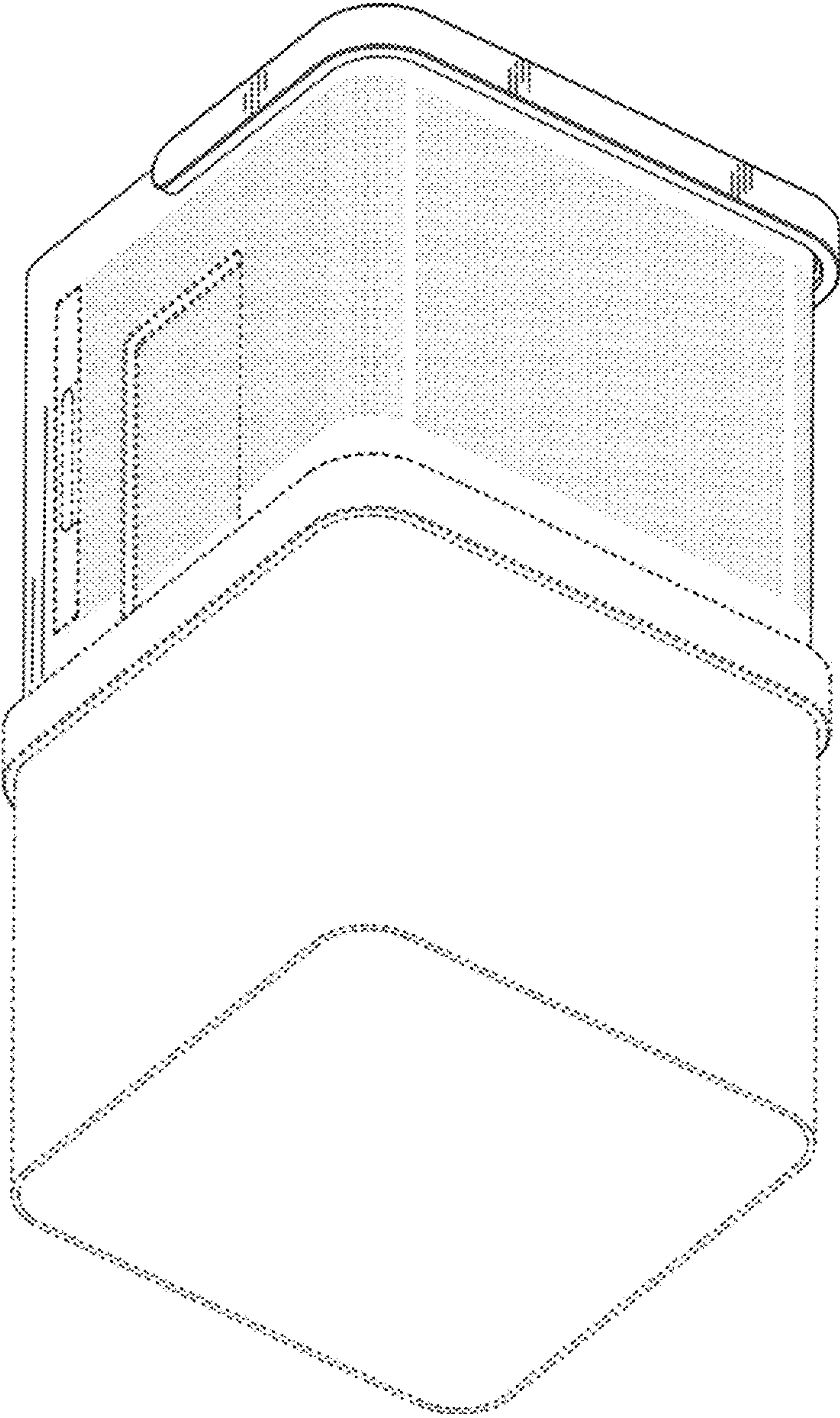


FIG. 8

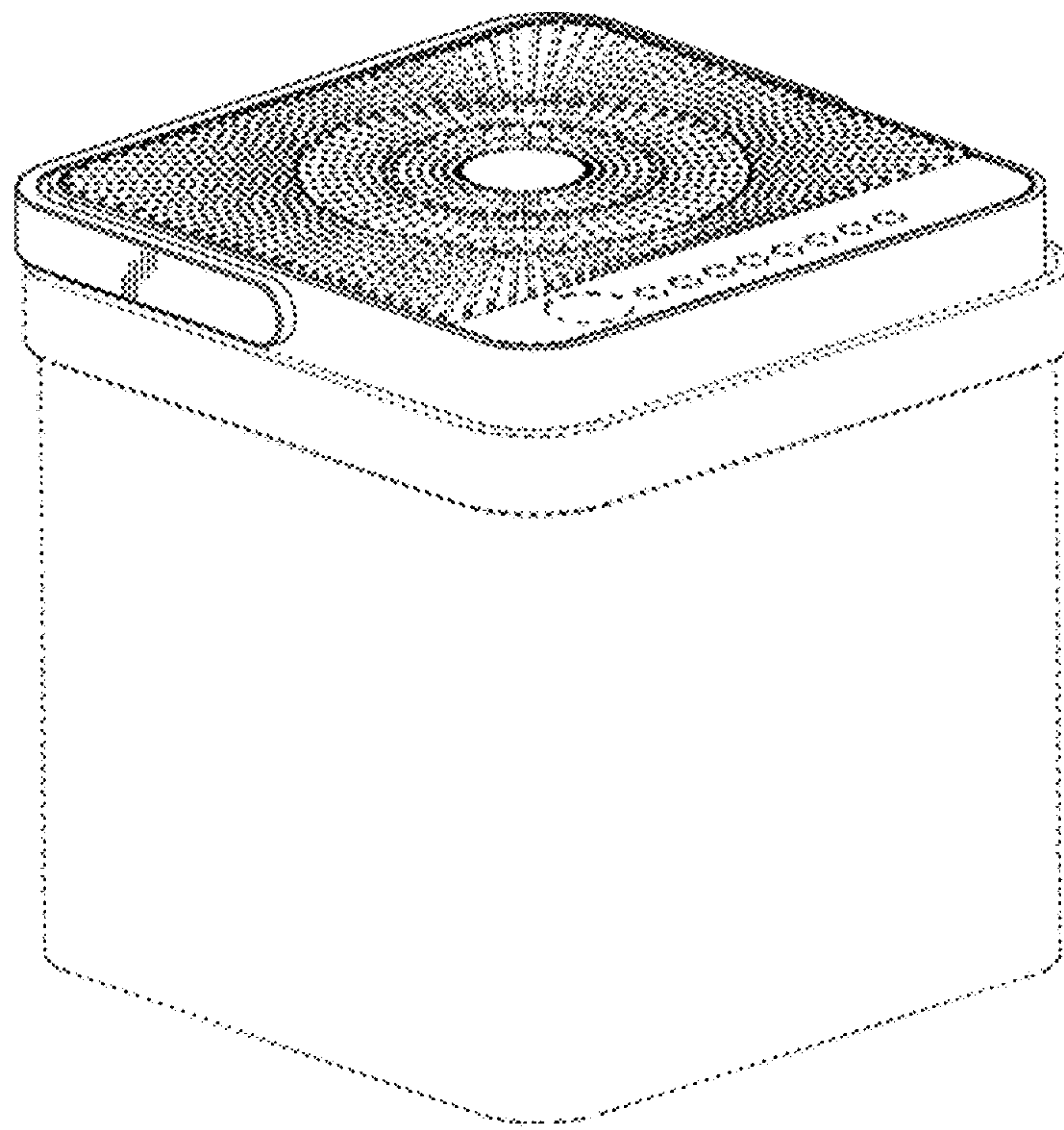


FIG. 9