



US00D973188S

(12) **United States Design Patent**
Yang et al.

(10) **Patent No.:** **US D973,188 S**
(45) **Date of Patent:** **** Dec. 20, 2022**

(54) **DEHUMIDIFIER**

FOREIGN PATENT DOCUMENTS

(71) Applicant: **GD MIDEA AIR-CONDITIONING EQUIPMENT CO., LTD.**, Foshan (CN)

CN 305949933 * 7/2020
CN 306211382 * 12/2020

(72) Inventors: **Yongyi Yang**, Foshan (CN); **Jialong Luo**, Foshan (CN)

OTHER PUBLICATIONS

Blue Pure 211+ Air Purifier, first available Jan. 5, 2017[online], [site visited Aug. 19, 2022]. Available from internet, URL:<https://www.amazon.ca/dp/B073WJL99W> (Year: 2017).*

(73) Assignee: **GD MIDEA AIR-CONDITIONING EQUIPMENT CO., LTD.**, Foshan (CN)

(Continued)

(**) Term: **15 Years**

Primary Examiner — David G Muller
Assistant Examiner — Jamaal Rasheed

(21) Appl. No.: **29/826,241**

(74) *Attorney, Agent, or Firm* — Anova Law Group PLLC

(22) Filed: **Feb. 10, 2022**

(57) **CLAIM**

Related U.S. Application Data

The ornamental design for a dehumidifier, as shown and described.

(62) Division of application No. 29/741,097, filed on Jul. 9, 2020, now Pat. No. Des. 949,307.

DESCRIPTION

(30) **Foreign Application Priority Data**

Jan. 19, 2020 (CN) 202030037746.6

FIG. 1 is a front elevational view of a dehumidifier showing our new design;

(51) **LOC (13) Cl.** **23-04**

FIG. 2 is a rear elevational view of the dehumidifier shown in FIG. 1;

(52) **U.S. Cl.**
USPC **D23/359**

FIG. 3 is a left-side elevational view of the dehumidifier shown in FIG. 1;

(58) **Field of Classification Search**
USPC D23/332, 336, 351, 355–356, 359, D23/364–366, 378, 499

FIG. 4 is a right-side elevational view of the dehumidifier shown in FIG. 1;

FIG. 5 is a top plan view of the dehumidifier shown in FIG. 1;

(Continued)

FIG. 6 is a bottom plan view of the dehumidifier shown in FIG. 1;

(56) **References Cited**

U.S. PATENT DOCUMENTS

3,277,636 A * 10/1966 Hemmerlein F24F 3/1411 96/152

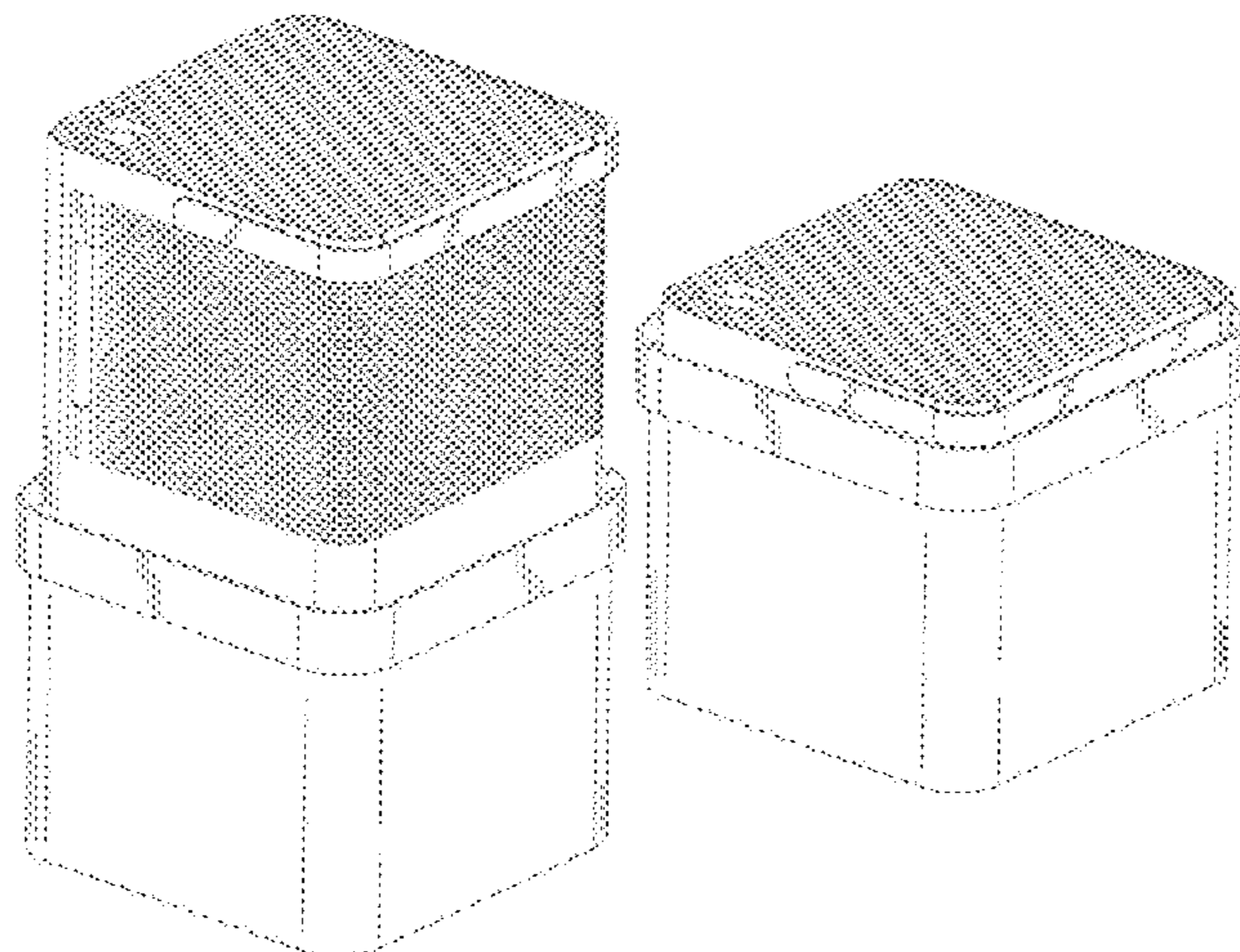
FIG. 7 is a left-front perspective view of the dehumidifier shown in FIG. 1;

FIG. 8 is a right-rear perspective view of the dehumidifier shown in FIG. 1; and,

D865,148 S * 10/2019 Yoon D23/364
(Continued)

FIG. 9 is a right-rear perspective view of the dehumidifier shown in FIG. 1 in a retracted configuration.

(Continued)



The broken lines shown in the drawings are for the purpose of illustrating portions of the dehumidifier that form no part of the claimed design.

1 Claim, 9 Drawing Sheets

(58) Field of Classification Search

CPC F24F 1/029; F24F 1/035; F24F 1/0287;
 F24F 6/06; F24F 6/14; F24F 13/06; F24F
 13/20; F24F 13/222; F24F 3/16; F24F
 3/1405

See application file for complete search history.

(56) References Cited

U.S. PATENT DOCUMENTS

D878,531 S *	3/2020	Shin	D23/364
D888,918 S *	6/2020	Seo	D23/356
D912,796 S *	3/2021	Huang	D23/364
D917,683 S *	4/2021	Xie	D23/359
D918,366 S *	5/2021	Li	D23/359

D924,385 S *	7/2021	Liu	F24F 13/20 D23/356
D925,024 S *	7/2021	Huang	D23/356
D933,797 S *	10/2021	Liu	D23/364
D942,602 S *	2/2022	Yu	D23/356
D948,689 S *	4/2022	Shen	F24F 11/30 D23/356
2013/0149200 A1 *	6/2013	Hong	B01D 53/30 96/27
2015/0231543 A1 *	8/2015	Wennerstrom	F24F 7/06 415/203
2018/0221805 A1 *	8/2018	Bae	B01D 46/58
2021/0129070 A1 *	5/2021	Han	B01D 47/16
2021/0333010 A1 *	10/2021	Yang	F24F 3/14
2022/0008601 A1 *	1/2022	Wang	B01D 46/2411

OTHER PUBLICATIONS

Blue Pure 121 Air Purifier, first available Apr. 7, 2018[online], [site visited Aug. 19, 2022]. Available from internet, URL:<<https://www.amazon.ca/Purifier-Washable-Pre-Filters-Particle-Allergens/dp/B073WJPK5H?th=1>> (Year: 2018).*

* cited by examiner

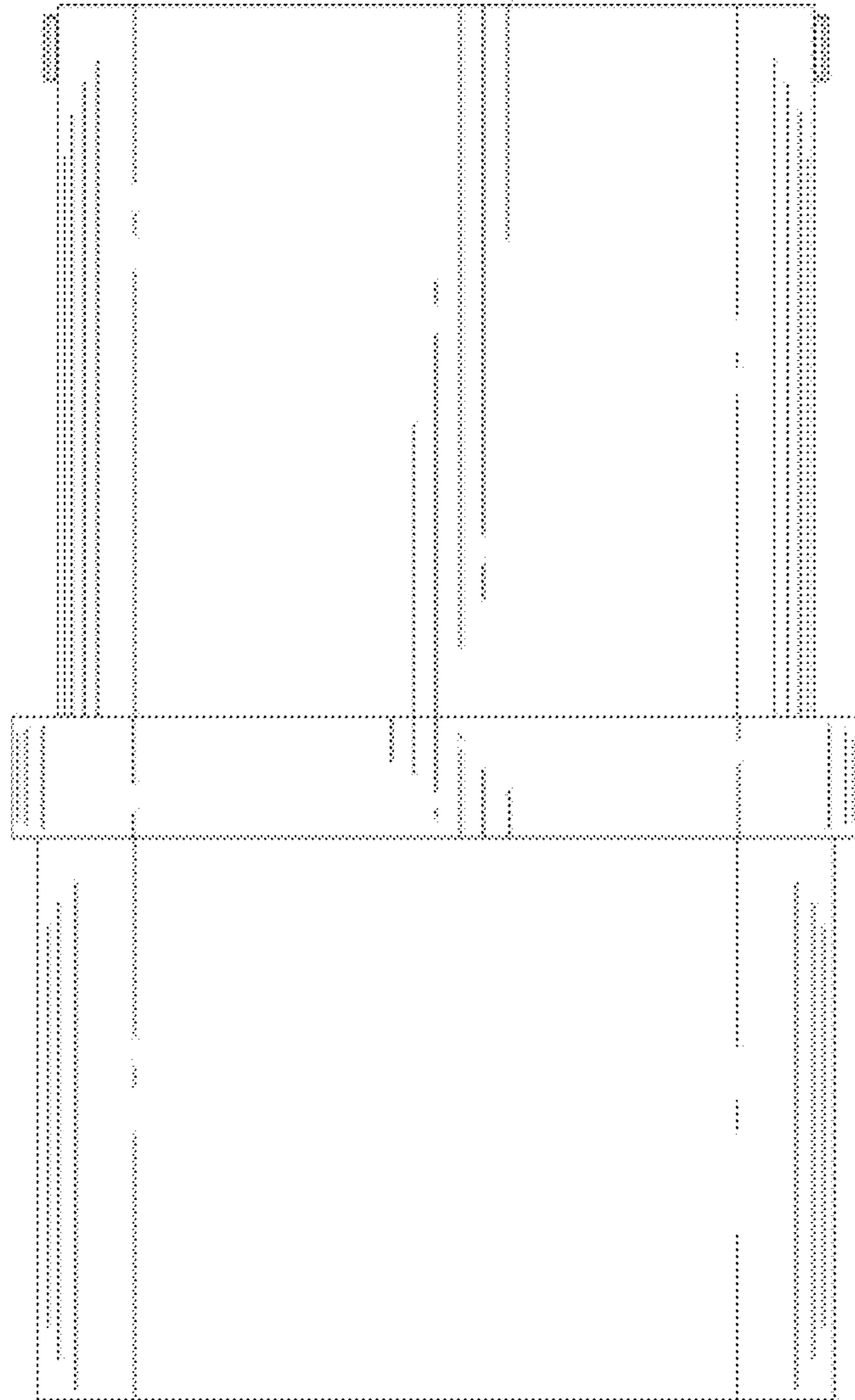


FIG. 1

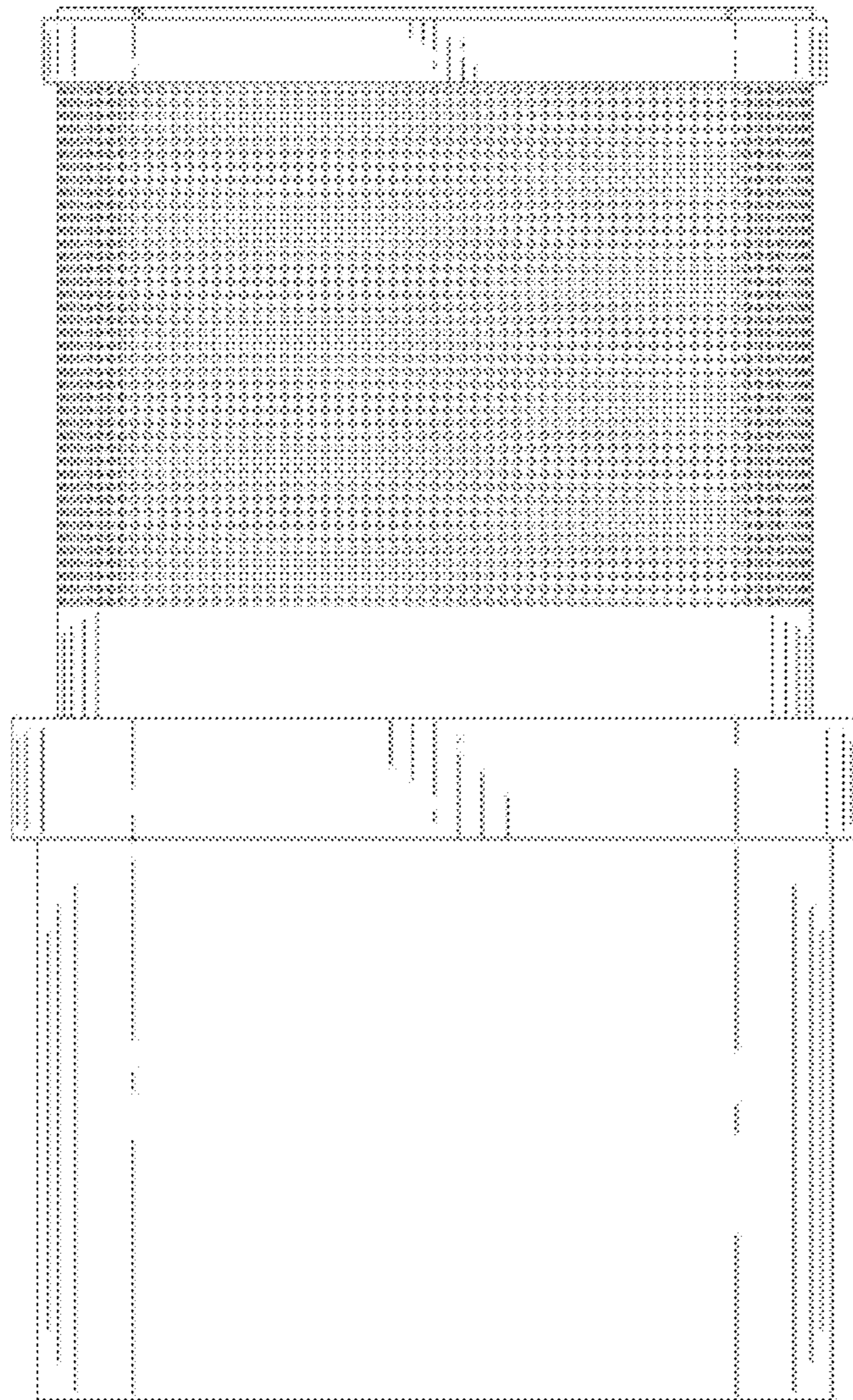


FIG. 2

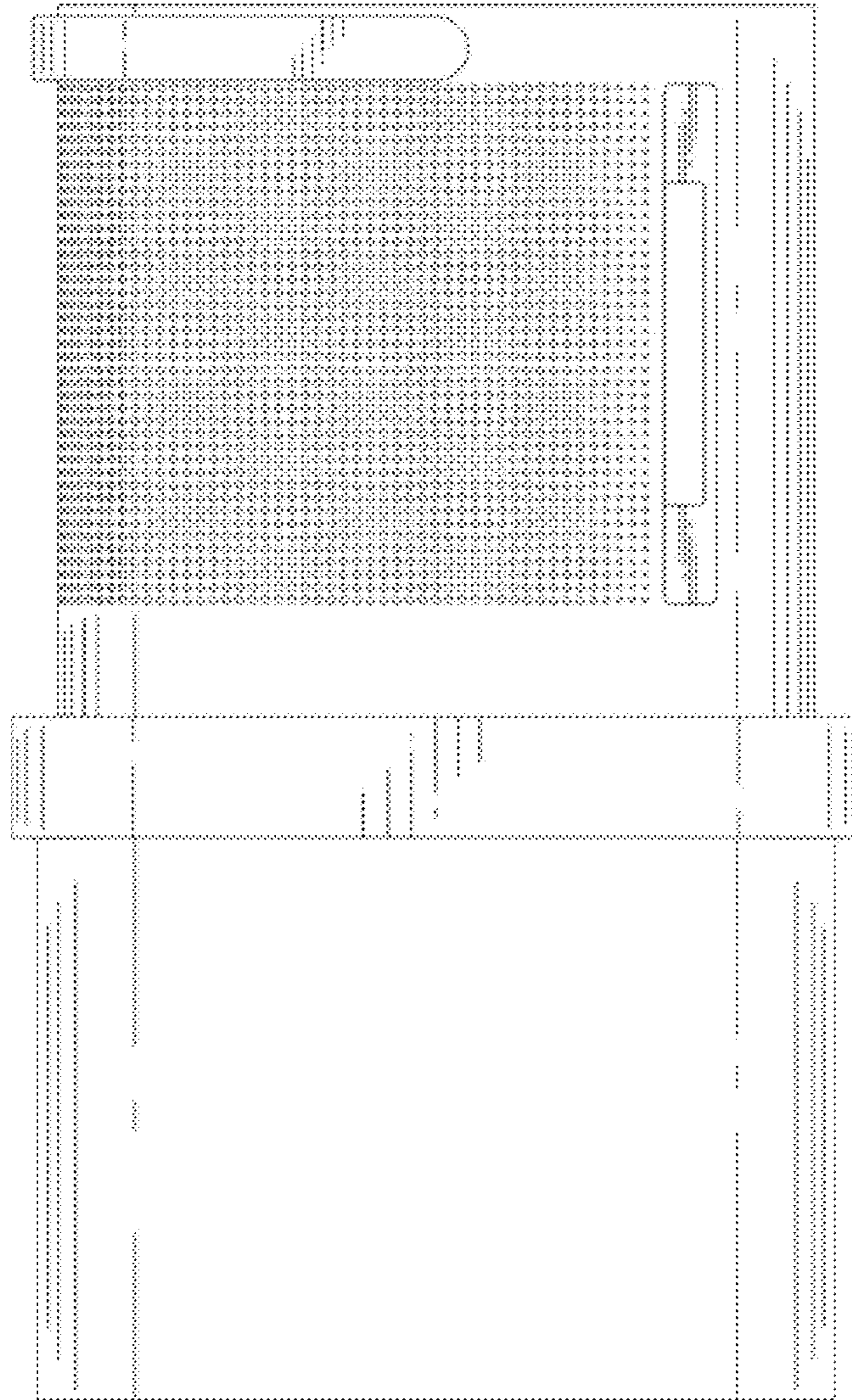


FIG. 3

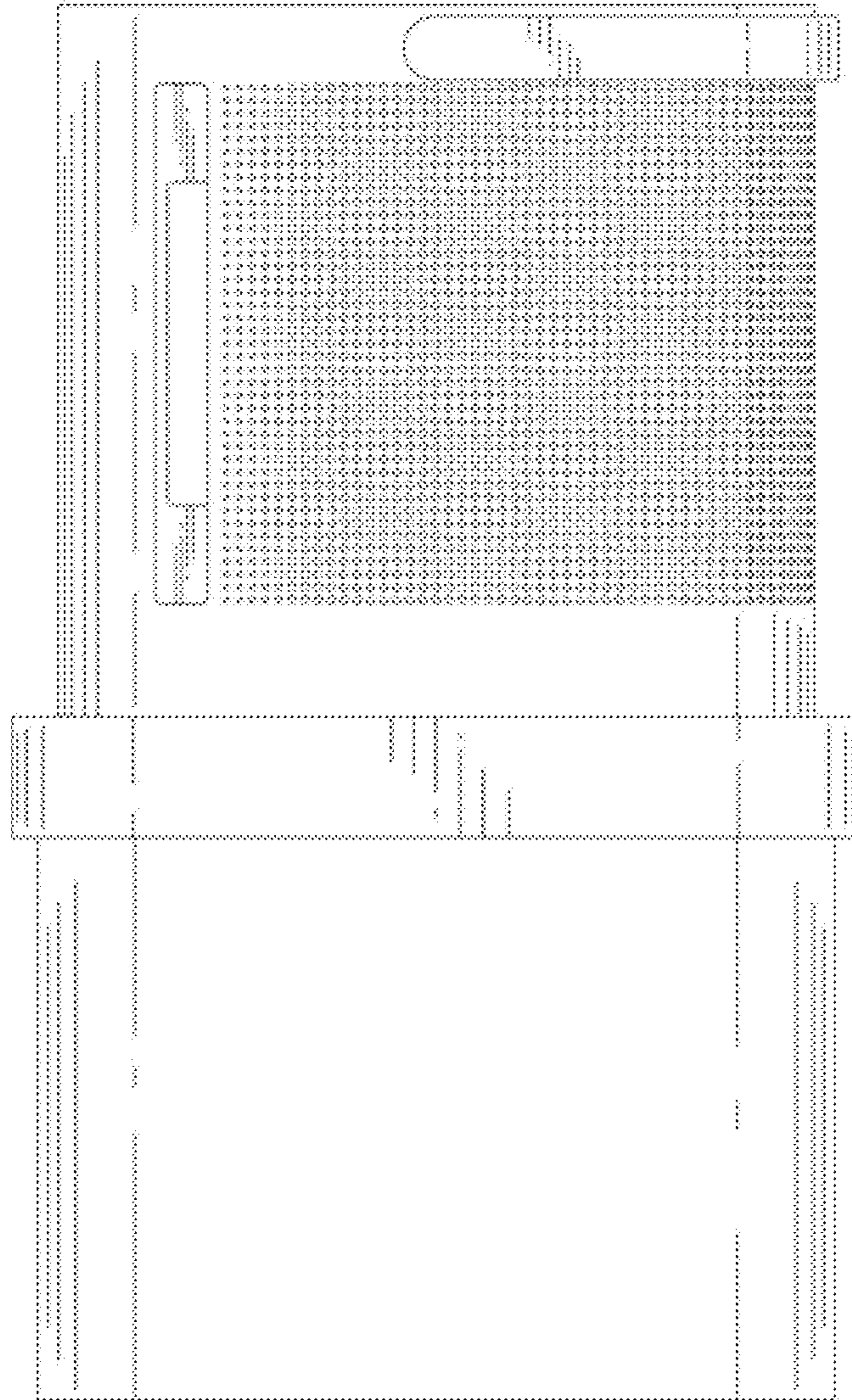


FIG. 4

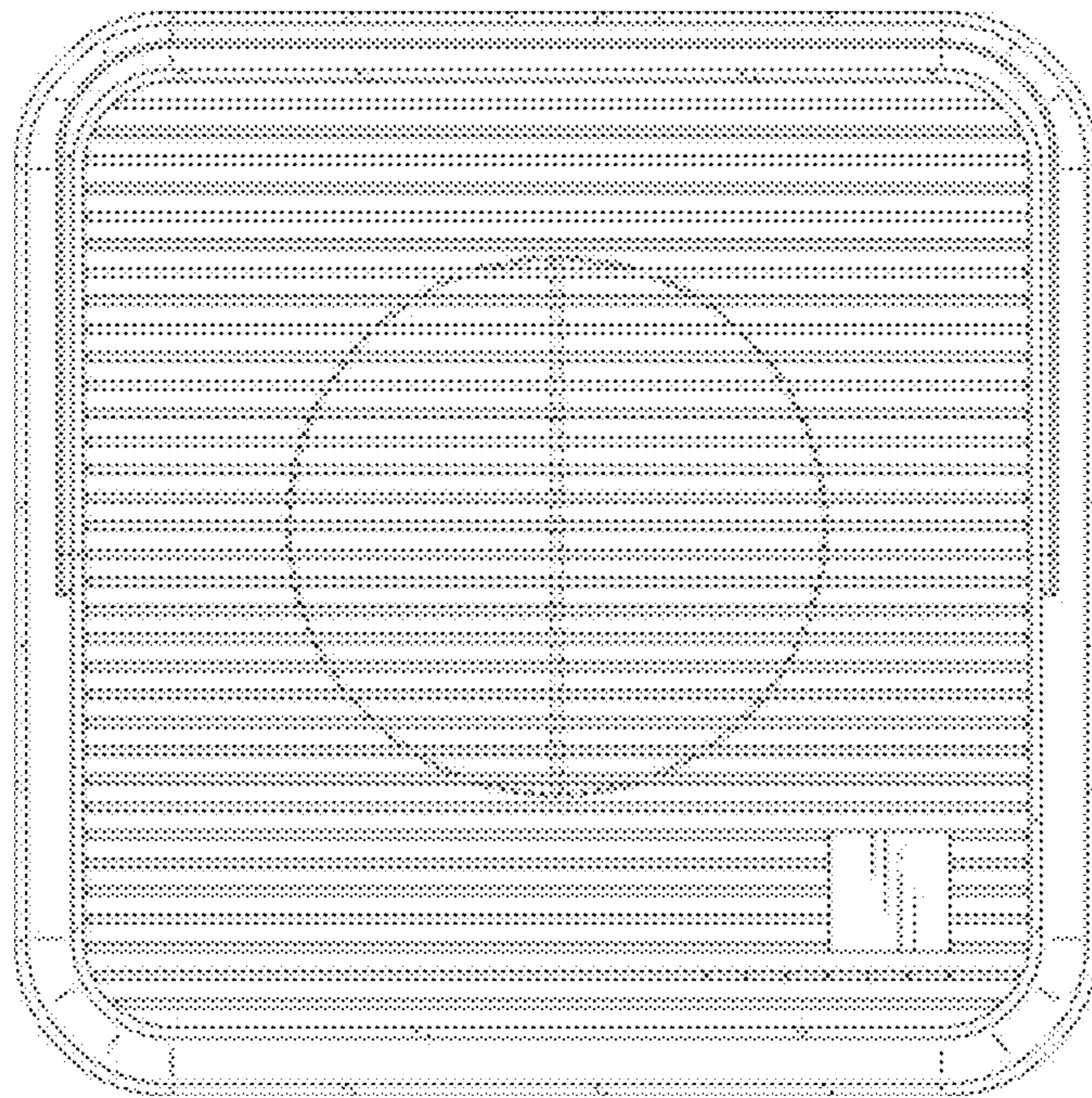


FIG. 5

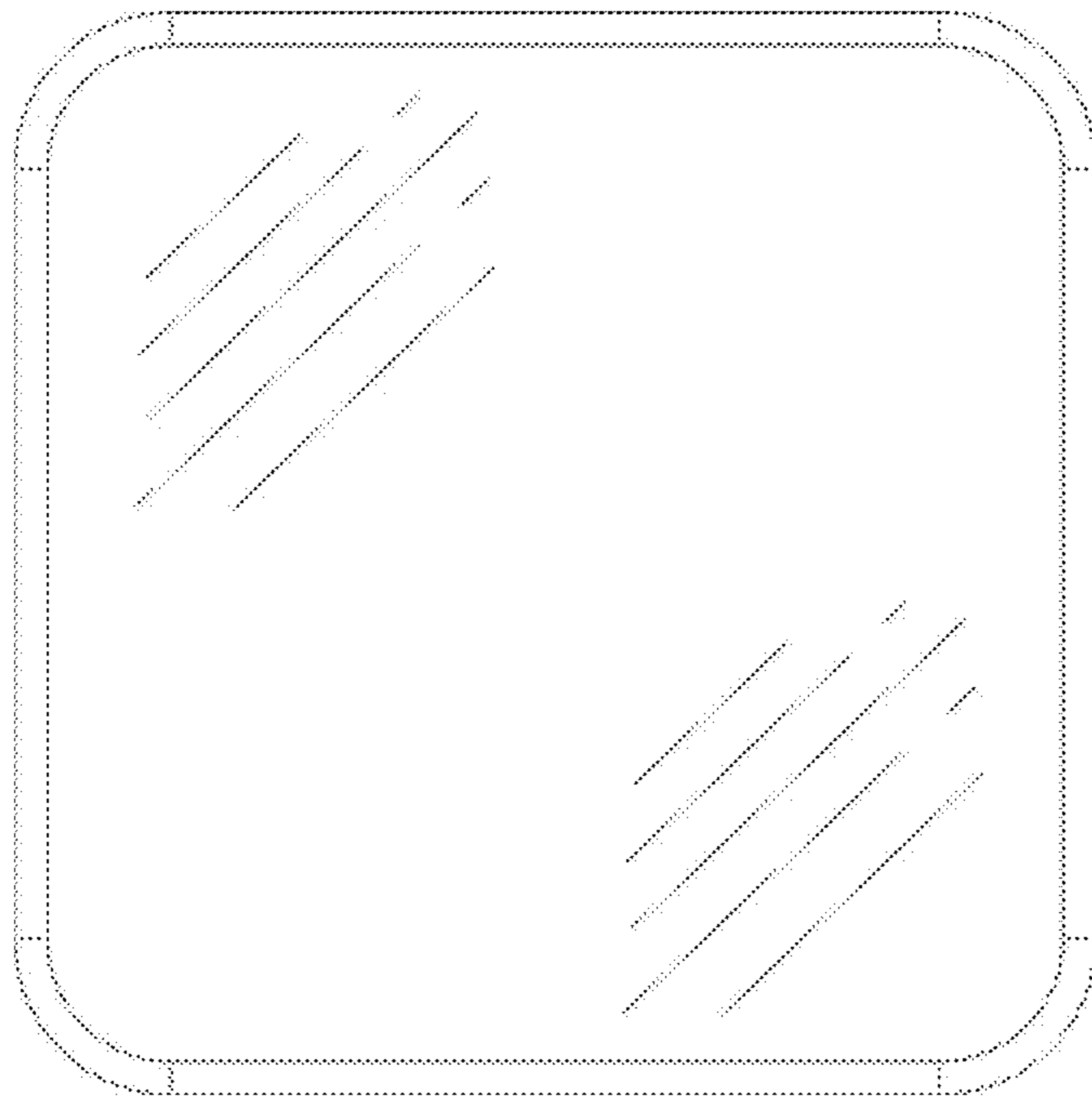


FIG. 6

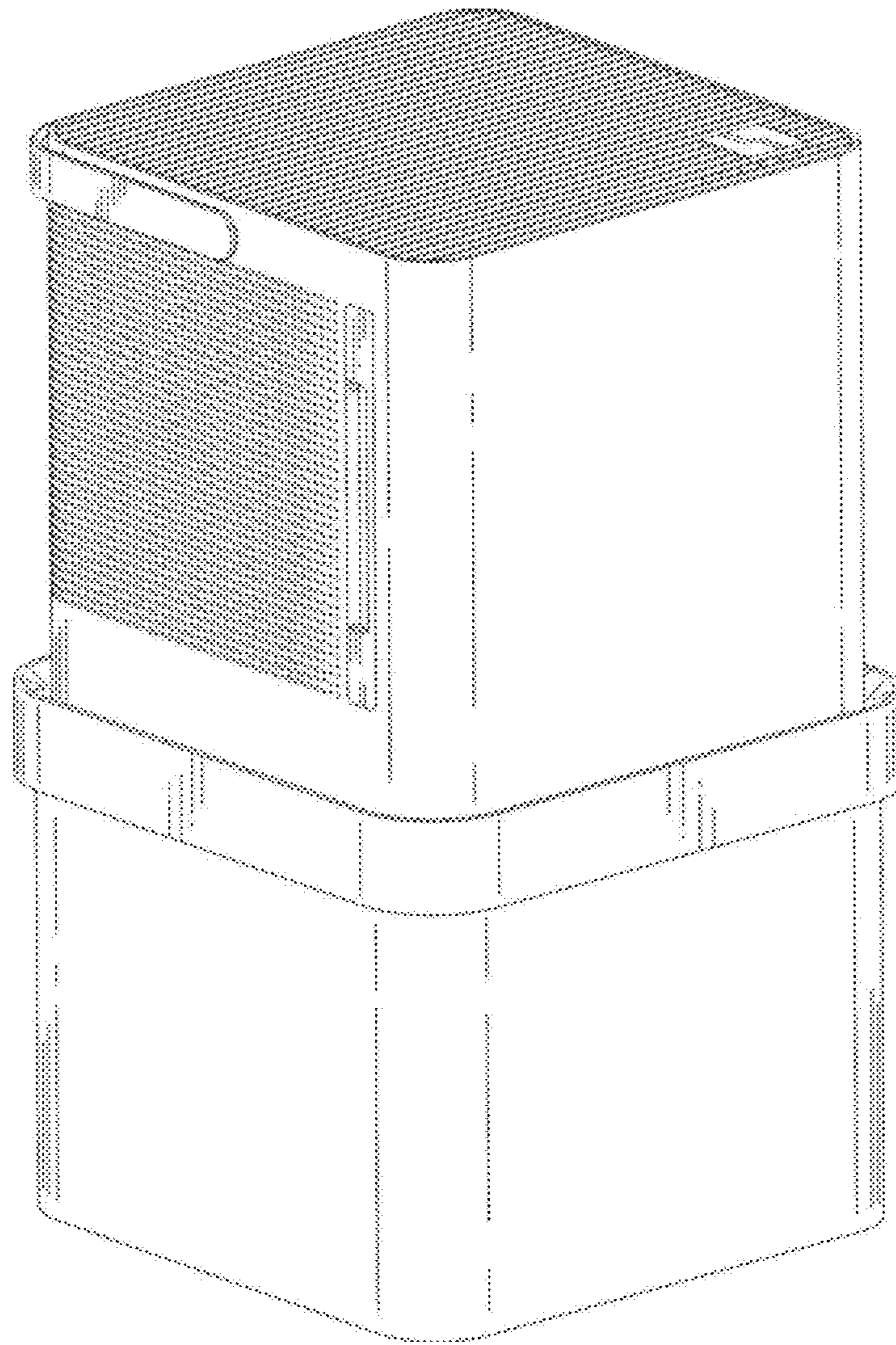


FIG. 7

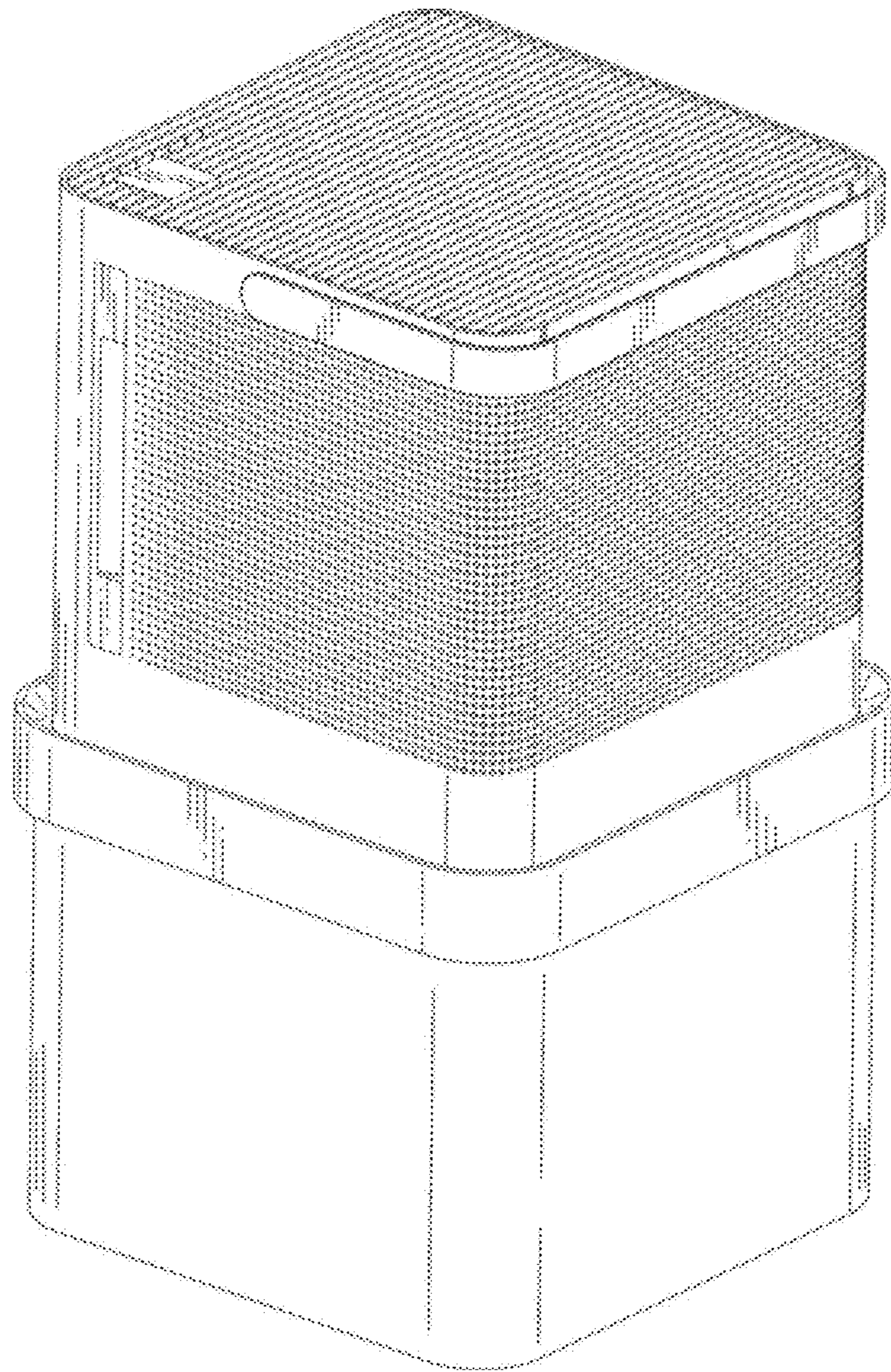


FIG. 8

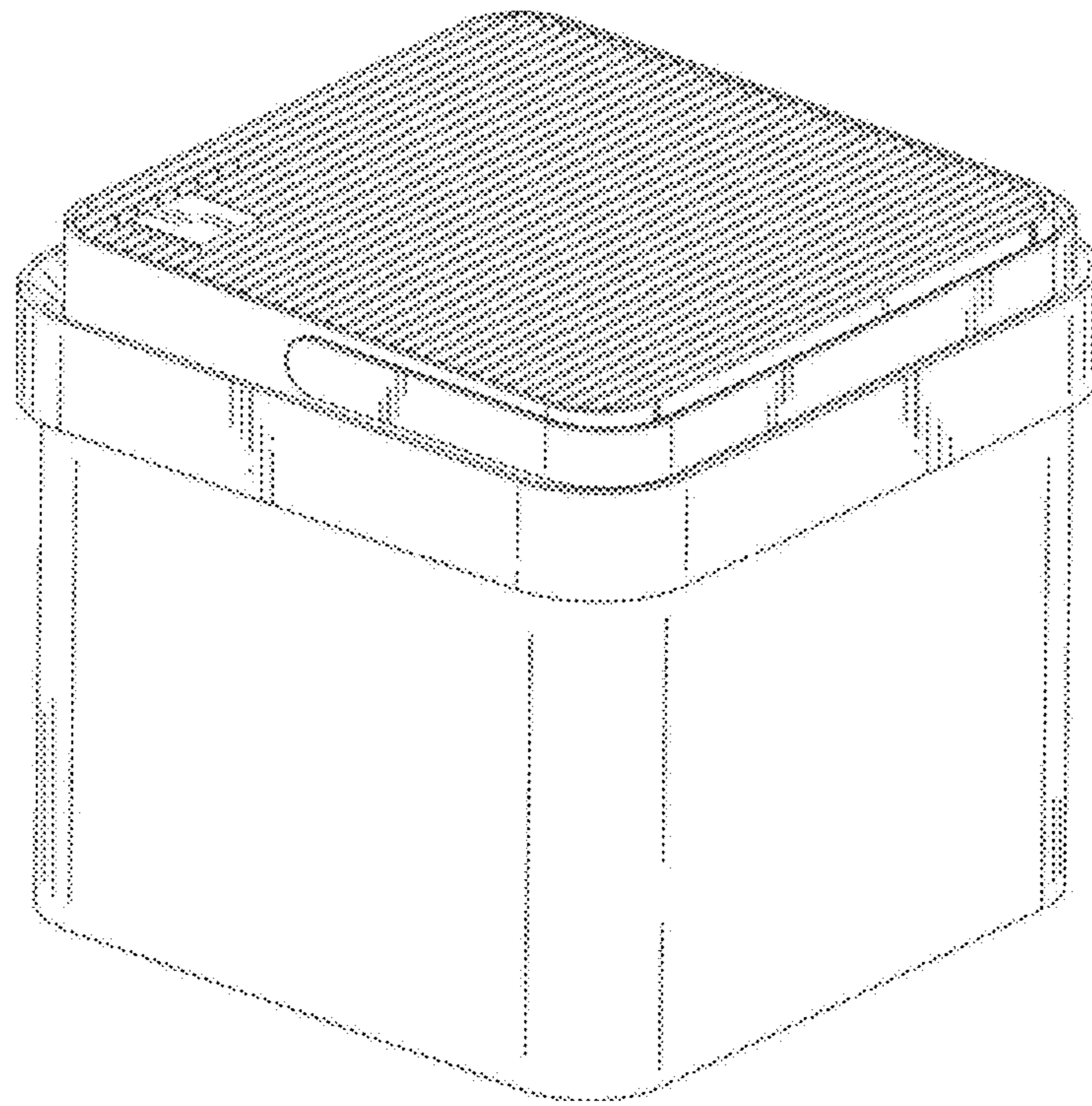


FIG. 9