



US00D973187S

(12) **United States Design Patent** (10) **Patent No.:** **US D973,187 S**
Zheng (45) **Date of Patent:** **** Dec. 20, 2022**

(54) **SPACE HEATER**

FOREIGN PATENT DOCUMENTS

(71) Applicant: **GUANGZHOU JINGSHENG INTERNATIONAL TRADE CO., LTD.**, Guangzhou (CN)

CN 302710564 * 9/2013
CN 304835601 * 5/2018

(72) Inventor: **Yuchuan Zheng**, Ganzhou (CN)

OTHER PUBLICATIONS

(73) Assignee: **GUANGZHOU JINGSHENG INTERNATIONAL TRADE CO., LTD.**, Guangzhou (CN)

Auertech space heater Oct. 25, 2020 found on Jul. 26, 2022 at: <https://www.amazon.com/dp/B08LTCGBTR/> (Year: 2020).*

(Continued)

(**) Term: **15 Years**

Primary Examiner — Karen S Acker
Assistant Examiner — Jonathan E Fiencke

(21) Appl. No.: **29/806,486**

(22) Filed: **Sep. 3, 2021**

(57) **CLAIM**

(51) **LOC (13) Cl.** **23-01**

The ornamental design for a space heater, as shown and described.

(52) **U.S. Cl.**

USPC **D23/336**

(58) **Field of Classification Search**

USPC D23/207, 213–214, 255, 283, 317–324,
D23/332, 335–343, 355–365, 398–403,
D23/417–419

DESCRIPTION

CPC F24H 3/0488; F24H 3/0417; F24H 9/0073;
F24H 9/1881; F23D 14/36

See application file for complete search history.

FIG. 1 is a front perspective view of a space heater showing my new design;
FIG. 2 is a rear perspective view thereof;
FIG. 3 is a front elevational view thereof;
FIG. 4 is a rear elevational view thereof;
FIG. 5 is a left side elevational view thereof;
FIG. 6 is a right side elevational view thereof;
FIG. 7 is a top plan view thereof;
FIG. 8 is a bottom plan view thereof;
FIG. 9 is an enlarged view of portion 9 shown in FIG. 1; and,
FIG. 10 is an enlarged view of portion 10 shown in FIG. 2.
The dash-dash broken lines in the drawings depict portions of the space heater that form no part of the claimed design. The dot-dash broken lines denote the boundaries of the detail views and form no part of the claimed design. In FIGS. 1-4 and 9-10, the features visible behind the front and rear grates form no part of the claimed design.

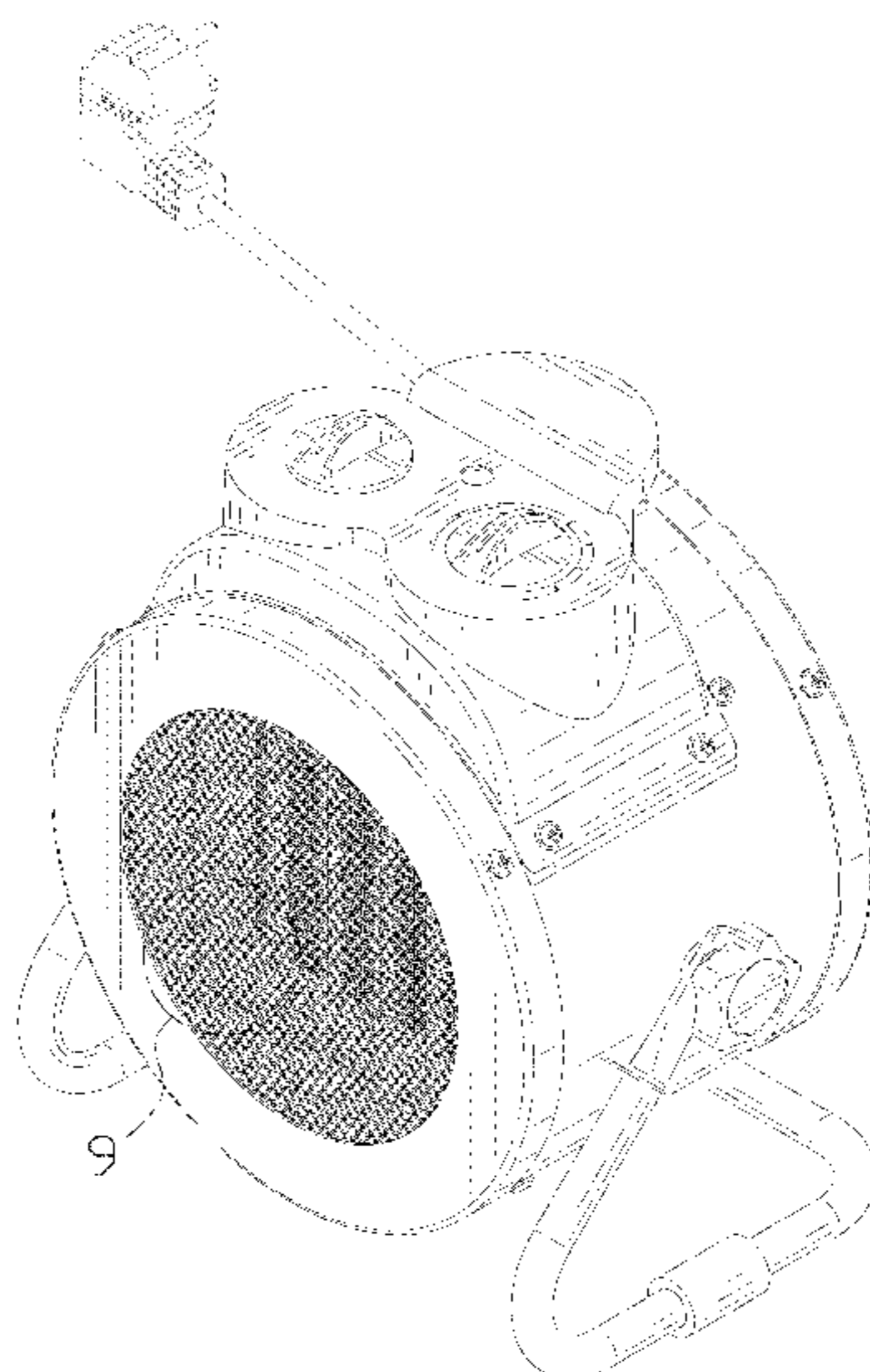
(56) **References Cited**

U.S. PATENT DOCUMENTS

D327,315 S * 6/1992 Pelonis D23/355
D422,067 S * 3/2000 Lee D23/336
D452,730 S 1/2002 Mito
D467,326 S * 12/2002 Shapiro D23/336
D468,005 S 12/2002 Bailey
D502,768 S * 3/2005 Blateri D23/336
D539,402 S * 3/2007 Blateri D23/336
D554,244 S * 10/2007 Blateri D23/335
D597,639 S * 8/2009 Chen Lee D23/328
D847,960 S * 5/2019 He D23/332
D858,728 S * 9/2019 Meng D23/335
D859,620 S * 9/2019 Le D23/335

(Continued)

1 Claim, 10 Drawing Sheets



(56)

References Cited

U.S. PATENT DOCUMENTS

D881,364 S *	4/2020	Li	D23/355
D905,216 S *	12/2020	He	D23/337
D950,028 S *	4/2022	Pease	D23/335
D954,920 S *	6/2022	Xie	D23/335
D959,625 S *	8/2022	Lei	D23/335
D961,745 S *	8/2022	Zhang	D23/332
D963,817 S *	9/2022	Goodman	D23/332

OTHER PUBLICATIONS

Sunnydaze space heater Oct. 6, 2020 found on Jul. 26, 2022 at:
<https://www.amazon.com/dp/B08KSMKSGC?0> (Year: 2020).*

* cited by examiner

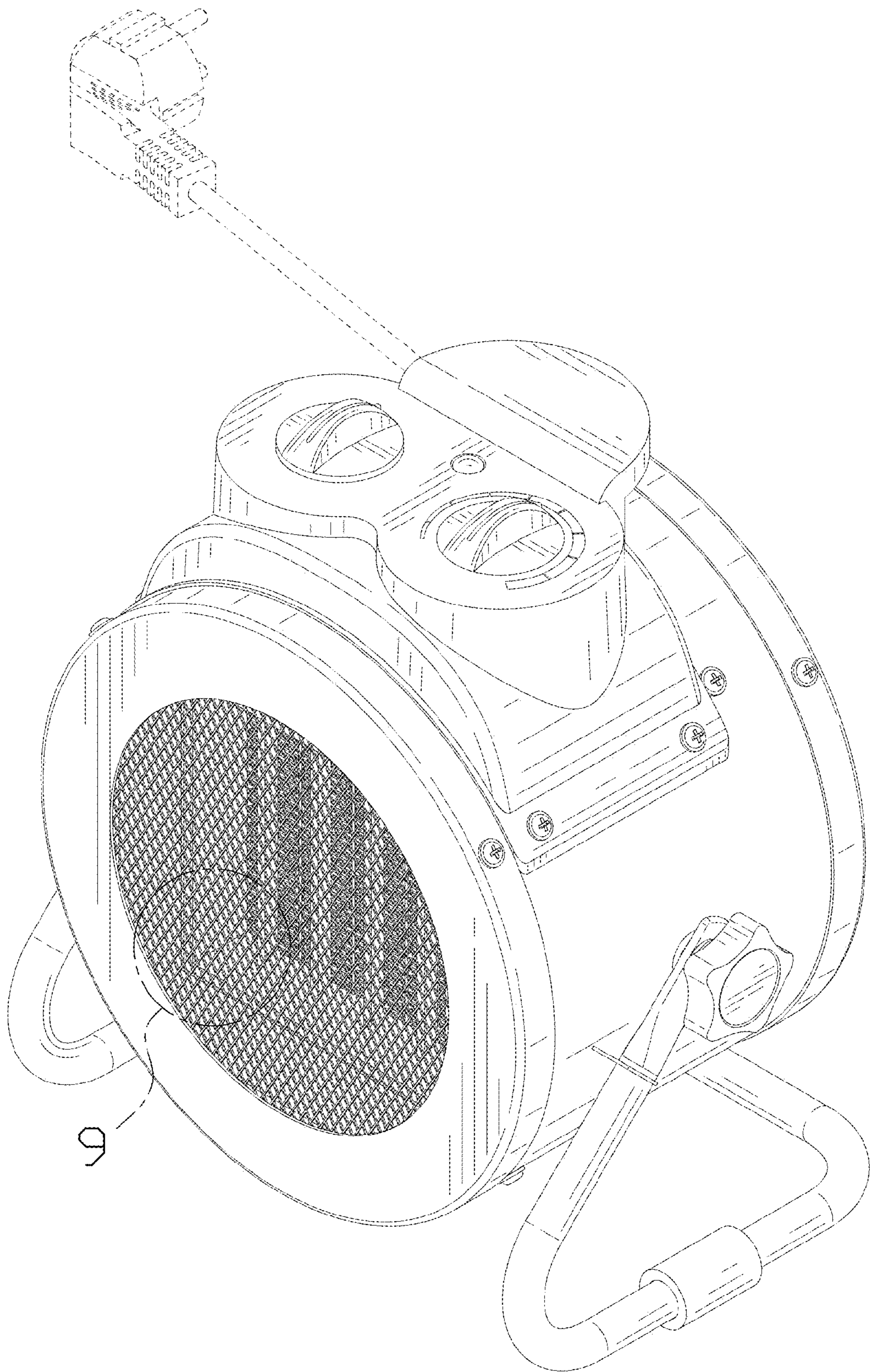


FIG. 1

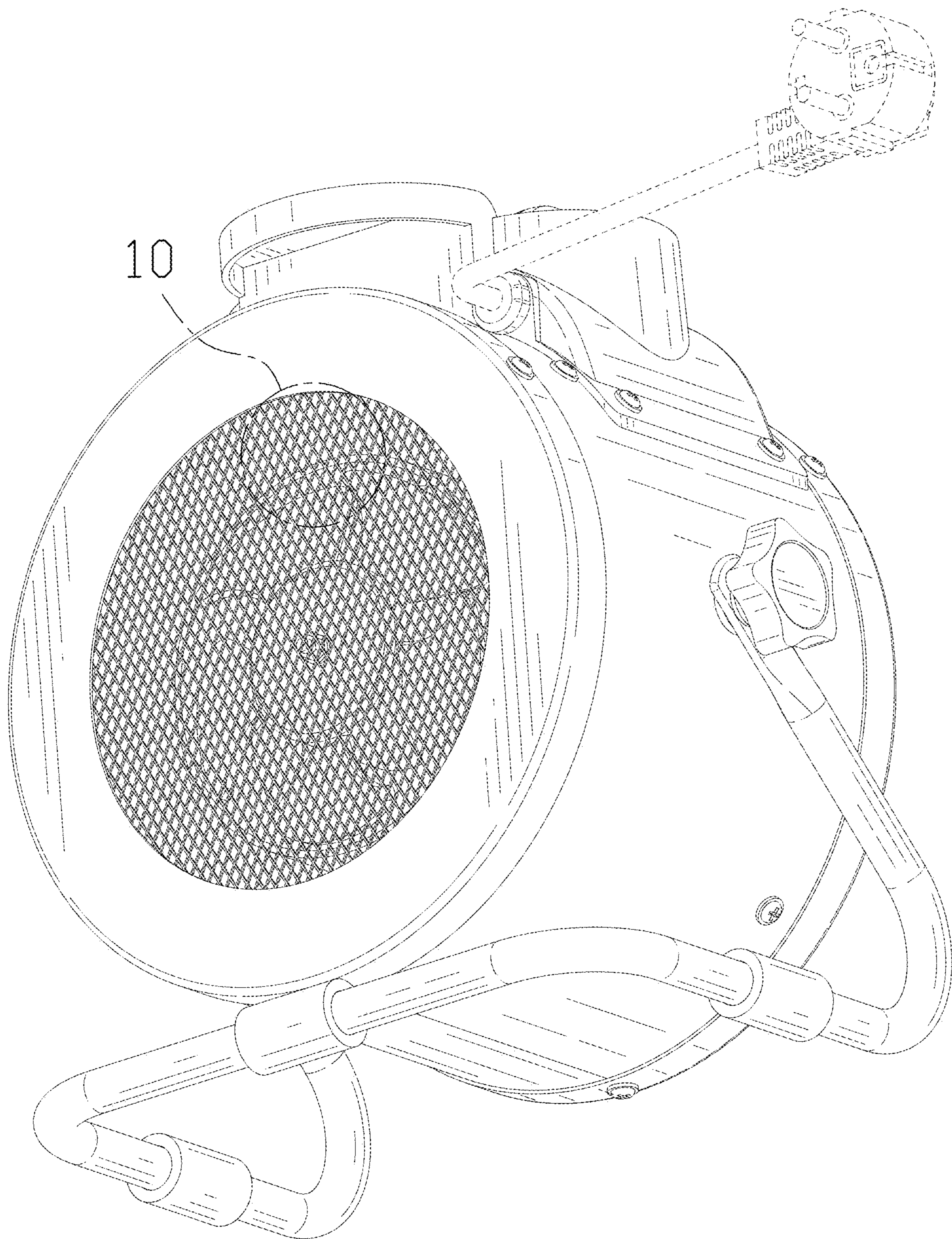


FIG. 2

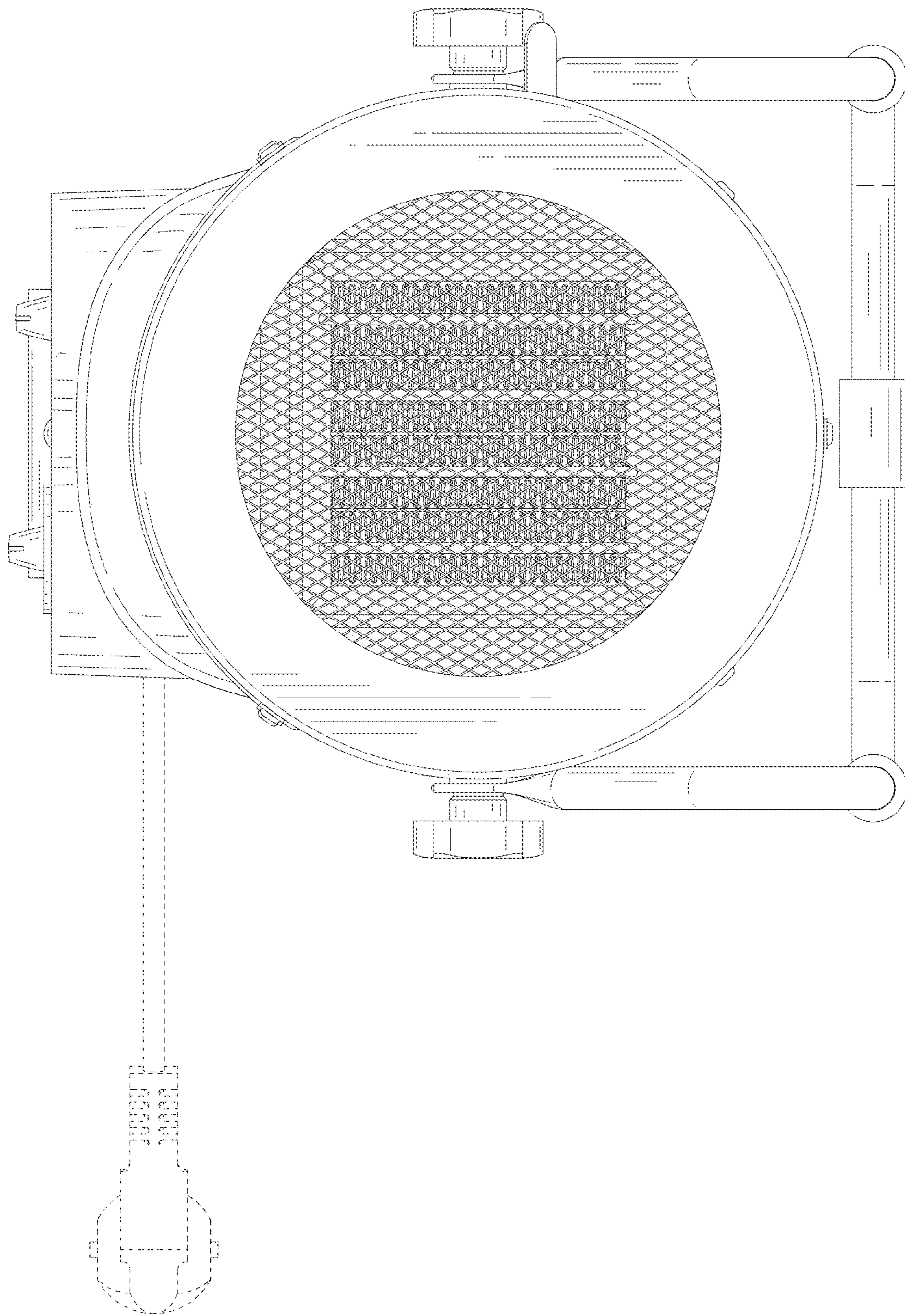


FIG. 3

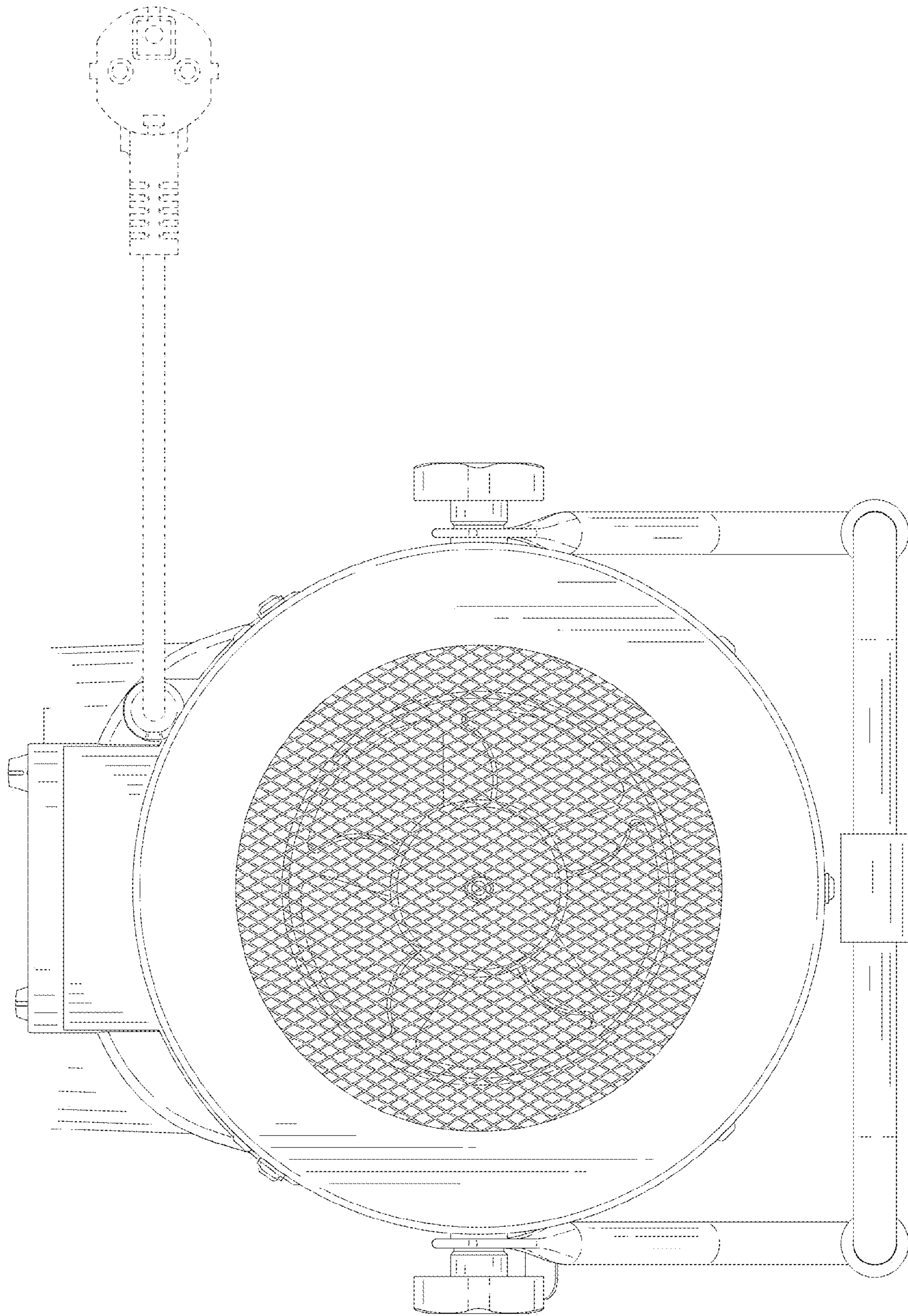


FIG. 4

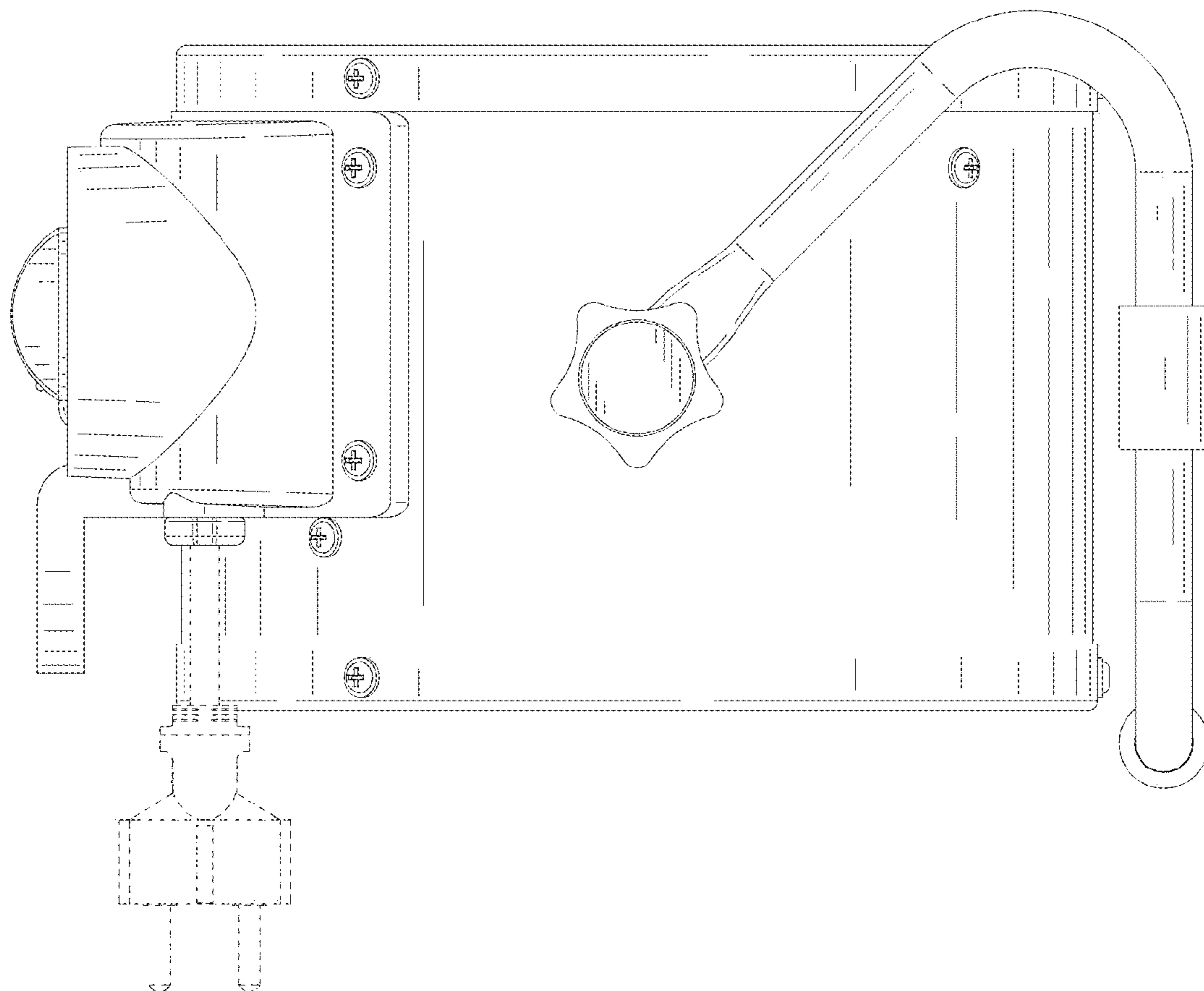


FIG. 5

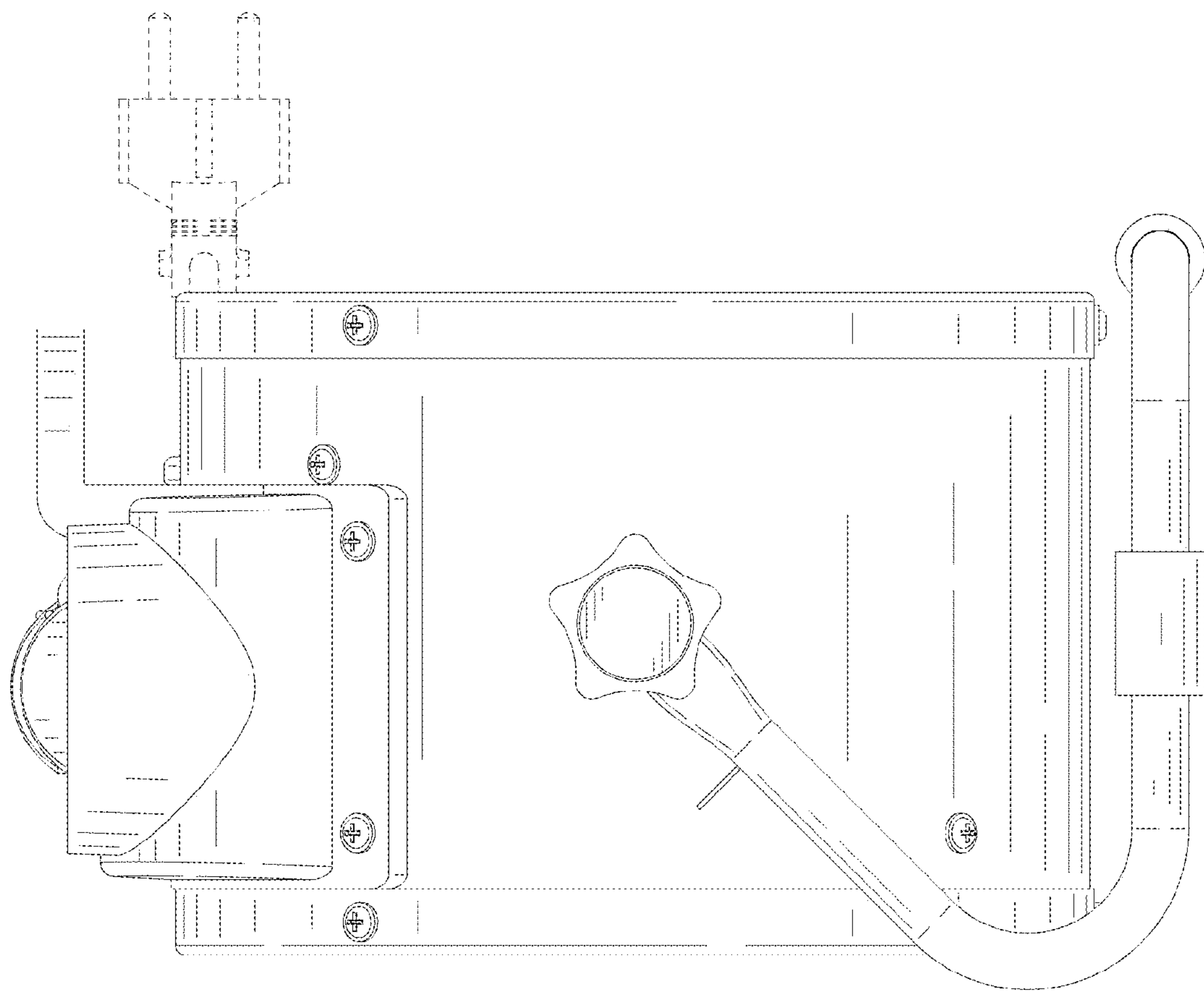


FIG. 6

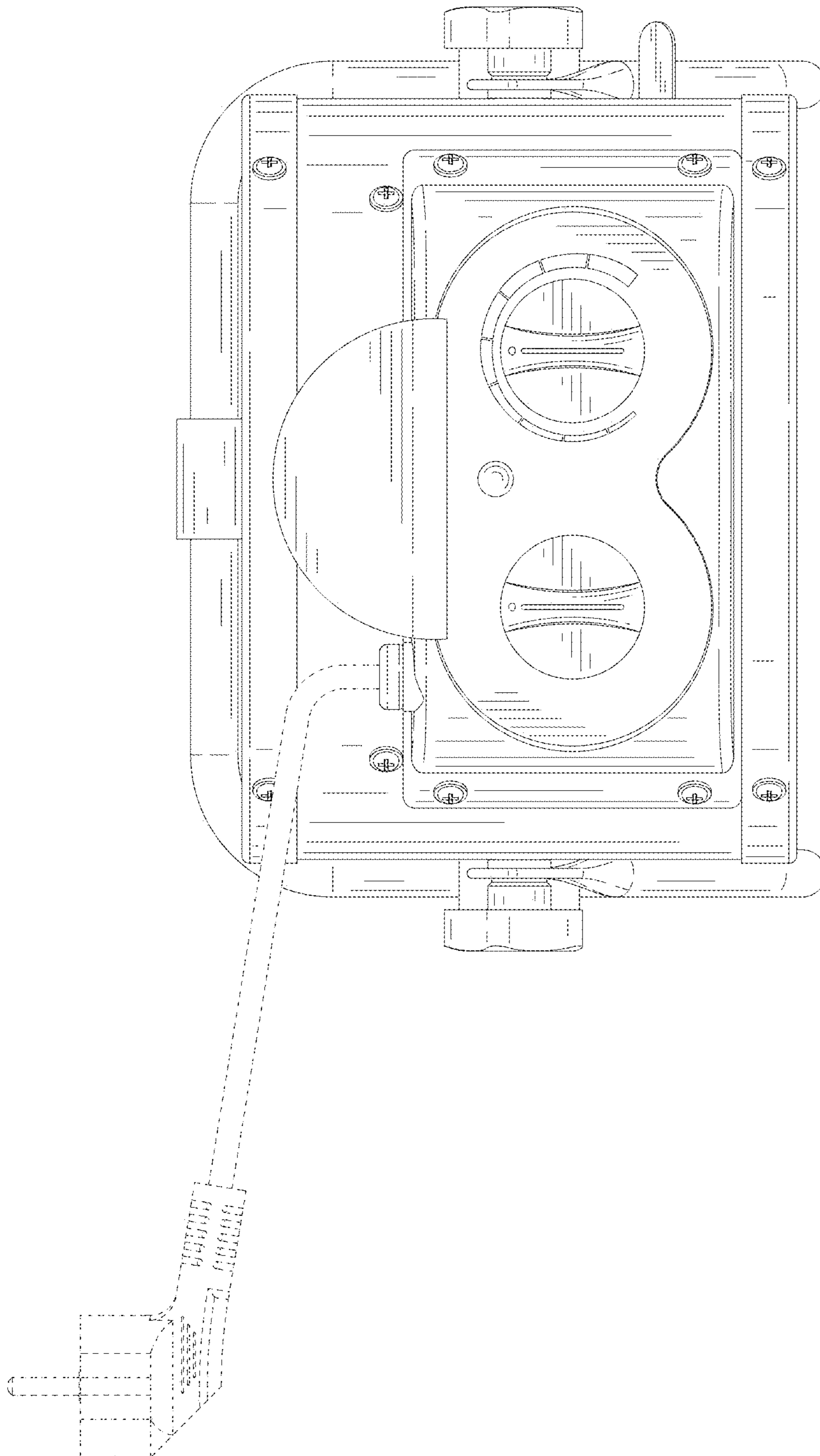


FIG. 7

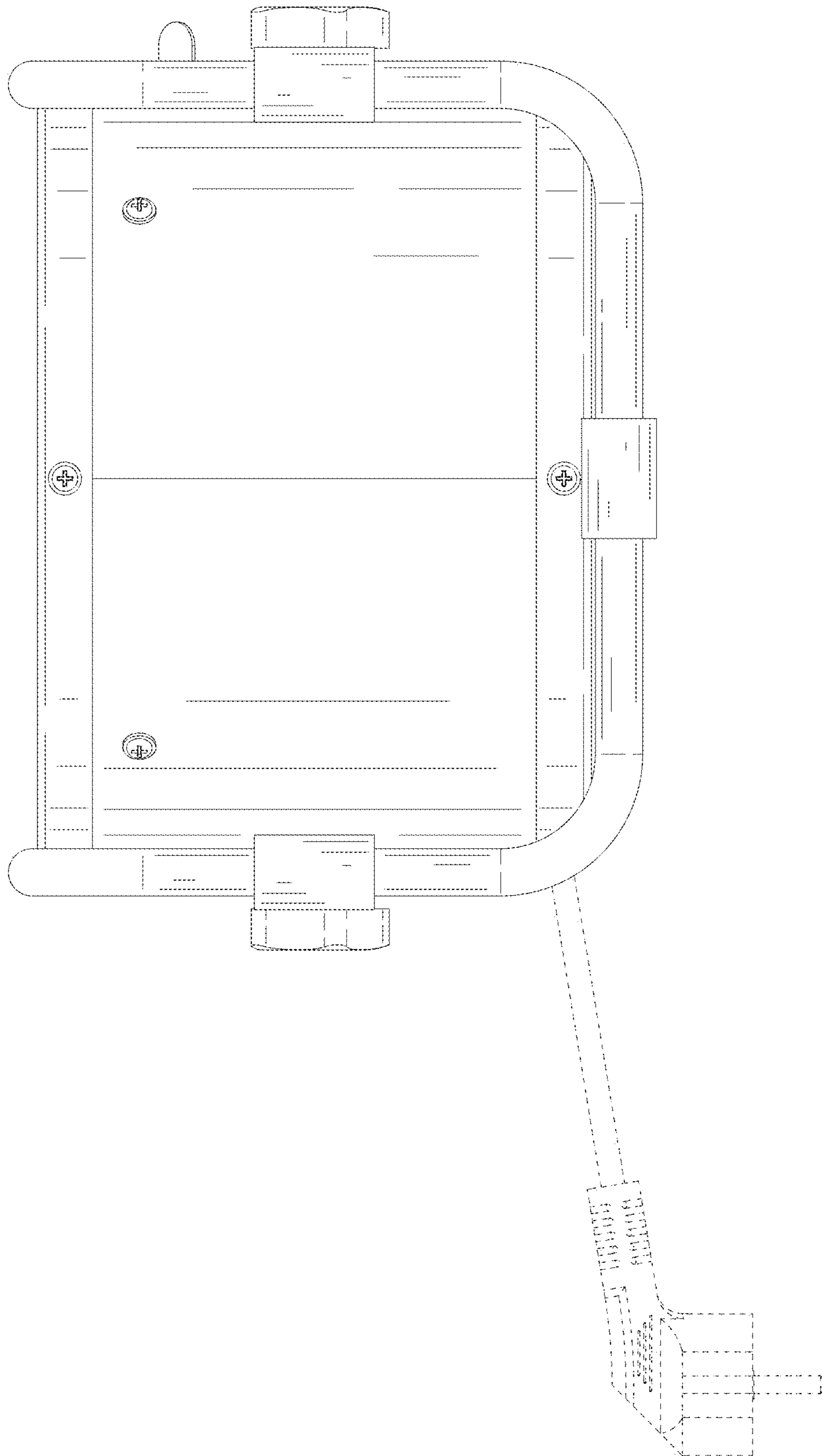


FIG. 8

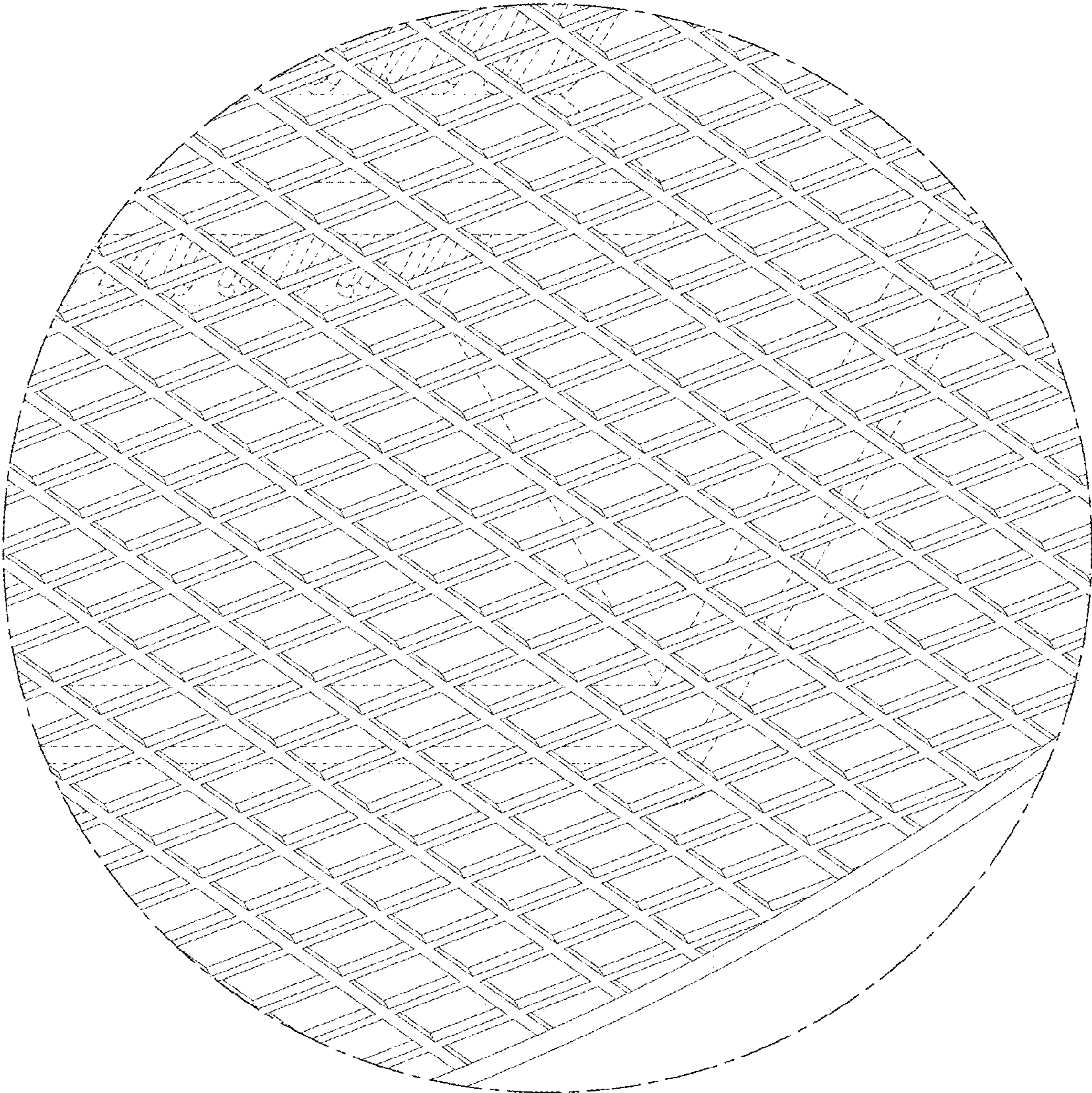


FIG. 9

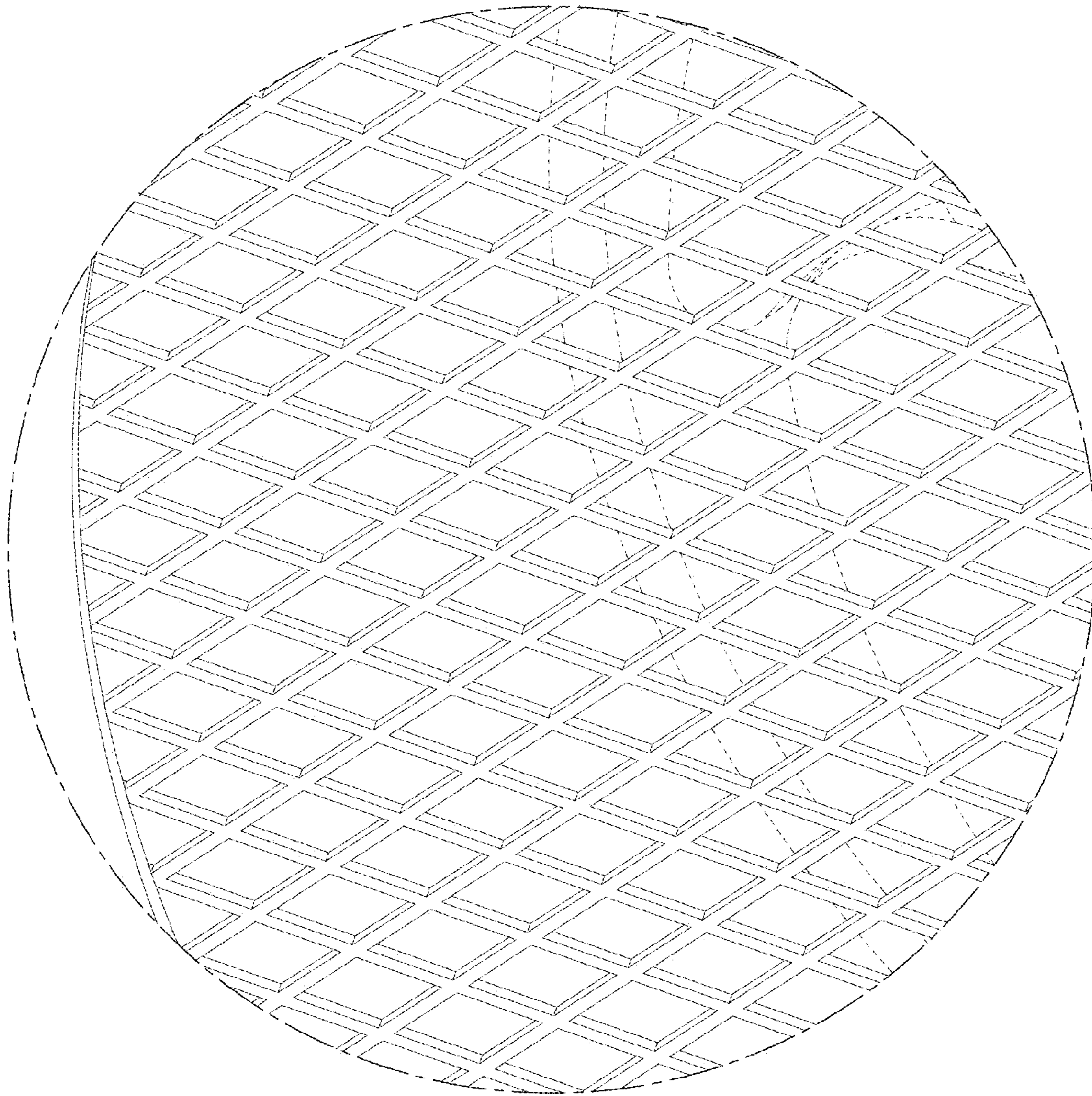


FIG. 10