



US00D973186S

(12) **United States Design Patent** (10) **Patent No.:** **US D973,186 S**
Chen (45) **Date of Patent:** **** Dec. 20, 2022**

(54) **HOSE CONNECTOR**

(71) Applicant: **Ningbo Xuri Xinghua Measurement and Control Equipment Co., Ltd., Zhejiang (CN)**

(72) Inventor: **Minbiao Chen, Zhejiang (CN)**

(**) Term: **15 Years**

(21) Appl. No.: **29/748,259**

(22) Filed: **Aug. 27, 2020**

(51) **LOC (13) Cl.** **23-01**

(52) **U.S. Cl.**
USPC **D23/262**

(58) **Field of Classification Search**

USPC D23/213, 223, 233, 249, 250, 253, 259, D23/260, 262-269, 323, 333; D7/300.1, D7/313, 509, 510, 523; D14/188, 194, D14/195, 204, 221, 228; D26/26, 37, 40, D26/46, 49, 93, 104, 105; D15/7; D24/108, 110.6, 112, 129
CPC F15B 11/064; F15B 11/068; F15B 11/072; F15B 11/0725; F17C 5/06; F16L 1/00; F16L 9/00; F16L 13/00; F16L 13/146; F16L 2101/00; F16L 17/035; Y10S 92/01; Y10S 102/70; A47L 9/02; A47L 9/24; A47L 9/242; A47L 9/244; A47L 9/248; A61M 16/08; A61M 16/0816; A61M 16/0833; A61M 29/00; A61M 39/223; A61J 1/05; A61J 1/1475

See application file for complete search history.

(56) **References Cited**

U.S. PATENT DOCUMENTS

D44,178 S * 6/1913 MoMurtrie D23/262
D133,795 S * 9/1942 Erhard D24/112

D218,921 S * 10/1970 Lecocq D24/110.6
D435,652 S * 12/2000 Nazarifar D23/262
D503,216 S * 3/2005 Berkman D23/249
D534,796 S * 1/2007 Falkenburg D23/262
D669,558 S * 10/2012 Collin D23/262
D717,406 S * 11/2014 Stanley D23/259
D836,753 S * 12/2018 Nikles D23/213

* cited by examiner

Primary Examiner — Angela J Lee

Assistant Examiner — David Obrien

(74) *Attorney, Agent, or Firm* — Rumit Ranjit Kanakia

(57) **CLAIM**

The ornamental design for a hose connector, as shown and described.

DESCRIPTION

FIG. 1 is a front perspective view of a hose connector, showing my design.

FIG. 2 is a front elevation view thereof.

FIG. 3 is a rear elevation view thereof.

FIG. 4 is a left side elevation view thereof.

FIG. 5 is a right side elevation view thereof.

FIG. 6 is a top plan view thereof.

FIG. 7 is a bottom plan view thereof.

FIG. 8 is another perspective view of the hose connector with a hose.

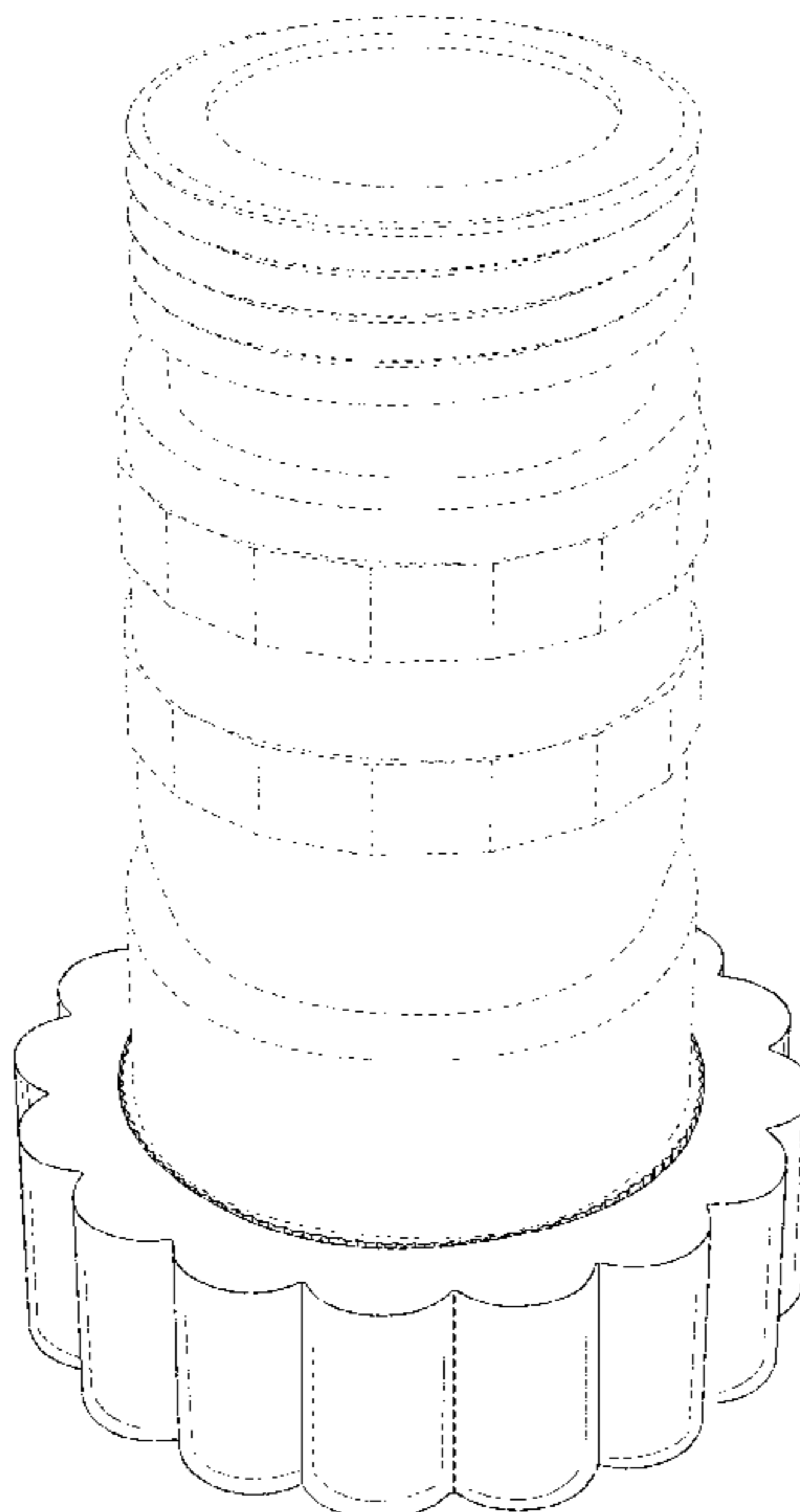
FIG. 9 is another perspective view of the hose connector with a hose.

FIG. 10 is another perspective view of the hose connector with a hose; and,

FIG. 11 is another perspective view of the hose connector with a hose.

The broken lines in the drawings depict environmental structure and boundaries and form no part of the claimed design.

1 Claim, 11 Drawing Sheets



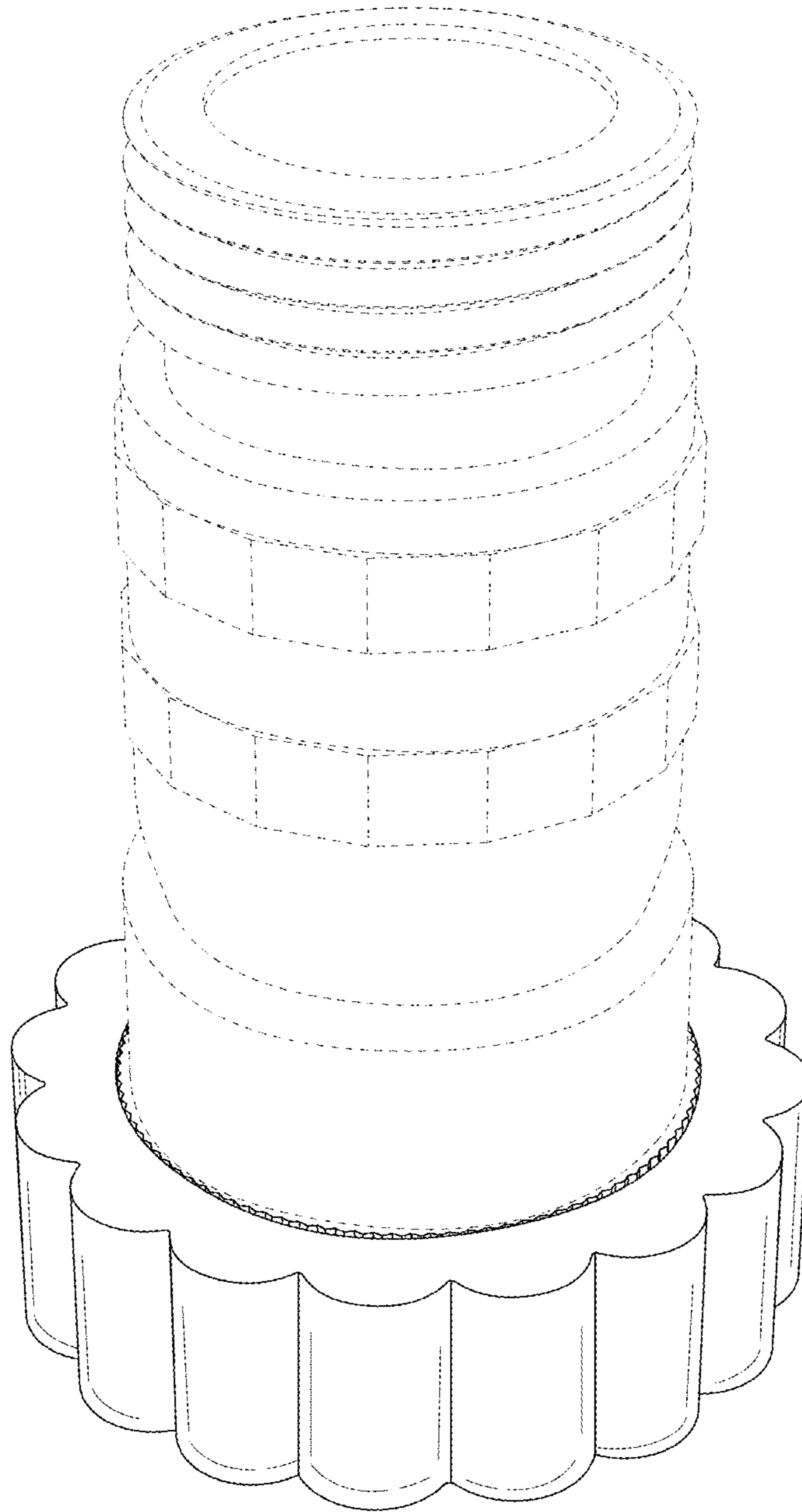


FIG.1

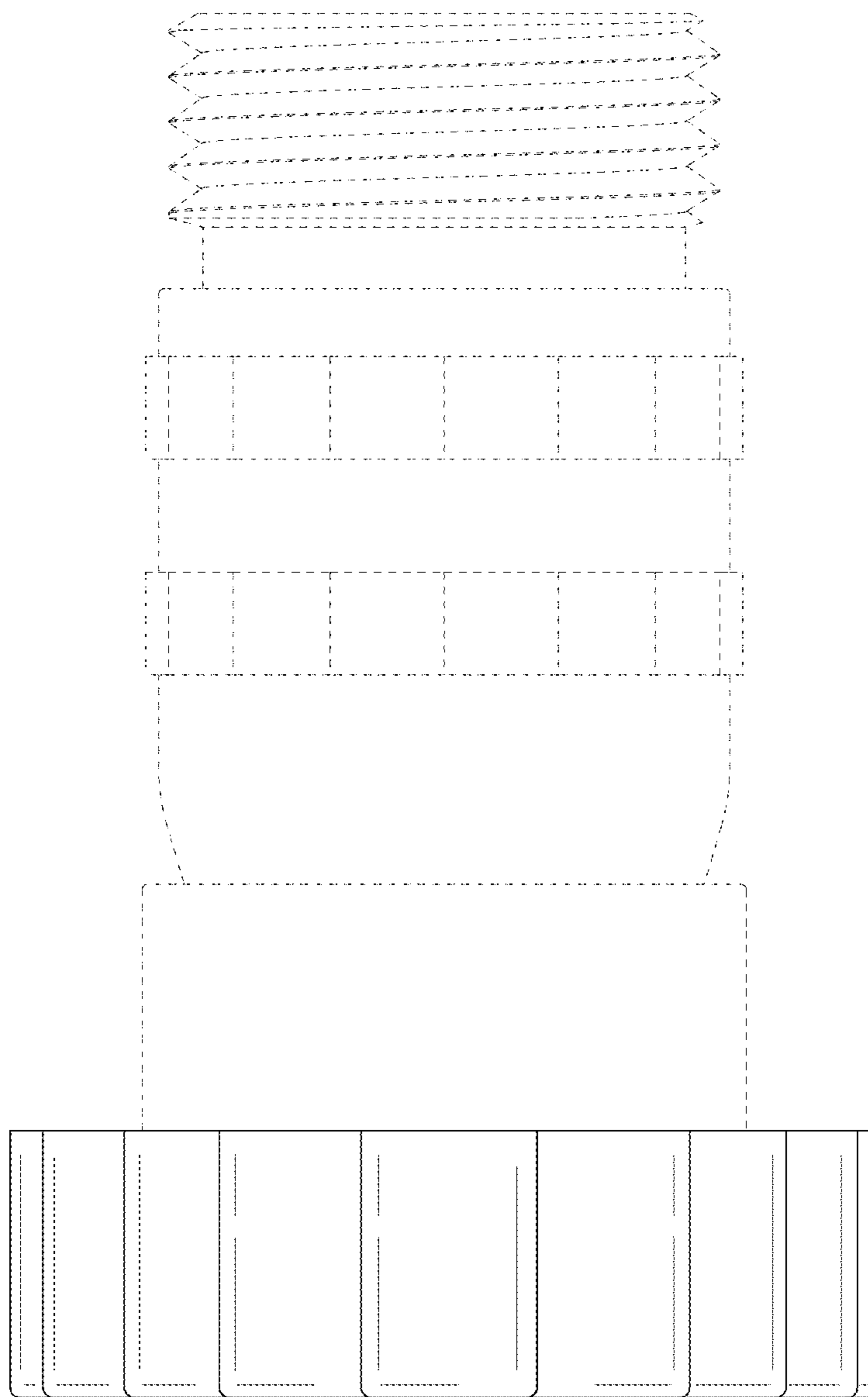


FIG.2

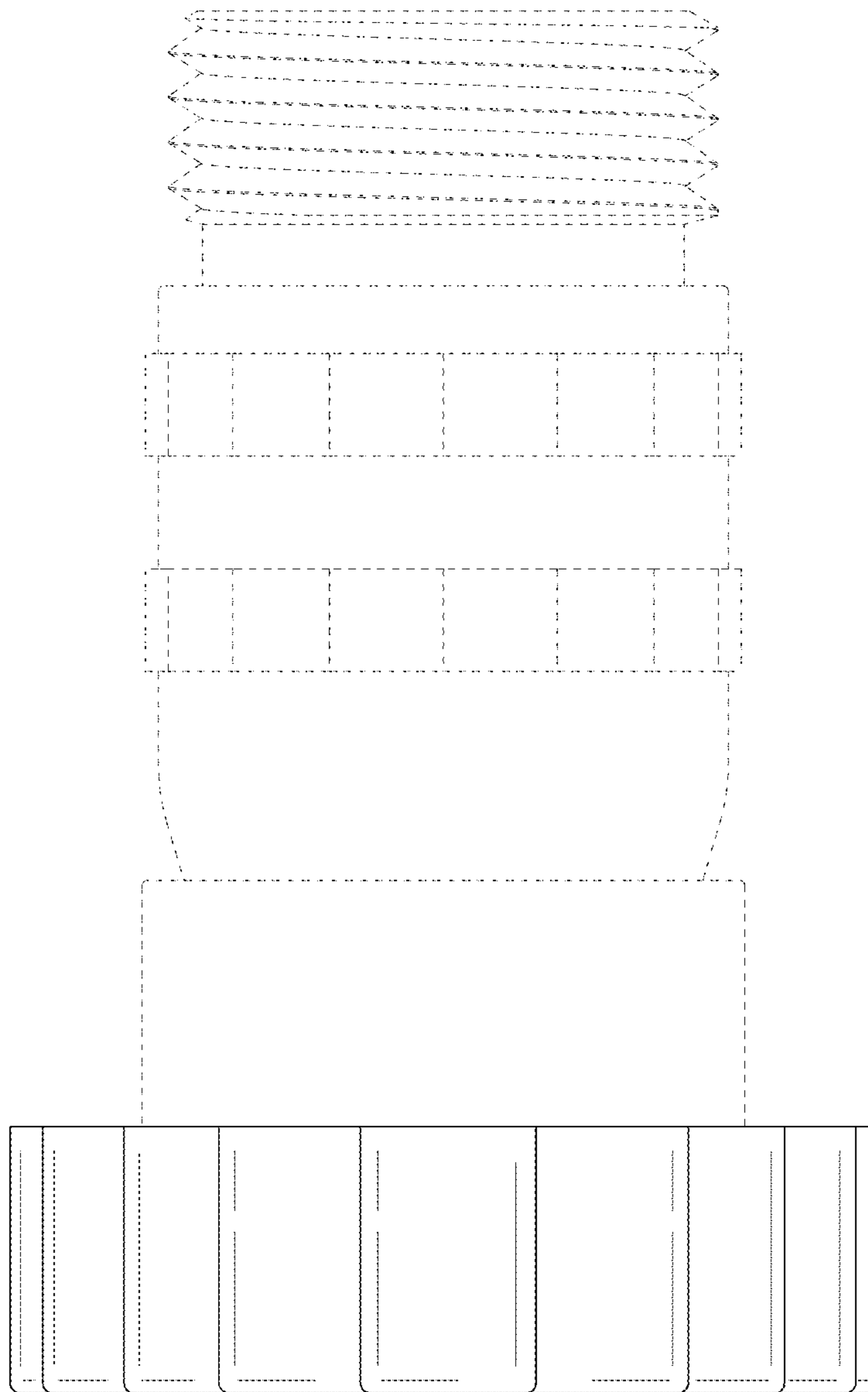


FIG.3

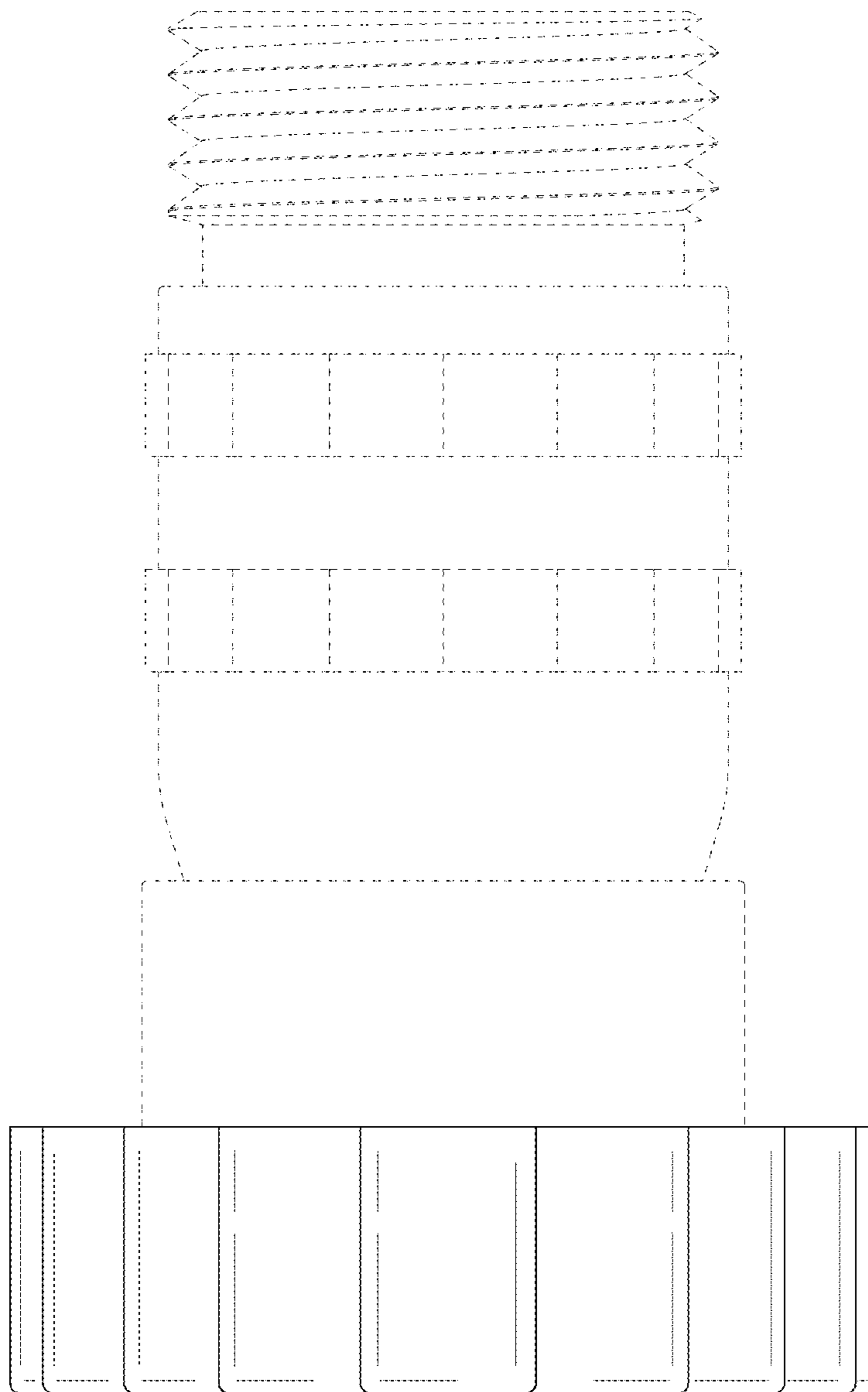


FIG.4

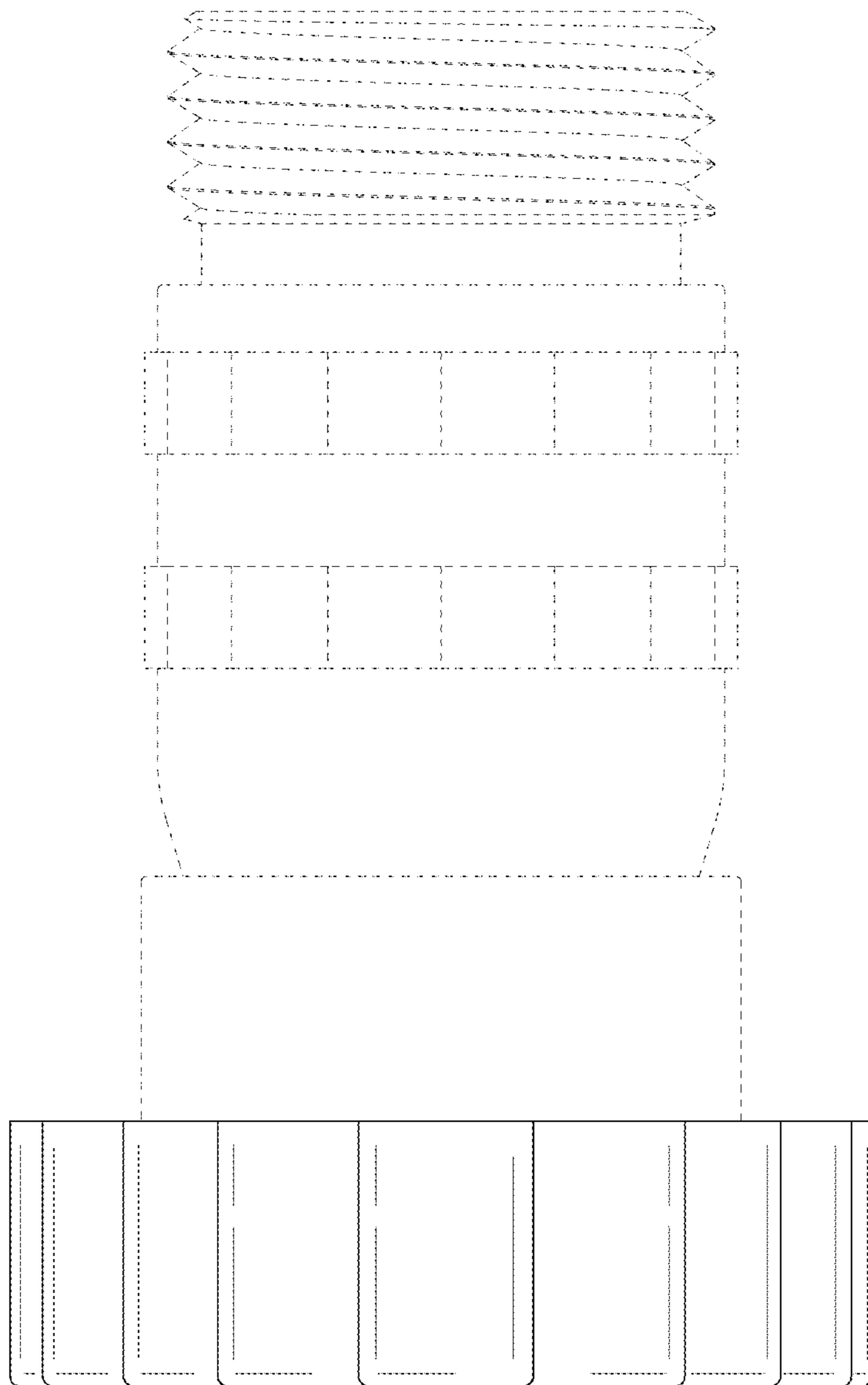


FIG.5

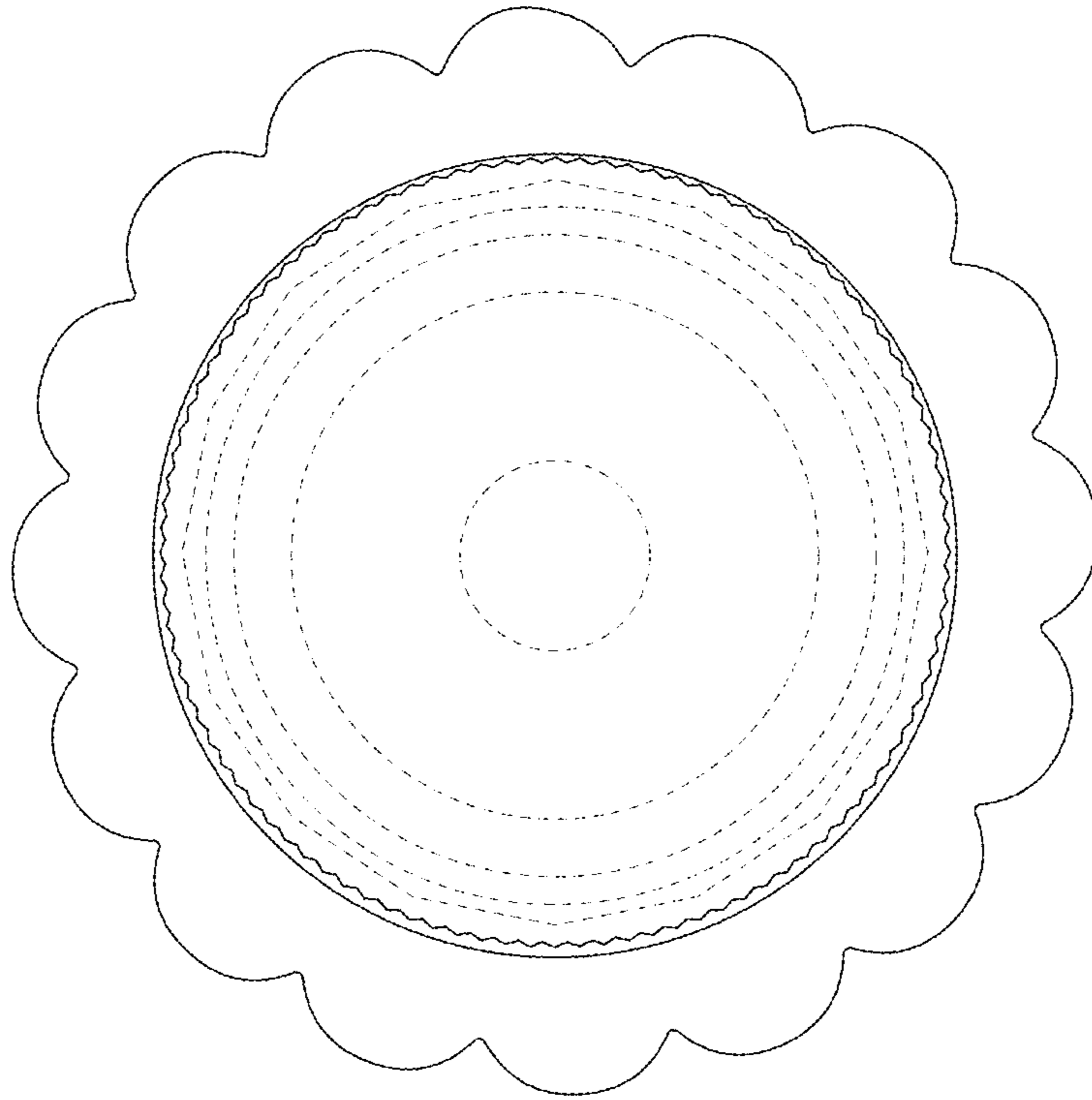


FIG.6

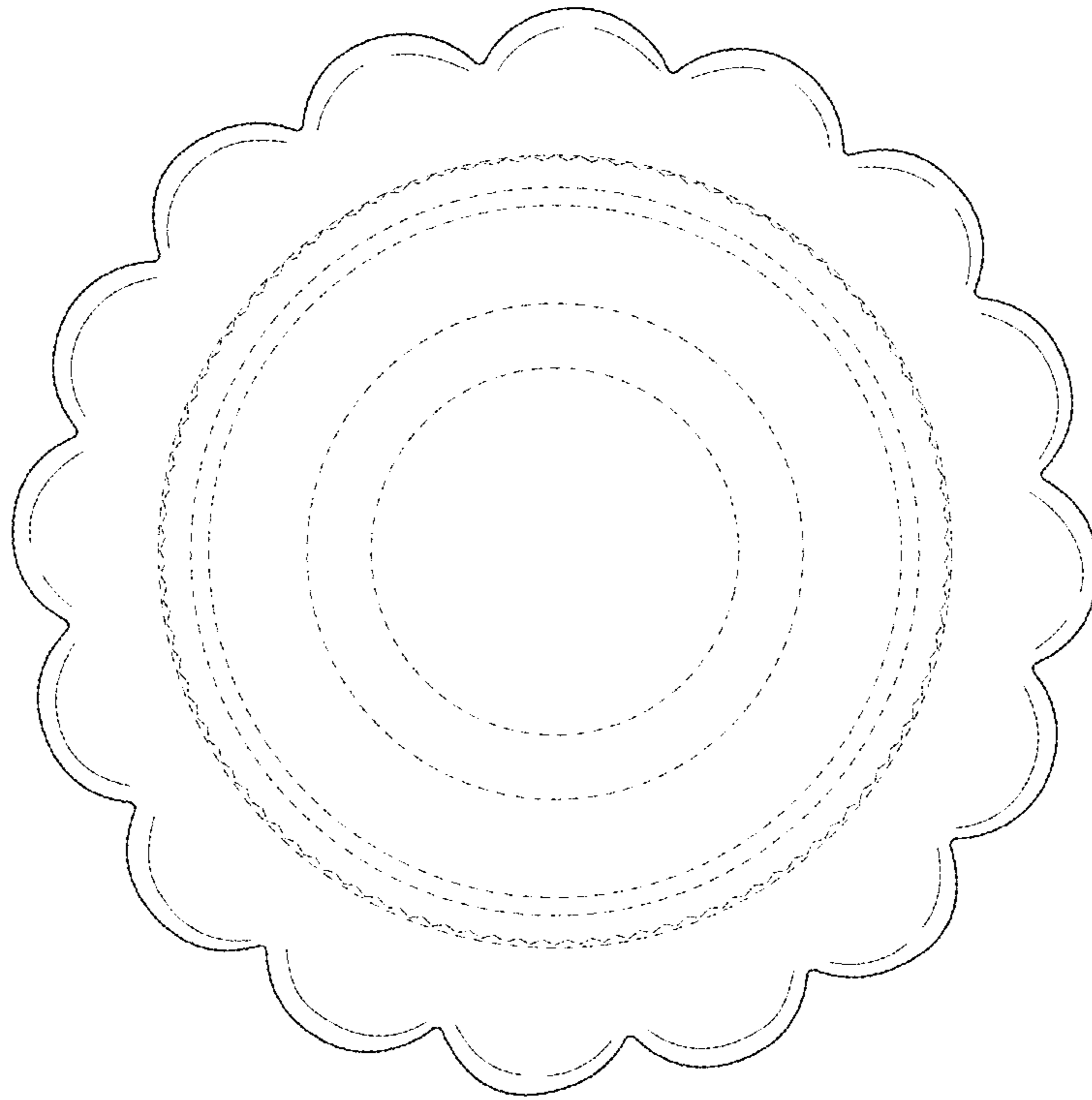


FIG.7

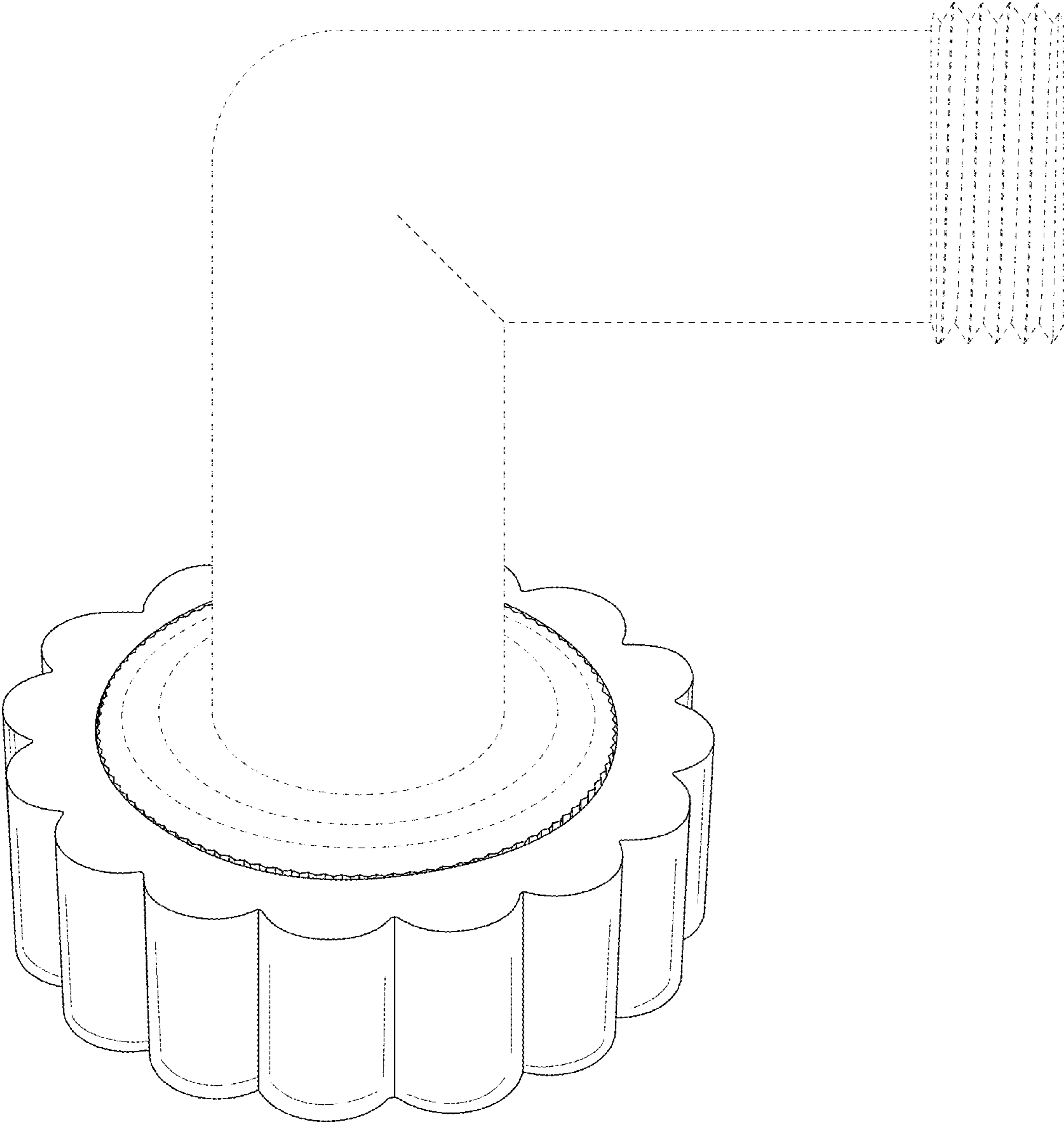


FIG.8

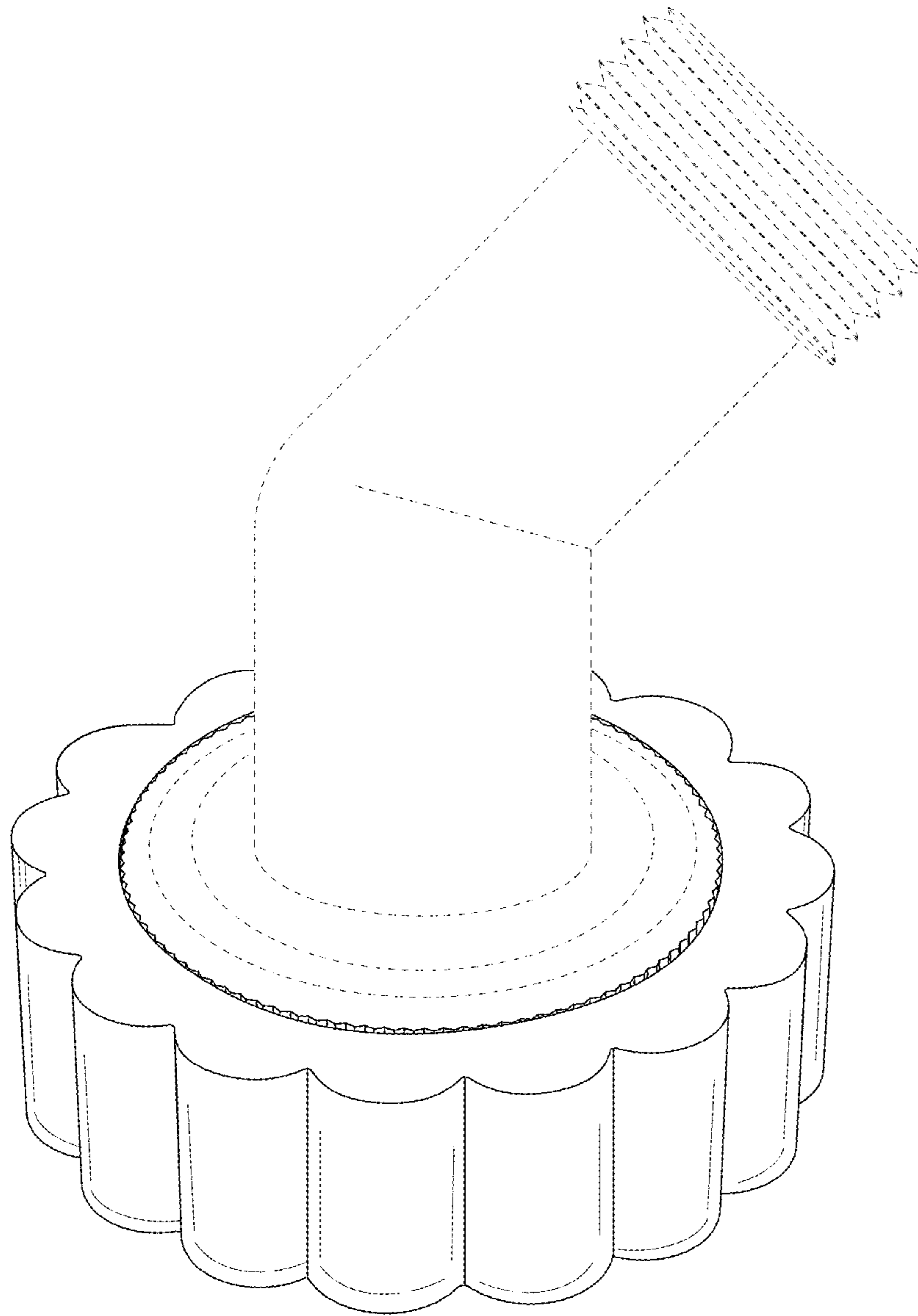


FIG.9

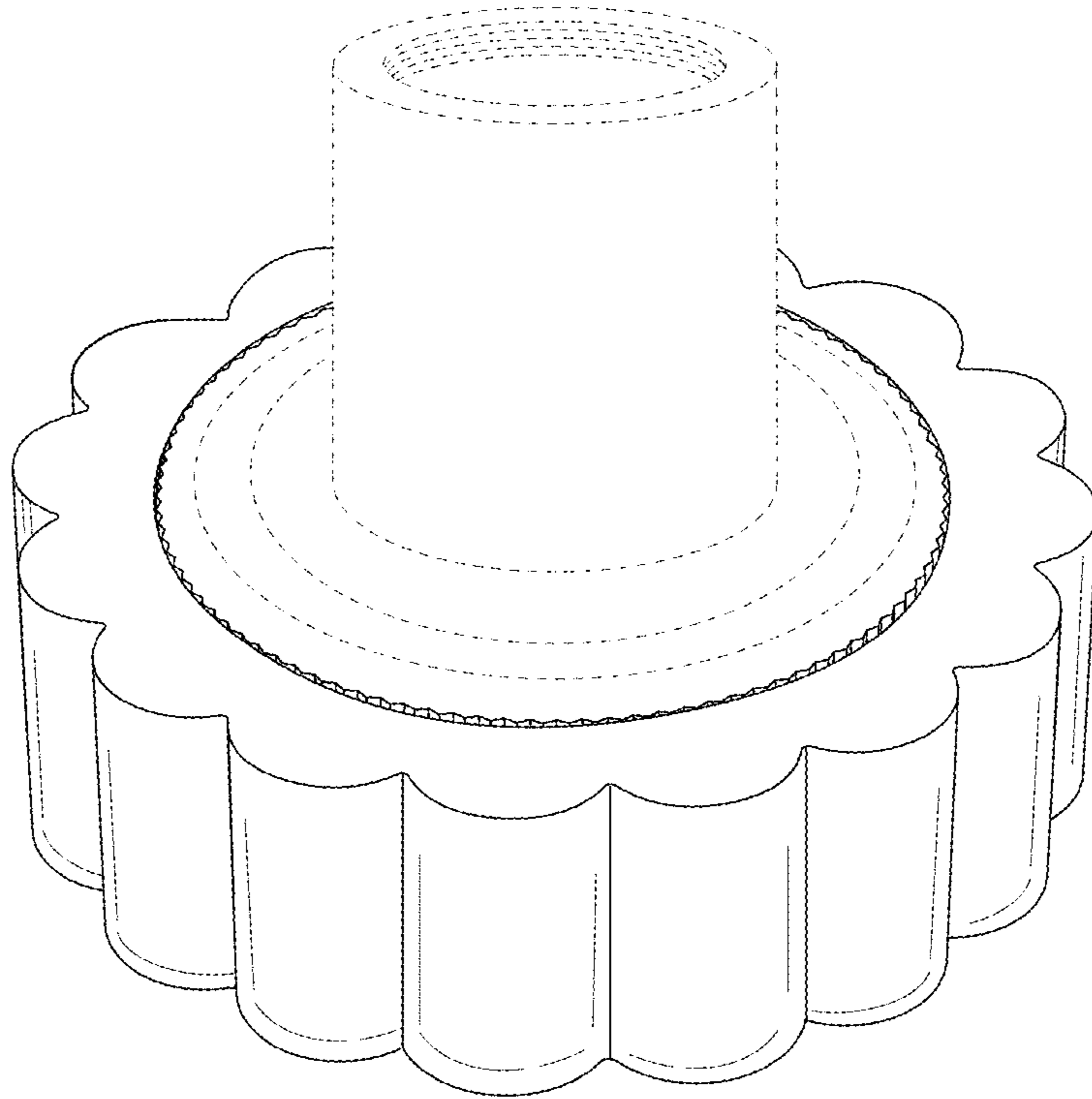


FIG.10

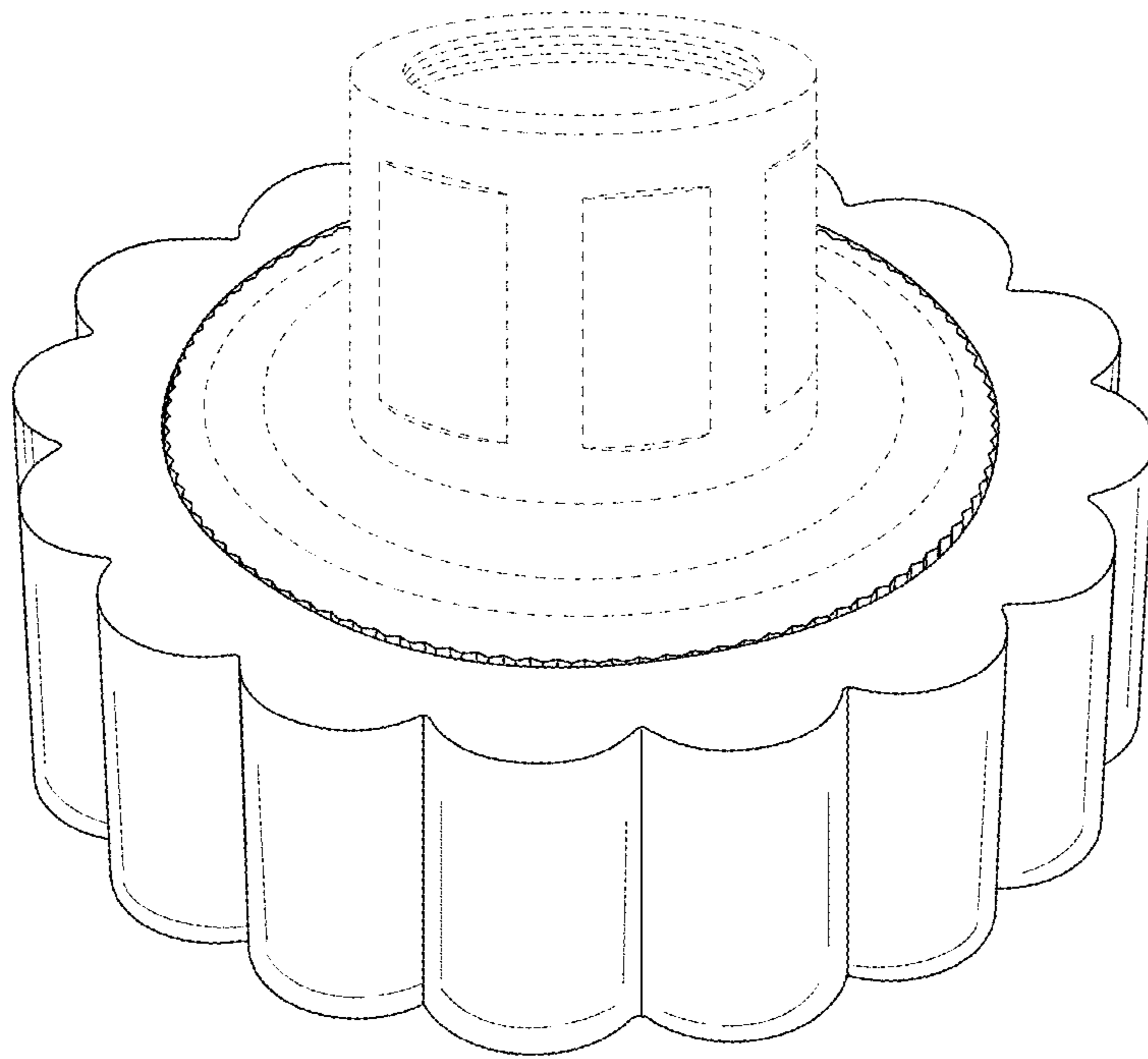


FIG.11