



US00D973183S

(12) **United States Design Patent**
Ng et al.

(10) **Patent No.:** **US D973,183 S**

(45) **Date of Patent:** **** Dec. 20, 2022**

(54) **LAVATORY SET**

(71) Applicants: **Ed Hong Chung Ng**, Hong Kong (CN); **Terence Tim Hok Ngan**, Hong Kong (CN)

(72) Inventors: **Ed Hong Chung Ng**, Hong Kong (CN); **Terence Tim Hok Ngan**, Hong Kong (CN)

(**) Term: **15 Years**

(21) Appl. No.: **29/753,964**

(22) Filed: **Oct. 5, 2020**

(51) **LOC (13) Cl.** **23-01**

(52) **U.S. Cl.**
USPC **D23/242**

(58) **Field of Classification Search**
USPC D23/238–243, 249–250, 252, 254–255, D23/257; D8/307–308

See application file for complete search history.

(56) **References Cited**

U.S. PATENT DOCUMENTS

D320,259 S	9/1991	Delepine	
D534,619 S	1/2007	Garner	
D592,733 S *	5/2009	Lammel	D23/255
D603,019 S	10/2009	Flowers et al.	
D634,405 S	3/2011	Shieh	
D635,648 S	4/2011	Schoenherr et al.	
D639,394 S	6/2011	Citterio	

D643,095 S *	8/2011	Matsuura	D23/242
D646,361 S	10/2011	Flowers et al.	
D674,051 S	1/2013	Uhl	
D713,016 S	9/2014	Citterio	
D754,300 S	4/2016	Lord	
D755,933 S	5/2016	Lord	
D758,545 S	6/2016	Yabu et al.	
D761,387 S	7/2016	Yabu et al.	
D818,087 S	5/2018	Seum et al.	
D862,655 S	10/2019	Garland	
D883,441 S	5/2020	Carr	
D915,554 S *	4/2021	Gessi	D23/238
D934,390 S *	10/2021	Levi	D23/242
D940,830 S *	1/2022	Kliewer	D23/242

* cited by examiner

Primary Examiner — Robert A Delehanty

(74) *Attorney, Agent, or Firm* — Malloy & Malloy, P.L.

(57) **CLAIM**

The ornamental design for a lavatory set, as shown and described.

DESCRIPTION

FIG. 1 is the front perspective view illustrating my design for a lavatory set;

FIG. 2 is a rear perspective view thereof;

FIG. 3 is a front view thereof;

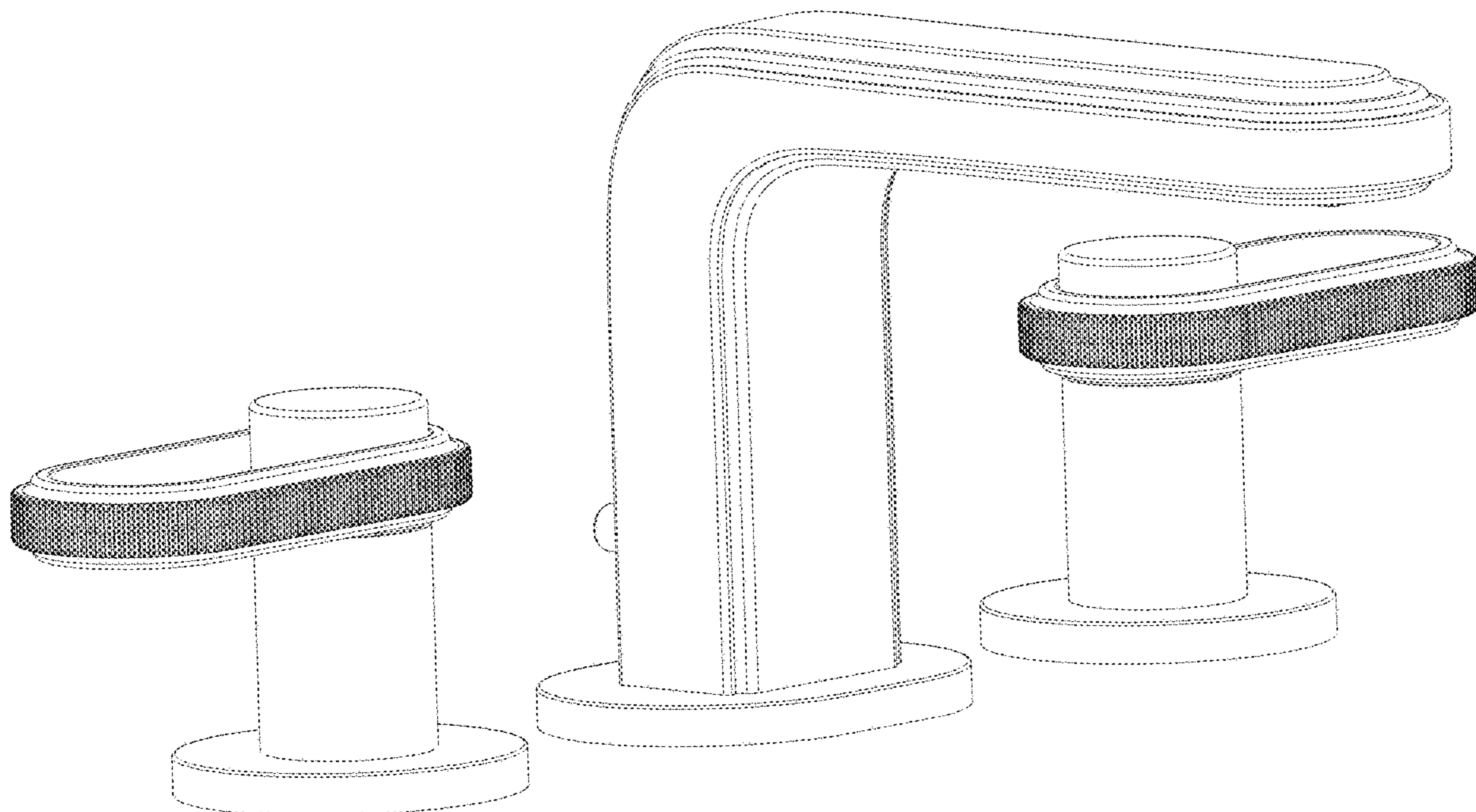
FIG. 4 is a right-side view thereof;

FIG. 5 is a top view thereof;

FIG. 6 is a left side view thereof; and,

FIG. 7 is a rear view thereof.

1 Claim, 7 Drawing Sheets



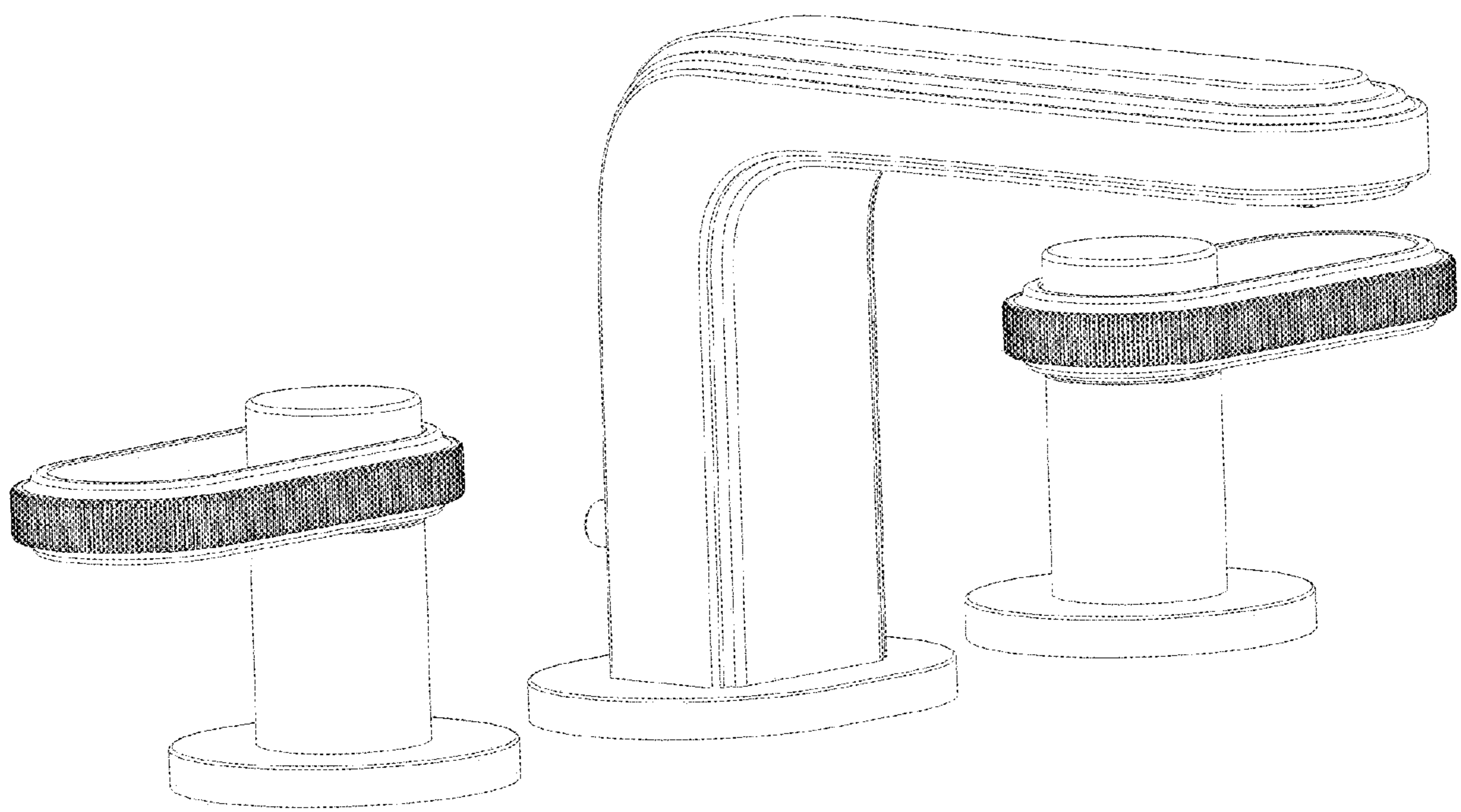


FIG. 1

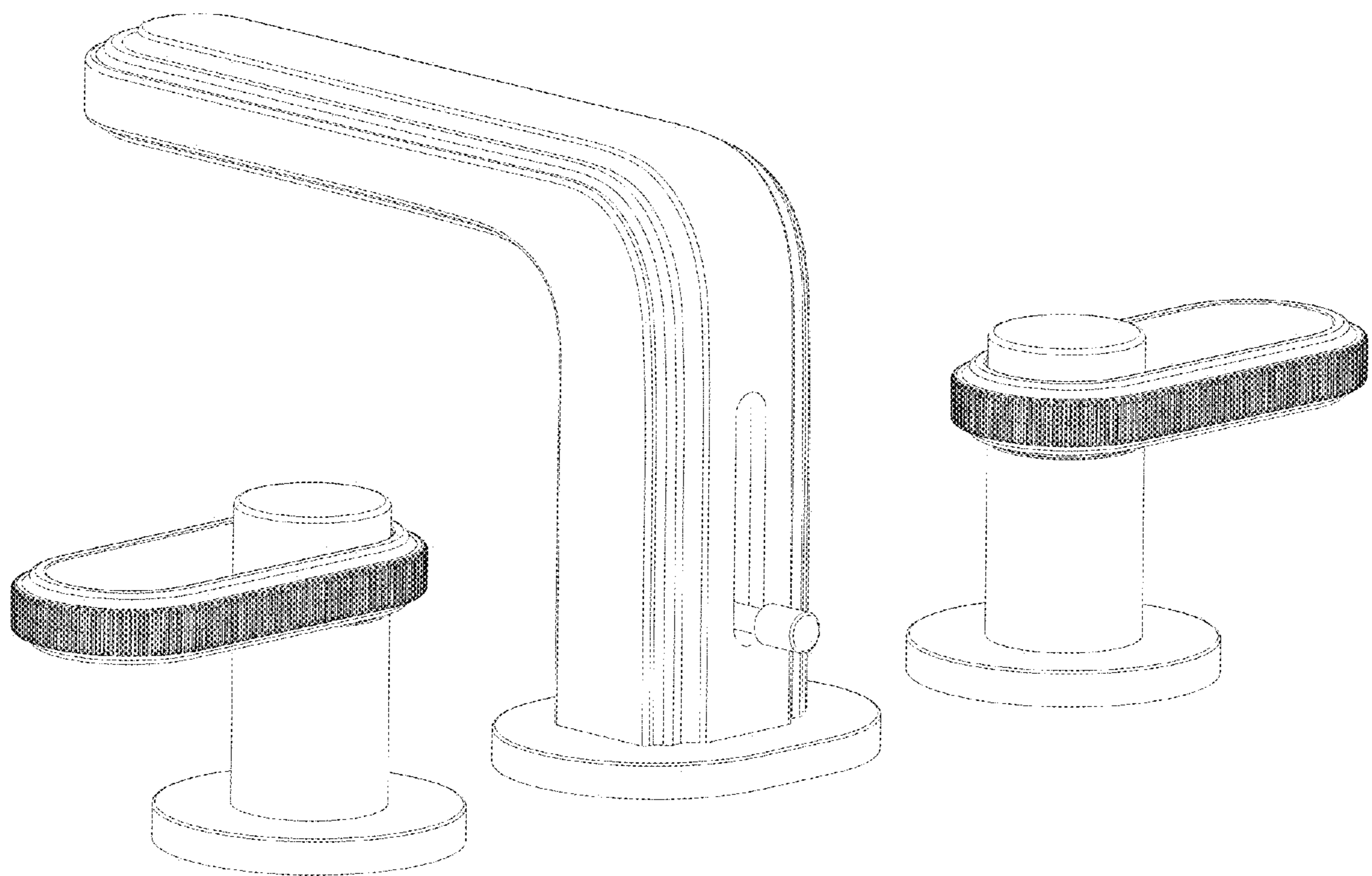


FIG. 2

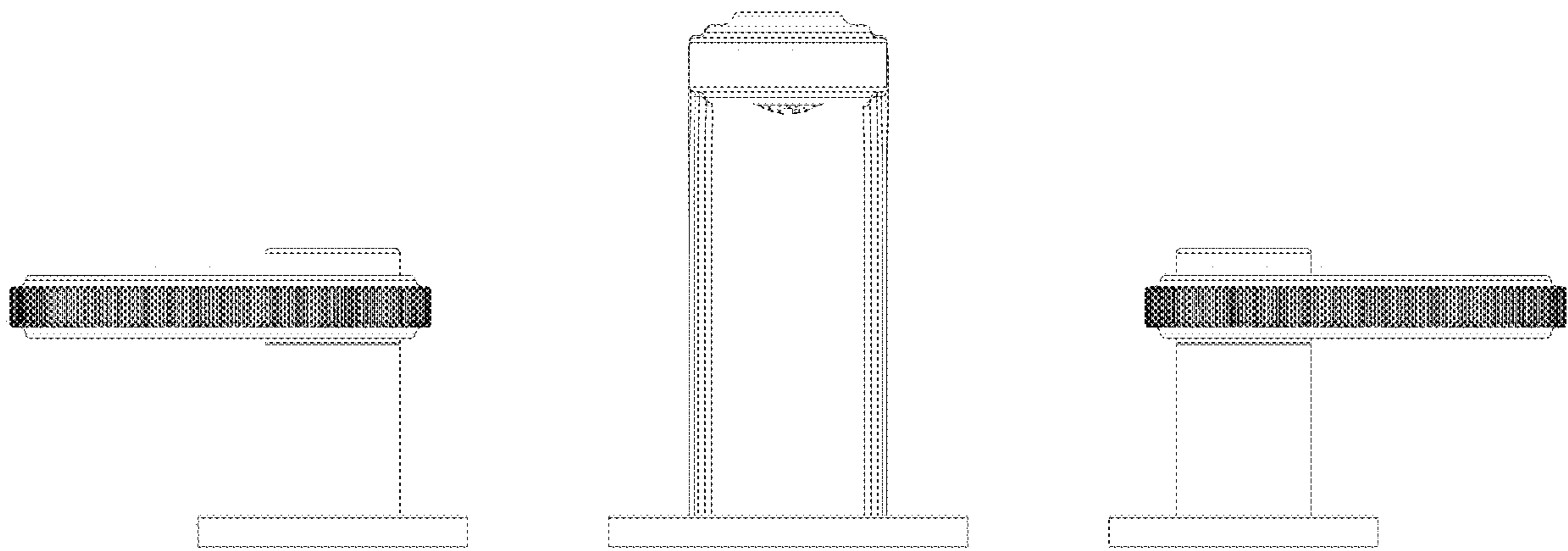


FIG. 3

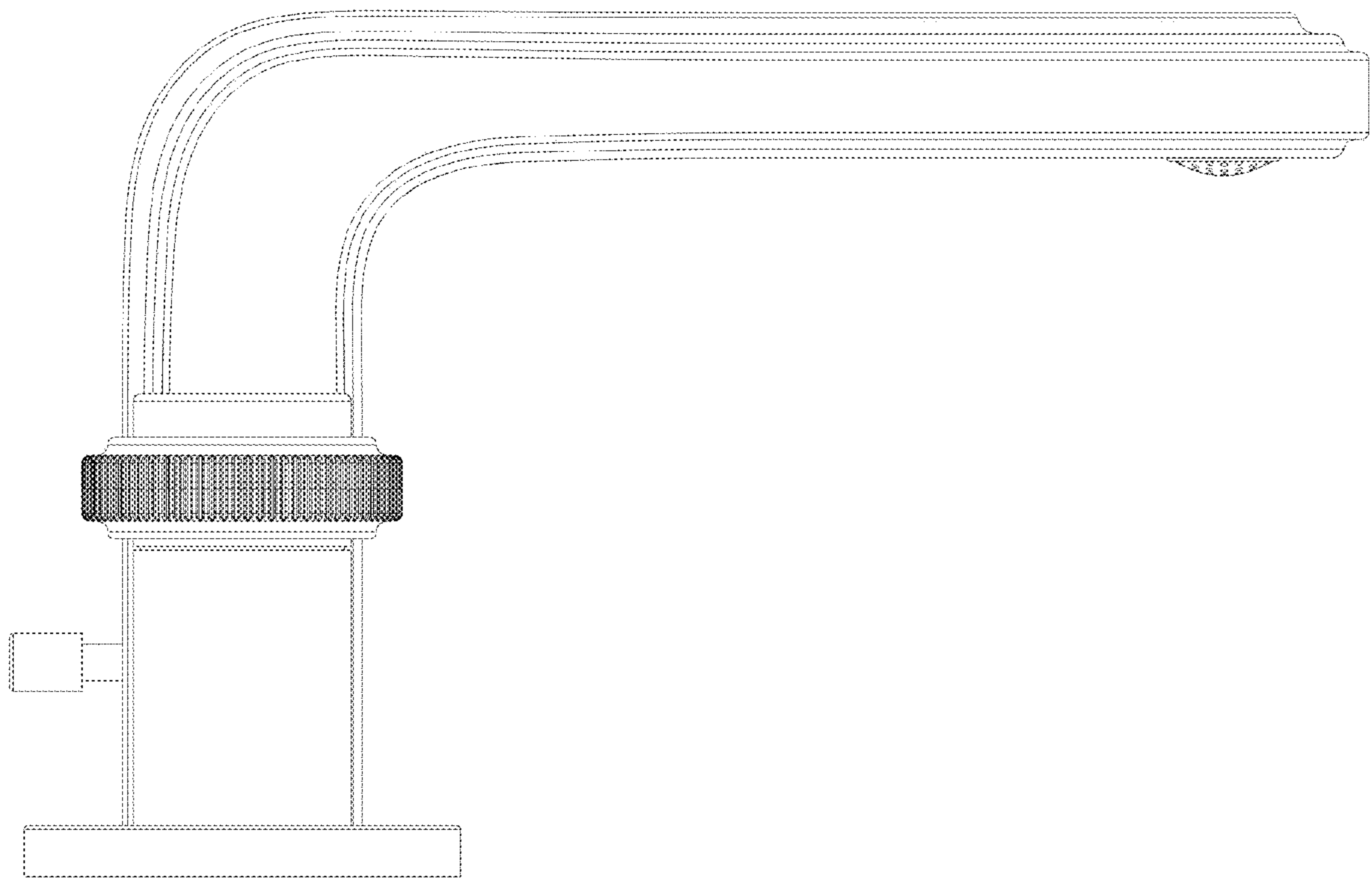


FIG. 4

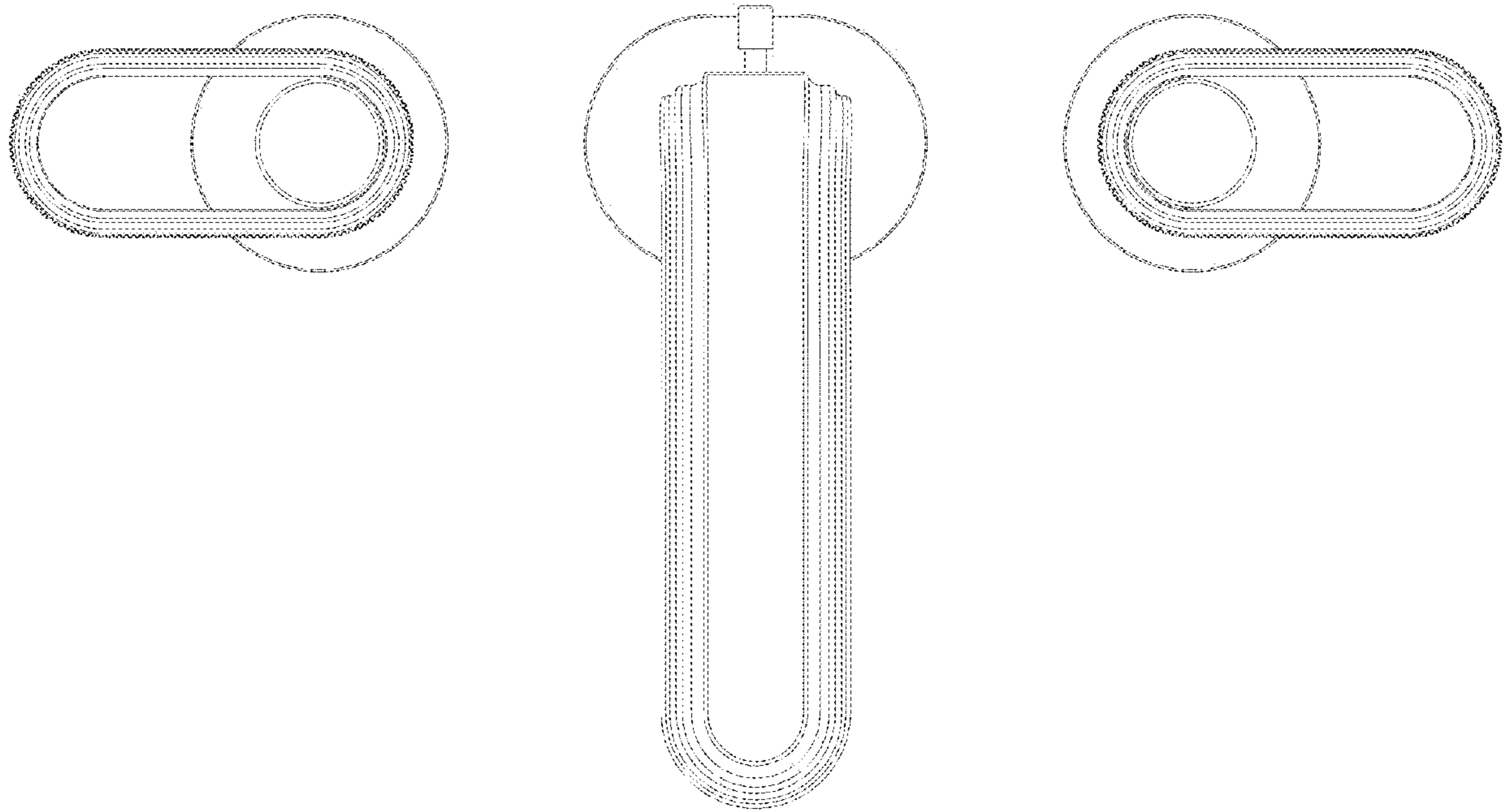


FIG. 5

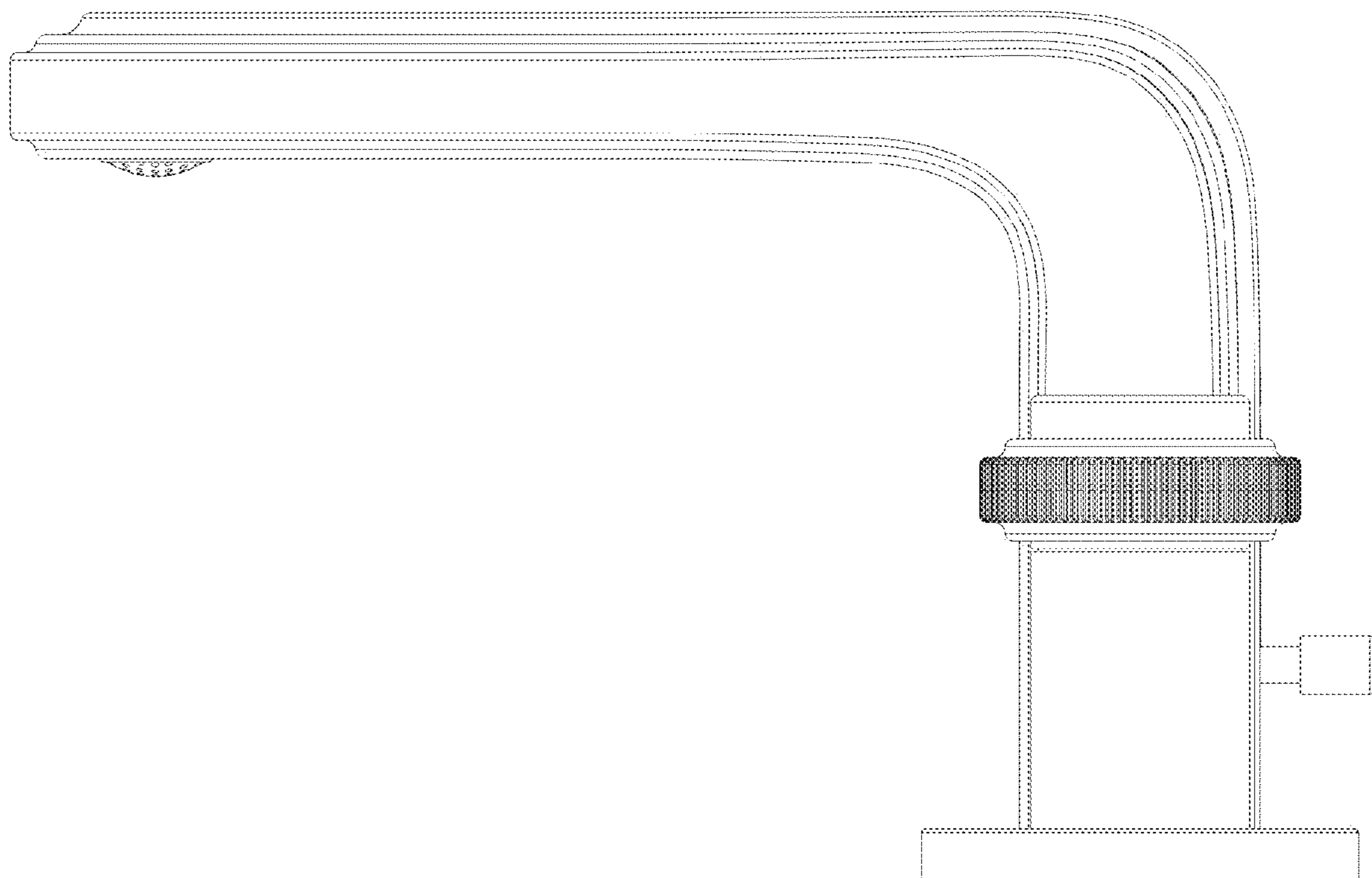


FIG. 6

