



US00D973182S

(12) **United States Design Patent** (10) **Patent No.:** **US D973,182 S**
Han et al. (45) **Date of Patent:** **** Dec. 20, 2022**

(54) **FAUCET**

D757,223 S * 5/2016 Schoenherr D23/238
D762,820 S * 8/2016 Schoenherr D23/238
D779,044 S * 2/2017 Flowers D23/238

(Continued)

(71) Applicant: **Grohe AG**, Hemer (DE)

(72) Inventors: **Jung-Beom Han**, Duesseldorf (DE);
Patrick de Arins Speck, London (GB)

FOREIGN PATENT DOCUMENTS

(73) Assignee: **Grohe AG**, Hemer (DE)

CN 201330053280 * 3/2013
CN 112413223 A * 2/2021 C02F 1/32

(Continued)

(**) Term: **15 Years**

OTHER PUBLICATIONS

(21) Appl. No.: **29/757,883**

Amazon, Bristan Orta Chromed Bathroom Basin Sink Monobloc Single Hole Mixer Tap, posted Jan. 1, 2009, [online], [visited Jun. 10, 2022]. Internet, <URL: <https://www.amazon.co.uk/Bristan-BAS-Basin-Mixer-Clicker/dp/B008KMFUKA/ref>> (Year: 2009).*

(Continued)

(22) Filed: **Nov. 10, 2020**

(30) **Foreign Application Priority Data**

May 11, 2020 (EM) 007880760-0002

(51) **LOC (13) Cl.** **23-02**

(52) **U.S. Cl.**

USPC **D23/238**

(58) **Field of Classification Search**

USPC D23/238, 239, 240, 241, 242, 243, 246,
D23/247, 249, 250, 251, 252, 253, 254,
D23/255, 256, 257

CPC E03C 1/01; E03C 1/0409; E03C 1/025;
E03C 1/0408; E03C 1/04; E03C 1/0401;
E03C 1/0402; E03C 1/0405; E03C
1/0412; Y10T 137/5339; Y10T 137/6014;
Y10T 137/6021

See application file for complete search history.

(56) **References Cited**

U.S. PATENT DOCUMENTS

D580,528 S * 11/2008 Urquiola D23/255
D585,524 S * 1/2009 Schoenherr D23/238
D644,718 S * 9/2011 Flowers D23/238
D667,533 S * 9/2012 Lammel D23/238
D693,438 S * 11/2013 Flowers D23/238

Primary Examiner — Samantha Wood

(74) *Attorney, Agent, or Firm* — Muncy, Geissler, Olds & Lowe, P.C.

(57)

CLAIM

The ornamental design for a faucet, as shown and described.

DESCRIPTION

FIG. 1 is a front perspective view of a faucet according to the present invention.

FIG. 2 is a front view of the faucet of FIG. 1.

FIG. 3 is a rear view of the faucet of FIG. 1.

FIG. 4 is a left side view of the faucet of FIG. 1.

FIG. 5 is a right side view of the faucet of FIG. 1.

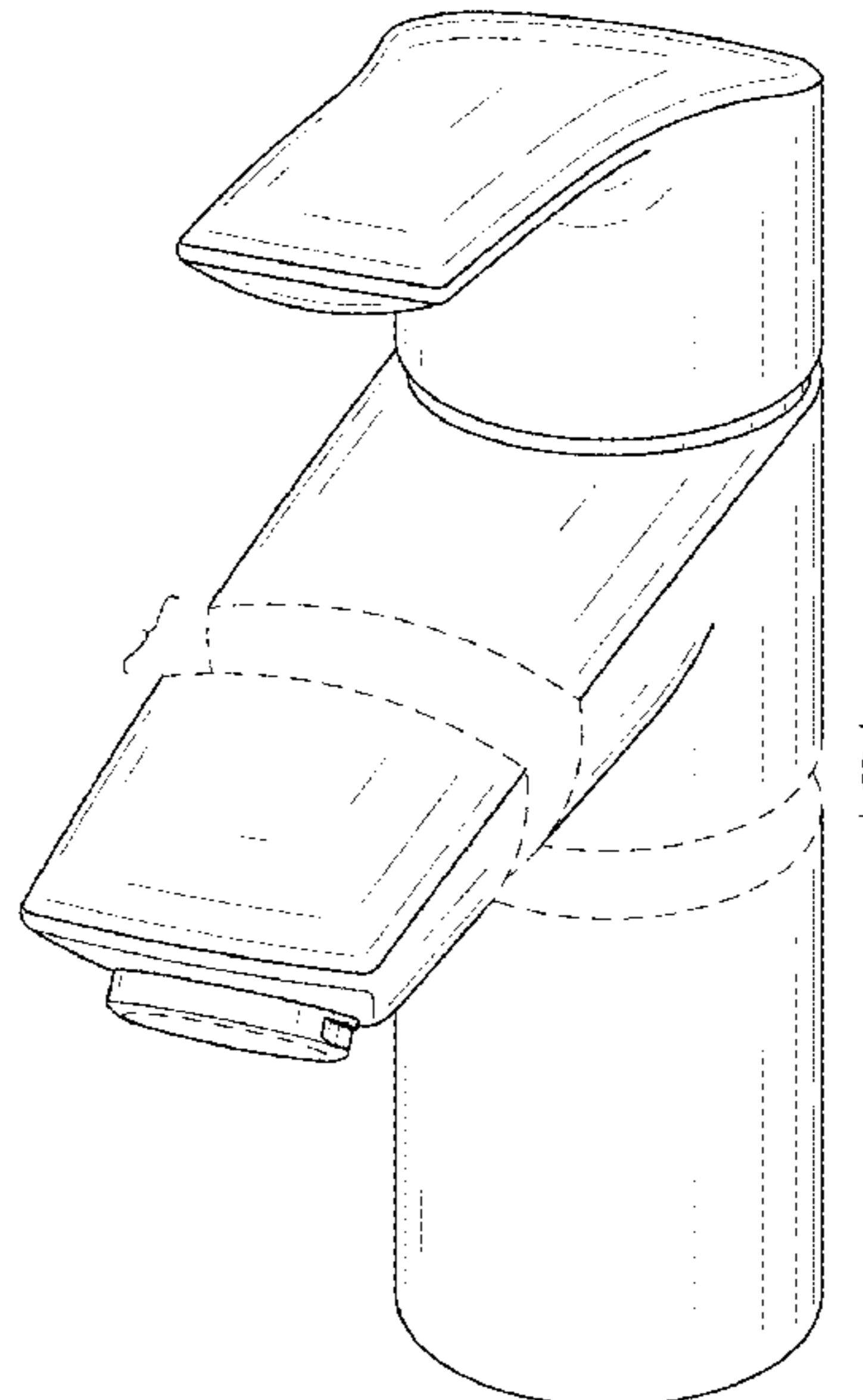
FIG. 6 is a top view of the faucet of FIG. 1; and,

FIG. 7 is a bottom view of the faucet of FIG. 1.

The dashed lines illustrate environment that does not form a part of the present invention, and no claim is made to the material illustrated with dashed lines.

The faucet is shown with a symbolic break in its length. The appearance of any portion of the article between the break lines forms no part of the claimed design.

1 Claim, 7 Drawing Sheets



(56)

References Cited

U.S. PATENT DOCUMENTS

D828,509 S	*	9/2018	Seum	D23/238
D828,512 S	*	9/2018	Liu	D23/238
D855,770 S	*	8/2019	Eads	D23/238
D857,168 S	*	8/2019	Soulier	D23/238
D915,555 S	*	4/2021	Lin	D23/242
D947,997 S	*	4/2022	Goetzen	D23/238

FOREIGN PATENT DOCUMENTS

DE	102018118334	A1	*	1/2020
IN	258083		*	11/2013

OTHER PUBLICATIONS

Amazon, Bristan CAP EBAS C Capri Basin Mixer, posted Nov. 26, 2009, [online], [visited Jun. 10, 2022]. Internet, <URL: <https://www.amazon.co.uk/dp/B007ER3WB6/ref>> (Year: 2009).*

* cited by examiner

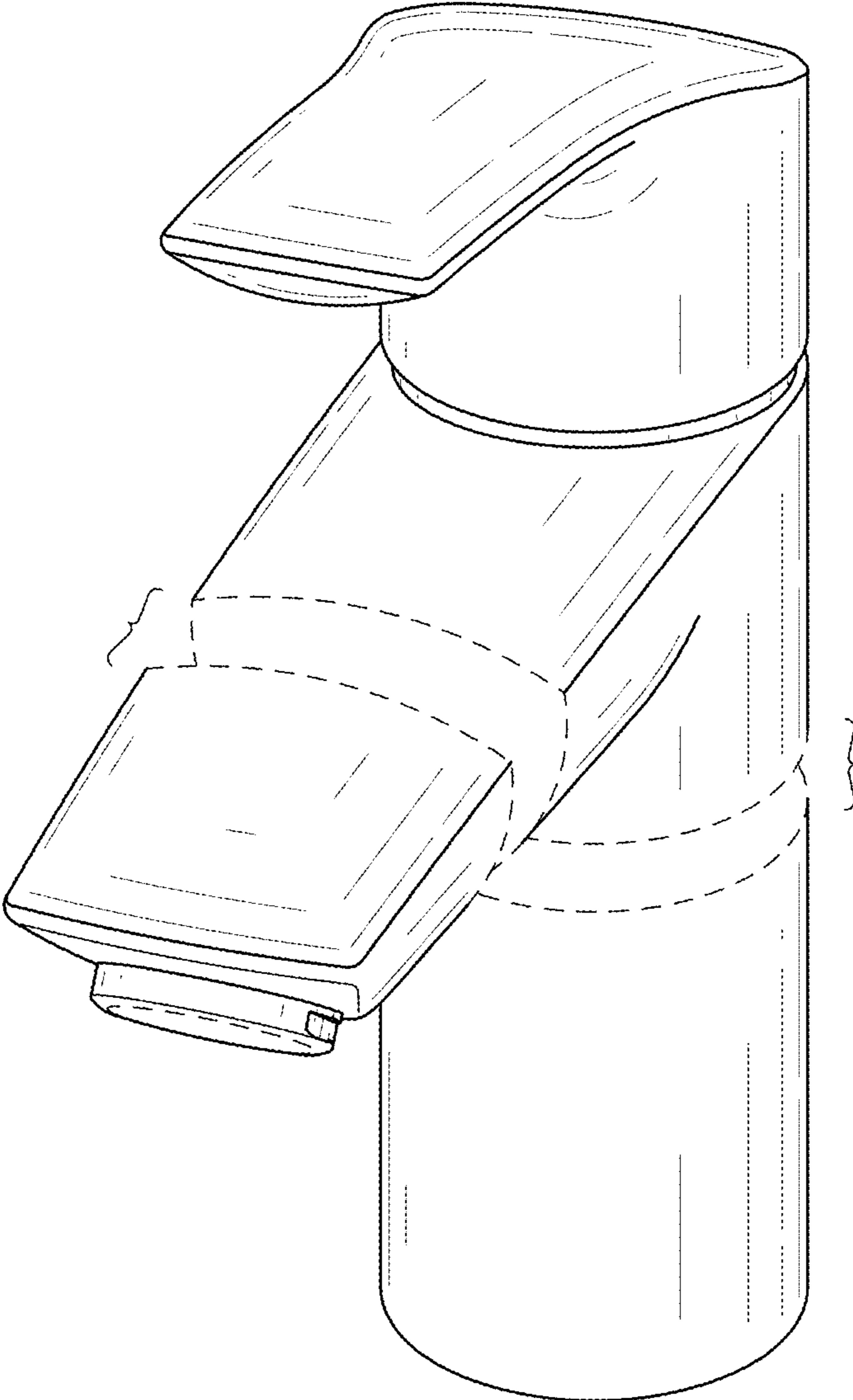


FIG.1

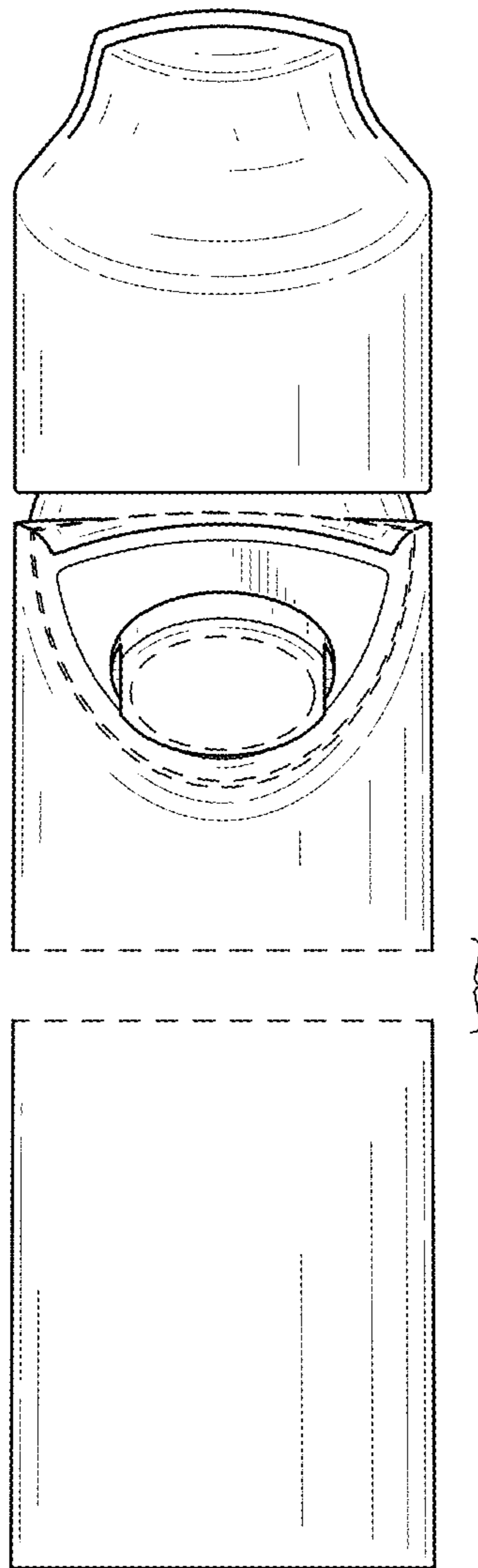


FIG.2

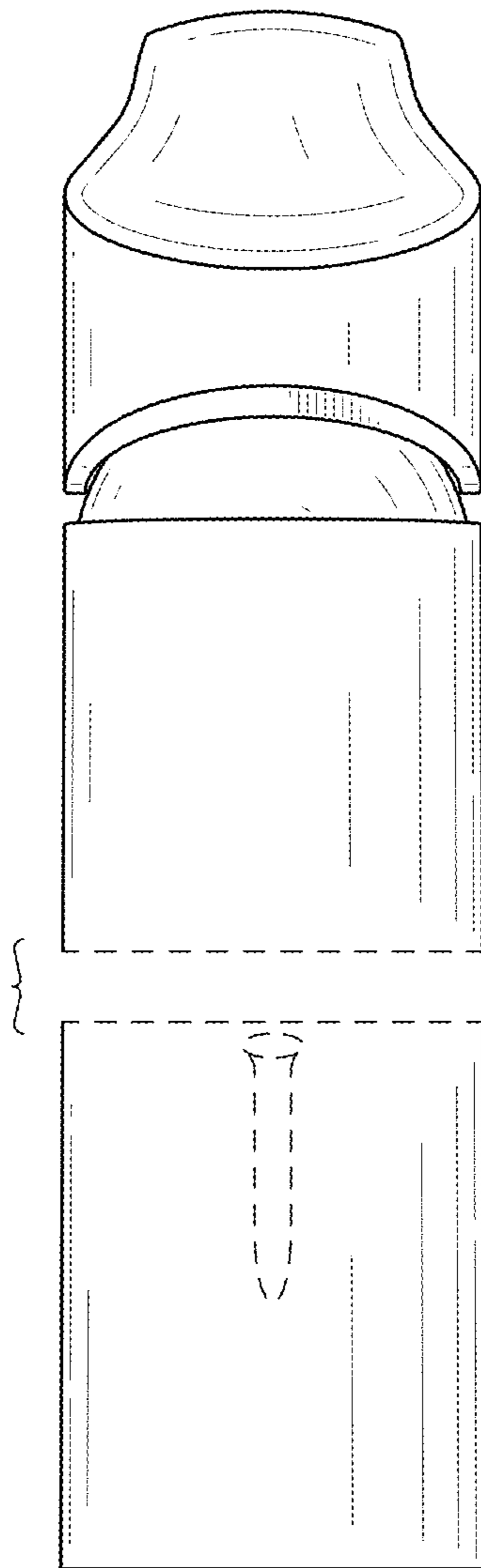


FIG.3

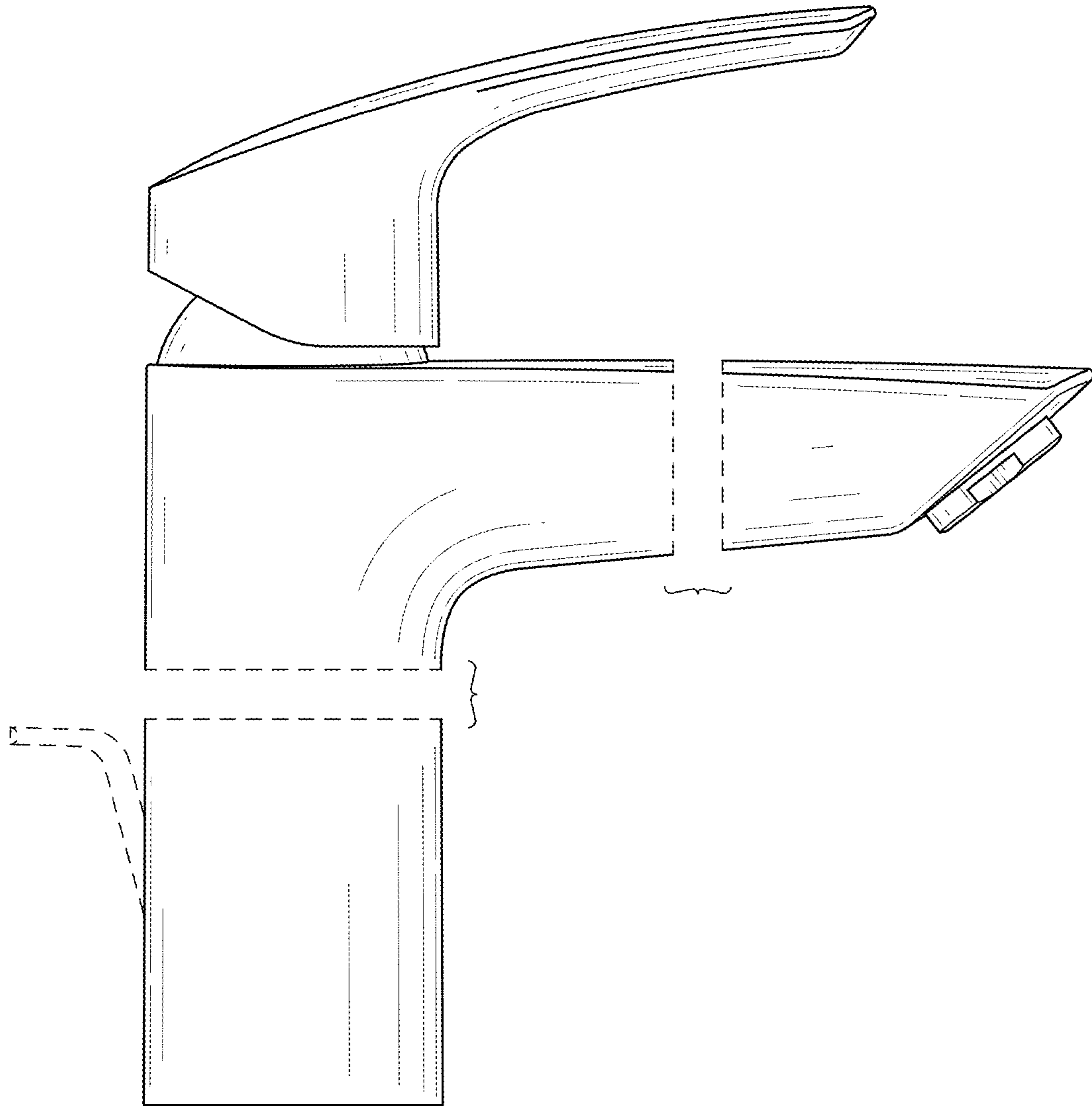


FIG.4

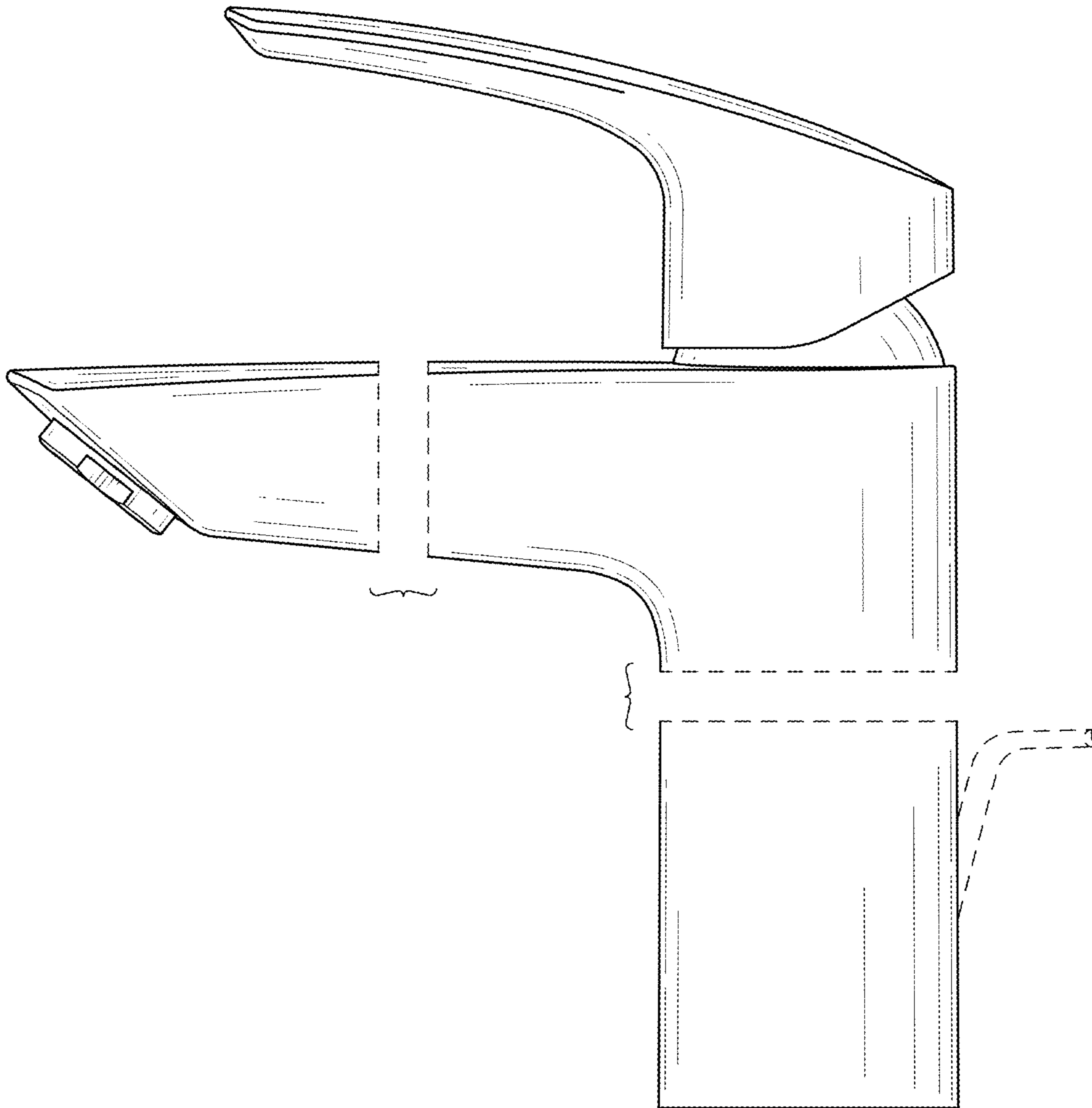


FIG.5

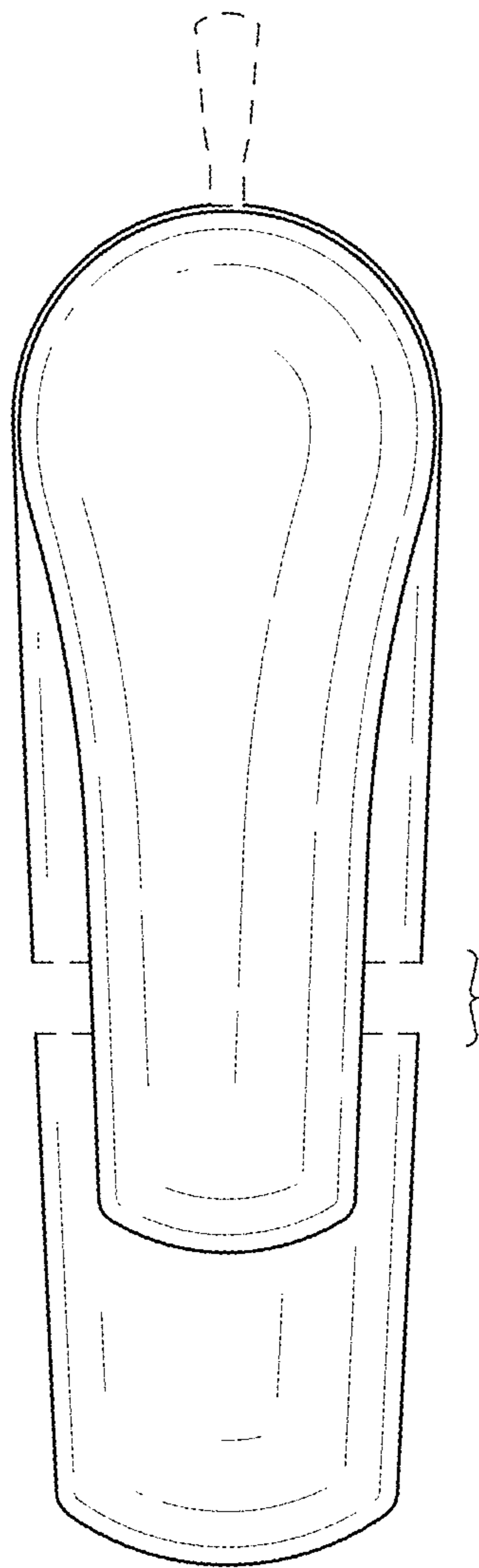


FIG.6

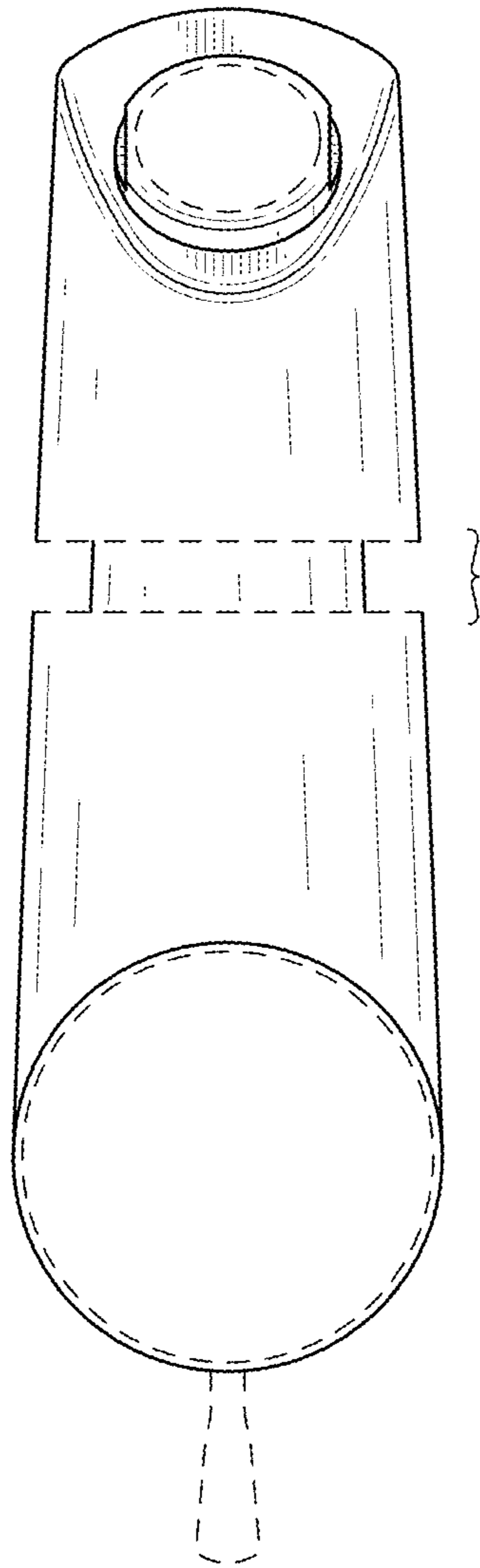


FIG.7