



US00D973180S

(12) **United States Design Patent**  
**Hara**

(10) **Patent No.:** **US D973,180 S**  
(45) **Date of Patent:** **\*\* Dec. 20, 2022**

(54) **ELECTROMAGNETIC VALVE**  
(71) Applicant: **SMC CORPORATION**, Tokyo (JP)  
(72) Inventor: **Yusuke Hara**, Tsukuba (JP)  
(73) Assignee: **SMC CORPORATION**, Tokyo (JP)  
(\*\*) Term: **15 Years**

D698,900 S \* 2/2014 Narita ..... D23/233  
D752,181 S \* 3/2016 Matsumura ..... D23/233  
D908,737 S \* 1/2021 Nemoto ..... D15/7  
D909,536 S \* 2/2021 Yoshimura ..... D23/233  
D909,537 S \* 2/2021 Yoshimura ..... D23/233  
D909,538 S \* 2/2021 Yoshimura ..... D23/233

(Continued)

(21) Appl. No.: **29/768,924**  
(22) Filed: **Feb. 2, 2021**

**FOREIGN PATENT DOCUMENTS**

IN 327726-001-0001 \* 2/2021

(30) **Foreign Application Priority Data**

Sep. 7, 2020 (JP) ..... 2020-019016 D

(51) **LOC (13) Cl.** ..... **23-01**

(52) **U.S. Cl.**  
USPC ..... **D23/233**

(58) **Field of Classification Search**

USPC ..... D23/233, 235, 248; 438/3, 637, 589;  
D15/5, 7, 9; D13/110, 123  
CPC .. Y02E 60/10; F15B 15/1452; F15B 15/1447;  
F15B 15/2807; F15B 15/1471; F15B  
15/1423; F15B 15/2861; F15B 15/2892;  
F15B 15/223; F15B 15/1414; F15B  
13/0871; F15B 13/0807; F15B 13/0814;  
F15B 13/0842; F15B 15/1419; F15B  
15/226; F15B 11/068; F15B 2211/853;  
F15B 2211/8636; F15B 2211/40515;  
F15B 2211/851; F15B 2211/8757; F15B  
2211/8855; F16K 27/041; F16K 11/22;  
F16K 27/003; F16K 27/048; F16K 11/07;  
F16K 1/52; F16K 17/30; G05D 7/03;  
Y10T 137/86614

See application file for complete search history.

**OTHER PUBLICATIONS**

The Electromagnetic Valve KL460 Series, available on genndih.com, posted on Dec. 2, 2020 [online] [site visited Aug. 3, 2022], Internet URL: [https://www.genndih.com/upload\\_files/download/pdf/KL460.pdf](https://www.genndih.com/upload_files/download/pdf/KL460.pdf) (Year: 2020).\*

*Primary Examiner* — Amy C Wierenga

*Assistant Examiner* — Andrea Marie Mckay

(74) *Attorney, Agent, or Firm* — Oblon, McClelland, Maier & Neustadt, L.L.P.

(57) **CLAIM**

The ornamental design for an electromagnetic valve, as shown and described.

**DESCRIPTION**

FIG. 1 is a front, bottom, and right side perspective view of an electromagnetic valve showing the new design.

FIG. 2 is a rear, top, and left side perspective view thereof.

FIG. 3 is a front elevational view thereof.

FIG. 4 is a rear elevational view thereof.

FIG. 5 is a top plan view thereof.

FIG. 6 is a bottom plan view thereof.

FIG. 7 is a left side elevational view thereof; and,

FIG. 8 is a right side elevational view thereof.

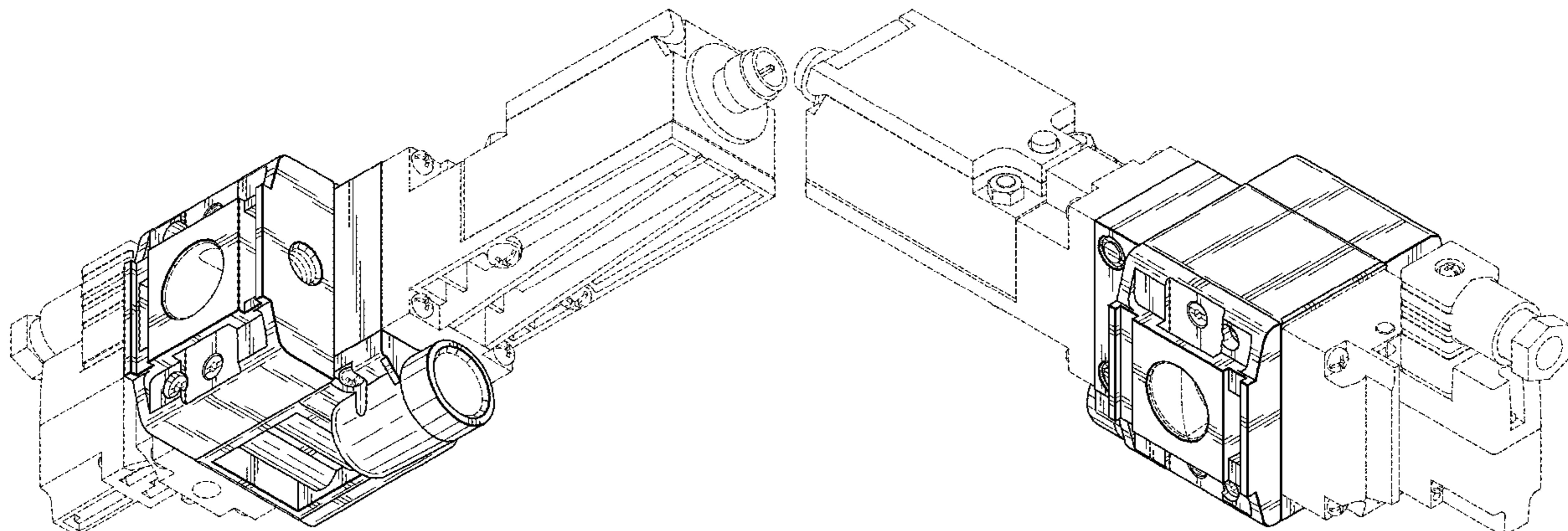
The broken lines depict portions of the electromagnetic valve that form no part of the claimed design.

(56) **References Cited**

**U.S. PATENT DOCUMENTS**

D698,418 S \* 1/2014 Narita ..... D23/233  
D698,899 S \* 2/2014 Narita ..... D23/233

**1 Claim, 8 Drawing Sheets**



(56)

**References Cited**

U.S. PATENT DOCUMENTS

D910,147 S *	2/2021	Yoshimura .....	D23/233
D910,148 S *	2/2021	Yoshimura .....	D23/233
D910,814 S *	2/2021	Yoshimura .....	D23/233
D910,815 S *	2/2021	Yoshimura .....	D23/233
D912,206 S *	3/2021	Yoshimura .....	D23/233
D920,909 S *	6/2021	Sakamura .....	D13/110
D924,361 S *	7/2021	Matsushita .....	D23/235
D926,935 S *	8/2021	Matsushita .....	D23/235
D934,995 S *	11/2021	Mita .....	D23/233
D935,560 S *	11/2021	Mita .....	D23/233
D946,712 S *	3/2022	Yoshimura .....	D23/233

\* cited by examiner

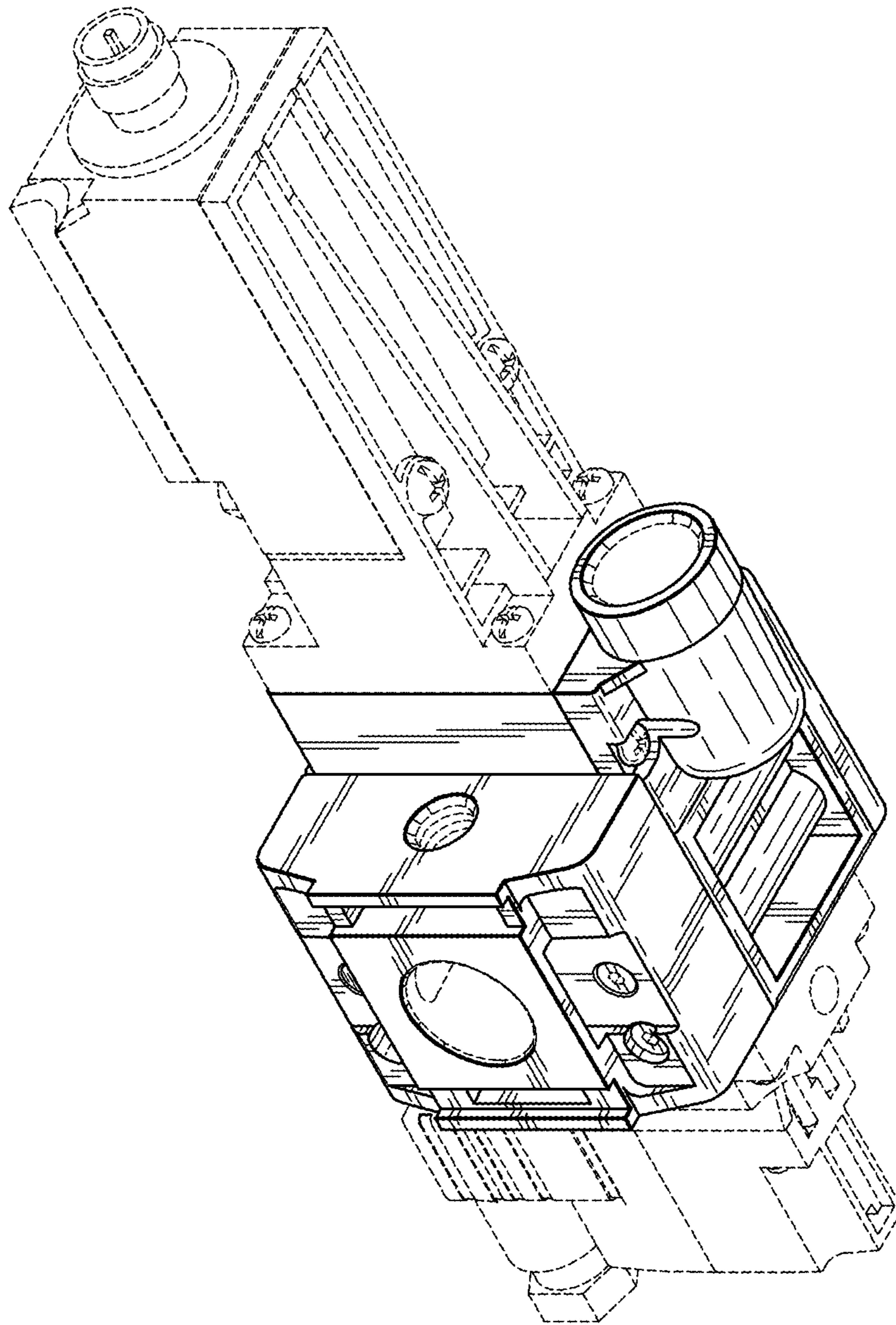


FIG. 1

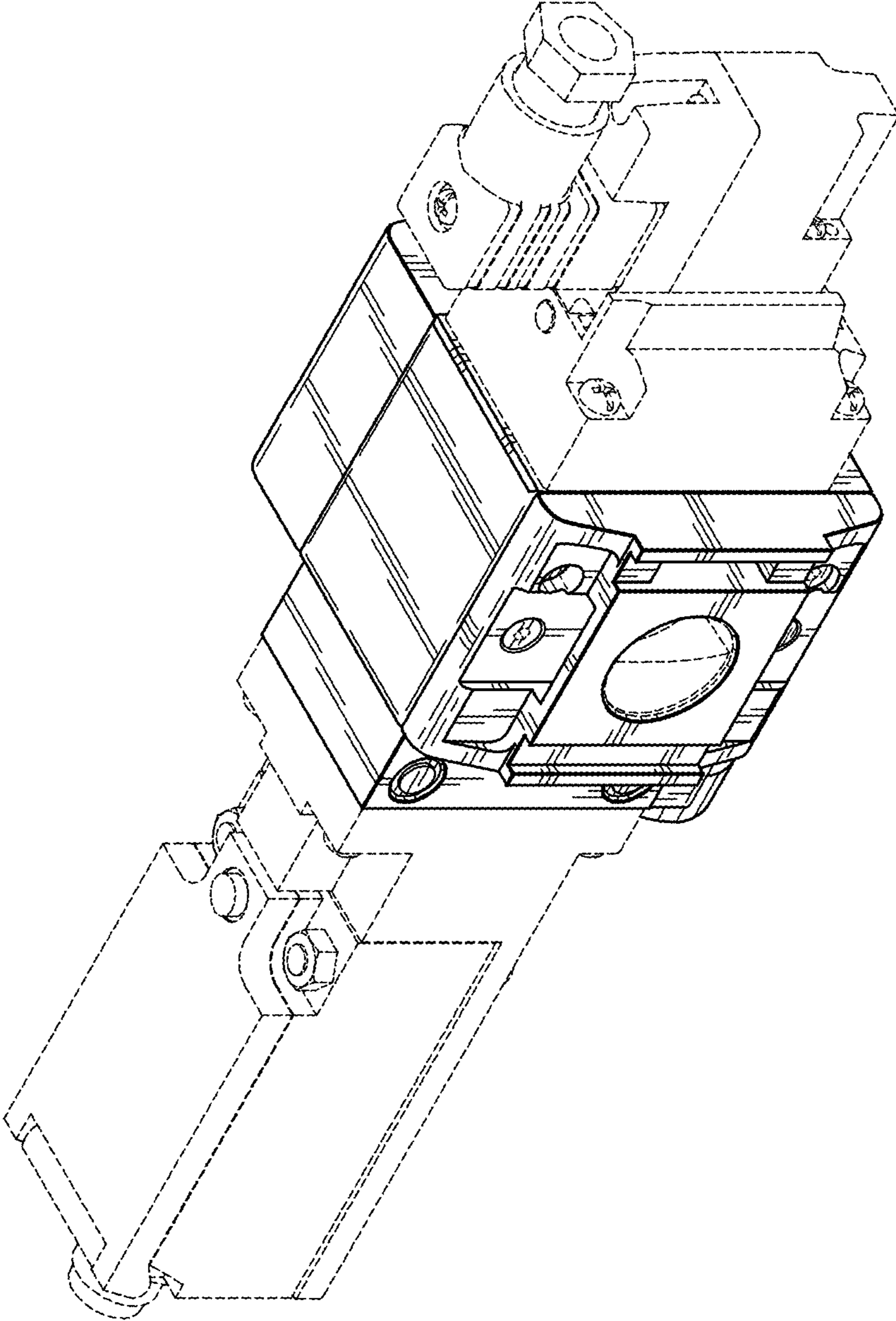


FIG. 2

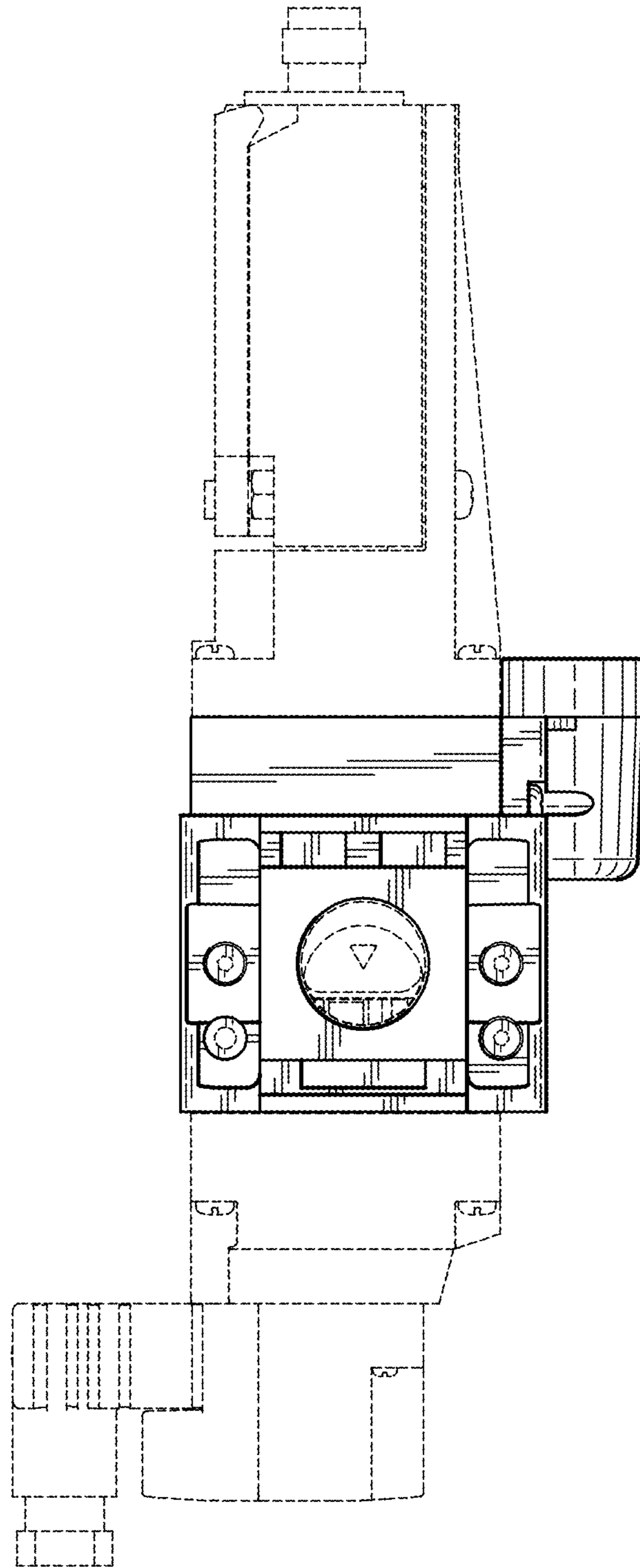


FIG. 3

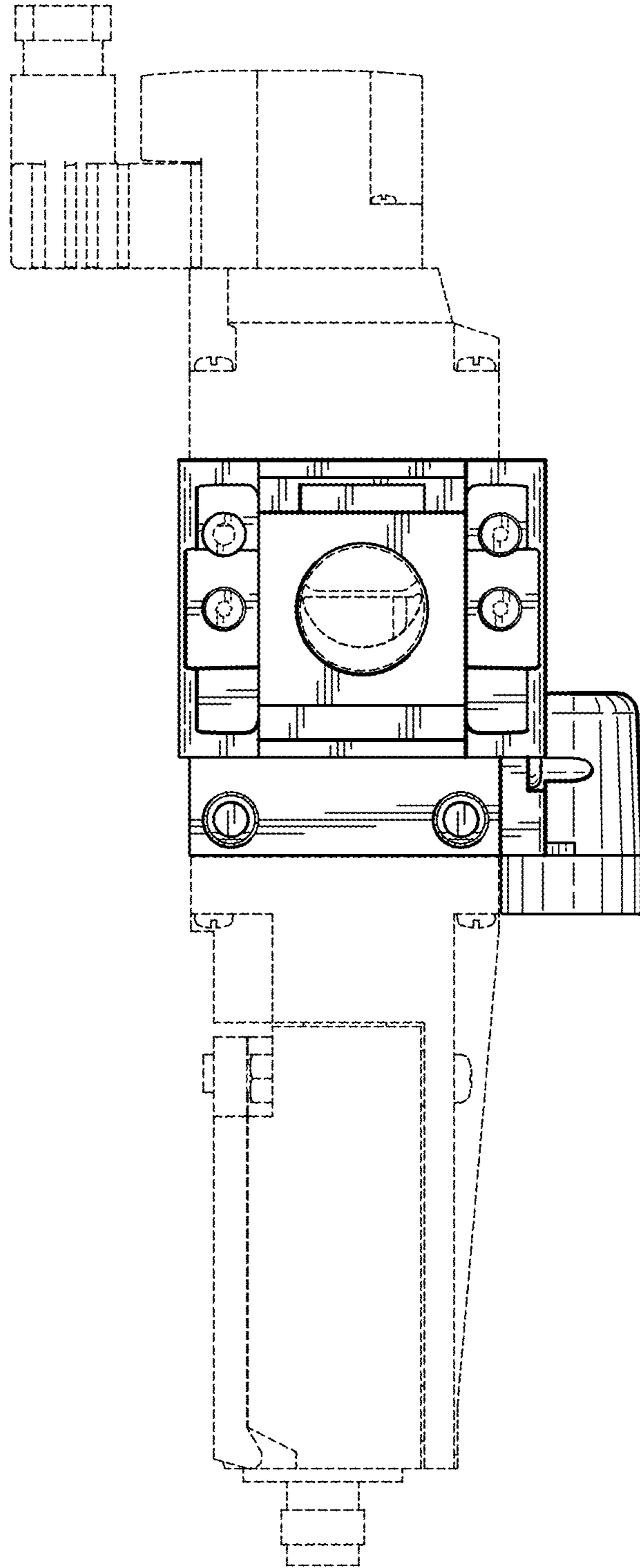


FIG. 4

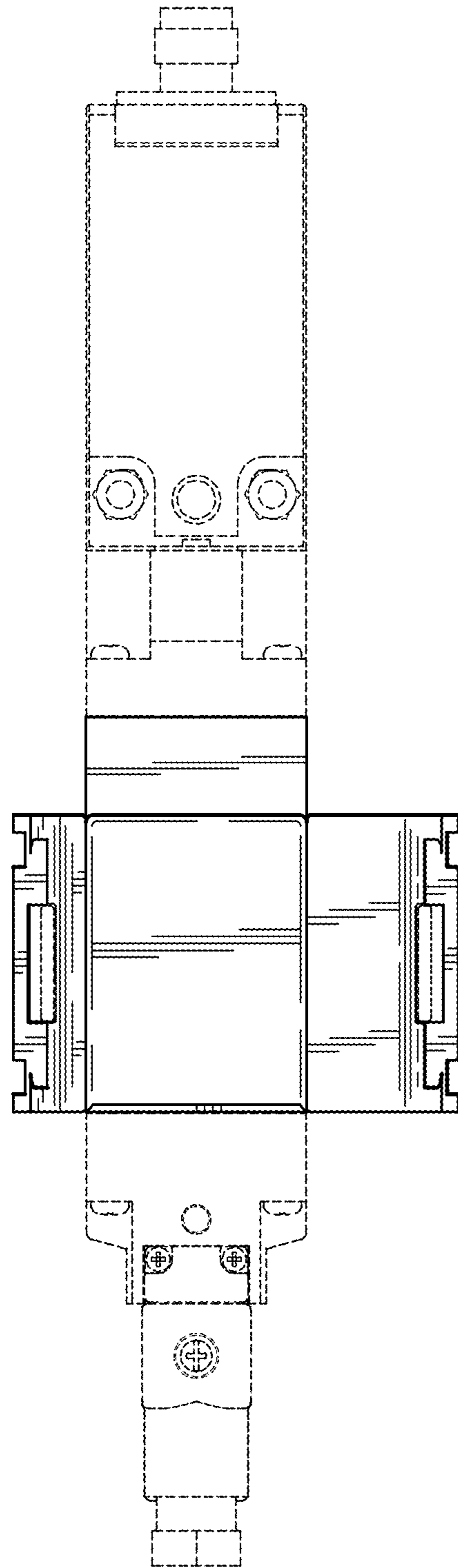


FIG. 5

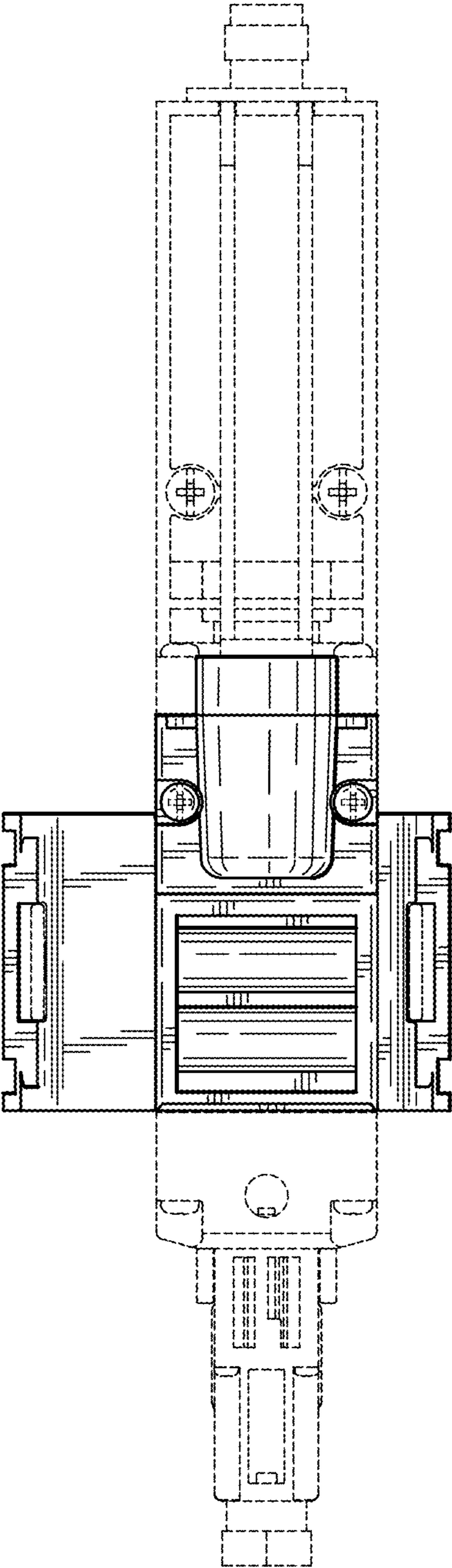


FIG. 6



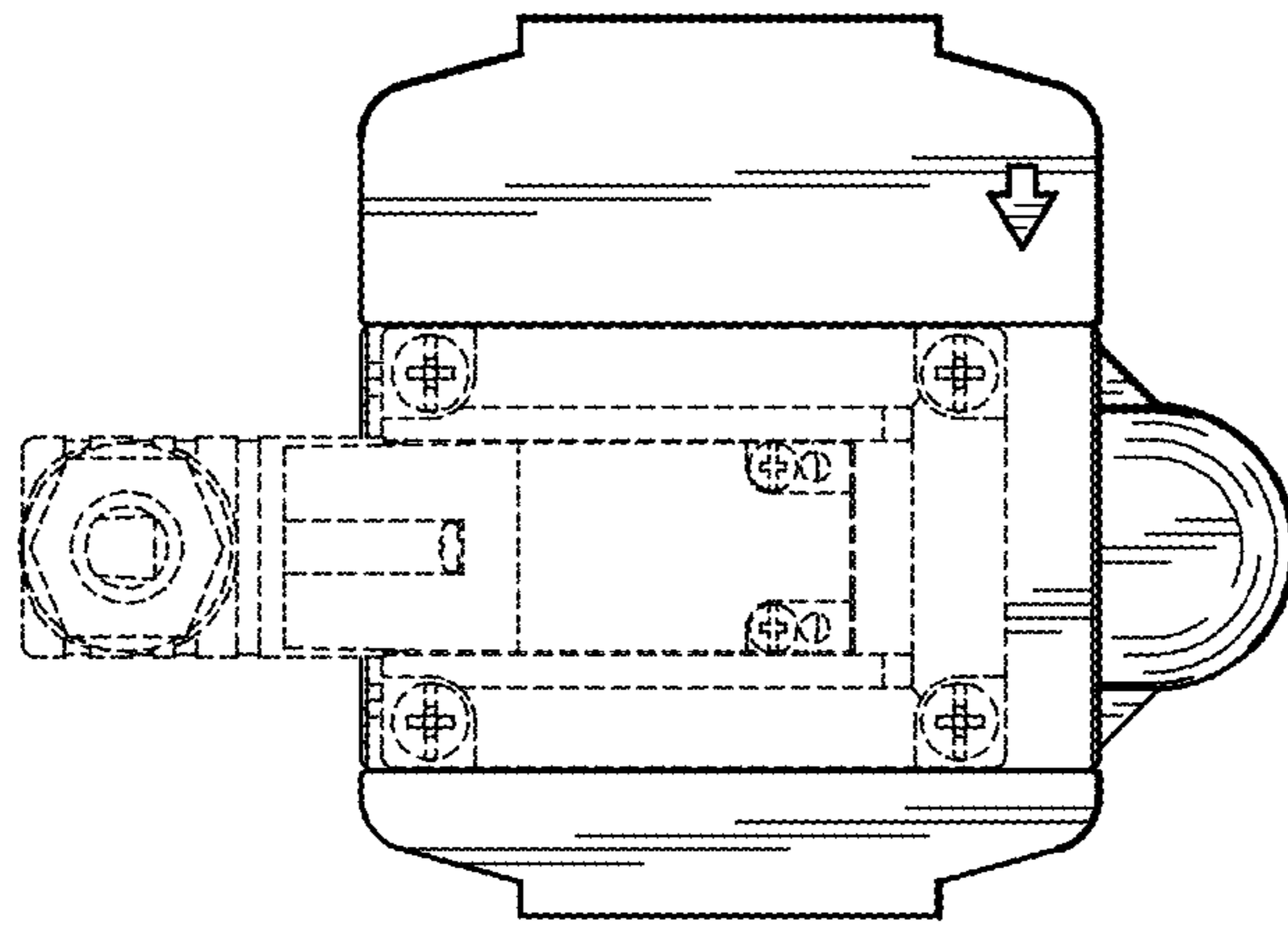


FIG. 7

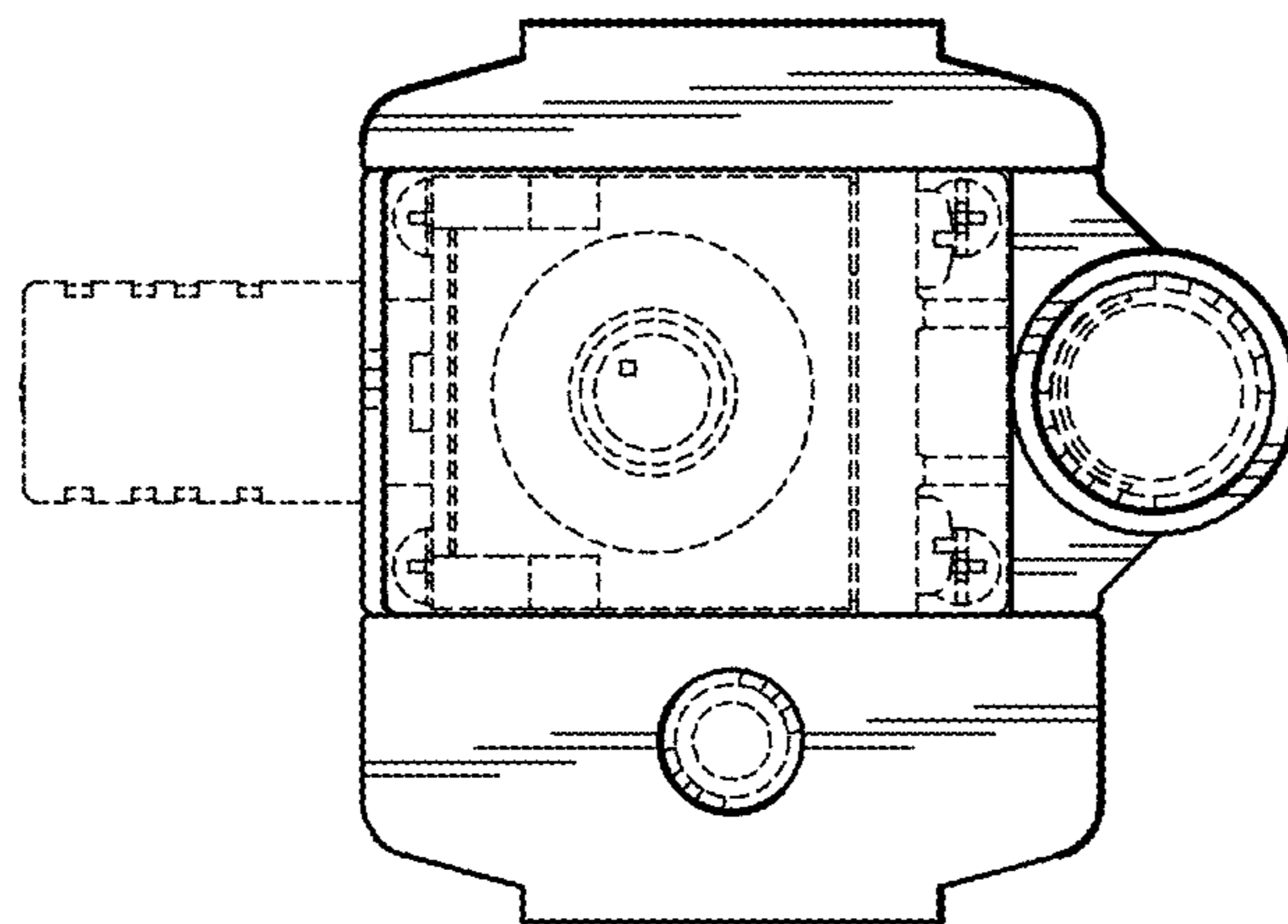


FIG. 8