



US00D973179S

(12) **United States Design Patent**
Chen

(10) **Patent No.:** **US D973,179 S**

(45) **Date of Patent:** **** Dec. 20, 2022**

(54) **TURBO SHOWER HEAD**

(71) Applicant: **Rushi Chen**, Guangdong (CN)

(72) Inventor: **Rushi Chen**, Guangdong (CN)

(**) Term: **15 Years**

(21) Appl. No.: **29/819,197**

(22) Filed: **Dec. 13, 2021**

(51) **LOC (13) Cl.** **23-01**

(52) **U.S. Cl.**
USPC **D23/223**

(58) **Field of Classification Search**
USPC D23/213, 214, 215, 223, 224, 226, 229,
D23/230
CPC A61H 9/0021; A61H 33/00; B05B 1/00;
B05B 1/14; B05B 1/185; B05B 1/08;
B05B 1/02; B05B 1/26; B05B 12/002;
B05B 1/18; B05B 9/01
See application file for complete search history.

(56) **References Cited**

U.S. PATENT DOCUMENTS

D487,498	S	*	3/2004	Blomstrom	D23/213
D508,730	S	*	8/2005	Blomstrom	D23/229
D524,412	S	*	7/2006	Blomstrom	D23/229
D680,619	S	*	4/2013	Zhadanov	D23/223
D681,776	S	*	5/2013	Cutler	D23/223
D694,357	S	*	11/2013	Brodey	D23/213
D694,359	S	*	11/2013	Schoenherr	D23/213
D707,330	S	*	6/2014	Schoenherr	D23/223
D713,004	S	*	9/2014	Schoenherr	D23/223
D713,496	S	*	9/2014	Schoenherr	D23/213
D718,418	S	*	11/2014	Georgeson	D23/213
D730,493	S	*	5/2015	Sehl	D23/261
D733,258	S	*	6/2015	Sandee	D23/223
D737,931	S	*	9/2015	Schoenherr	D23/223
D737,932	S	*	9/2015	Nikles	D23/223
D743,507	S	*	11/2015	Georgeson	D23/252
D746,955	S	*	1/2016	Corder	D23/261

D752,711	S	*	3/2016	Georgeson	D23/213
9,387,495	B2	*	7/2016	Schumacher	B05B 1/30
D778,404	S	*	2/2017	Schoenherr	D23/223
D779,038	S	*	2/2017	Hanna	D23/223
D779,039	S	*	2/2017	Hanna	D23/223
D801,475	S	*	10/2017	Naslund	D23/213

(Continued)

OTHER PUBLICATIONS

Miaohui RV Shower Head with Hose and on Off Switch, 3 Setting High Pressure Handheld Shower Head, Aug. 13, 2020, amazon.ca, May 11, 2022, URL: <https://www.amazon.ca/MIAOHUI-Pressure-Removable-Adjustable-Low-Reach/dp/B08FSWT8R2/> (Year: 2020).*

(Continued)

Primary Examiner — Keith J Wilson
(74) *Attorney, Agent, or Firm* — ScienBiziP, P.C.

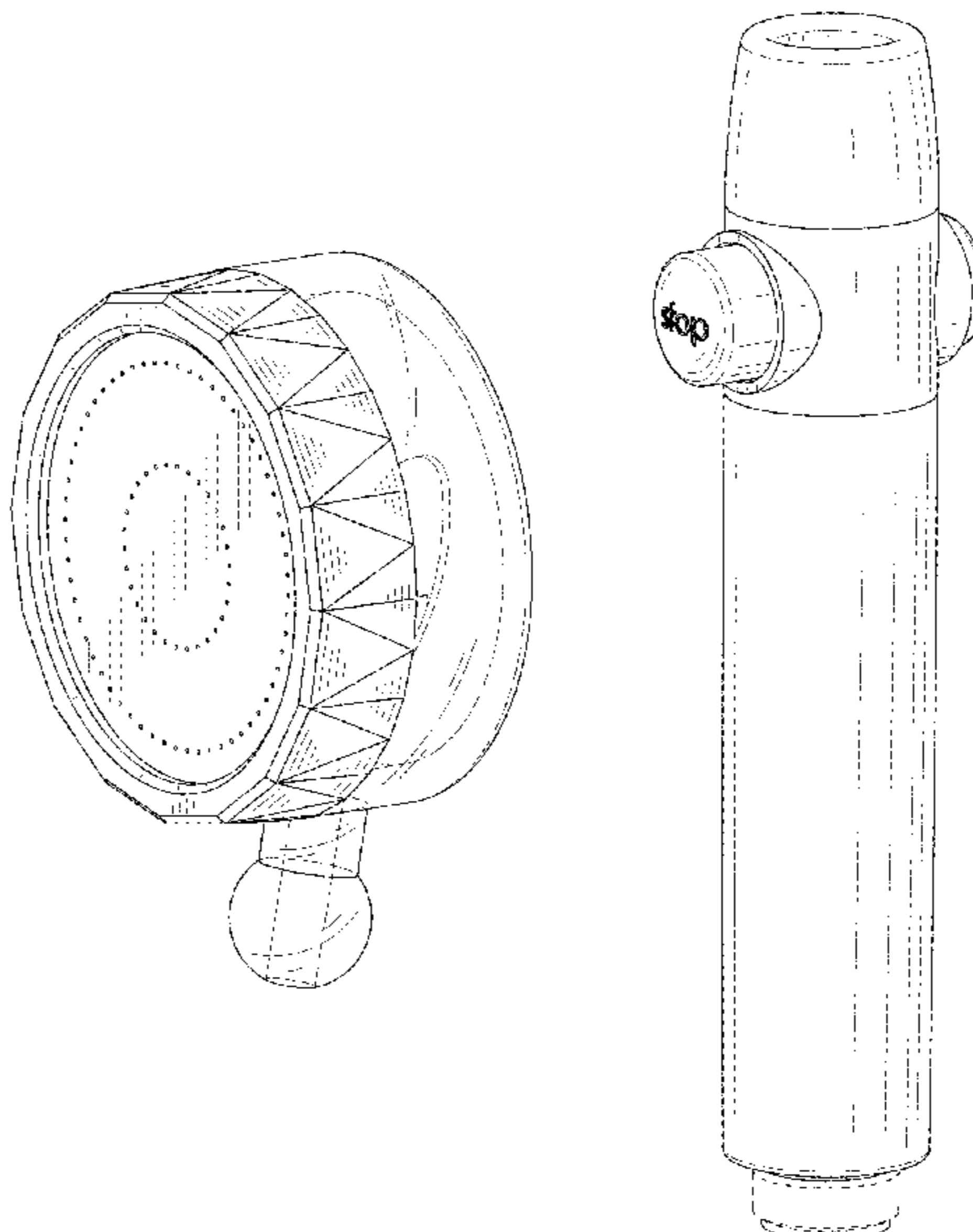
(57) **CLAIM**

The ornamental design for a turbo shower head, as shown and described.

DESCRIPTION

FIG. 1 is a front, right and top perspective view of a turbo shower head, showing my design.
FIG. 2 is a rear, left and bottom perspective view thereof.
FIG. 3 is a front elevation view thereof.
FIG. 4 is a rear elevation view thereof.
FIG. 5 is a left side elevation view thereof.
FIG. 6 is a right side elevation view thereof.
FIG. 7 is a top plan view thereof.
FIG. 8 is a bottom plan view thereof.
FIG. 9 is an exploded view thereof; and,
FIG. 10 is another front, right and top perspective view of the turbo shower head of FIG. 1 in a usable state.
The broken lines shown in the drawings are included for the purpose of illustrating portions of the turbo shower head that form no part of the claimed design.

1 Claim, 10 Drawing Sheets



(56)

References Cited

U.S. PATENT DOCUMENTS

D803,350	S	*	11/2017	Tian	D23/213
D808,499	S	*	1/2018	Naslund	D23/213
D809,094	S	*	1/2018	Naslund	D23/213
D810,233	S	*	2/2018	Winter	D23/213
D810,861	S	*	2/2018	Weaver	D23/213
D811,524	S	*	2/2018	Bossini	D23/223
D820,388	S	*	6/2018	Seum	D23/213
D820,949	S	*	6/2018	Reinecker	D23/213
D821,542	S	*	6/2018	Reinecker	D23/213
D824,485	S	*	7/2018	Montoya	D23/213
D833,575	S	*	11/2018	Soulier	D23/223
D839,384	S	*	1/2019	Svendsen	D23/213
D840,503	S	*	2/2019	Stein	D23/213
D841,121	S	*	2/2019	Kiefer	D23/213
D841,125	S	*	2/2019	Lai	D23/223
D842,429	S	*	3/2019	Huang	D23/213
D842,430	S	*	3/2019	Huang	D23/213
D842,431	S	*	3/2019	Cacka	D23/213
D842,967	S	*	3/2019	Farley	D23/213
D927,643	S		8/2021	Wu		
D937,971	S		12/2021	Gutman		

OTHER PUBLICATIONS

Zhurson Shower Head, Hand-held Shower with Filter, Feb. 4, 2021, amazon.ca, May 11, 2022, URL: https://www.amazon.ca/dp/B08VWTRGXN/ref=sbl_dpx_ca-home-improvement-bathroom-handheld-showerheads_B07RVJBKSH_0 (Year: 2021).*

Handheld Shower Head with 59Inch Stainless Steel Hose, May 28, 2019, amazon.ca, Aug. 9, 2022, URL: <https://www.amazon.ca/Handheld-Stainless-Adjustable-Holder-360-Showerhead/dp/B0944845SK/> (Year: 2019).*

* cited by examiner

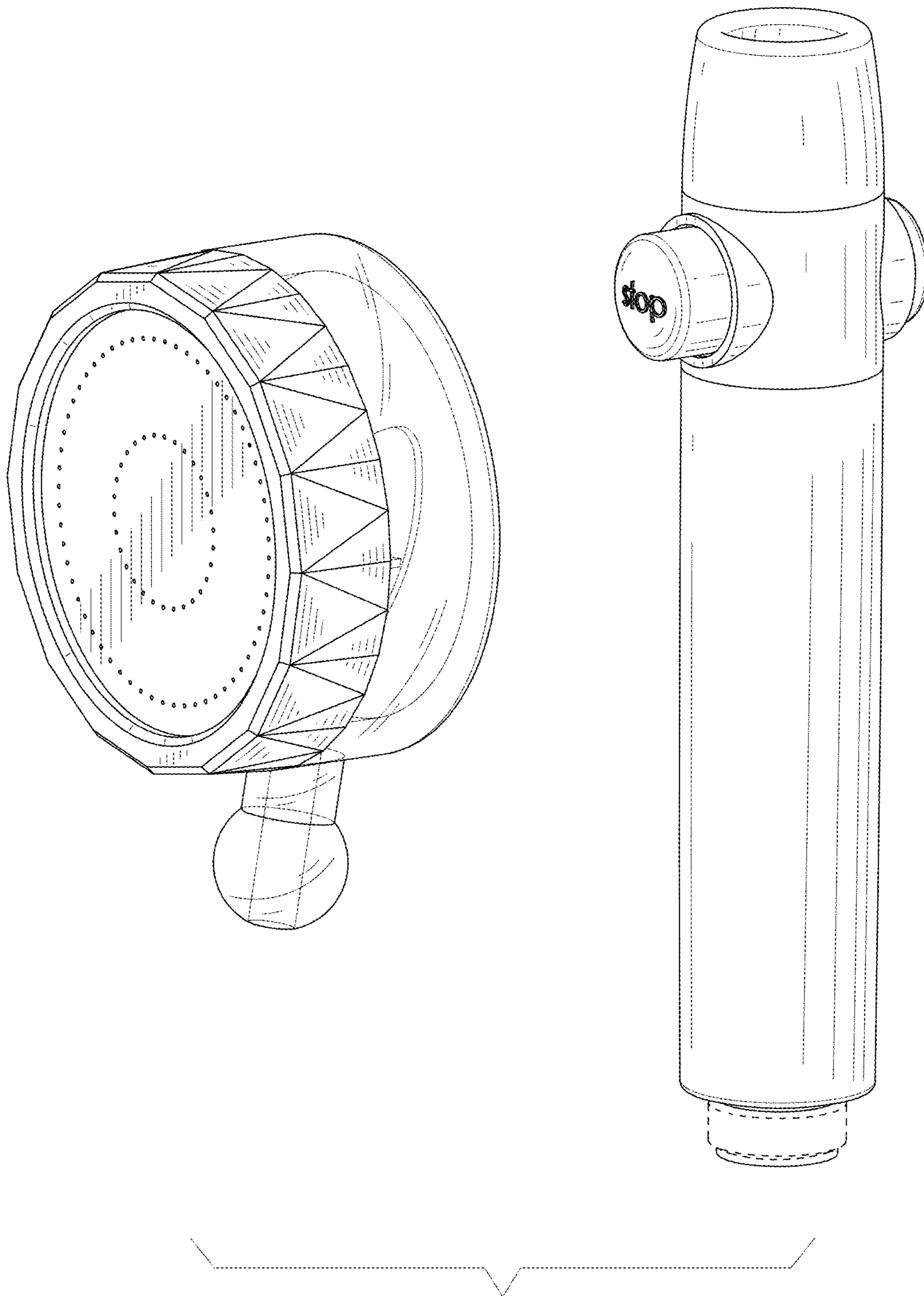


FIG. 1

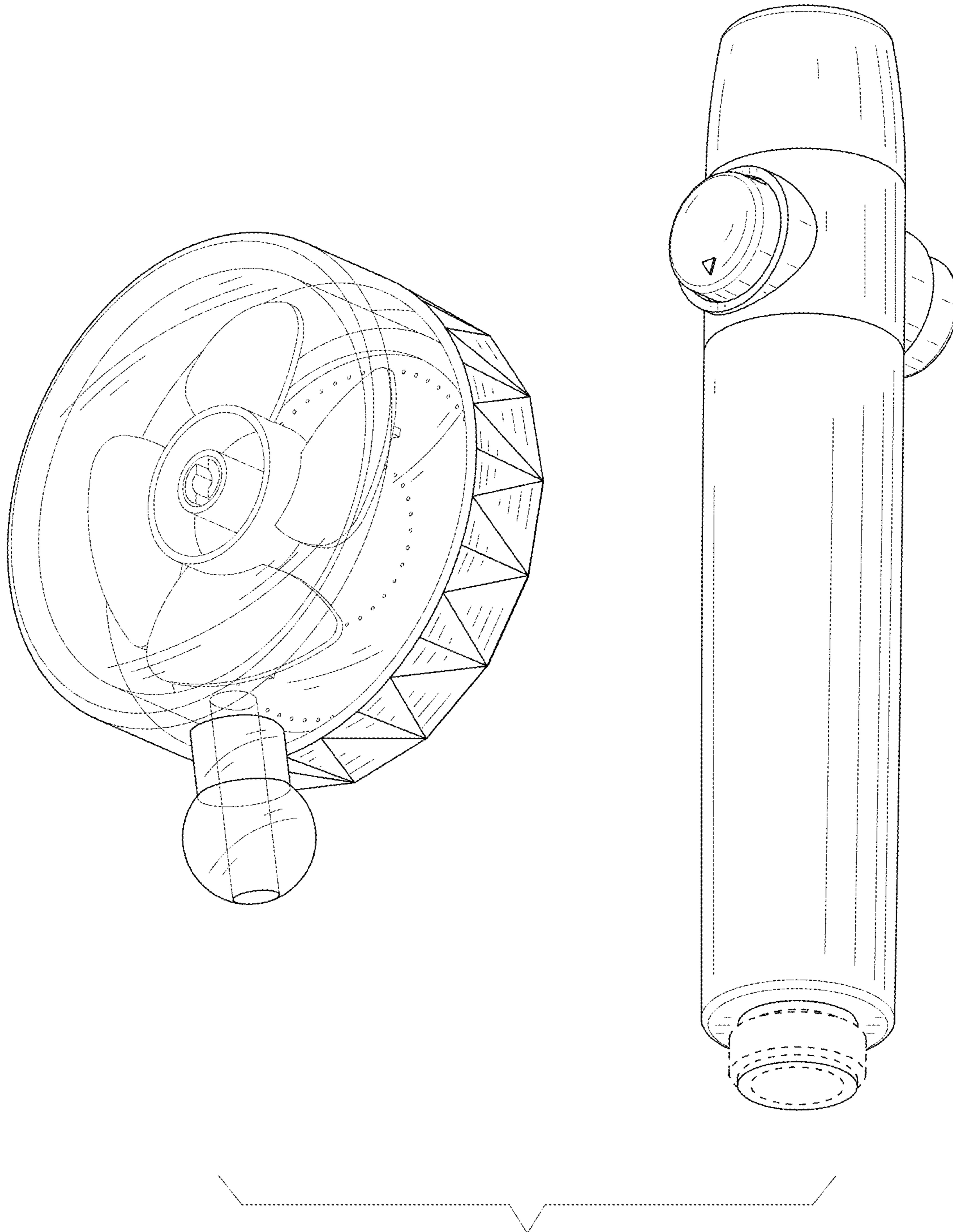


FIG. 2

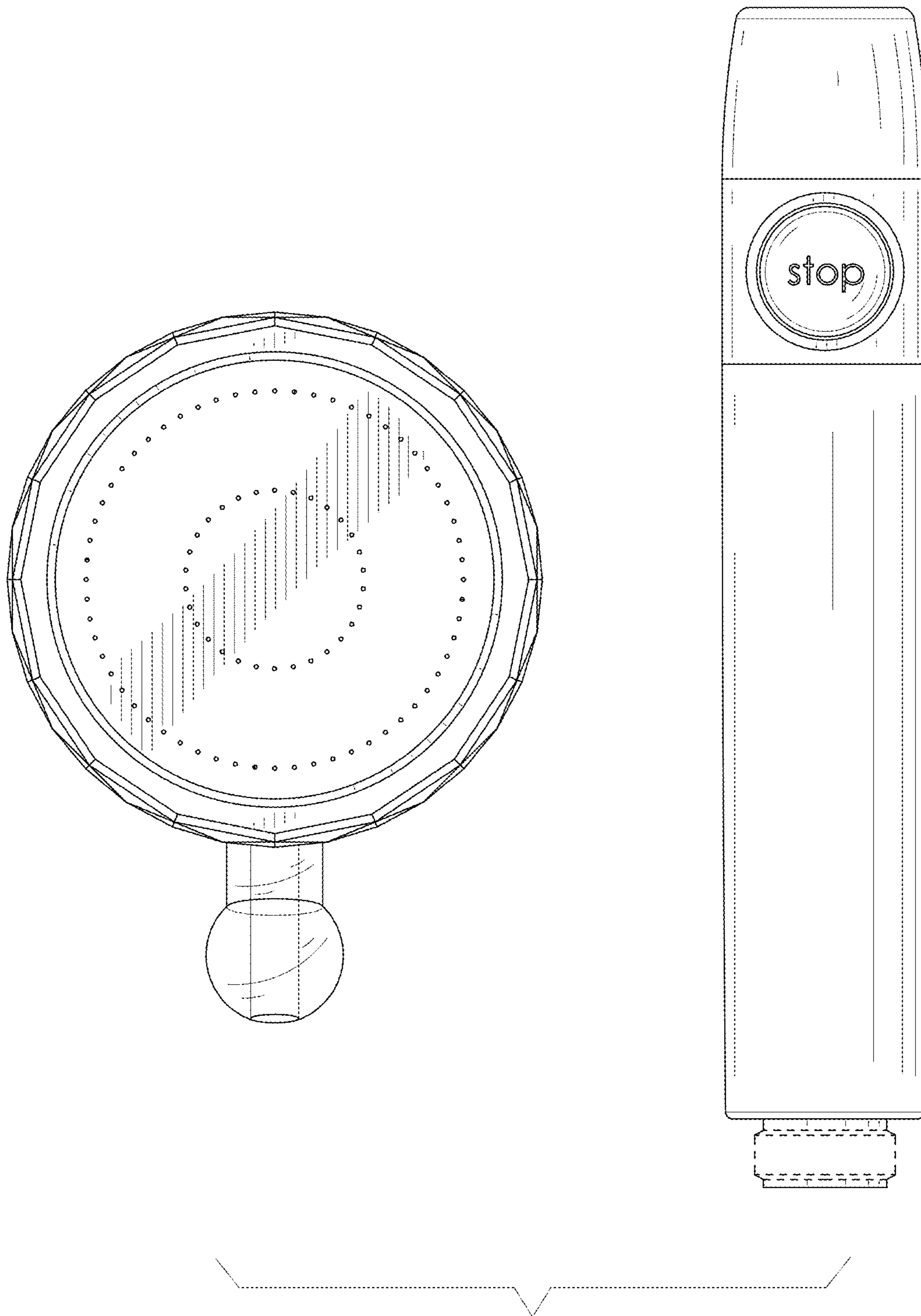


FIG. 3

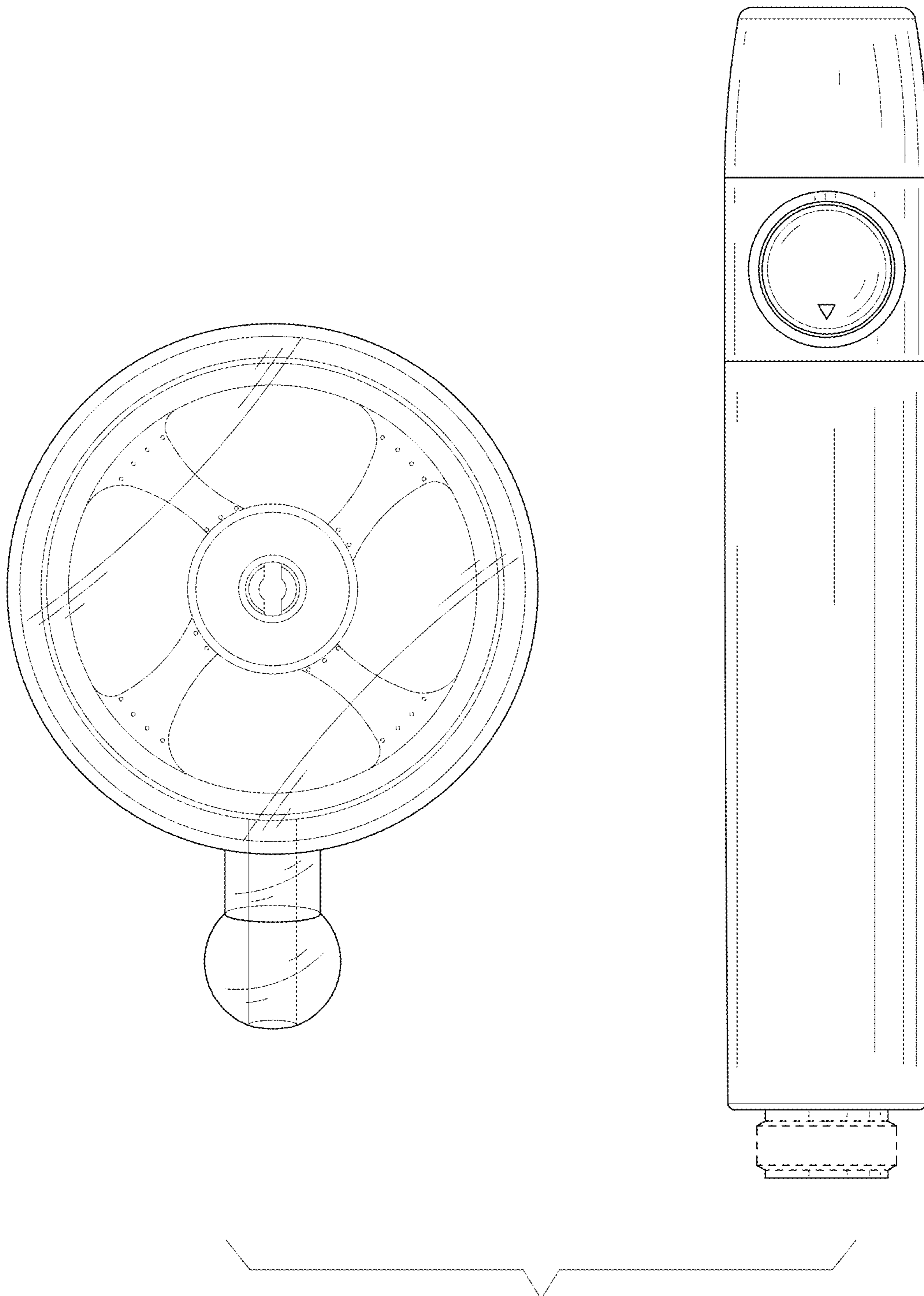


FIG. 4

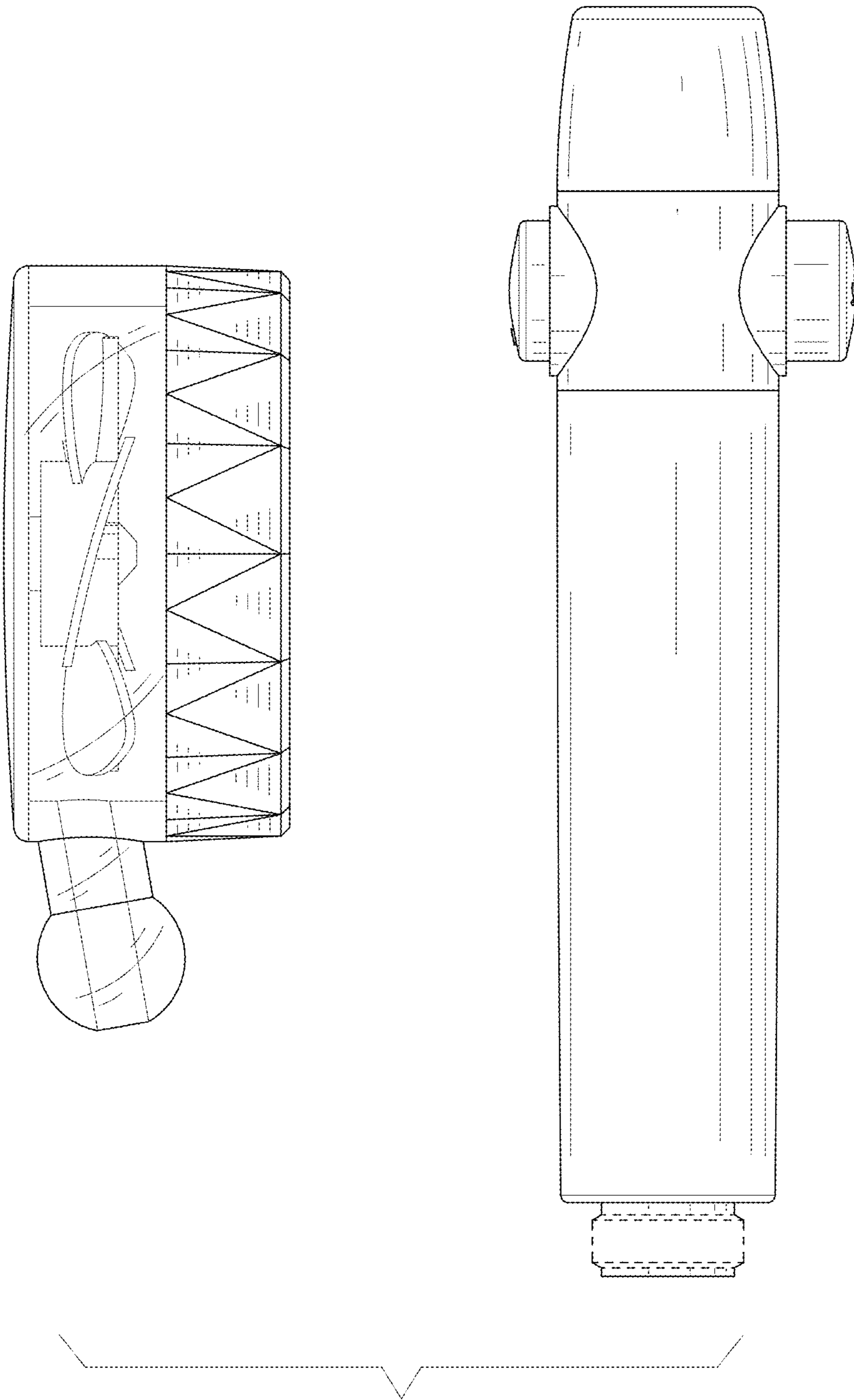


FIG. 5

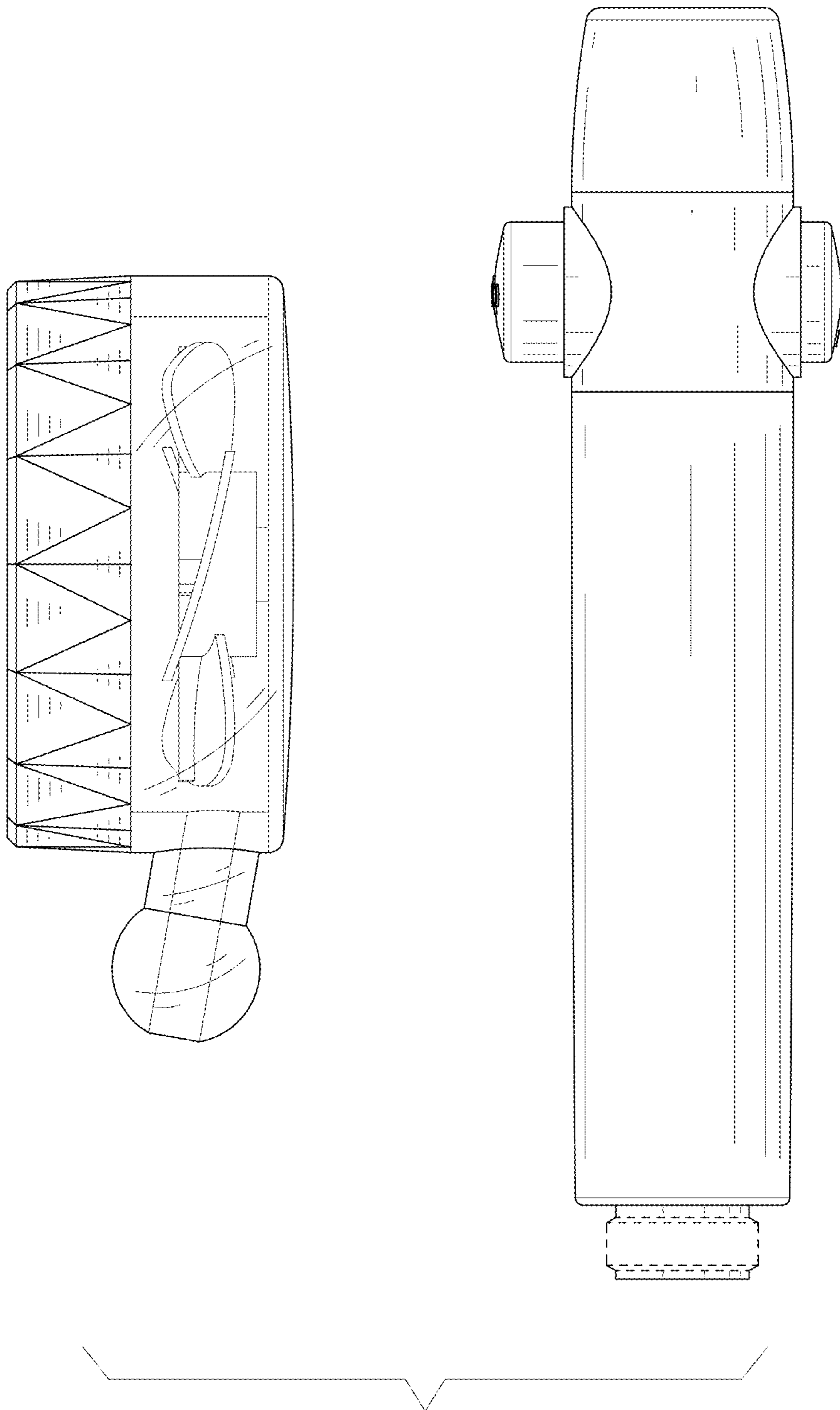


FIG. 6

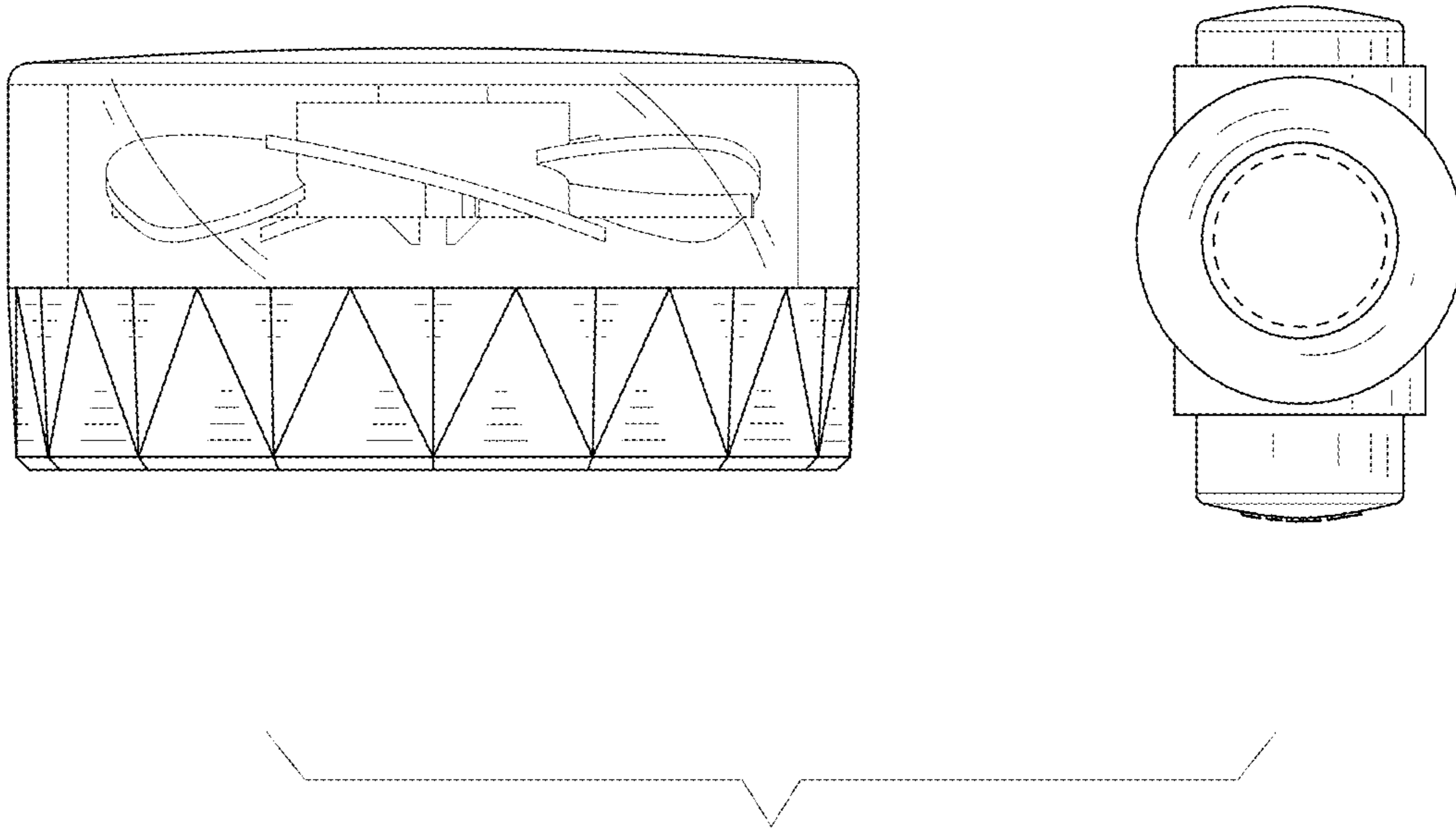


FIG. 7

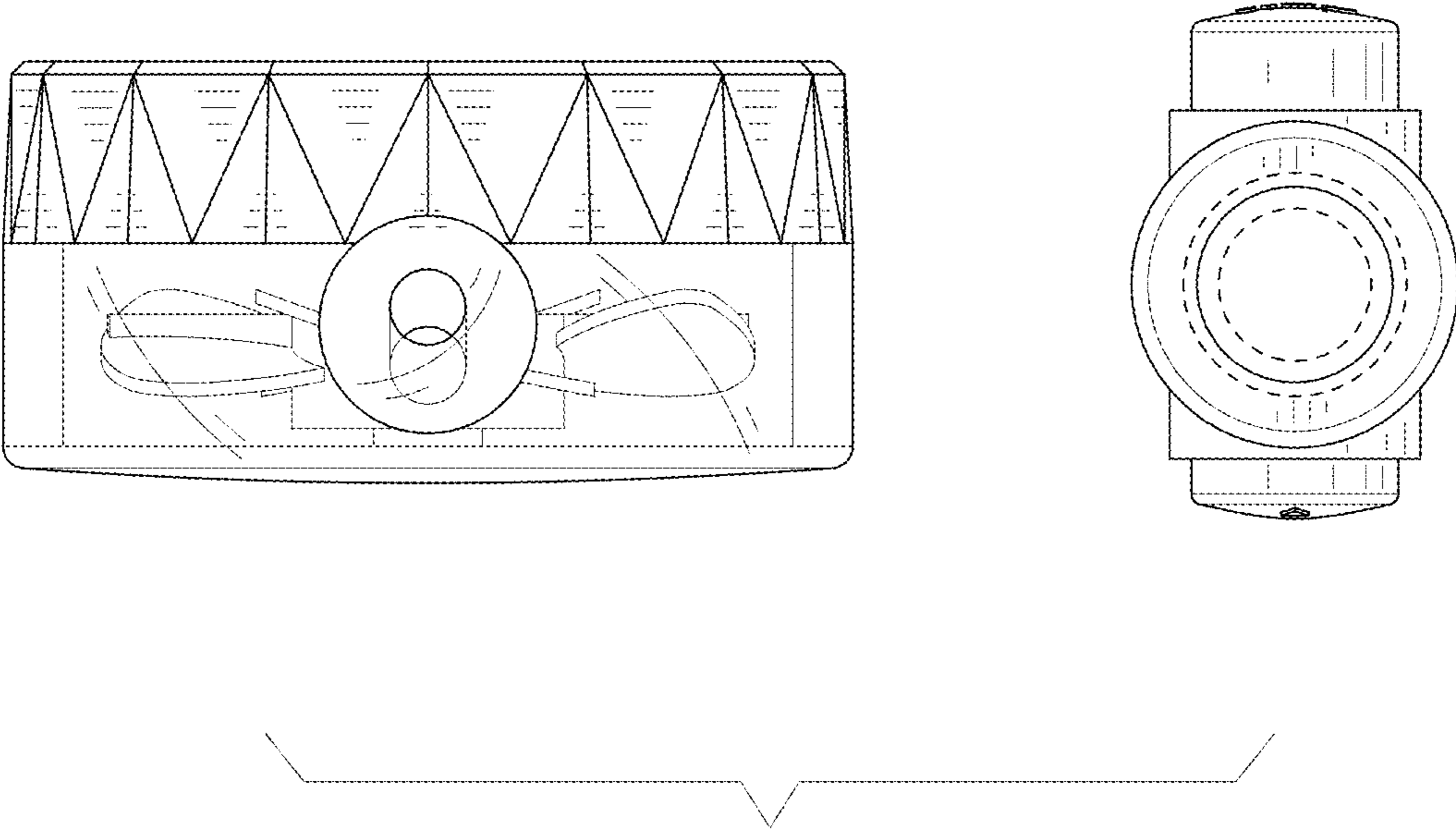


FIG. 8

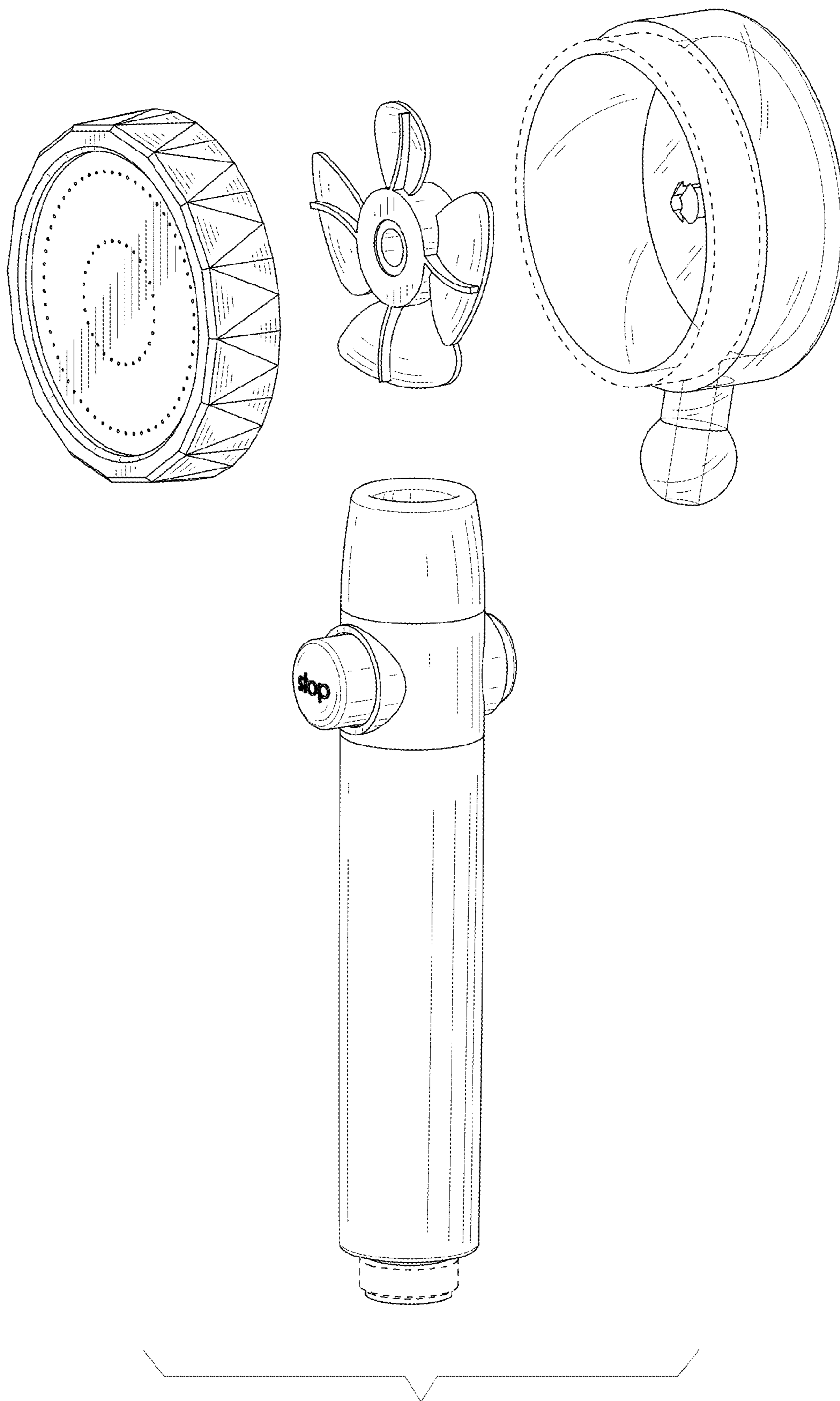


FIG. 9

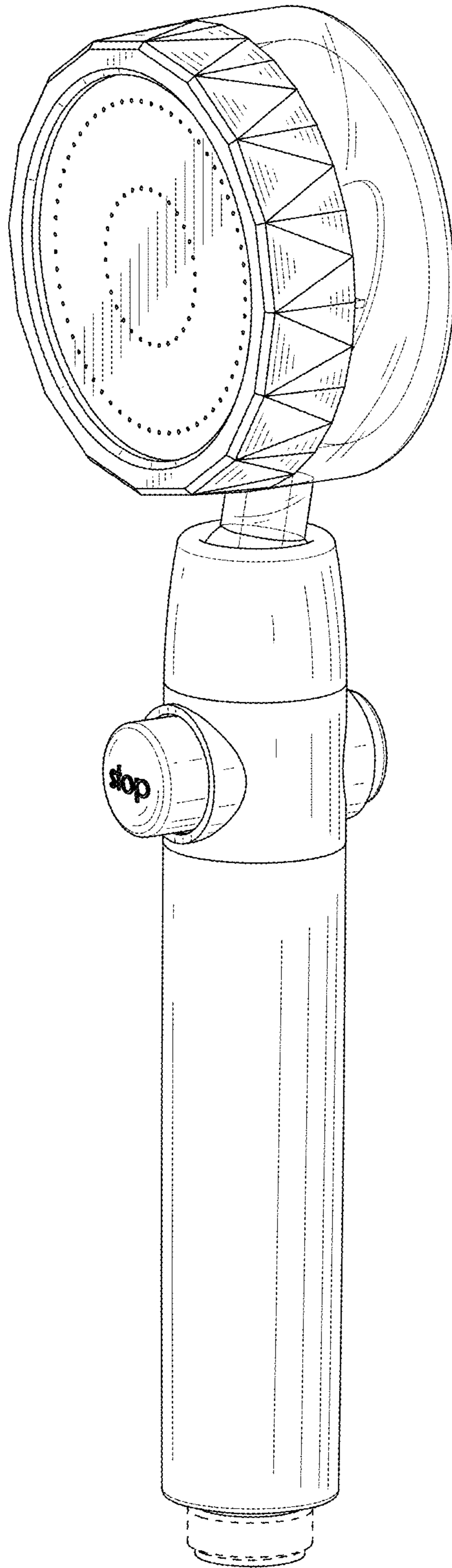


FIG. 10