



US00D973176S

(12) **United States Design Patent**
Campos

(10) **Patent No.:** **US D973,176 S**

(45) **Date of Patent:** **** Dec. 20, 2022**

(54) **MOBILE PHASE HPLC SOLVENT AND ACID
FILTRATION SYSTEM**

(71) Applicant: **Johny Dias Campos**, Orlando, FL (US)

(72) Inventor: **Johny Dias Campos**, Orlando, FL (US)

(**) Term: **15 Years**

(21) Appl. No.: **29/743,498**

(22) Filed: **Jul. 22, 2020**

(51) **LOC (13) Cl.** **23-01**

(52) **U.S. Cl.**
USPC **D23/209**

(58) **Field of Classification Search**
USPC D7/300.1, 313; D14/228; D15/7;
D23/200, 207-209, 213, 223, 233, 235,
D23/259-269, 364-366; D24/108, 112,
D24/129

CPC . F17C 1/00; F17C 5/06; A61M 11/02; A61M
11/041; A61L 9/00; A61L 9/03; A61L
9/12; A61L 9/122; A61L 2209/11; A61L
2209/14; A61L 2209/133; Y10S 261/17;
Y10S 261/88; Y10S 261/89; B01D 27/08;
B01D 35/02; B01D 35/30; B01D 35/005;
B01D 2201/302; B01D 46/10; B01D
46/2411; B01D 46/0004; B01D 46/0005;
B01D 63/103; C02F 1/42; C02F 1/003

See application file for complete search history.

(56) **References Cited**

U.S. PATENT DOCUMENTS

D229,235 S * 11/1973 Bunch D15/7
D275,309 S * 8/1984 Stanley D23/209

D324,101 S * 2/1992 Reif D24/112
D363,759 S * 10/1995 Schafer D23/209
D473,925 S * 4/2003 Melton D23/209
7,160,453 B1 * 1/2007 Matsumura C02F 1/003
210/489
D776,786 S * 1/2017 Okazaki D23/209

* cited by examiner

Primary Examiner — Gino Colan

Assistant Examiner — David OBrien

(74) *Attorney, Agent, or Firm* — Jason T. Daniel, Esq.;
Daniel Law Offices, P.A.

(57) **CLAIM**

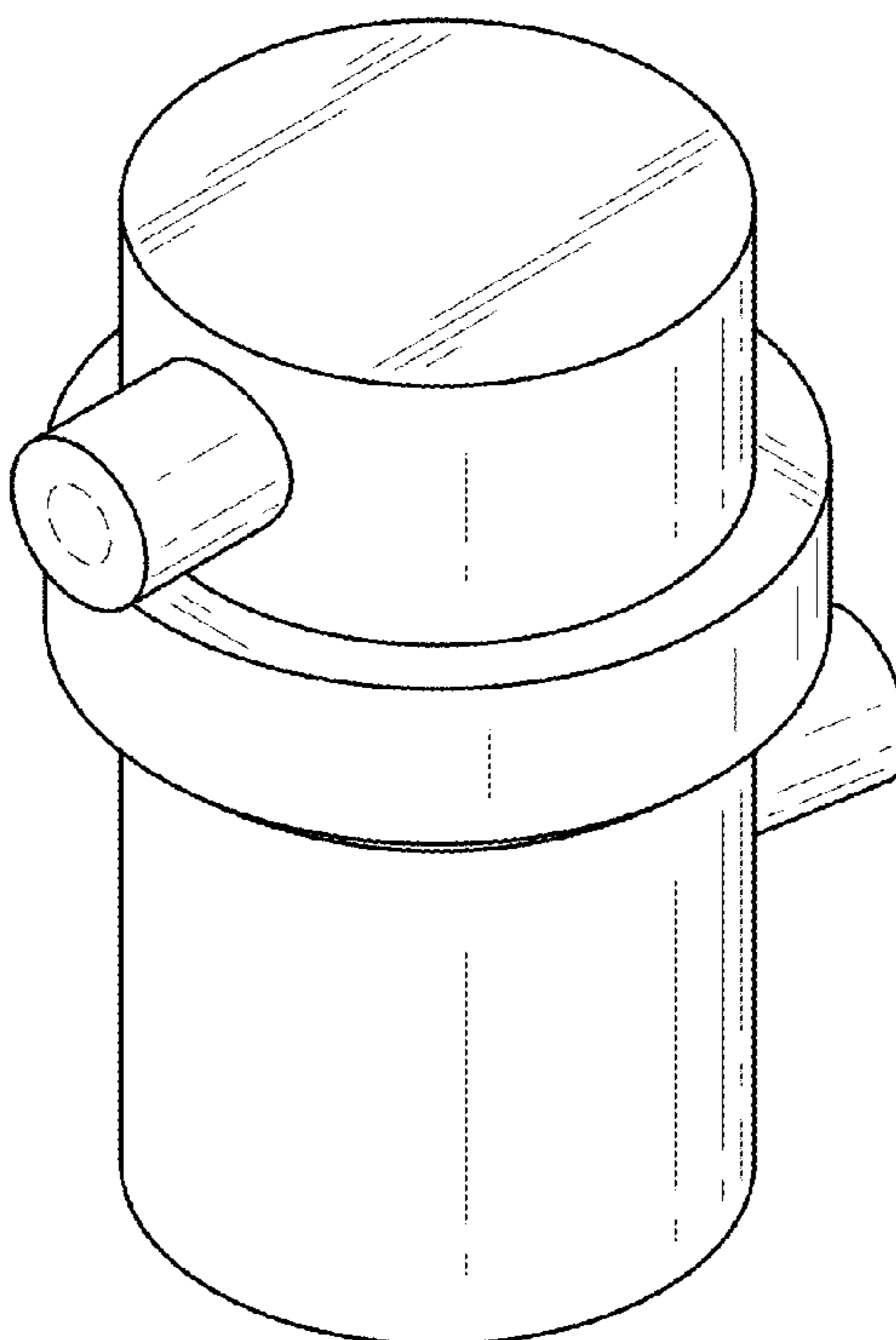
The ornamental design for a mobile phase HPLC solvent
and acid filtration system, as shown and described.

DESCRIPTION

FIG. 1 is a front perspective view thereof,
FIG. 2 is a back perspective view thereof,
FIG. 3 is a left side elevation view thereof,
FIG. 4 is a right side elevation view thereof,
FIG. 5 is a front side elevation view thereof,
FIG. 6 is a back side elevation view thereof,
FIG. 7 is a top side plan view thereof; and,
FIG. 8 is a bottom side plan view thereof.

The broken lines shown in the figures are for purposes of
illustrating portions of the mobile phase HPLC solvent and
acid filtration system and form no part of the claimed design.

1 Claim, 4 Drawing Sheets



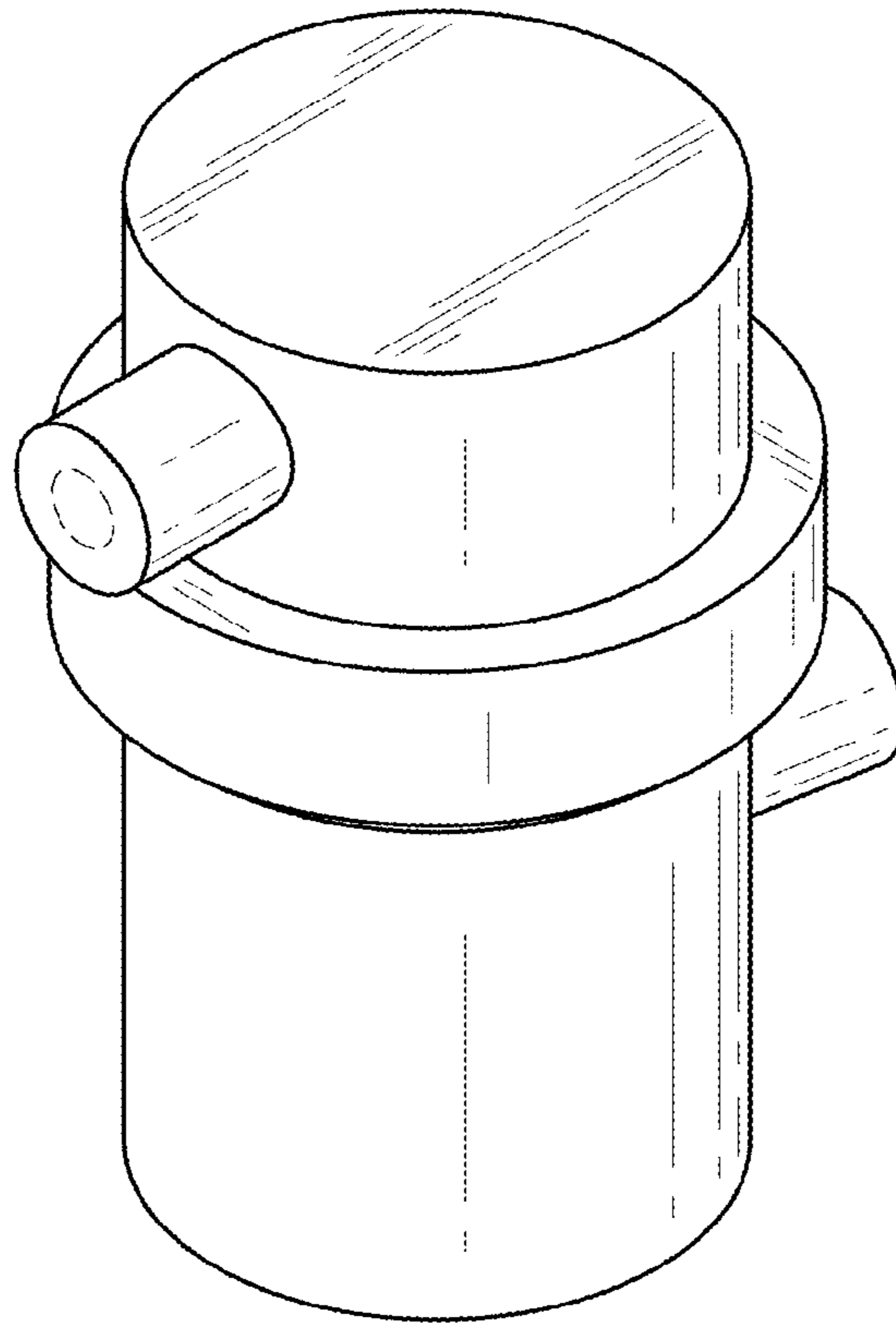


FIG. 1

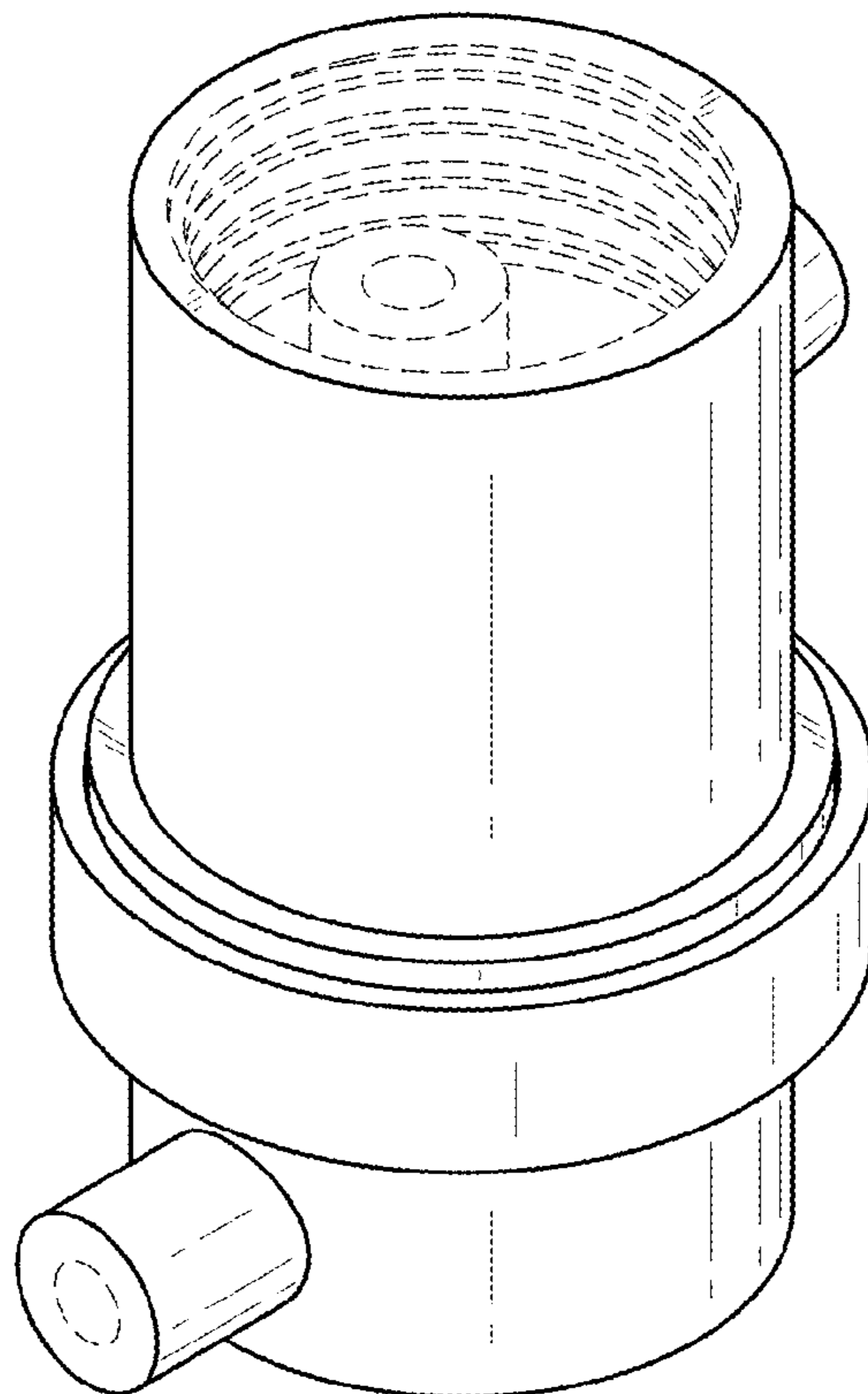


FIG. 2

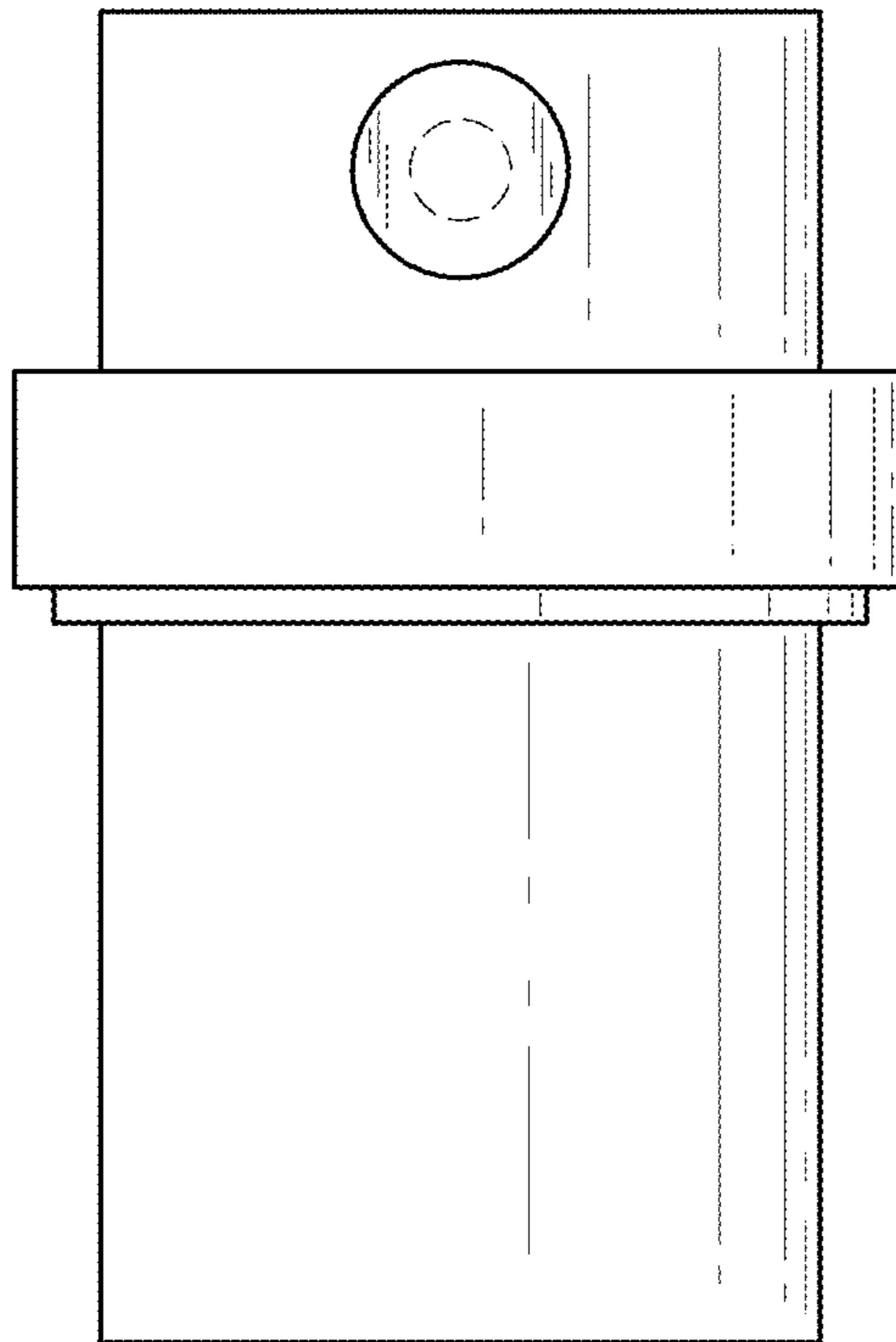


FIG. 3

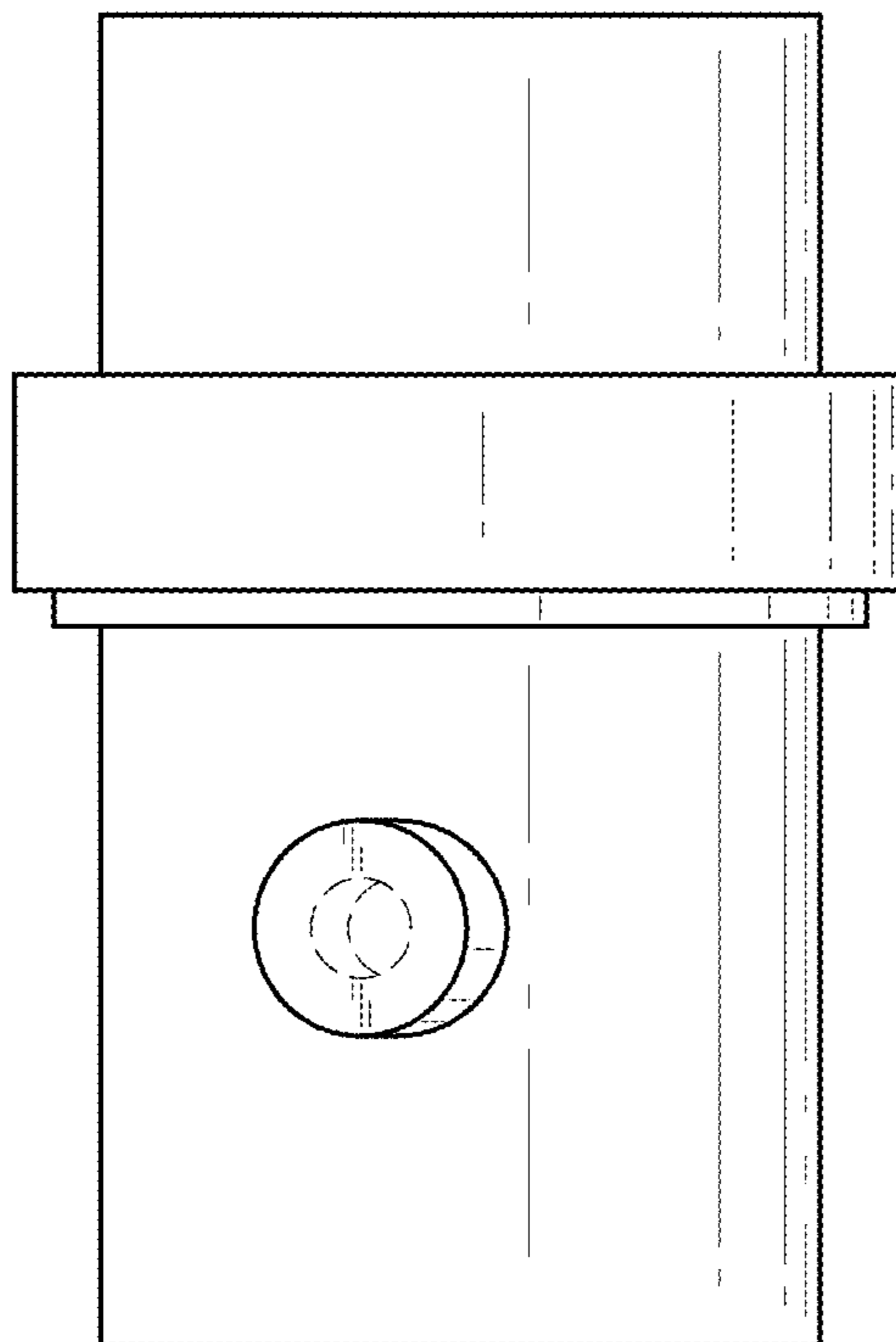


FIG. 4

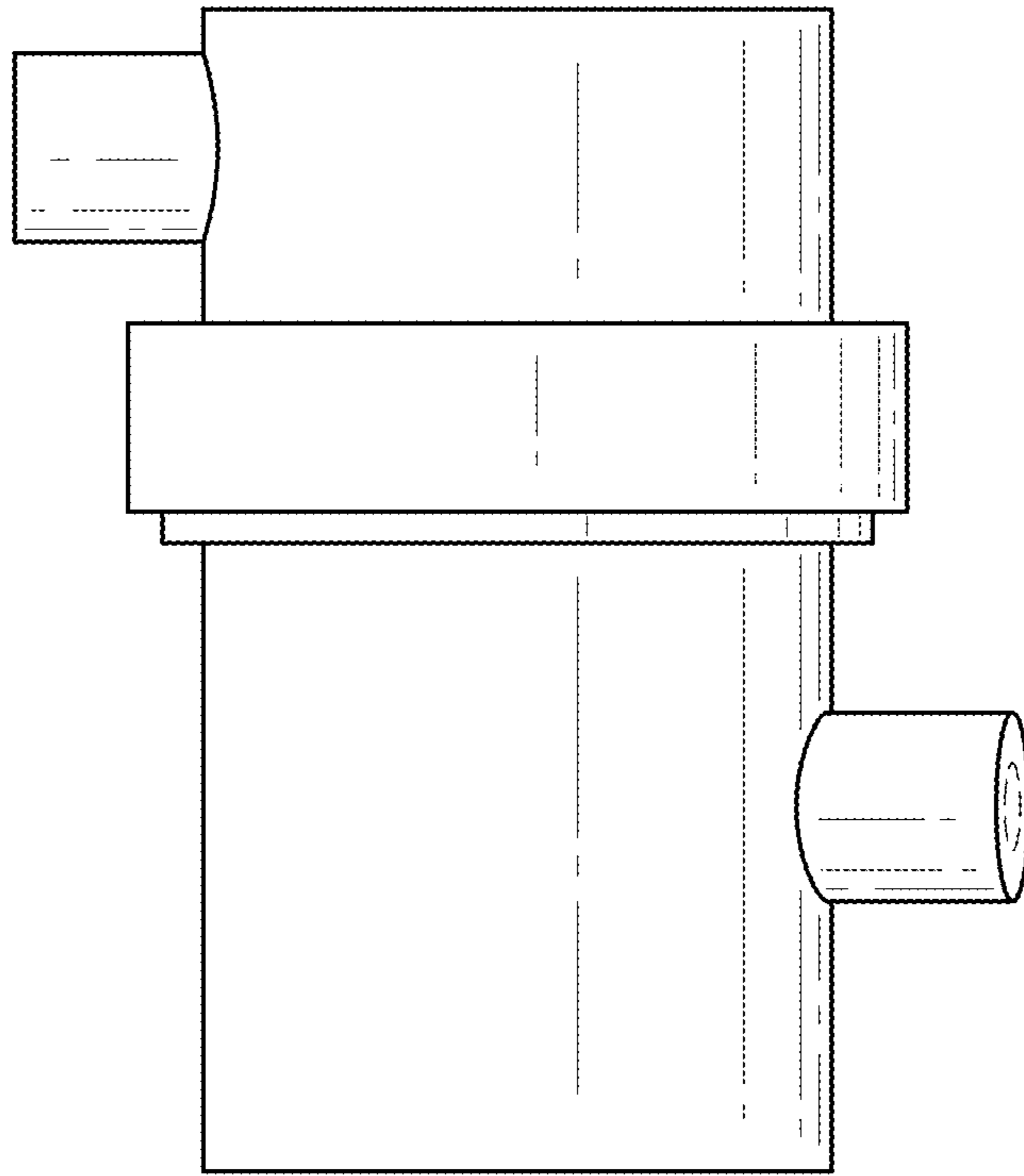


FIG. 5

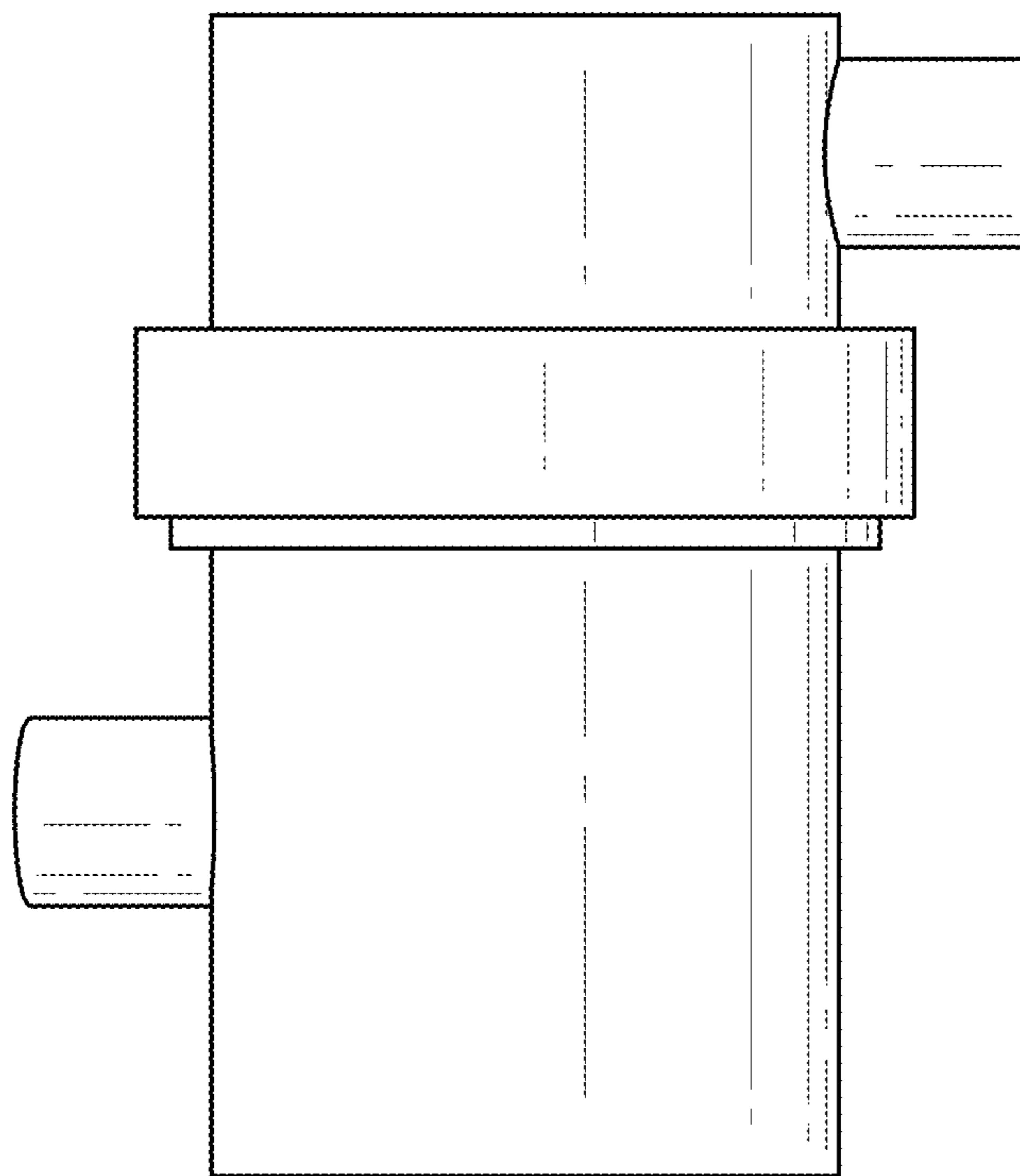


FIG. 6

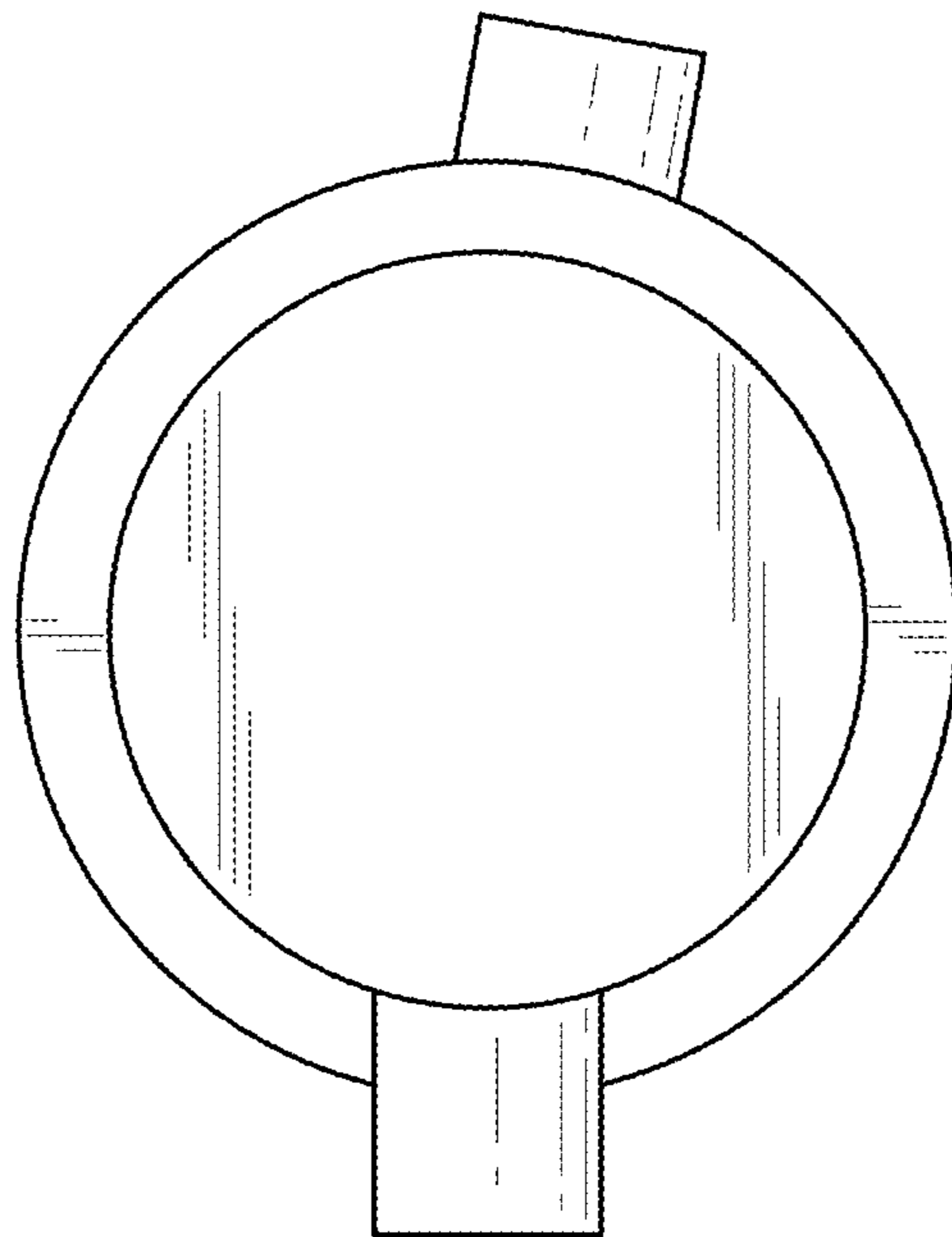


FIG. 7

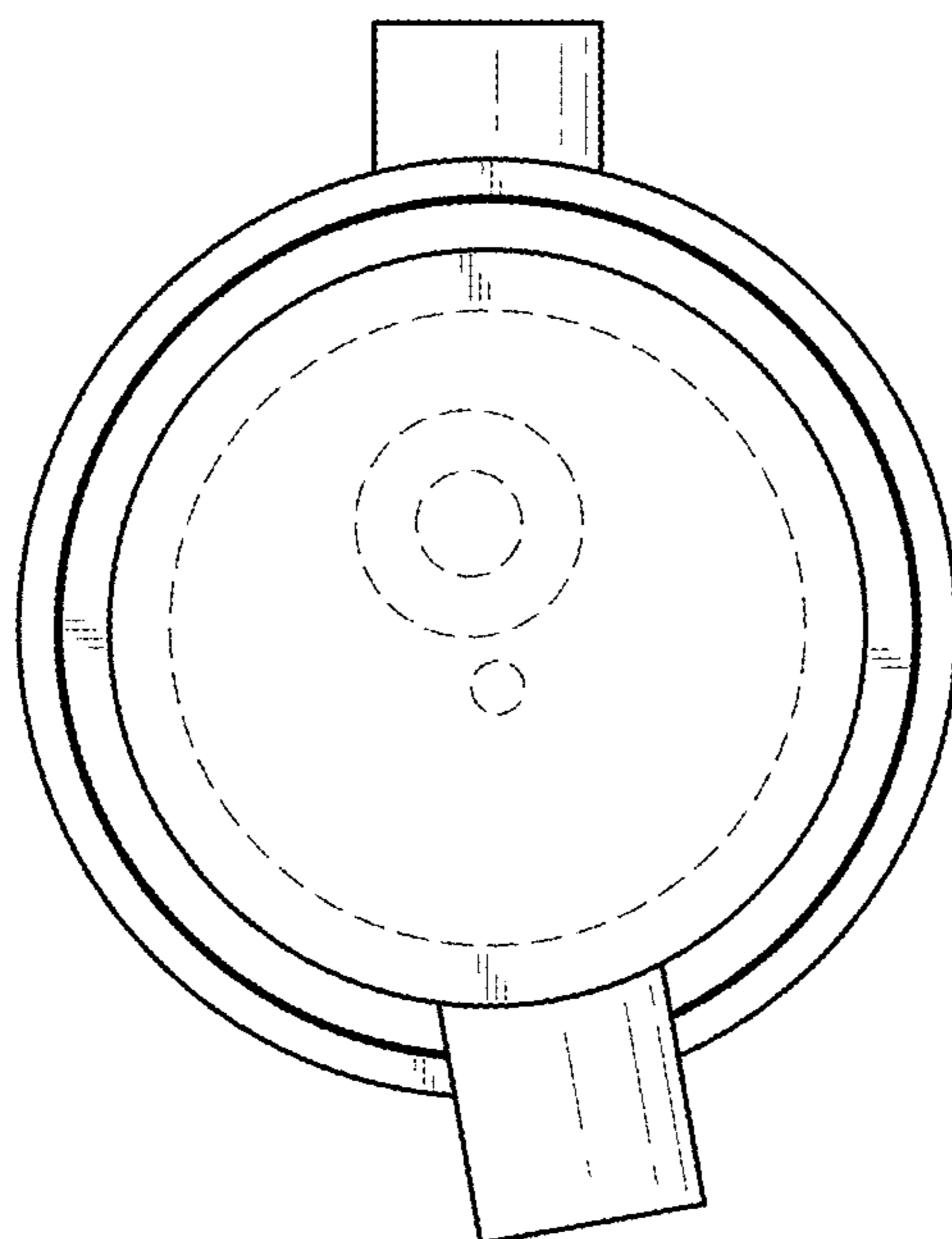


FIG. 8