



US00D973174S

(12) **United States Design Patent**
Wei et al.

(10) **Patent No.:** **US D973,174 S**

(45) **Date of Patent:** **** Dec. 20, 2022**

(54) **WATER PURIFIER**

(71) Applicant: **YUNDA H&H TECH (Tianjin) CO., LTD.**, Tianjin (CN)

(72) Inventors: **Enyu Wei**, Tianjin (CN); **Yinping Yuan**, Tianjin (CN); **Hao Xu**, Tianjin (CN)

(**) Term: **15 Years**

(21) Appl. No.: **29/795,147**

(22) Filed: **Jun. 17, 2021**

(30) **Foreign Application Priority Data**

May 25, 2021 (CN) 202130314132.2

(51) **LOC (13) Cl.** **23-01**

(52) **U.S. Cl.**
USPC **D23/207**

(58) **Field of Classification Search**

USPC D23/207, 208, 209, 355, 362, 363, 364,
D23/365, 366; D7/306, 307, 311, 312

CPC B01D 27/00; B01D 27/08; B01D 35/306;
B01D 35/34; B01D 61/08; B01D 61/081;
B01D 2201/29; B01D 2201/291; B01D
2201/4015; B01D 2221/02; C02F 1/003;
C02F 9/005; C02F 2307/10

See application file for complete search history.

(56) **References Cited**

U.S. PATENT DOCUMENTS

5,131,277 A * 7/1992 Birdsong B01D 61/10
210/97
5,824,215 A * 10/1998 Suh B01D 61/08
210/259
D607,683 S * 1/2010 Choi D7/311
7,909,999 B2 * 3/2011 Noh B01D 35/153
210/236
D643,507 S * 8/2011 Lee D23/207

D678,979 S * 3/2013 Liu D23/207
D682,387 S * 5/2013 Tseng D23/207
D692,525 S * 10/2013 Tseng D23/207
D718,417 S * 11/2014 Harris D23/209
D741,982 S * 10/2015 Maeng D23/207
D825,027 S * 8/2018 He D23/207
D880,654 S * 4/2020 Sheng D23/209
D892,266 S * 8/2020 Zou D23/209
D910,143 S * 2/2021 Cho D23/207
D933,156 S * 10/2021 Cao D23/207
D947,987 S * 4/2022 Du D23/207
2008/0041777 A1 * 2/2008 Lee C02F 9/005
210/232
2009/0289003 A1 * 11/2009 Tsai C02F 9/005
210/232

(Continued)

OTHER PUBLICATIONS

Waterdrop G3 Reverse Osmosis System, Feb. 20, 2019, Amazon, site visited Sep. 16, 2022: <https://www.amazon.com/dp/B07P1XFYJP/> (Year: 2019).*

(Continued)

Primary Examiner — Jack Reickel
Assistant Examiner — Bobby W Jones, II

(57) **CLAIM**

The ornamental design for a water purifier, as shown and described.

DESCRIPTION

FIG. 1 is a front and top perspective view of a water purifier, showing our new design;

FIG. 2 is a rear and bottom perspective view thereof;

FIG. 3 is a front elevation view thereof;

FIG. 4 is a rear elevation view thereof;

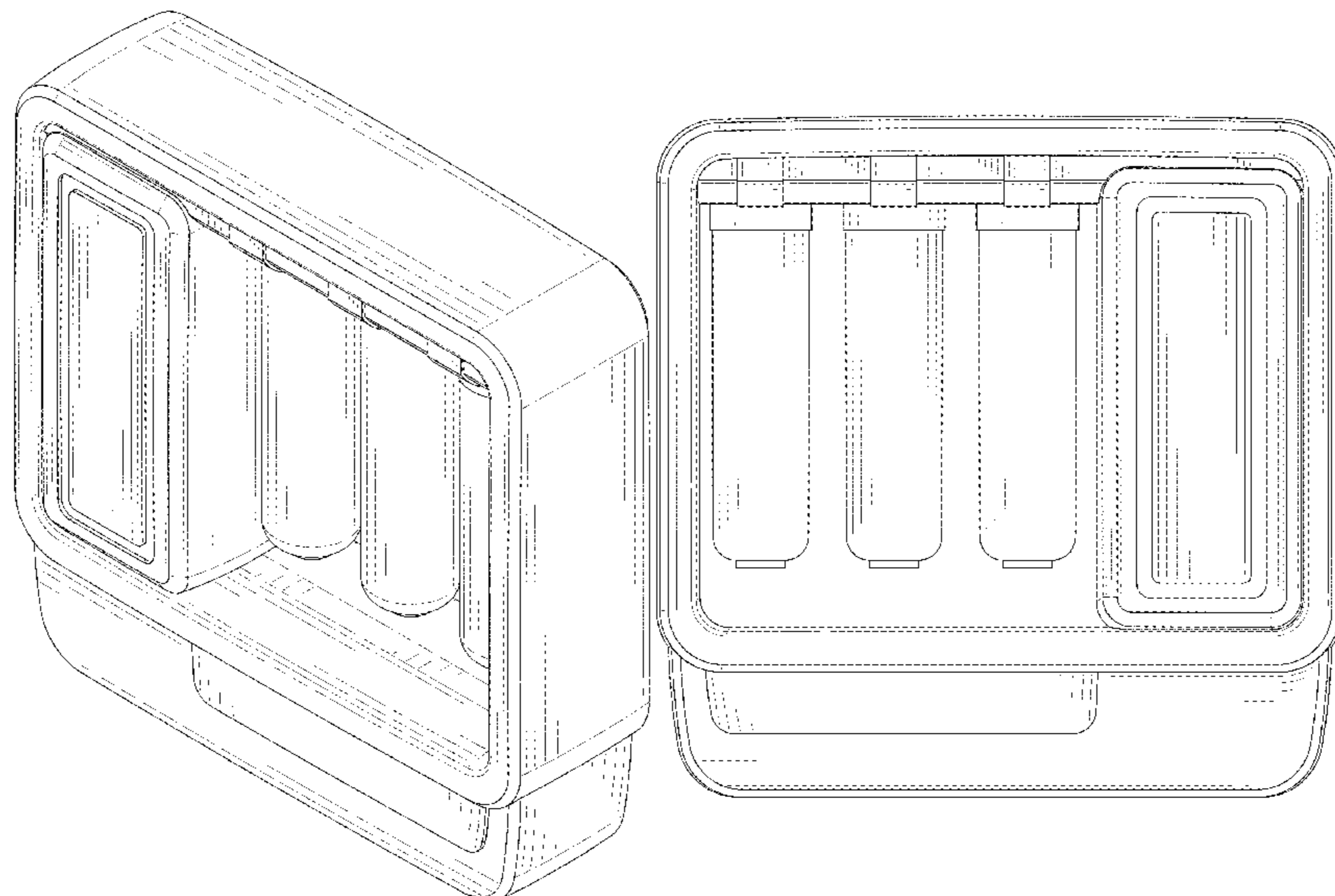
FIG. 5 is a left side elevation view thereof;

FIG. 6 is a right side elevation view thereof;

FIG. 7 is a top plan view thereof; and,

FIG. 8 is a bottom plan view thereof.

1 Claim, 8 Drawing Sheets



(56)

References Cited

U.S. PATENT DOCUMENTS

2015/0251922 A1* 9/2015 Schuster B01D 29/50
210/323.1
2017/0259211 A1* 9/2017 Lin B01D 39/2055
2019/0256392 A1* 8/2019 Chen C02F 9/005
2020/0339438 A1* 10/2020 Lautzenheiser C02F 1/32
2021/0024382 A1* 1/2021 Tally B01D 61/12

OTHER PUBLICATIONS

Pro-Aqua Elite Whole House Water Filter, Nov. 5, 2019, Amazon, site visited Sep. 16, 2022: <https://www.amazon.com/dp/B081297NP1/> (Year: 2019).*

3-Stage 20 Whole House Big Housings Filtration System, Sep. 4, 2019, Amazon, site visited Sep. 16, 2022: <https://www.amazon.com/dp/B07XG25NCC/> (Year: 2019).*

Vortopt Reverse Osmosis Water Filtration System, Apr. 28, 2021, Amazon, site visited Sep. 16, 2022: <https://www.amazon.com/dp/B093PTSYQX/> (Year: 2021).*

* cited by examiner

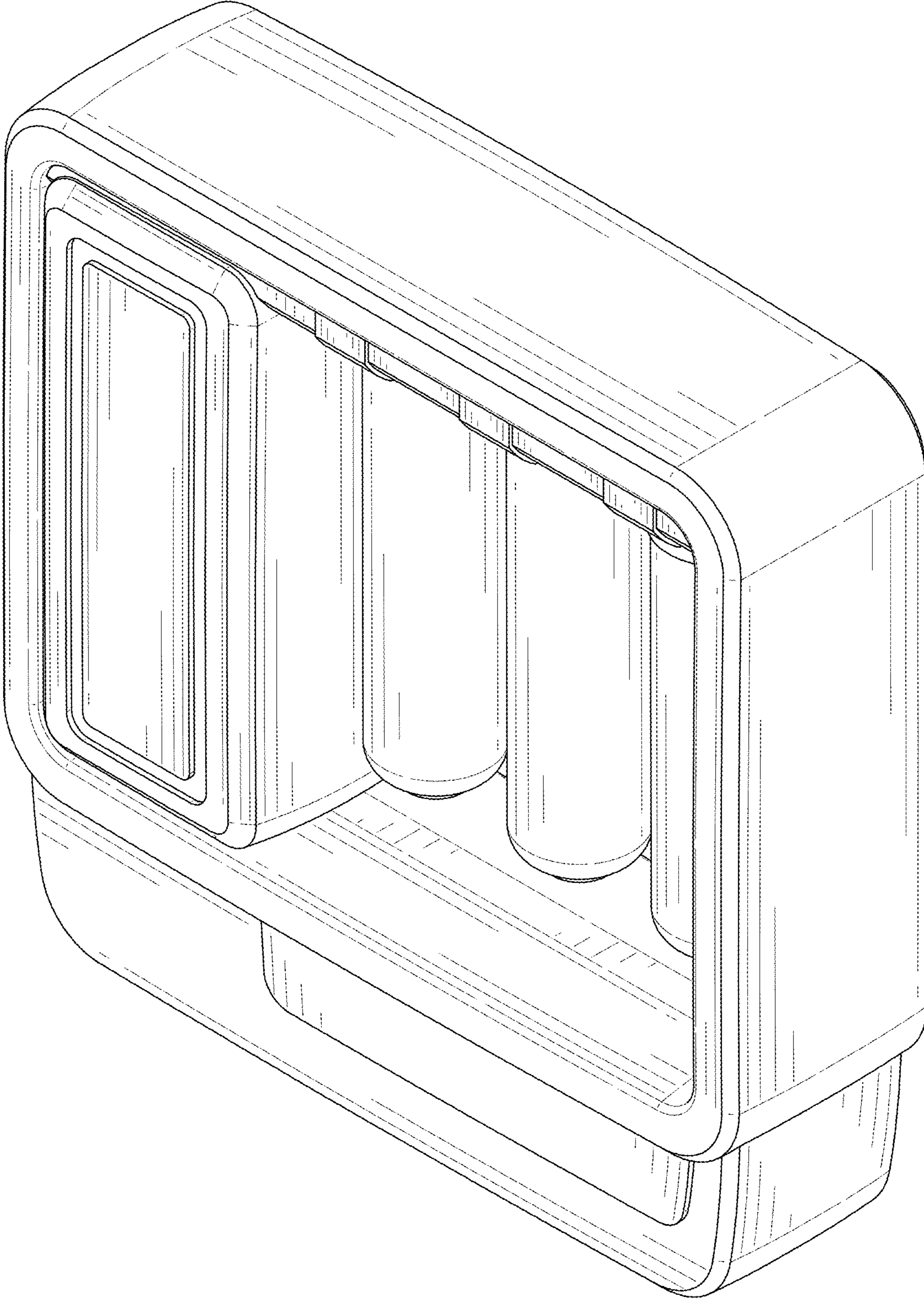


FIG. 1

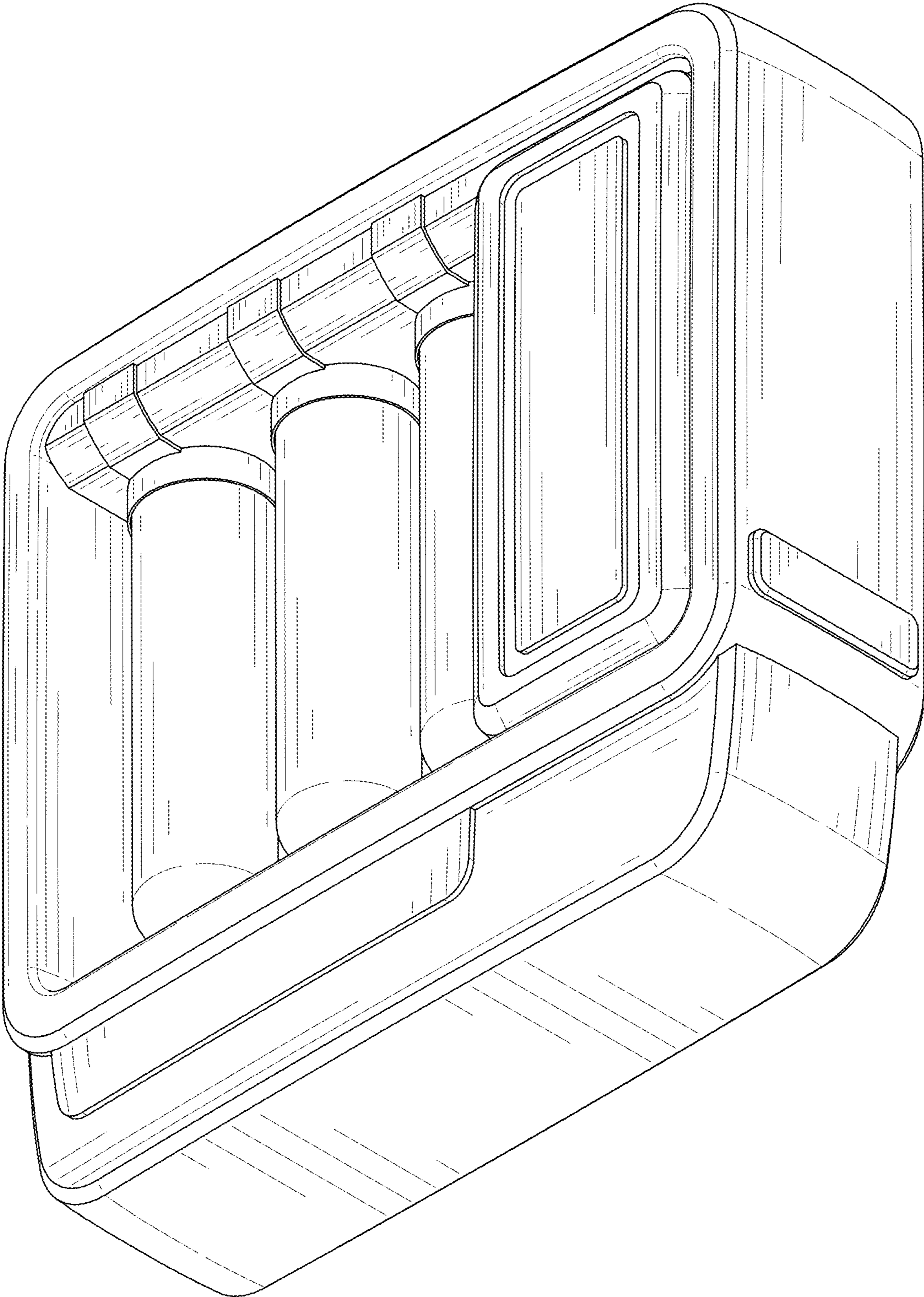


FIG. 2

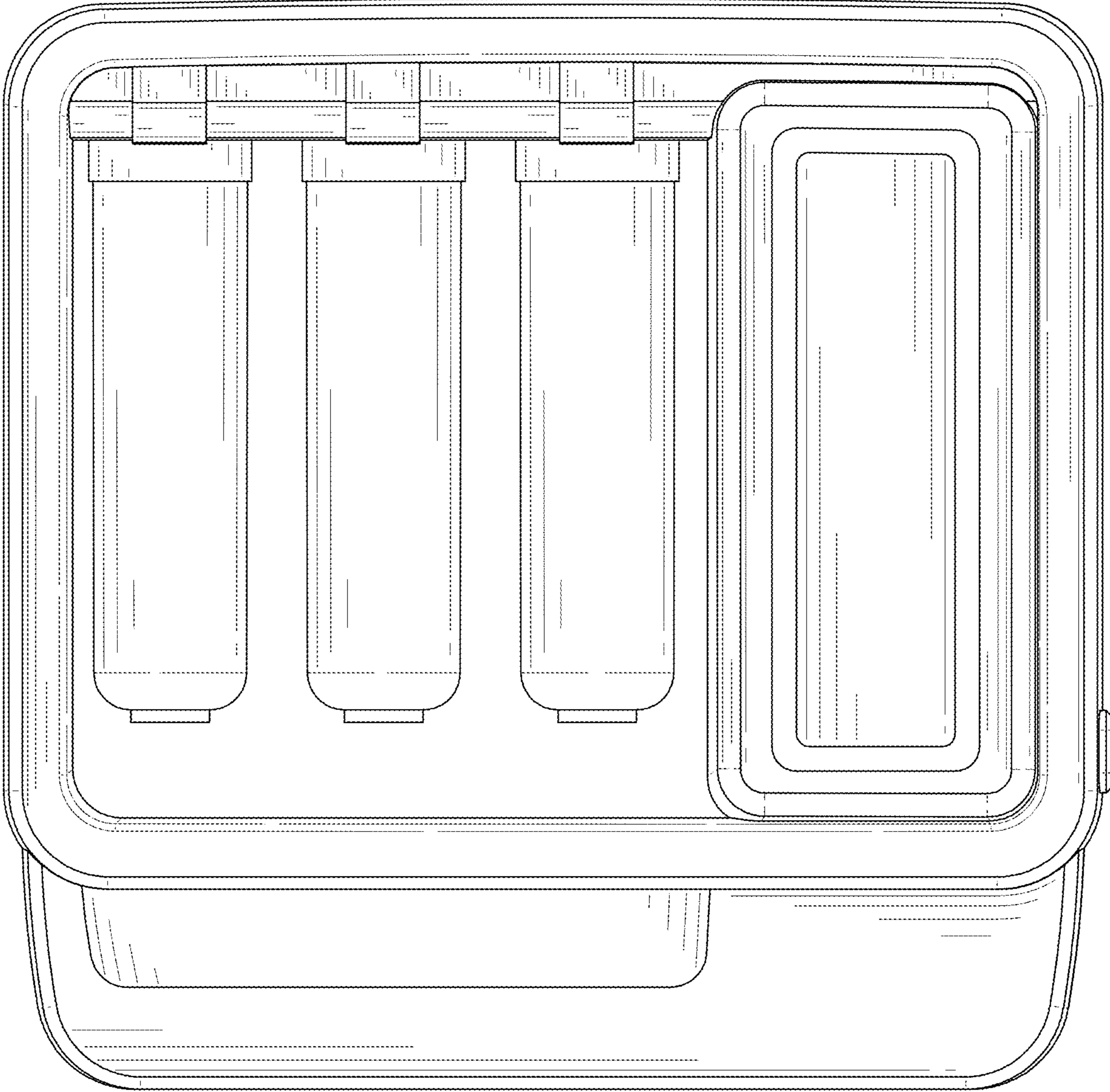


FIG. 3

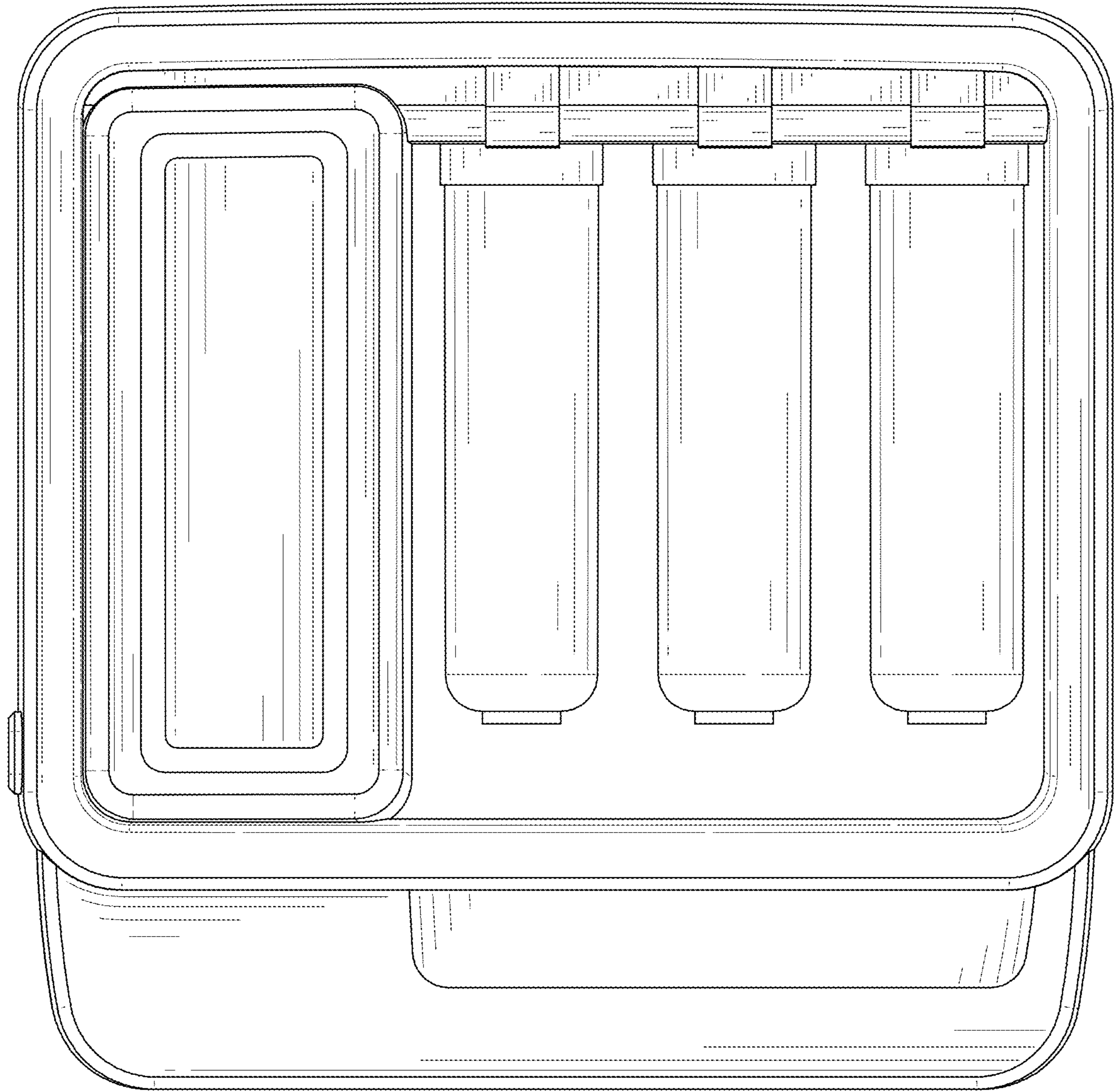


FIG. 4

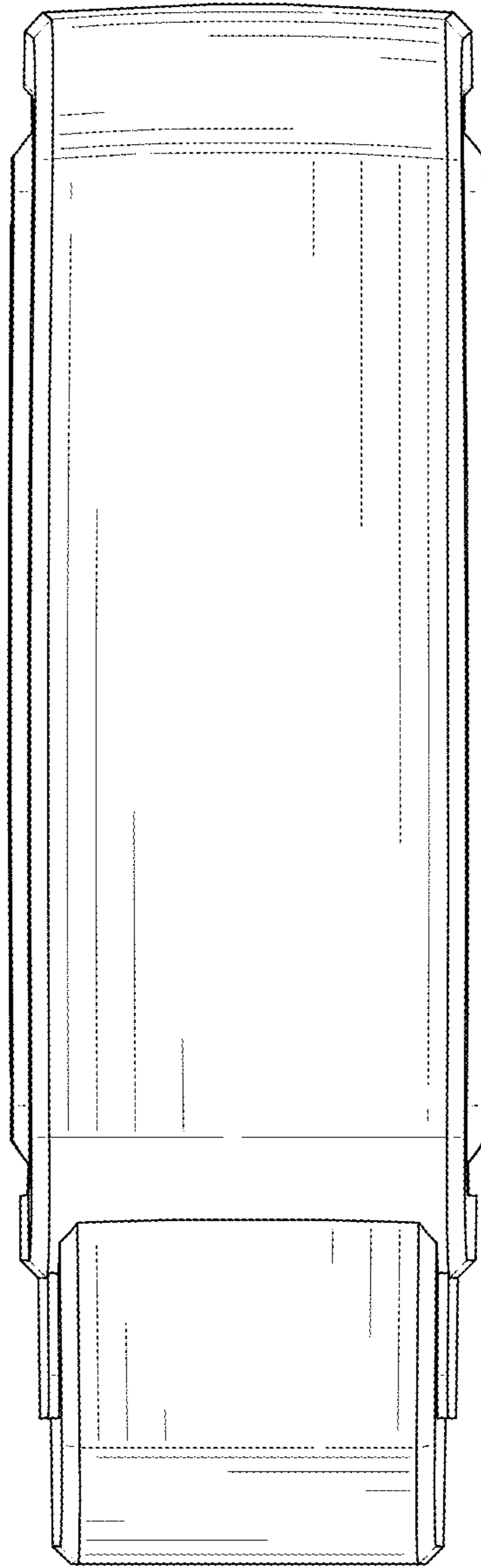


FIG. 5

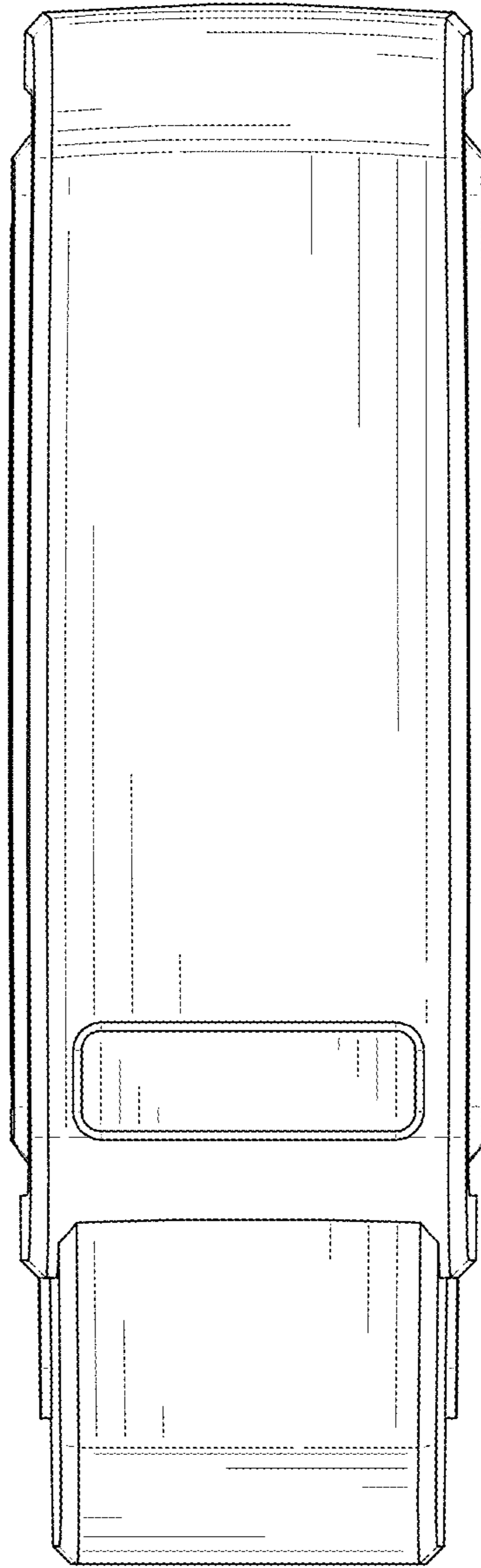


FIG. 6

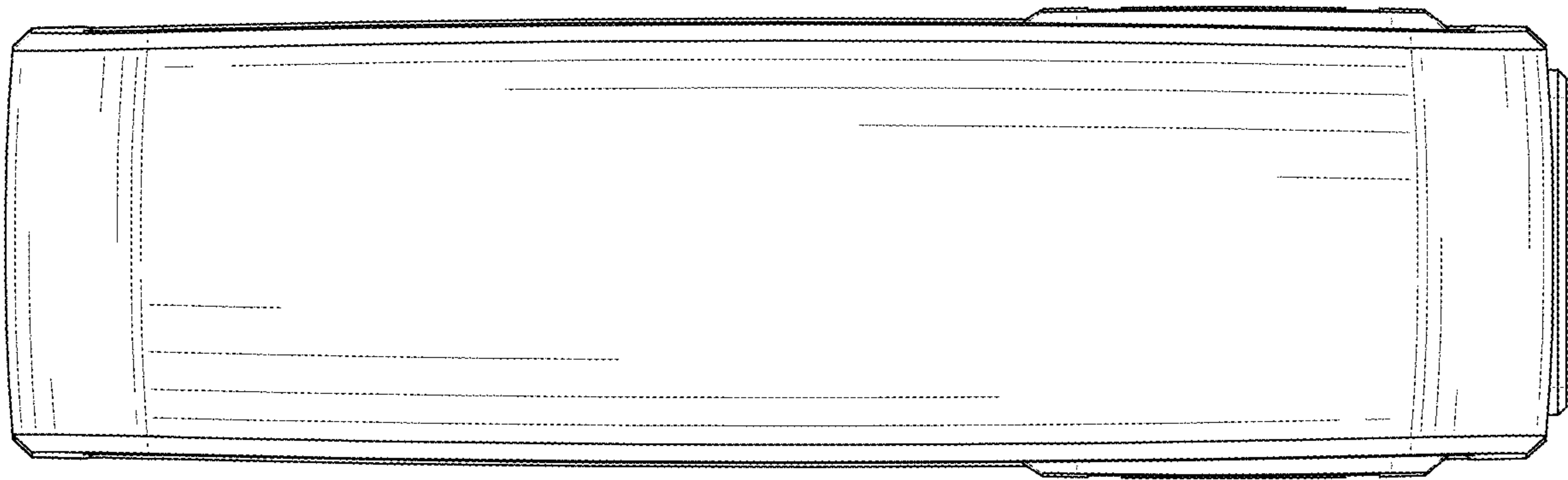


FIG. 7

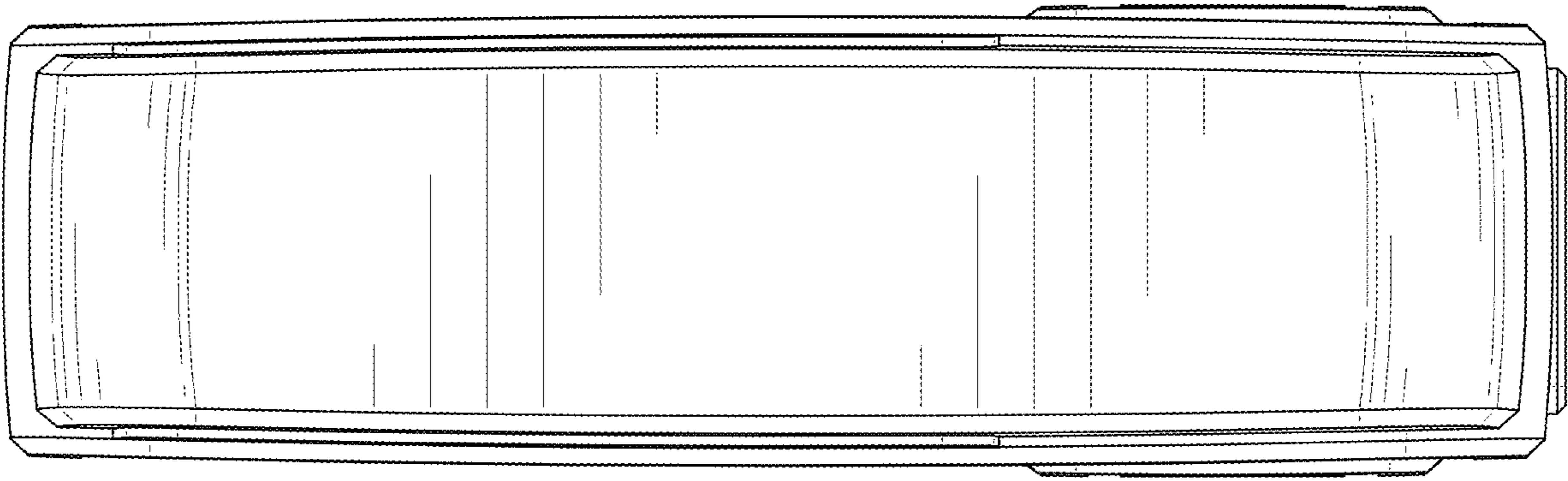


FIG. 8