



US00D973173S

(12) **United States Design Patent**
Wei et al.

(10) **Patent No.:** **US D973,173 S**
(45) **Date of Patent:** **** Dec. 20, 2022**

(54) **WATER PURIFIER**

(71) Applicant: **YUNDA H&H TECH (Tianjin) CO., LTD.**, Tianjin (CN)

(72) Inventors: **Enyu Wei**, Tianjin (CN); **Yinping Yuan**, Tianjin (CN); **Hao Xu**, Tianjin (CN)

(**) Term: **15 Years**

(21) Appl. No.: **29/795,144**

(22) Filed: **Jun. 17, 2021**

(51) **LOC (13) Cl.** **23-01**

(52) **U.S. Cl.**
USPC **D23/207**

(58) **Field of Classification Search**
USPC D23/207, 208, 209, 355, 362, 363, 364, D23/365, 366; D7/306, 307, 311, 312
CPC B01D 27/00; B01D 27/08; B01D 35/306; B01D 35/34; B01D 61/08; B01D 61/081; B01D 2201/29; B01D 2201/291; B01D 2201/4015; B01D 2221/02; C02F 1/003; C02F 9/005; C02F 2307/10

See application file for complete search history.

(56) **References Cited**

U.S. PATENT DOCUMENTS

5,131,277	A *	7/1992	Birdsong	B01D 61/10 210/97
5,824,215	A *	10/1998	Suh	B01D 61/08 210/259
D607,683	S *	1/2010	Choi	D7/311
7,909,999	B2 *	3/2011	Noh	B01D 35/153 210/236
D643,507	S *	8/2011	Lee	D23/207
D678,979	S *	3/2013	Liu	D23/207
D682,387	S *	5/2013	Tseng	D23/207
D692,525	S *	10/2013	Tseng	D23/207
D718,417	S *	11/2014	Harris	D23/209
D741,982	S *	10/2015	Maeng	D23/207

D825,027	S *	8/2018	He	D23/207
D880,654	S *	4/2020	Sheng	D23/209
D892,266	S *	8/2020	Zou	D23/209
D910,143	S *	2/2021	Cho	D23/207
D933,156	S *	10/2021	Cao	D23/207
D947,987	S *	4/2022	Du	D23/207
2008/0041777	A1 *	2/2008	Lee	C02F 9/005 210/232
2009/0289003	A1 *	11/2009	Tsai	C02F 9/005 210/232
2015/0251922	A1 *	9/2015	Schuster	B01D 29/50 210/323.1
2017/0259211	A1 *	9/2017	Lin	B01D 39/2055
2019/0256392	A1 *	8/2019	Chen	C02F 9/005

(Continued)

OTHER PUBLICATIONS

Waterdrop G3 Reverse Osmosis System, Feb. 20, 2019, Amazon, site visited Sep. 16, 2022: <https://www.amazon.com/dp/B07P1XFYJP/> (Year: 2019).*

(Continued)

Primary Examiner — Jack Reickel
Assistant Examiner — Bobby W Jones, II

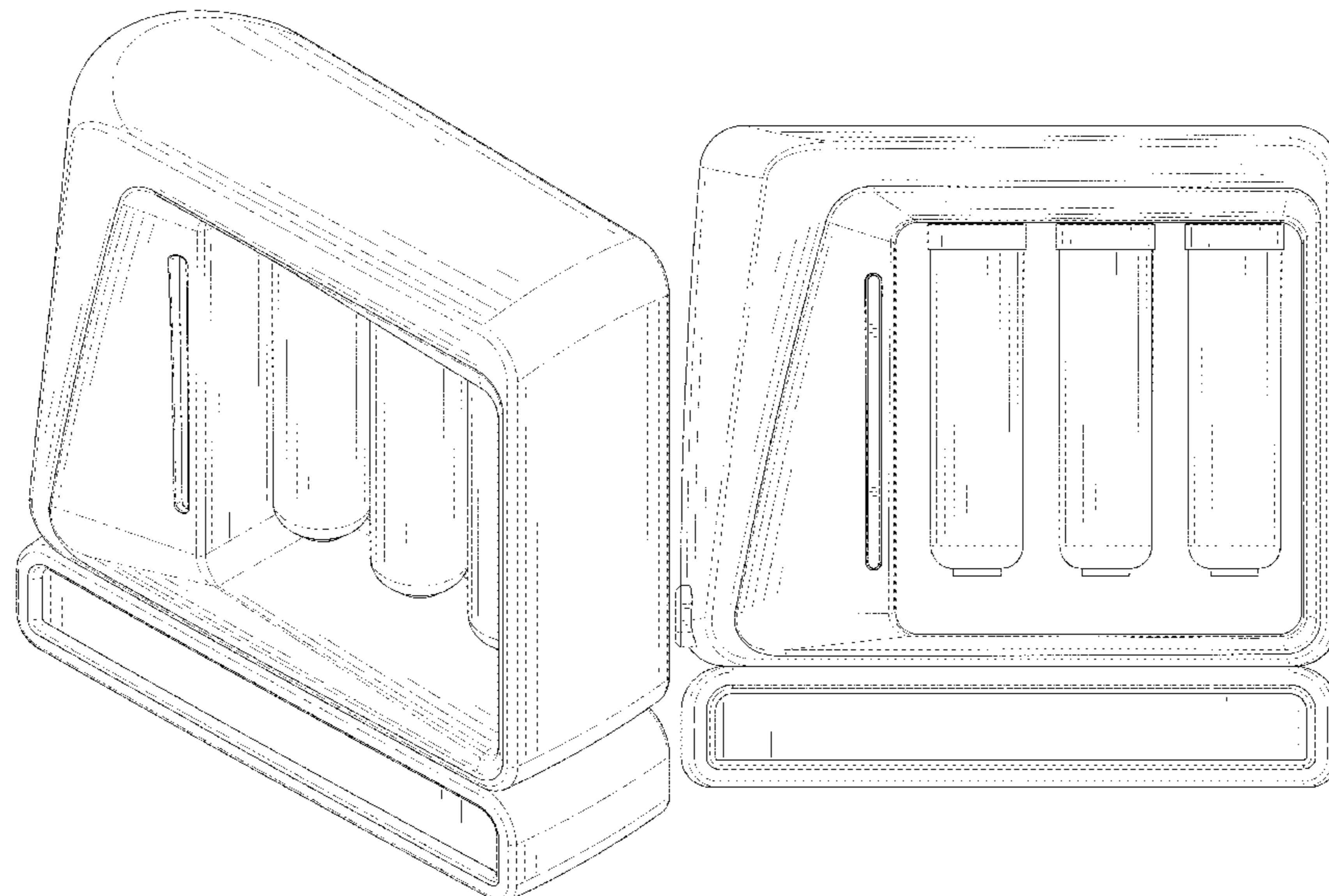
(57) **CLAIM**

The ornamental design for a water purifier, as shown and described.

DESCRIPTION

FIG. 1 is a front and top perspective view of a water purifier, showing our new design;
FIG. 2 is a rear and bottom perspective view thereof;
FIG. 3 is a front elevation view thereof;
FIG. 4 is a rear elevation view thereof;
FIG. 5 is a left side elevation view thereof;
FIG. 6 is a right side elevation view thereof;
FIG. 7 is a top plan view thereof; and,
FIG. 8 is a bottom plan view thereof.

1 Claim, 8 Drawing Sheets



(56)

References Cited

U.S. PATENT DOCUMENTS

2020/0339438 A1* 10/2020 Lautzenheiser C02F 1/32
2021/0024382 A1* 1/2021 Tally B01D 61/12

OTHER PUBLICATIONS

Pro-Aqua Elite Whole House Water Filter, Nov. 5, 2019, Amazon, site visited Sep. 16, 2022: <https://www.amazon.com/dp/B081297NP1/> (Year: 2019).*

3-Stage 20 Whole House Big Housings Filtration System, Sep. 4, 2019, Amazon, site visited Sep. 16, 2022: <https://www.amazon.com/dp/B07XG25NCC/> (Year: 2019).*

Vortopt Reverse Osmosis Water Filtration System, Apr. 28, 2021, Amazon, site visited Sep. 16, 2022: <https://www.amazon.com/dp/B093PTSYQX/> (Year: 2021).*

* cited by examiner

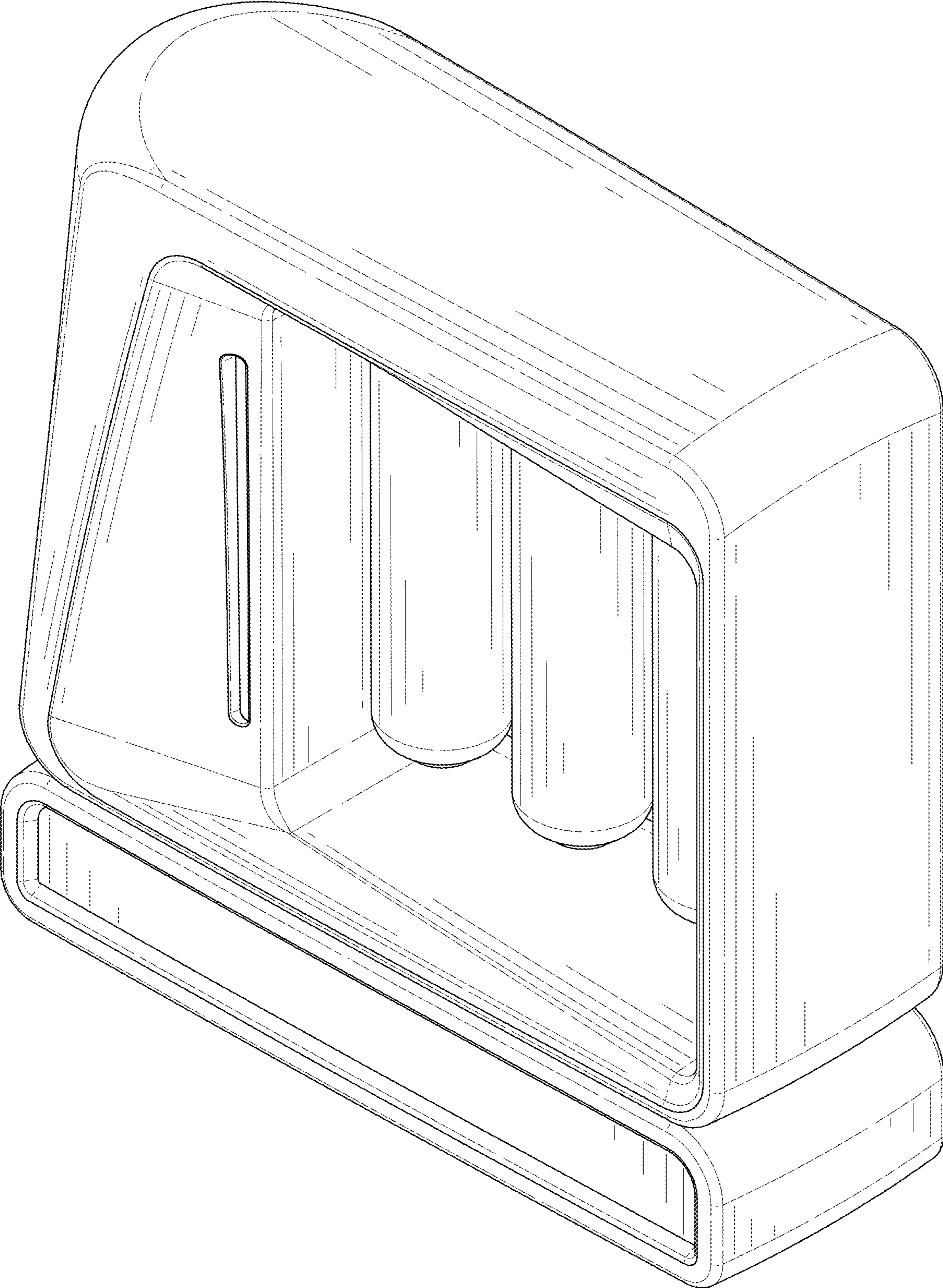


FIG. 1

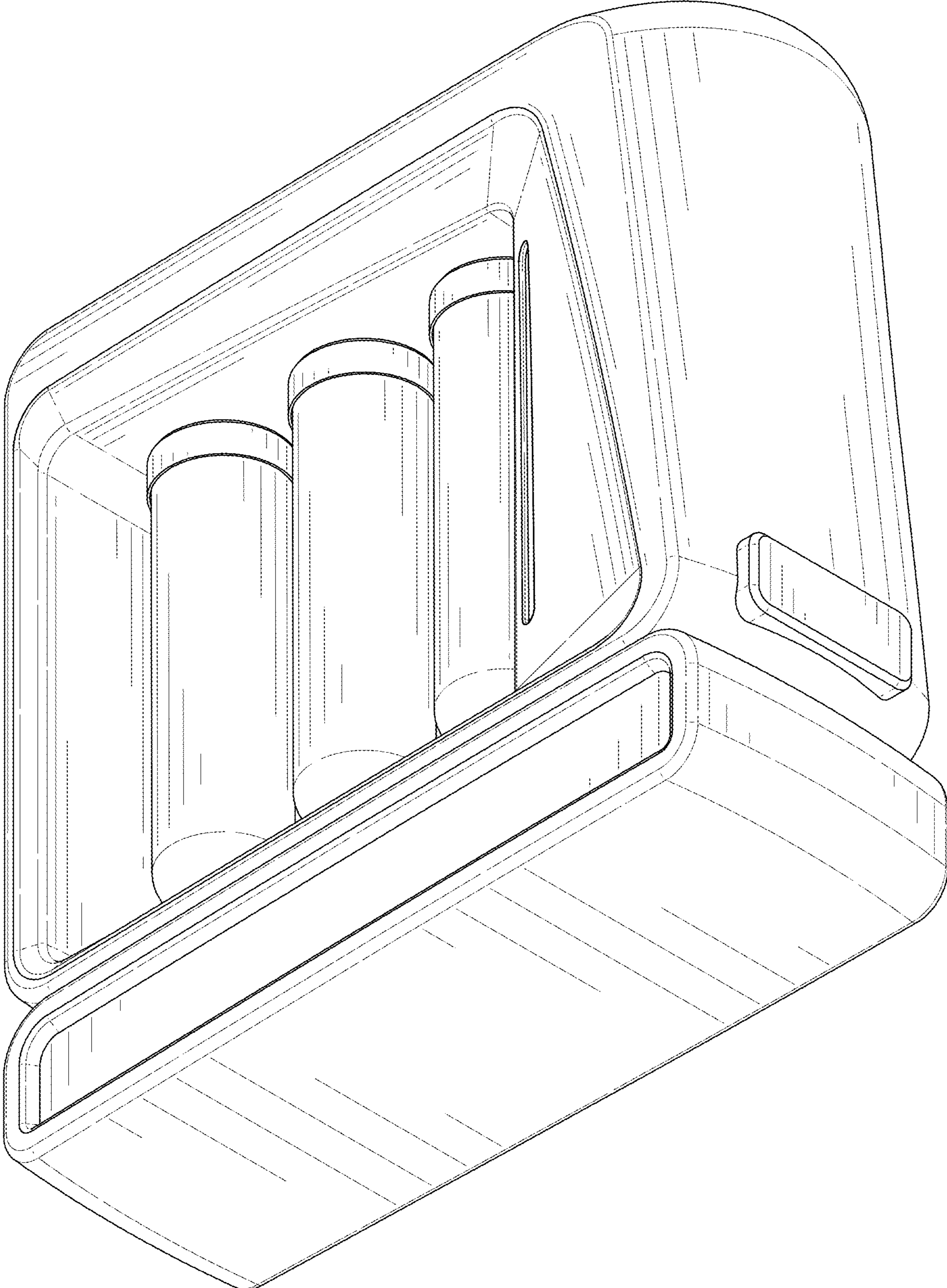


FIG. 2

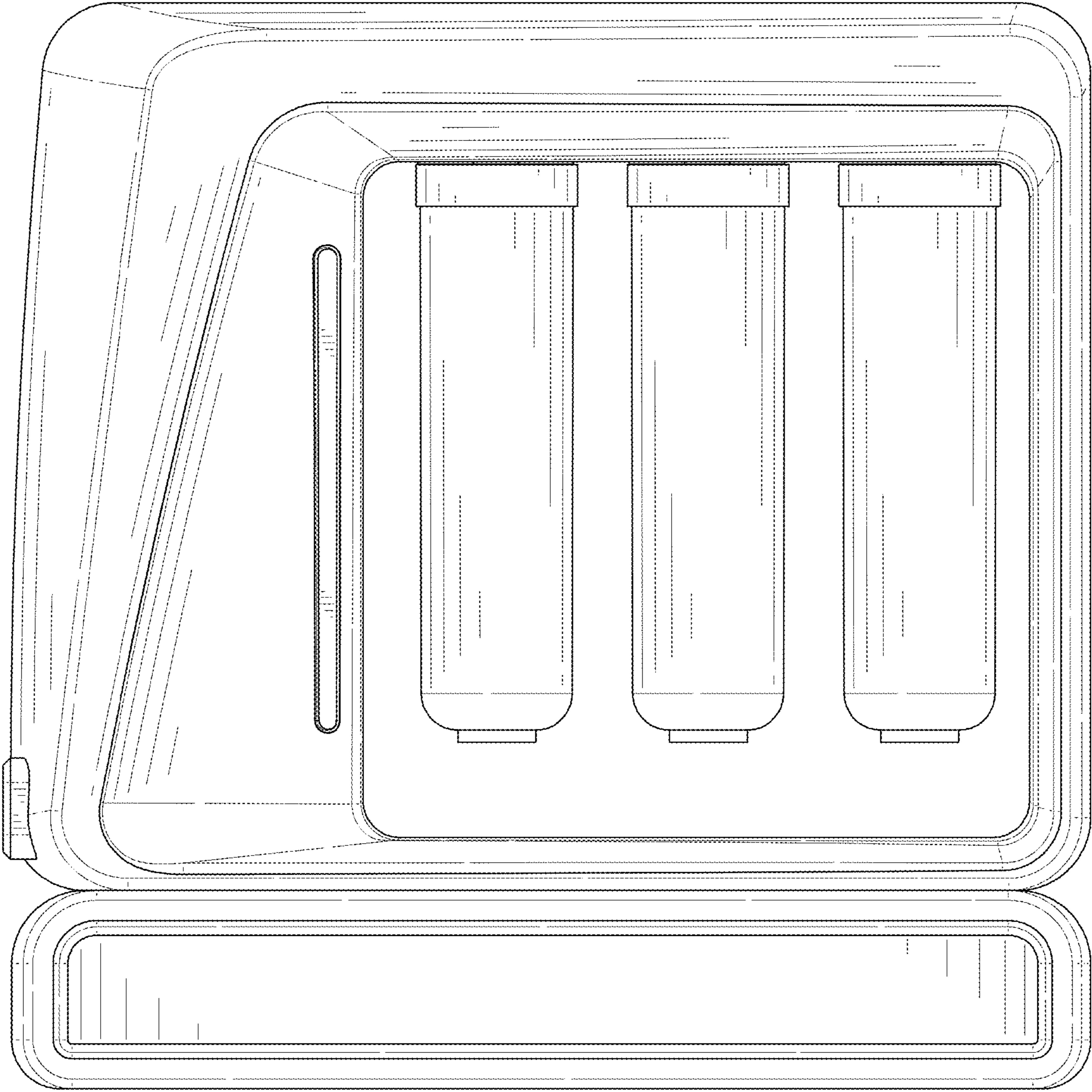


FIG. 3

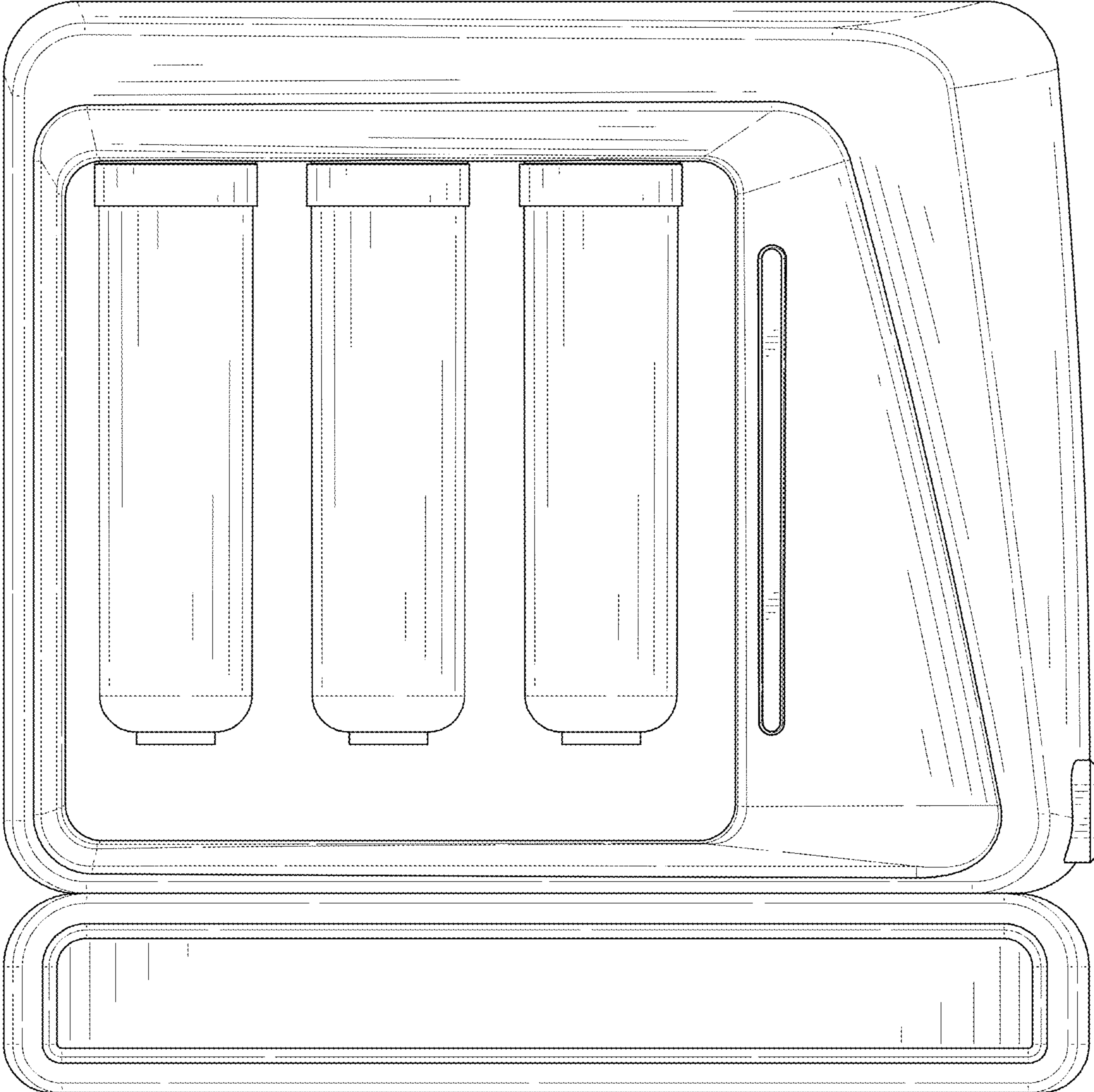


FIG. 4

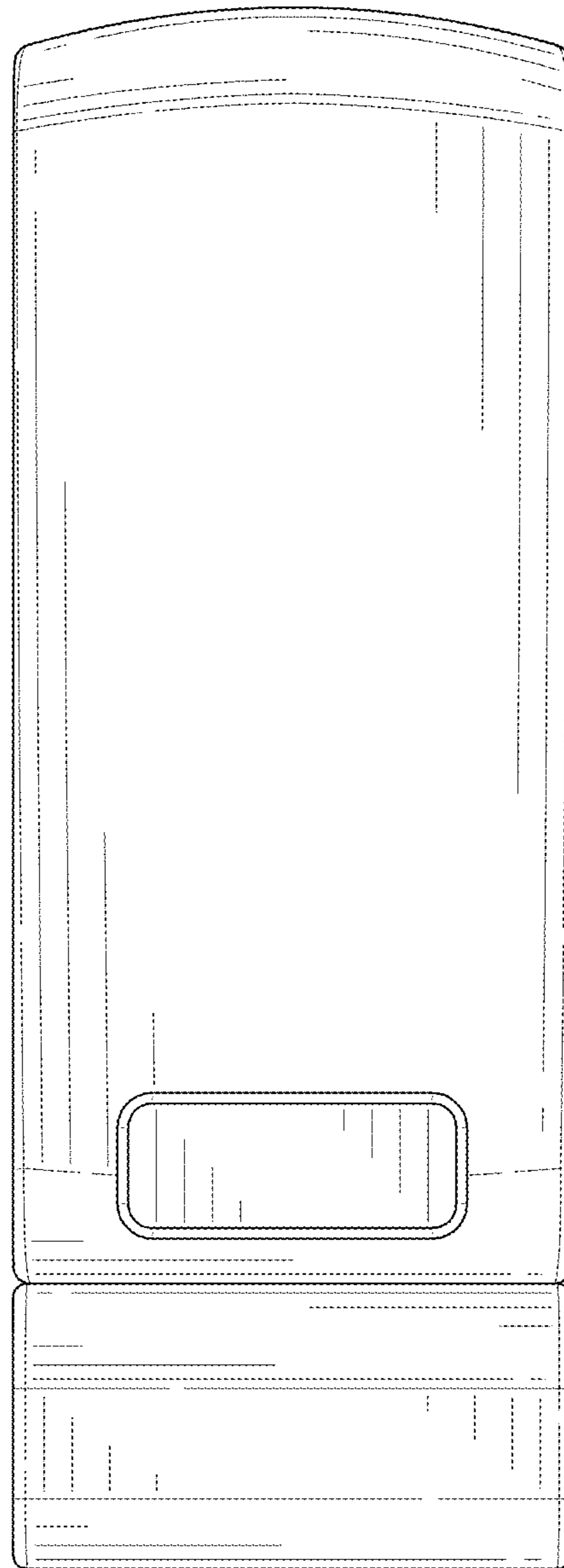


FIG. 5

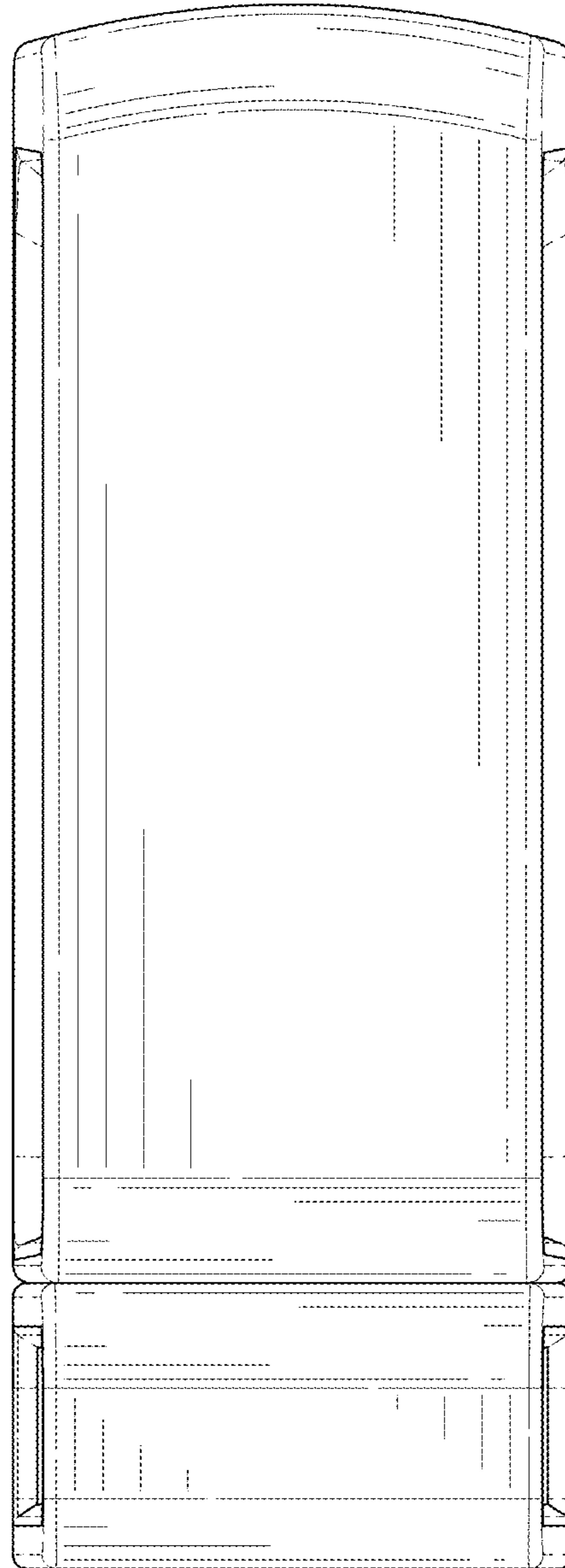


FIG. 6

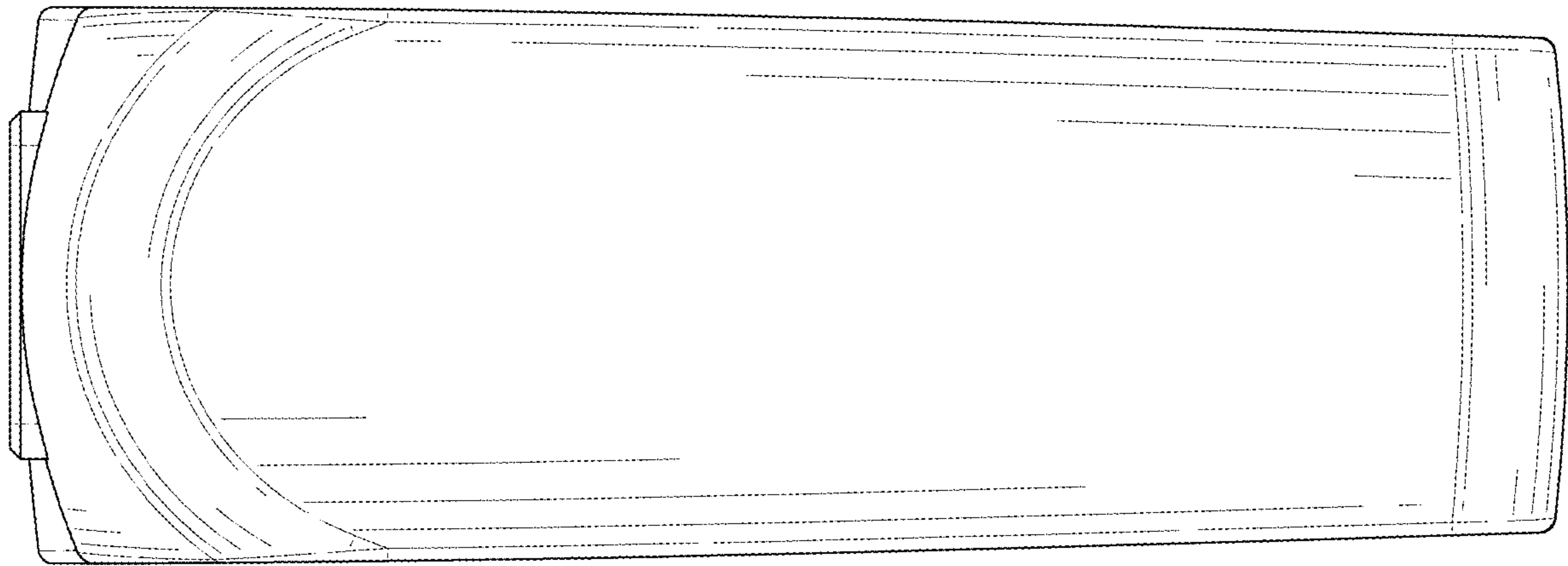


FIG. 7

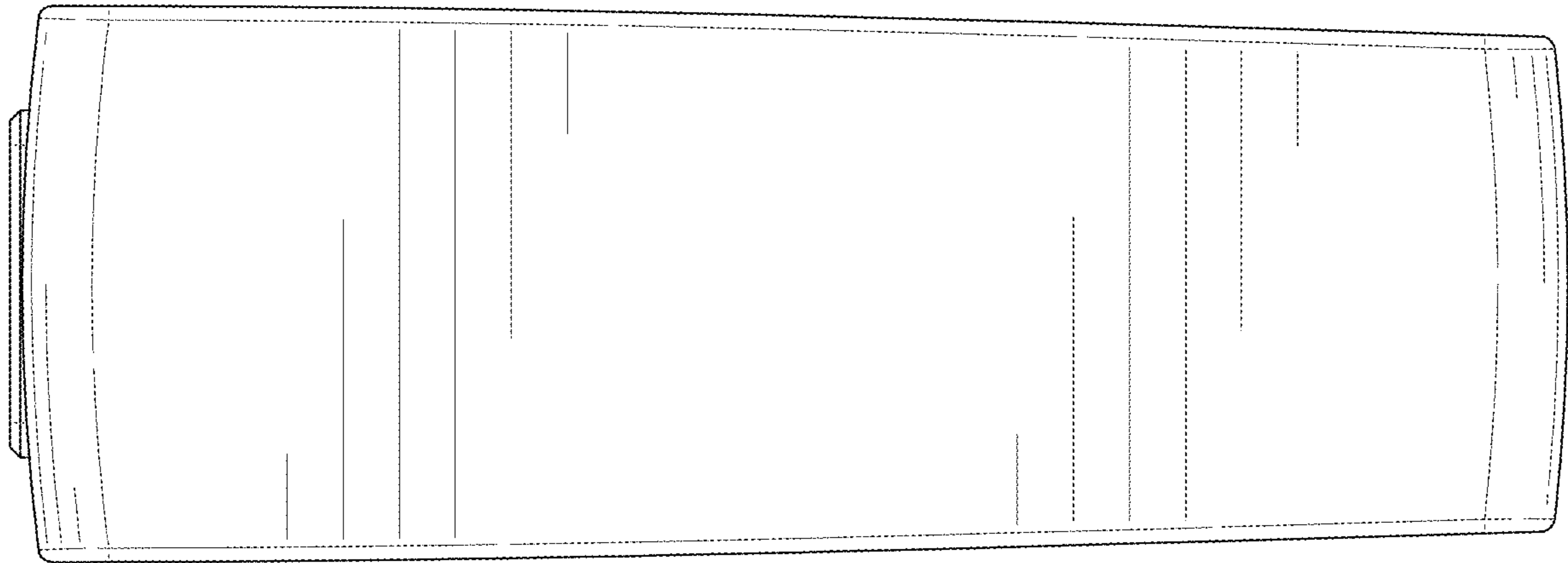


FIG. 8