

US00D973172S

(12) **United States Design Patent** (10) **Patent No.:** **US D973,172 S**  
**Zhang** (45) **Date of Patent:** **\*\* Dec. 20, 2022**

(54) **TWO-IN-ONE FOLDING ELECTRIC MOSQUITO RACKET**

(71) Applicant: **Yongkang Lanzhe Network Technology Co., Ltd., Yongkang (CN)**

(72) Inventor: **Yulan Zhang, Yongkang (CN)**

(\*\*) Term: **15 Years**

(21) Appl. No.: **29/821,628**

(22) Filed: **Dec. 31, 2021**

(51) **LOC (13) Cl.** ..... **22-06**

(52) **U.S. Cl.**  
USPC ..... **D22/123; D22/124**

(58) **Field of Classification Search**  
USPC ..... **D22/123-124; 43/137; D3/1, 3-4; D21/731**

CPC ..... **A01M 3/02; A01M 3/025**  
See application file for complete search history.

(56) **References Cited**

**U.S. PATENT DOCUMENTS**

|              |      |         |            |       |                       |
|--------------|------|---------|------------|-------|-----------------------|
| 2,881,554    | A *  | 4/1959  | Laine      | ..... | A01M 3/025<br>D22/124 |
| 2,911,250    | A *  | 11/1959 | Lossius    | ..... | A01M 3/02<br>D22/124  |
| D294,639     | S *  | 3/1988  | Croll      | ..... | D21/731               |
| 5,519,963    | A *  | 5/1996  | Shih       | ..... | A01M 1/223<br>43/112  |
| D372,116     | S *  | 7/1996  | Kitinoja   | ..... | D3/1                  |
| 5,533,298    | A *  | 7/1996  | Teng       | ..... | A01M 3/025<br>43/112  |
| D378,321     | S *  | 3/1997  | Fry, Jr.   | ..... | D3/1                  |
| D392,457     | S *  | 3/1998  | Smith      | ..... | D3/4                  |
| 6,105,306    | A *  | 8/2000  | Teng       | ..... | A01M 1/223<br>43/112  |
| 9,661,838    | B1 * | 5/2017  | Ho         | ..... | A01M 19/00            |
| D823,982     | S *  | 7/2018  | Amash      | ..... | D22/124               |
| D918,333     | S    | 5/2021  | Qiu        |       |                       |
| D925,692     | S    | 7/2021  | Huang      |       |                       |
| D946,692     | S *  | 3/2022  | Rubel      | ..... | D22/124               |
| 2014/0165454 | A1 * | 6/2014  | Gordon, IV | ..... | A01M 3/025<br>43/137  |

**OTHER PUBLICATIONS**

[https://www.amazon.com/Electric-Homesuit-Rechargeable-Powerful-Mosquito/dp/B09Z6RSMKT/ref=sr\\_1\\_25?crd=1ZZ0FR TOKMPX&keywords=two+in+one+electric+mosquito+racket&qid=1659709917&prefix=%2Caps%2C47&sr=8-25](https://www.amazon.com/Electric-Homesuit-Rechargeable-Powerful-Mosquito/dp/B09Z6RSMKT/ref=sr_1_25?crd=1ZZ0FR TOKMPX&keywords=two+in+one+electric+mosquito+racket&qid=1659709917&prefix=%2Caps%2C47&sr=8-25) No date listed.\*

[https://www.amazon.com/Meltryllis-Electric-Rechargeable-Racquet-Backyard/dp/B0B4DNKGCV/ref=sr\\_1\\_76?crd=1ZZ0FR TOKMPX&keywords=two+in+one+electric+mosquito+racket&qid=1659723713&prefix=%2Caps%2C47&sr=8-76](https://www.amazon.com/Meltryllis-Electric-Rechargeable-Racquet-Backyard/dp/B0B4DNKGCV/ref=sr_1_76?crd=1ZZ0FR TOKMPX&keywords=two+in+one+electric+mosquito+racket&qid=1659723713&prefix=%2Caps%2C47&sr=8-76) No date listed.\*

[https://ozerty-usa.com/products/2-in-1-electric-mosquito-swatter-led-lamp?currency=USD&variant=42269407379613&utm\\_source=Google&utm\\_medium=Shopping&utm\\_campaign=Smart%20-%20MARGIN&gclid=EAIaIQobChMIkqHi4LW3-QIVSebjBx2I2wGBEAQYDyABEgKIYvD\\_BwE](https://ozerty-usa.com/products/2-in-1-electric-mosquito-swatter-led-lamp?currency=USD&variant=42269407379613&utm_source=Google&utm_medium=Shopping&utm_campaign=Smart%20-%20MARGIN&gclid=EAIaIQobChMIkqHi4LW3-QIVSebjBx2I2wGBEAQYDyABEgKIYvD_BwE) 2022.\*

\* cited by examiner

*Primary Examiner* — Catherine R Oliver-Garcia  
(74) *Attorney, Agent, or Firm* — Che-Yang Chen; Law Office of Michael Chen

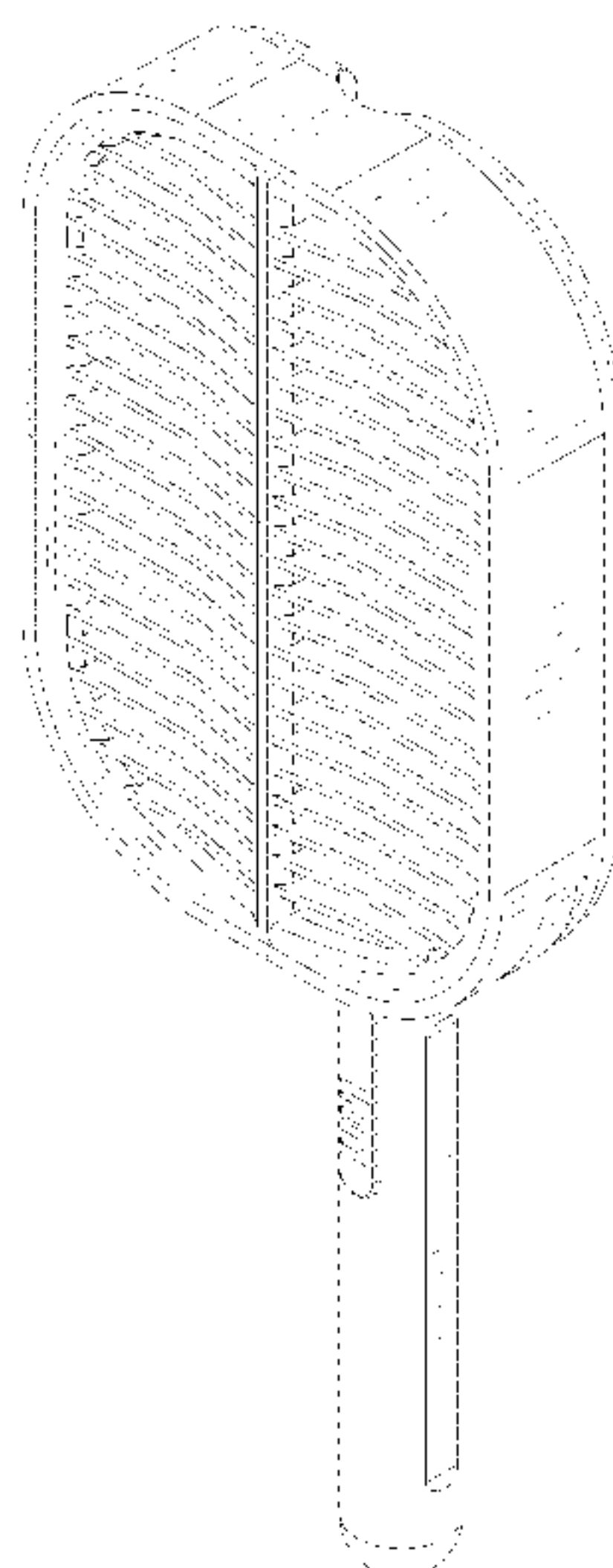
(57) **CLAIM**

The ornamental design for a two-in-one folding electric mosquito racket, as shown and described.

**DESCRIPTION**

FIG. 1 is a perspective view of the two-in-one folding electric mosquito racket showing my new design;  
 FIG. 2 is a perspective view thereof from another angle;  
 FIG. 3 is a perspective view thereof when the two-in-one folding electric mosquito racket is separated;  
 FIG. 4 is a front elevational view thereof;  
 FIG. 5 is a rear elevational view thereof;  
 FIG. 6 is a left side elevational view thereof;  
 FIG. 7 is a right side elevational view thereof;  
 FIG. 8 is a top plan view thereof; and,  
 FIG. 9 is a bottom plan view thereof.

**1 Claim, 9 Drawing Sheets**



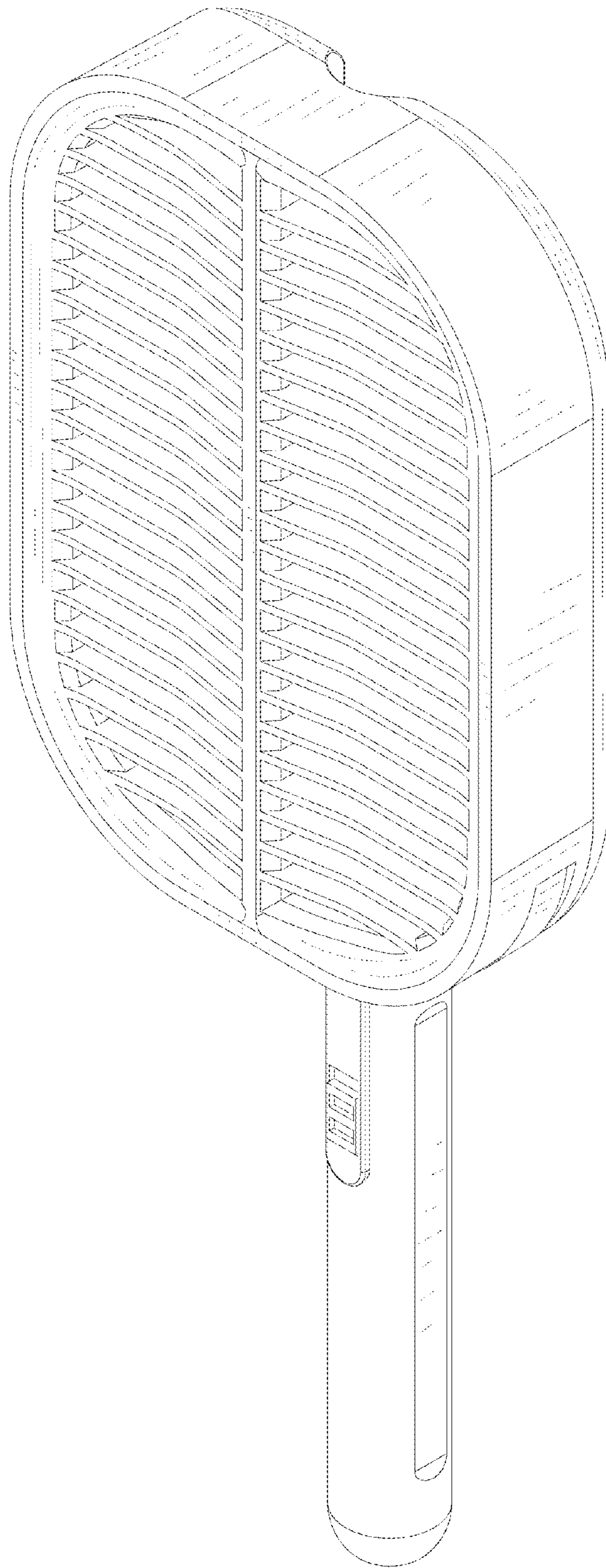


FIG. 1



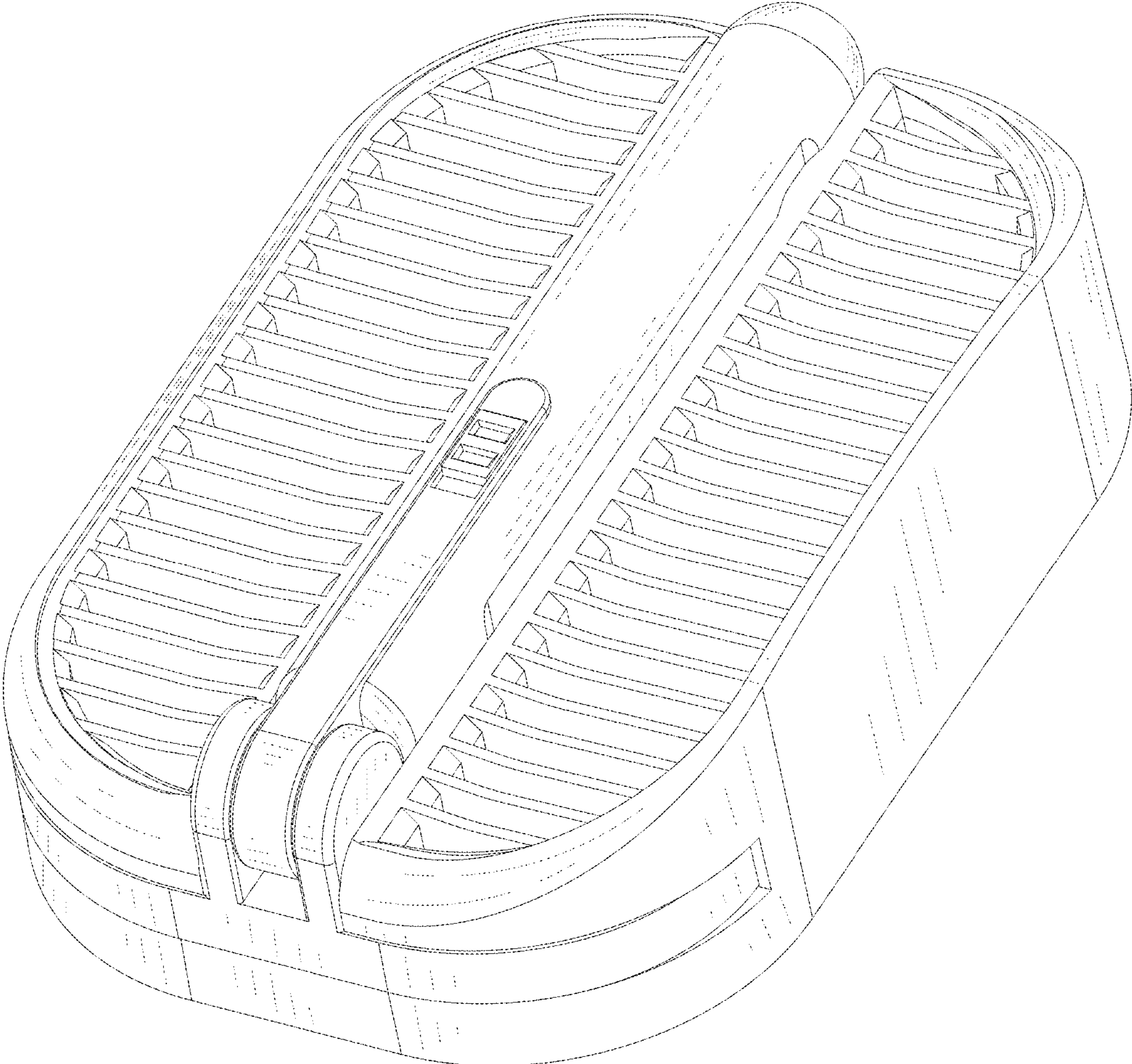


FIG. 2

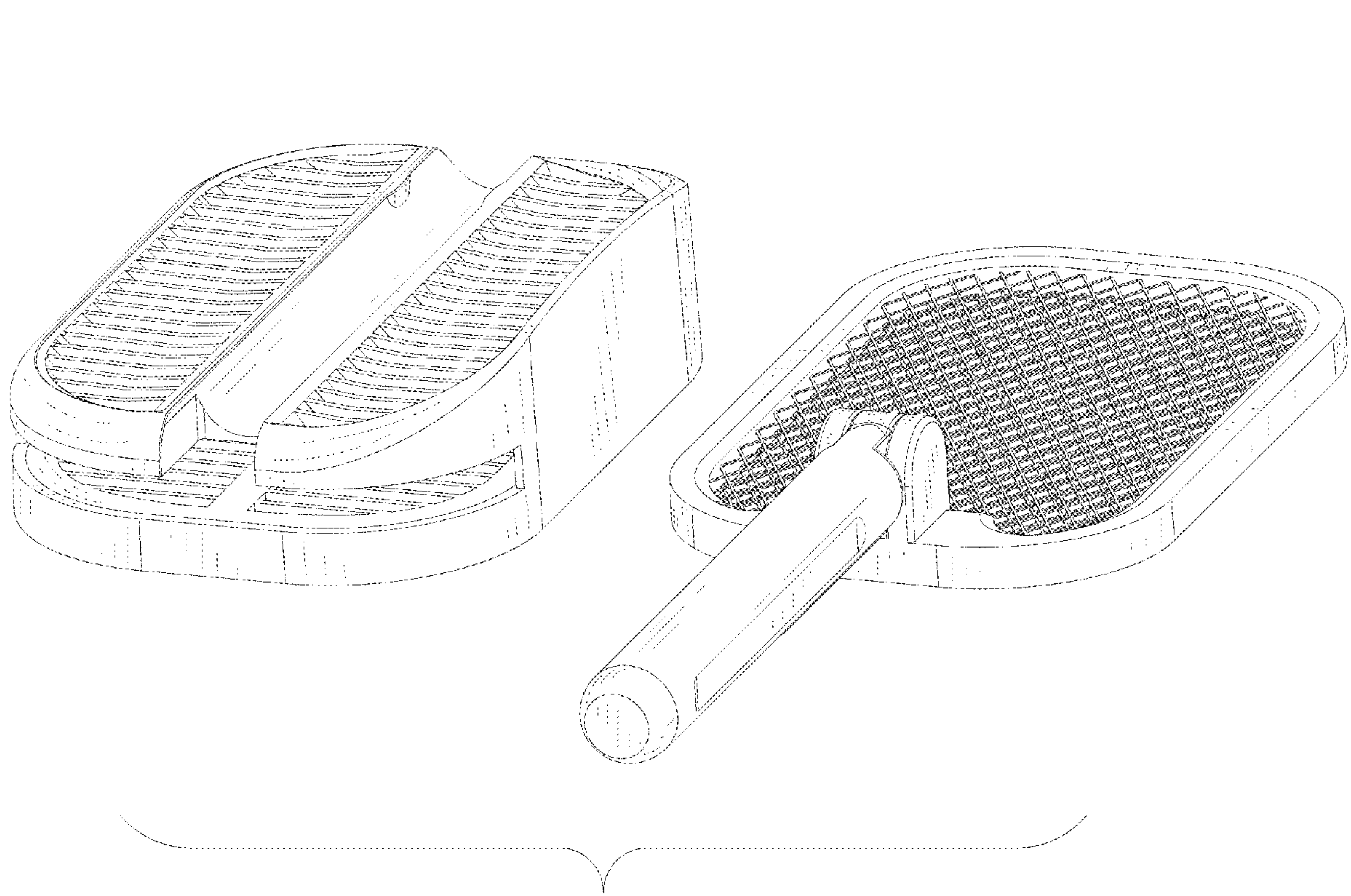


FIG. 3

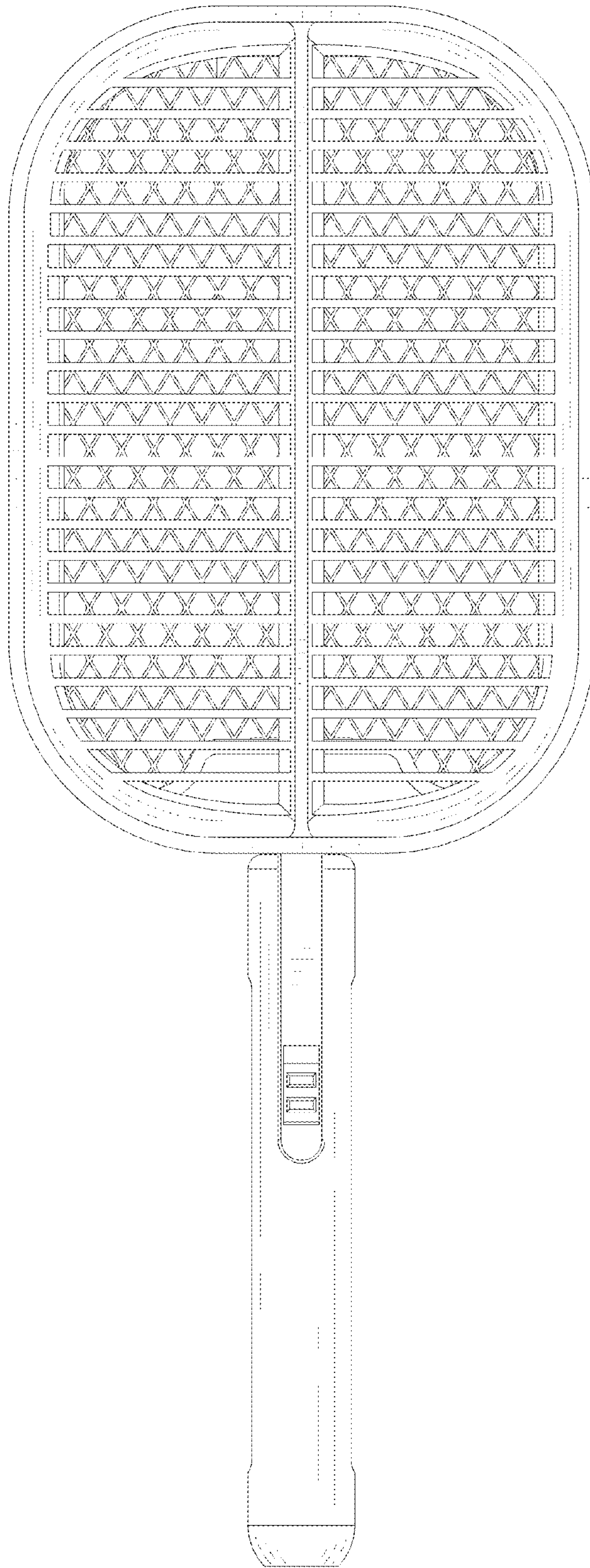


FIG. 4



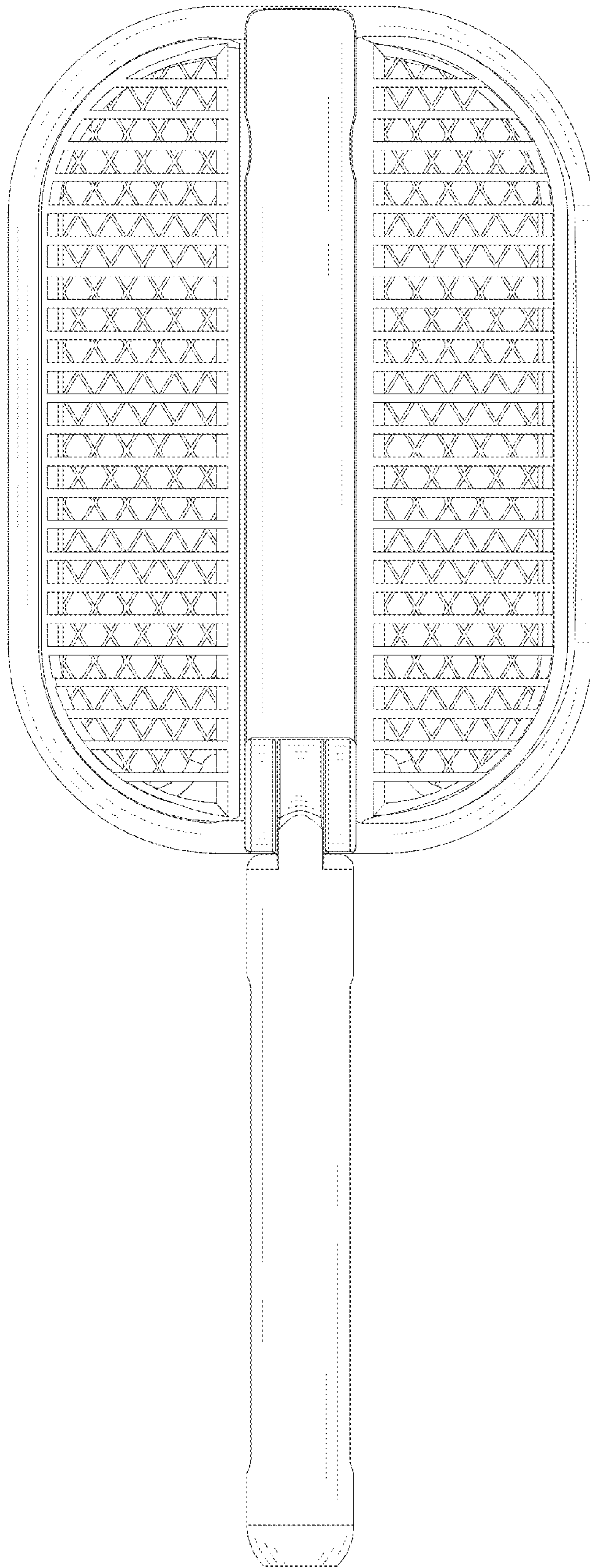


FIG. 5

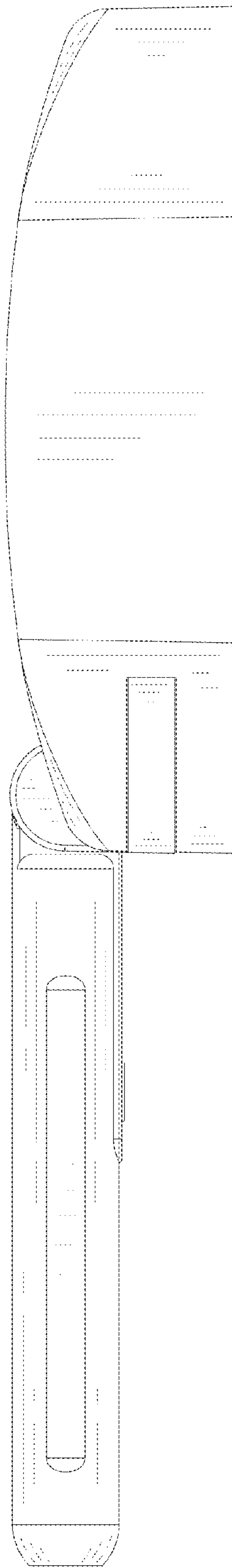


FIG. 6

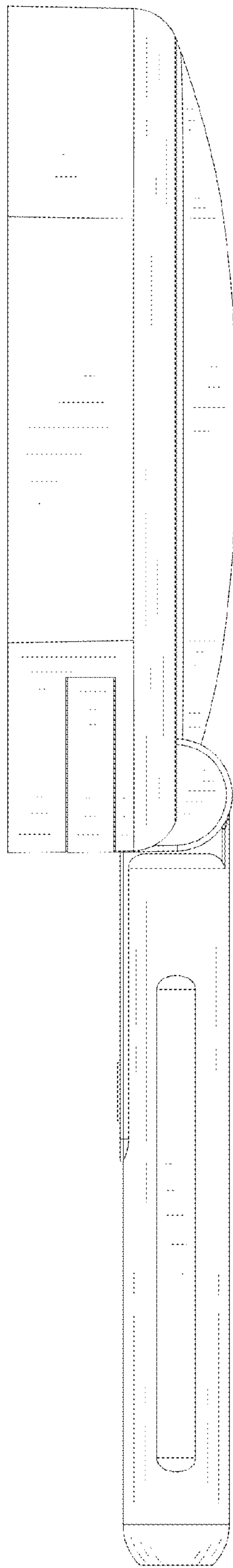


FIG. 7



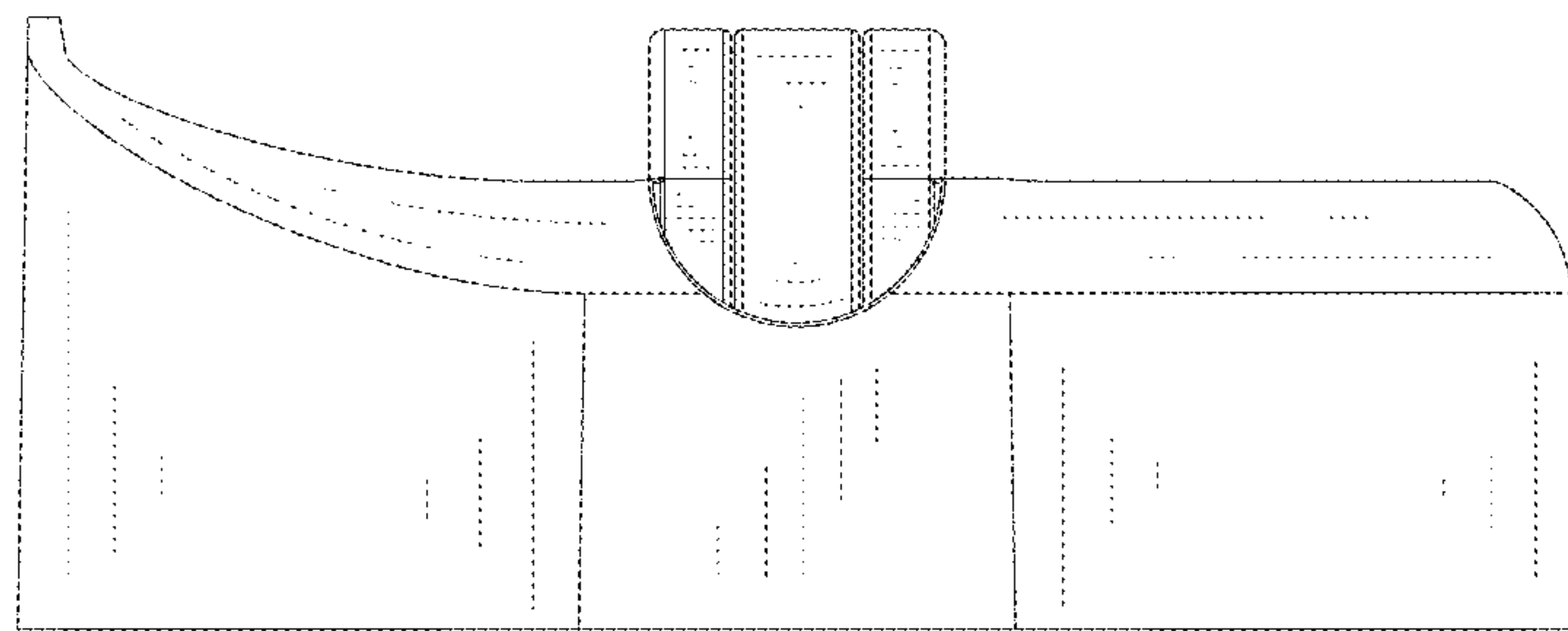


FIG. 8

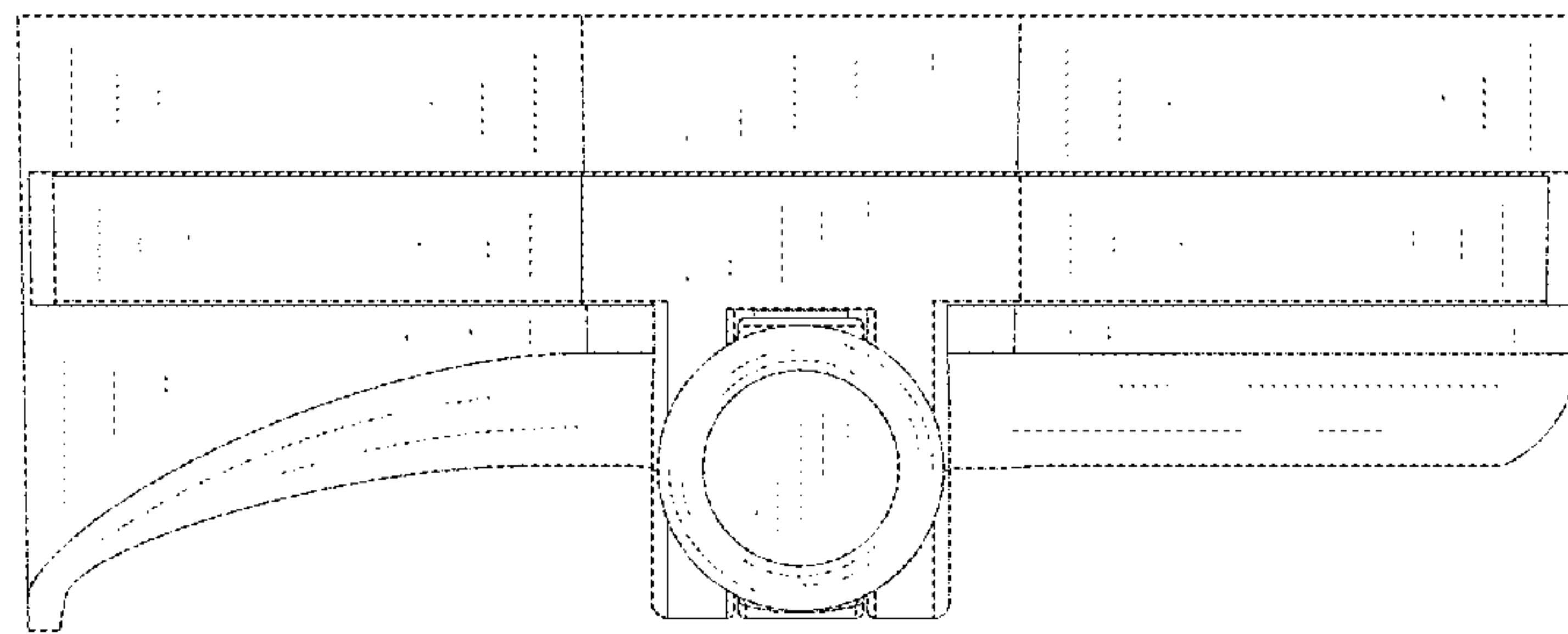


FIG. 9