



US00D973171S

(12) **United States Design Patent**
Martelli

(10) **Patent No.:** **US D973,171 S**

(45) **Date of Patent:** **** Dec. 20, 2022**

- (54) **GUN**
- (71) Applicant: **FABBRICA D'ARMI PIETRO BERETTA S.P.A.**, Cardone Val Trompia (IT)
- (72) Inventor: **Marco Martelli**, Brescia (IT)
- (73) Assignee: **FABBRICA D'ARMI PIETRO BERETTA S.p.A.**, Brescia (IT)

D815,233 S *	4/2018	Toner	D22/104
D834,656 S *	11/2018	Chu	D21/574
D854,642 S *	7/2019	Shinkle	D22/104
D868,191 S *	11/2019	Martelli	D22/104
D868,923 S *	12/2019	Toner	D22/104
D918,328 S *	5/2021	Newsome	D22/104
D933,772 S *	10/2021	Sroufe	D22/104
D934,979 S *	11/2021	O'Clair	D22/104

- (**) Term: **15 Years**
- (21) Appl. No.: **35/511,795**

(22) Filed: **Apr. 16, 2021**

(80) **Hague Agreement Data**

Int. Filing Date: **Apr. 16, 2021**
 Int. Reg. No.: **DM/213887**
 Int. Reg. Date: **Apr. 16, 2021**
 Int. Reg. Pub. Date: **May 7, 2021**

- (51) **LOC (13) Cl.** **22-01**
- (52) **U.S. Cl.**
USPC **D22/104; D21/574**

- (58) **Field of Classification Search**
USPC D21/573, 574; D22/100, 101, 104, 108, D22/109
CPC F41C 3/00; F41C 3/005; F41C 3/06
See application file for complete search history.

(56) **References Cited**

U.S. PATENT DOCUMENTS

D593,629 S *	6/2009	Bantle	D22/104
D690,374 S *	9/2013	Lee	D21/574

OTHER PUBLICATIONS

New Beretta APX A1 Carry Gun Review, published by user sootch00 on YouTube.com on Oct. 26, 2021. Retrieved from the internet on Feb. 17, 2022 <URL: <https://youtu.be/R5nK1UKwKj4?t=240>> (Year: 2021).*

* cited by examiner

Primary Examiner — Joseph Kukella

(74) *Attorney, Agent, or Firm* — Thomas I Horstemeyer, LLP

(57) **CLAIM**

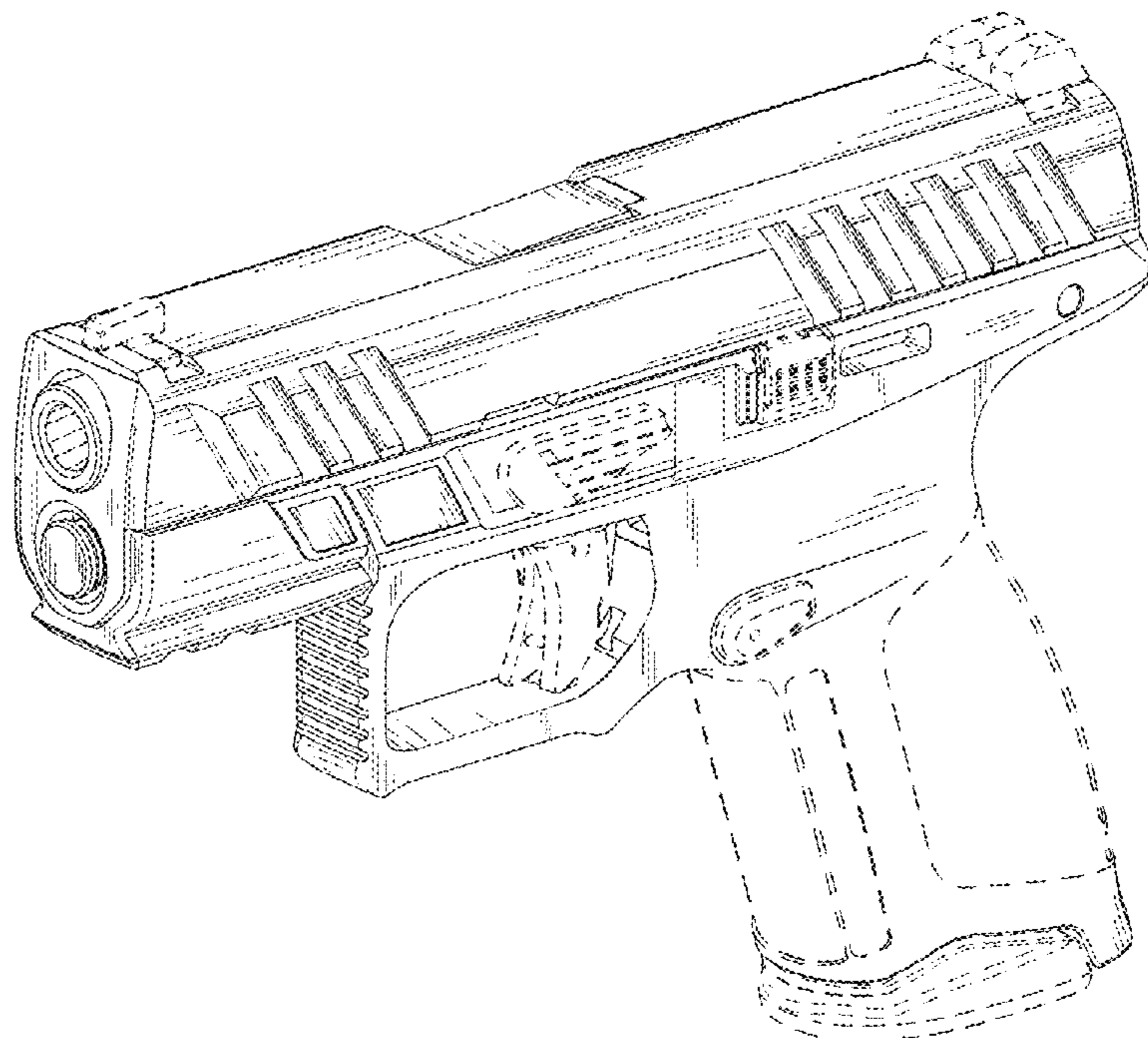
The ornamental design for a gun, as shown and described.

DESCRIPTION

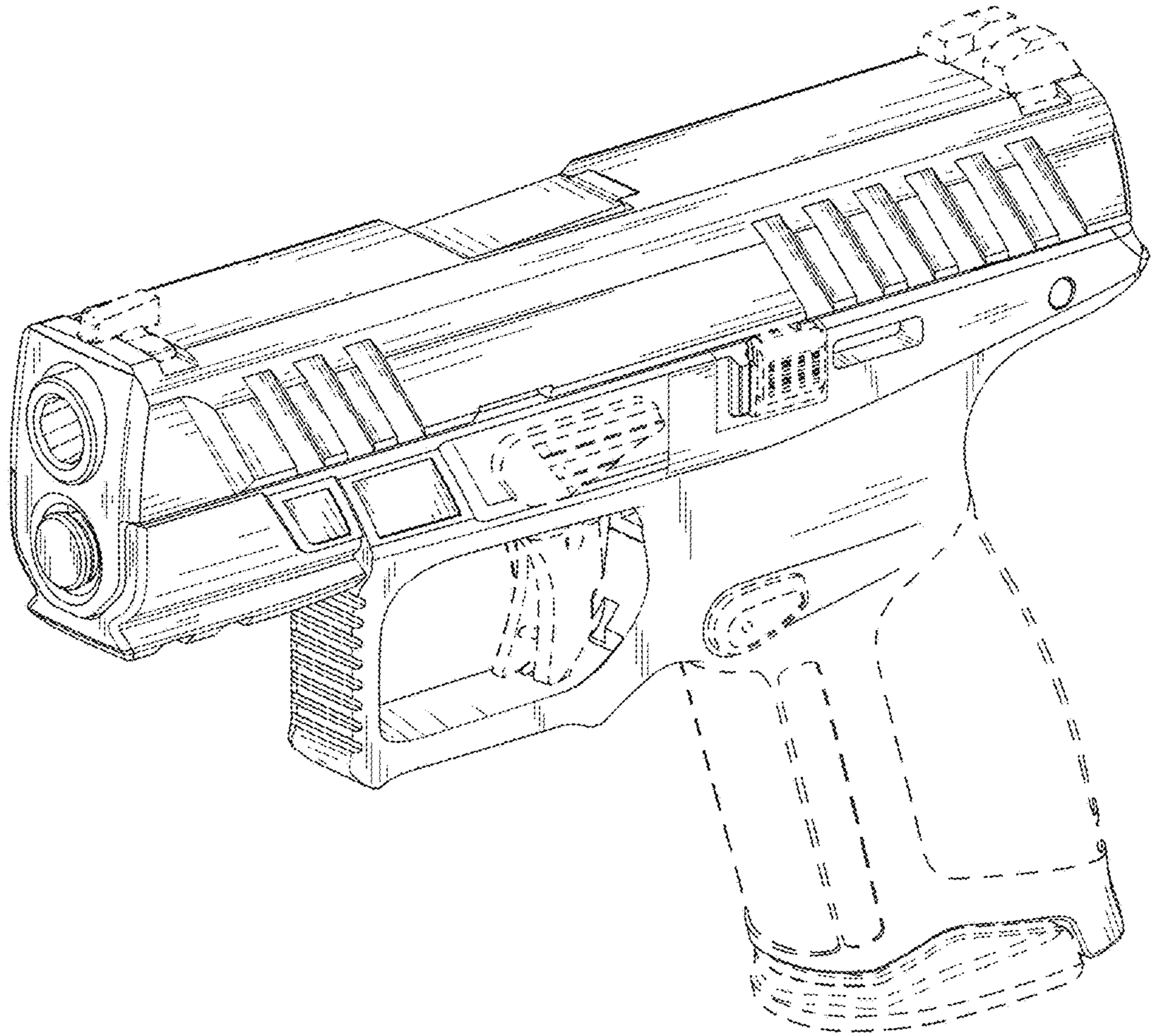
- 1. Gun
- 2. Gun
- 3. Gun

Designs 1, 2 and 3 are for a gun; **1.1, 2.1 and 3.1** are front left perspective views of a gun; **1.2, 2.2 and 3.2** are front right perspective views thereof; **1.3, 2.3 and 3.3** are front views thereof; **1.4, 2.4 and 3.4** are rear views thereof; **1.5, 2.5 and 3.5** are left views thereof; **1.6, 2.6 and 3.6** are right views thereof; **1.7, 2.7 and 3.7** are top views thereof; **1.8, 2.8 and 3.8** are bottom views thereof; the broken lines depict portions of the gun that form no part of the claimed design.

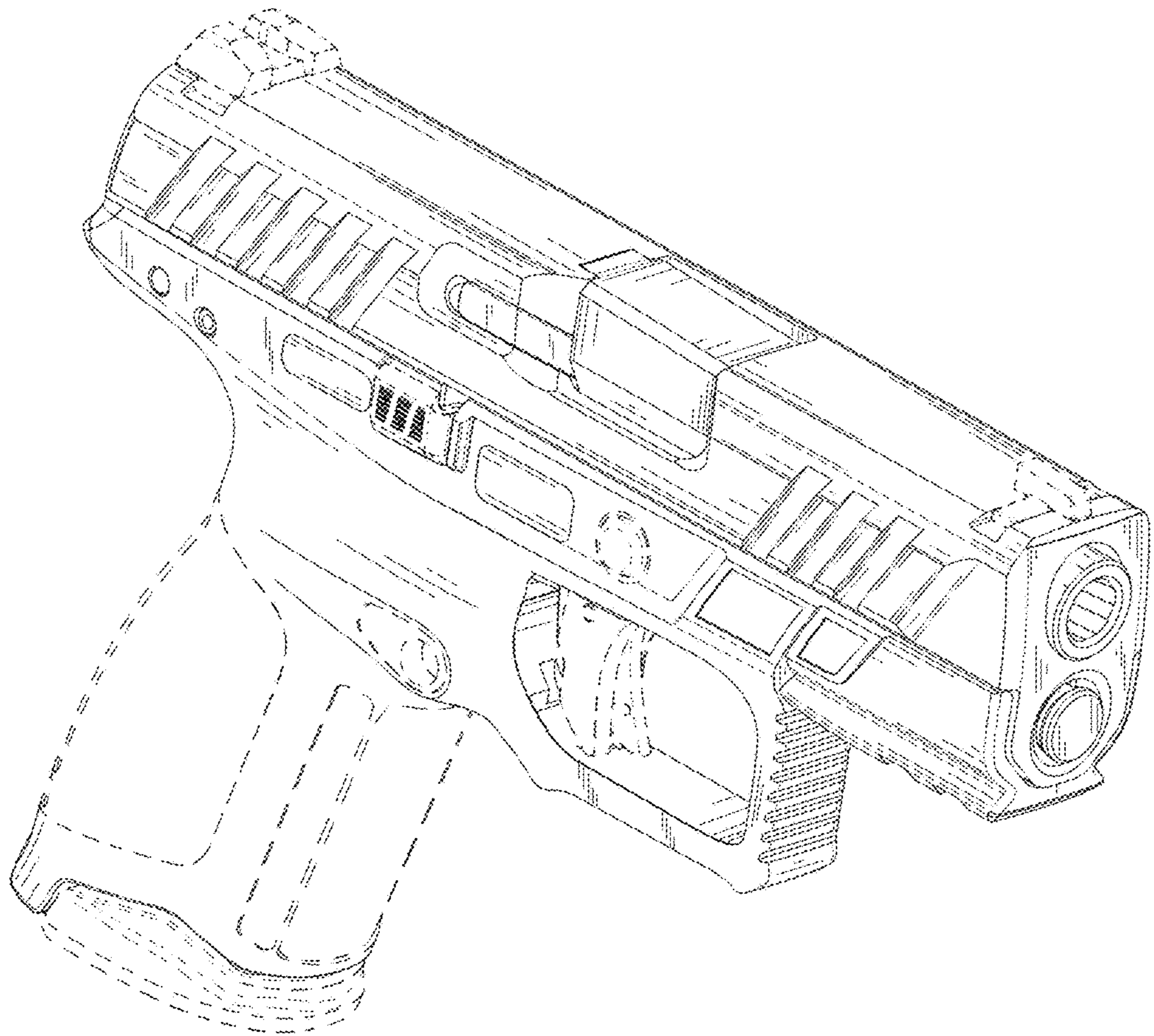
1 Claim, 24 Drawing Sheets



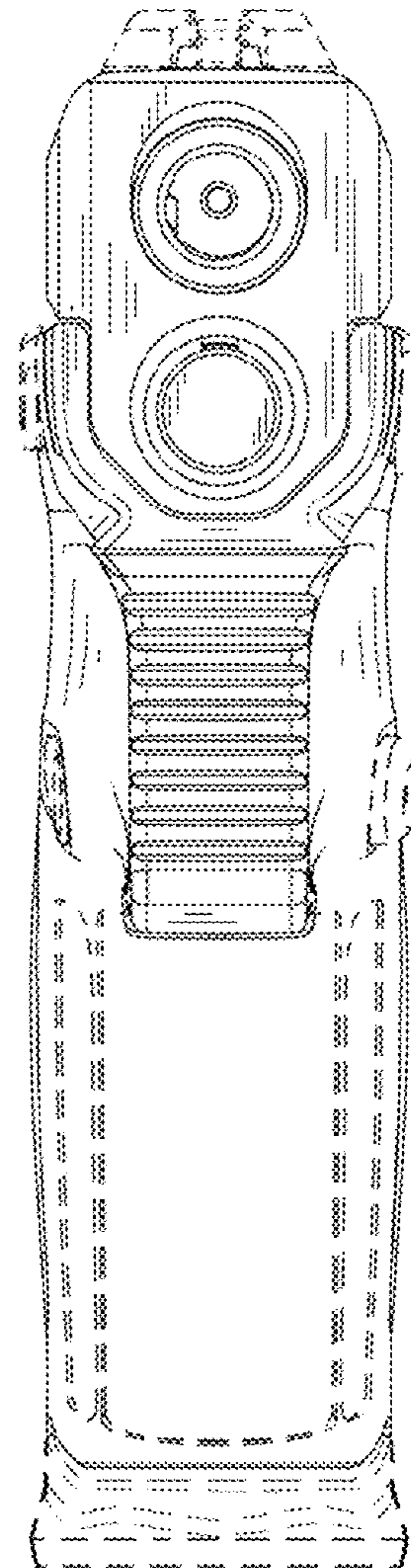
1.1



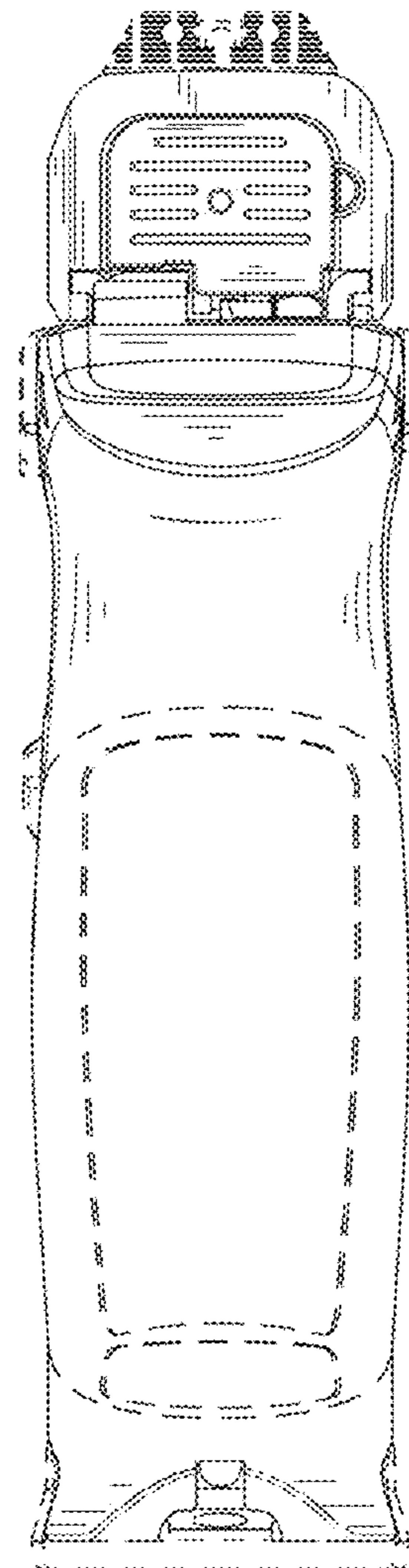
1.2



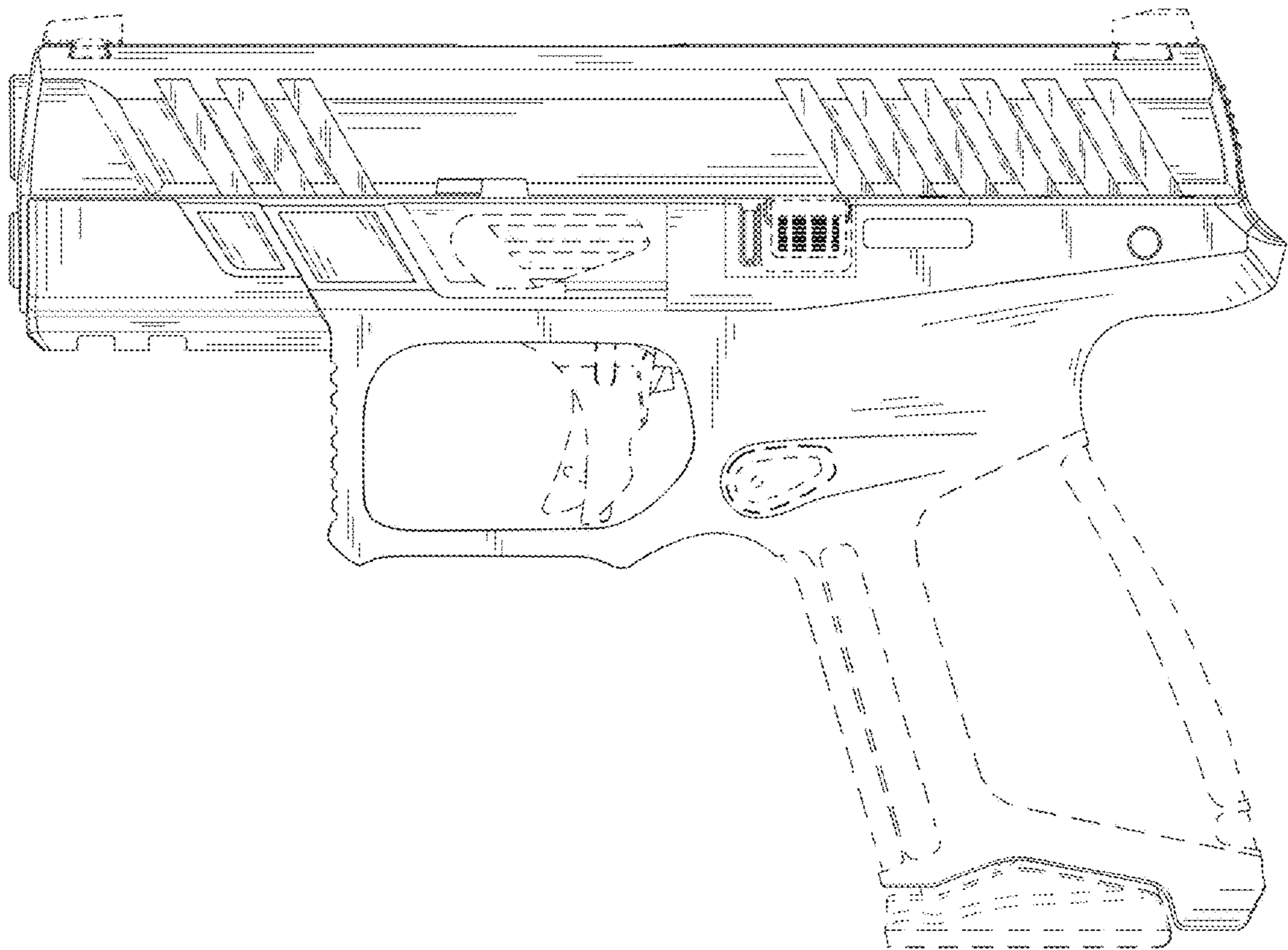
1.3



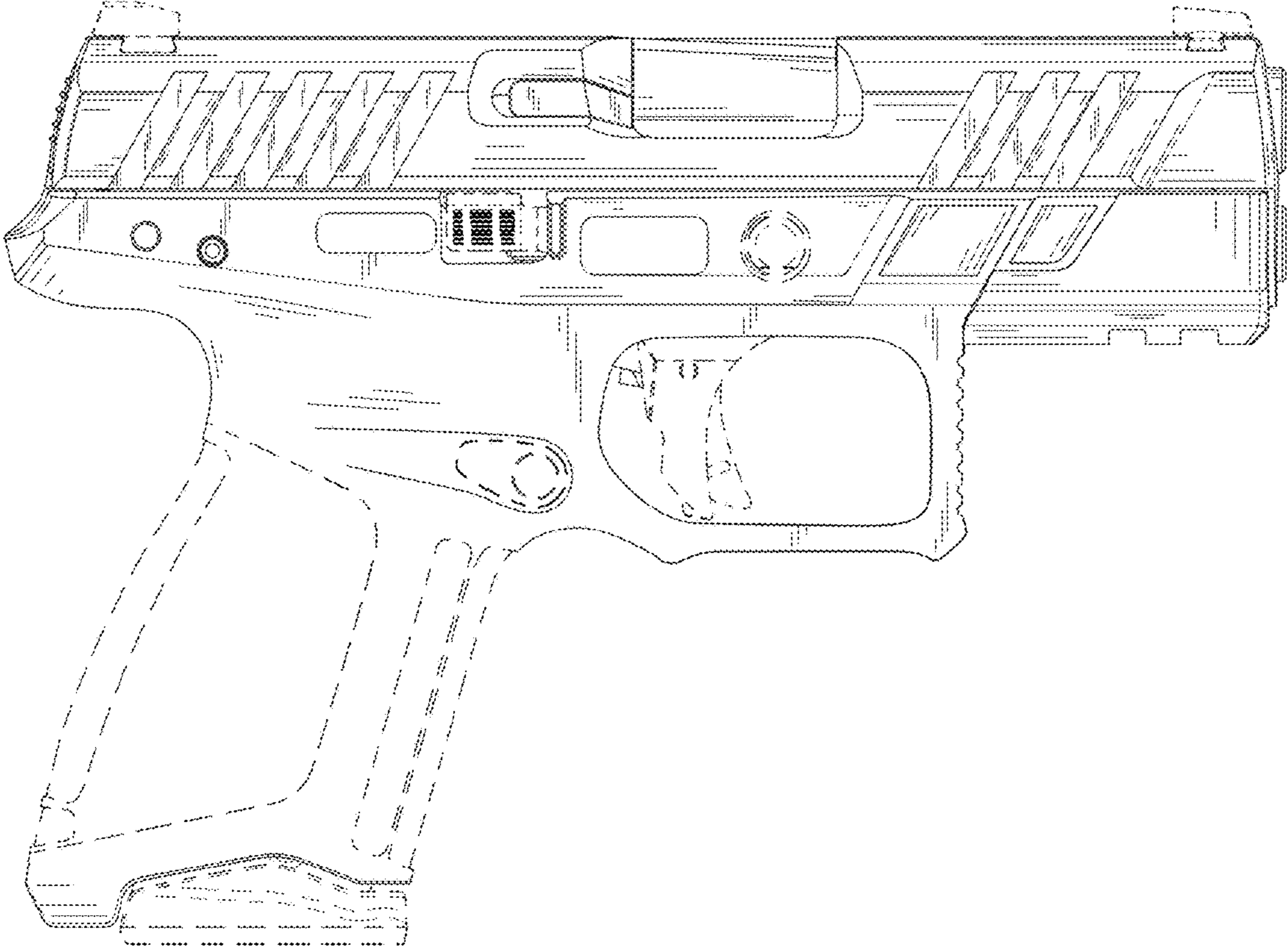
1.4



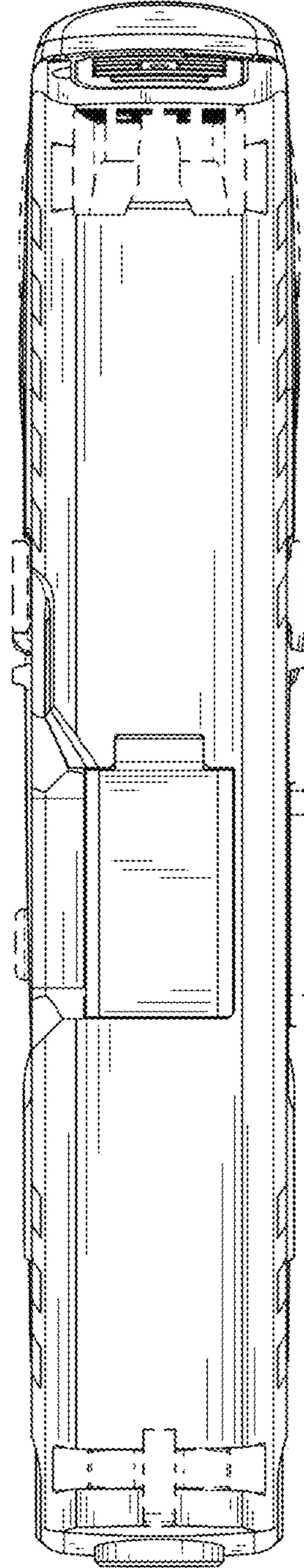
1.5



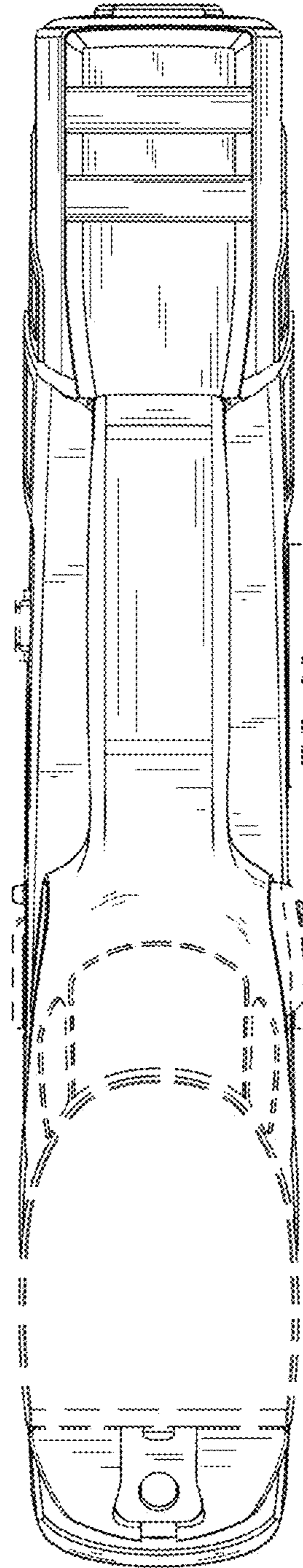
1.6



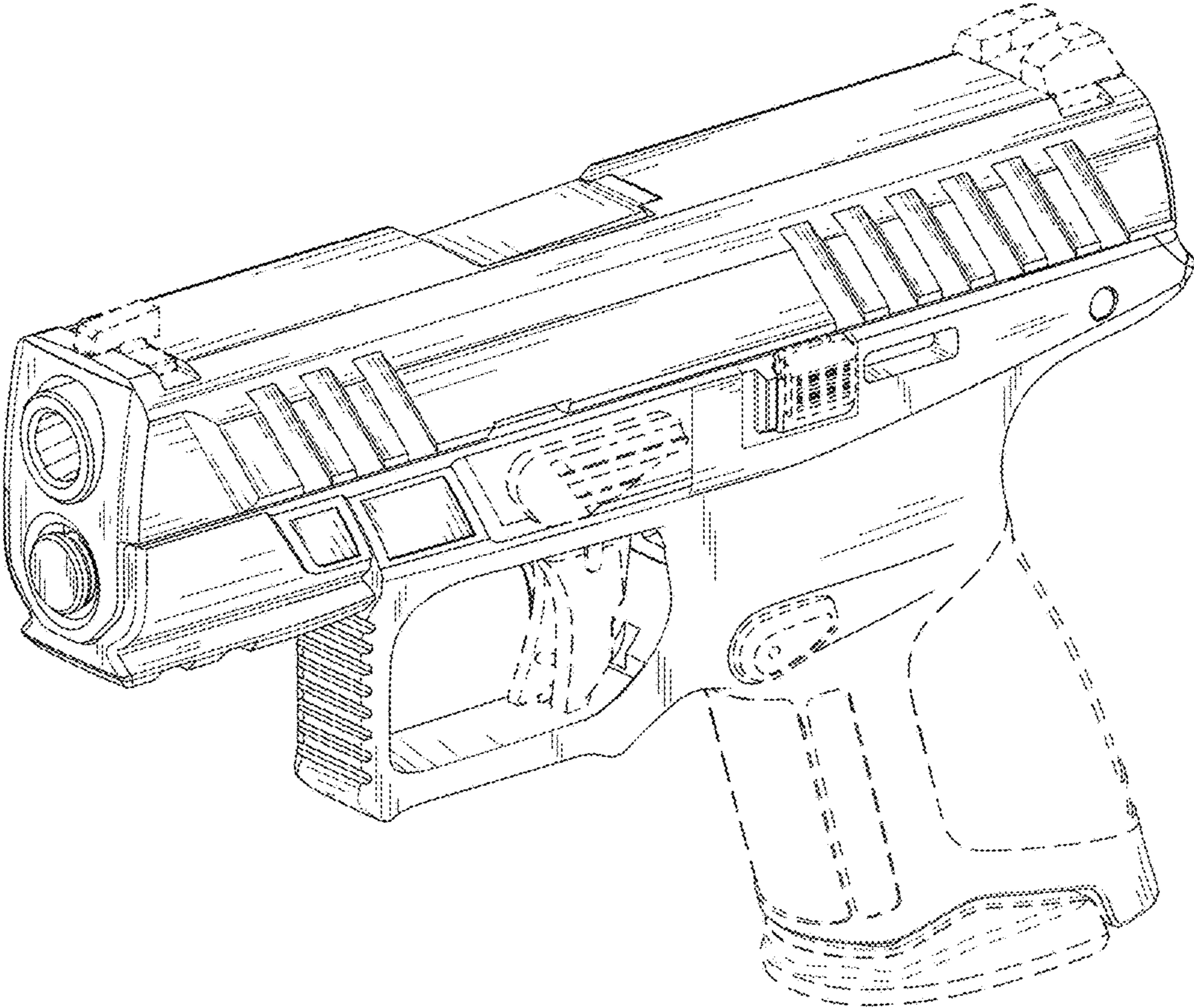
1.7



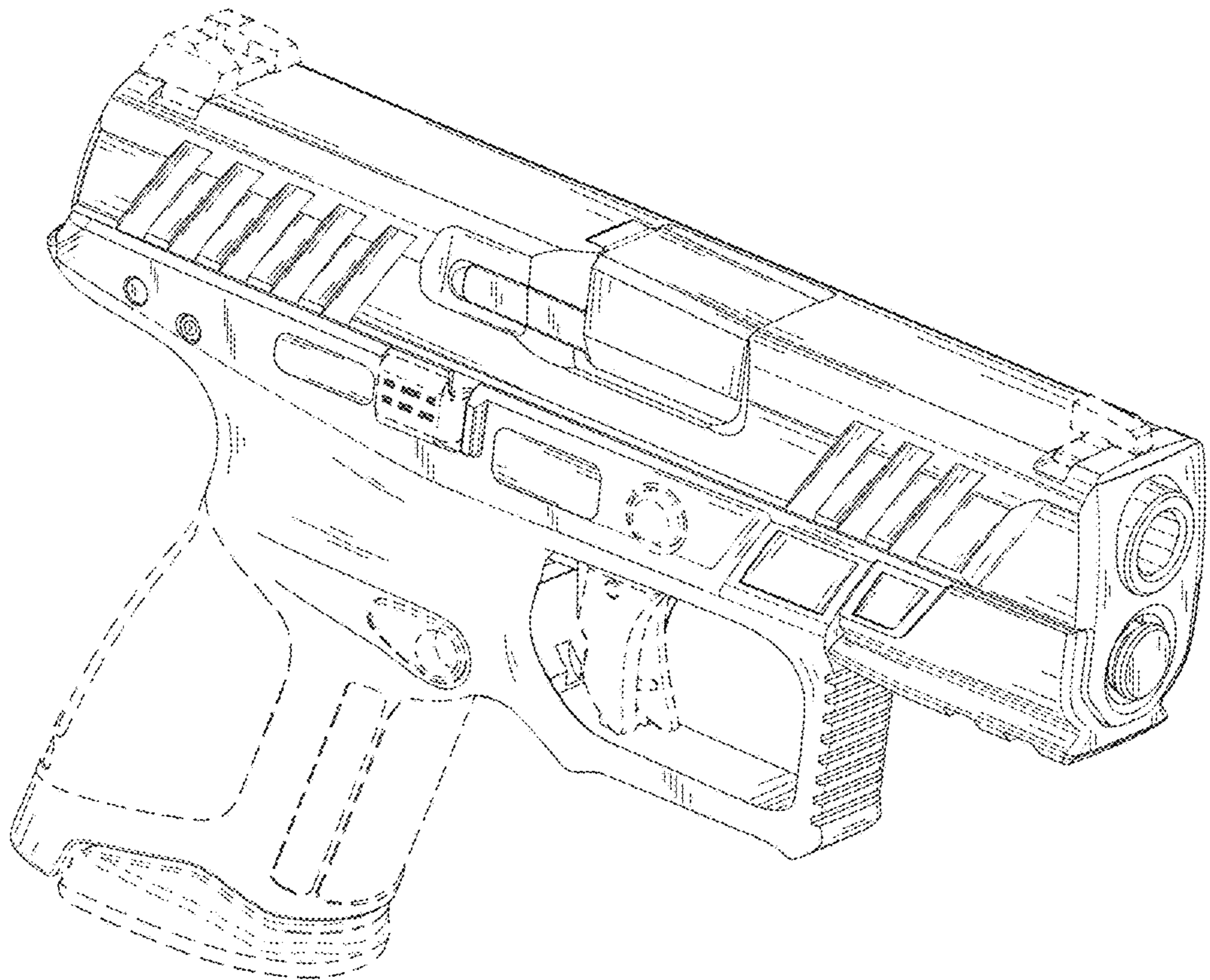
1.8



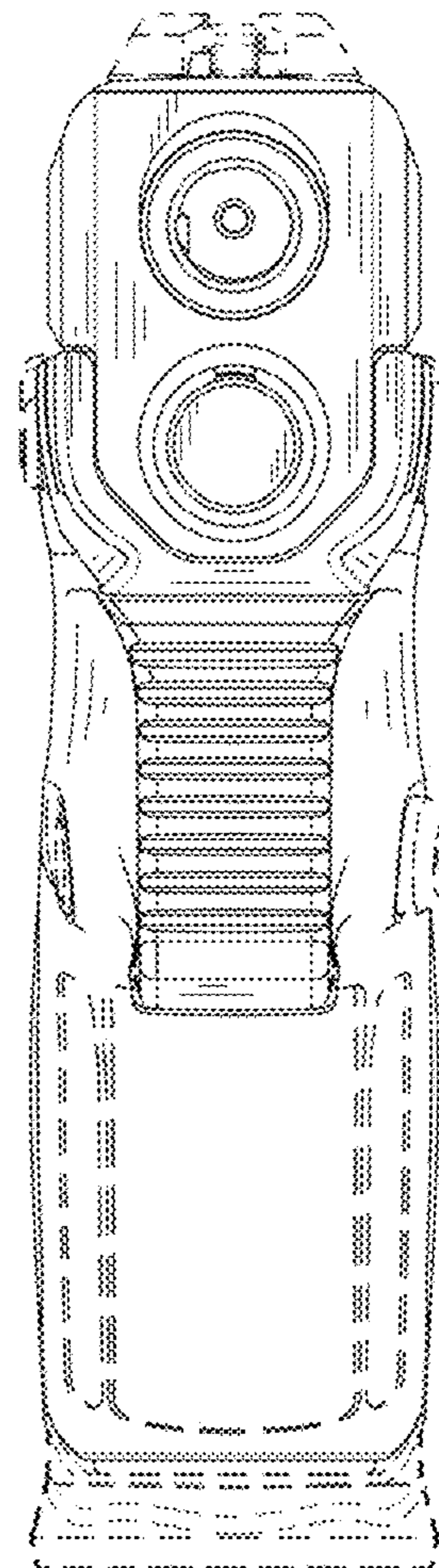
2.1



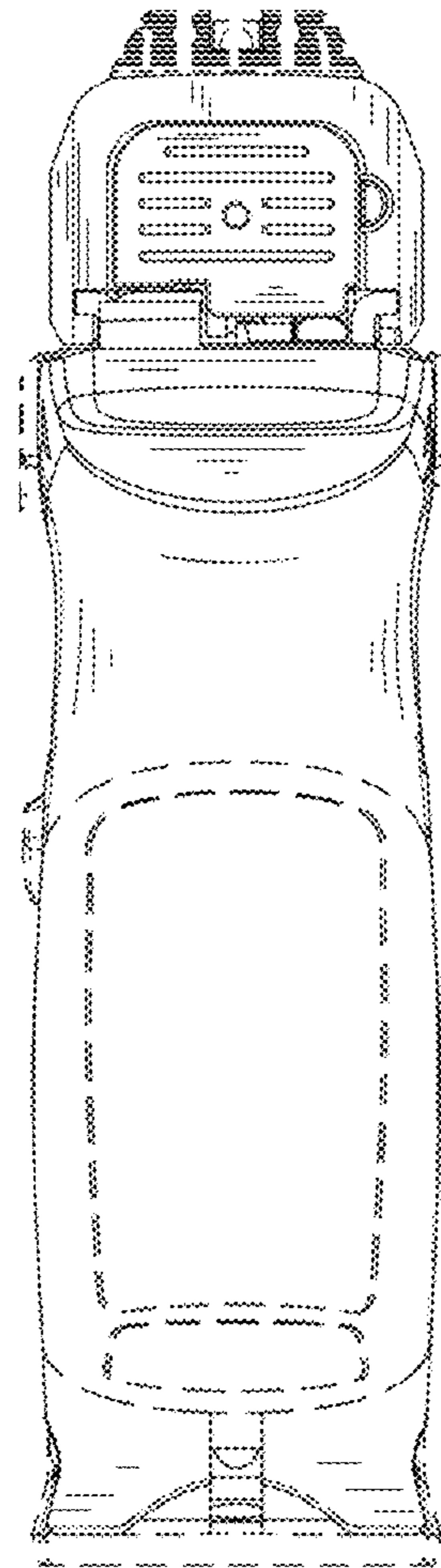
2.2



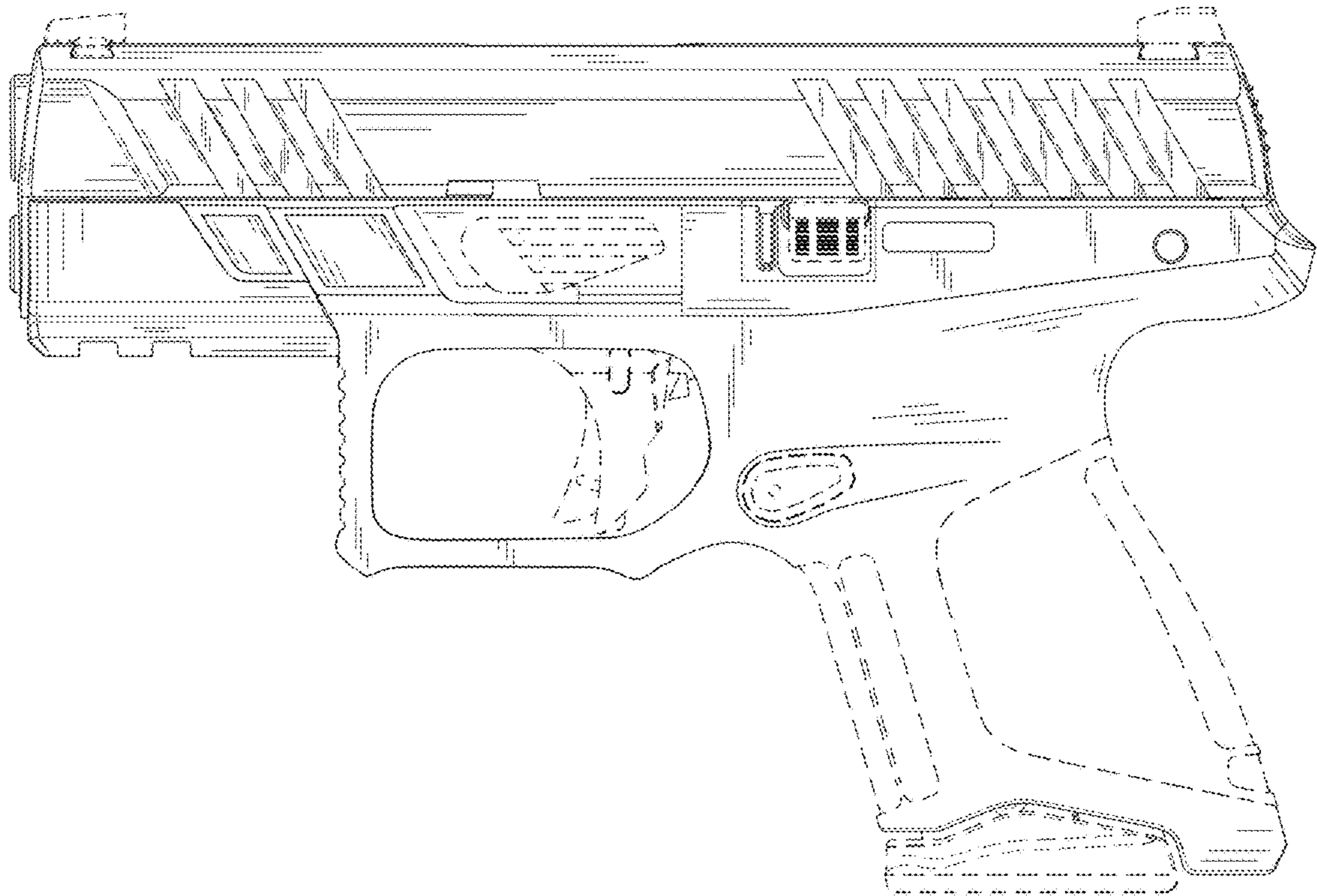
2.3



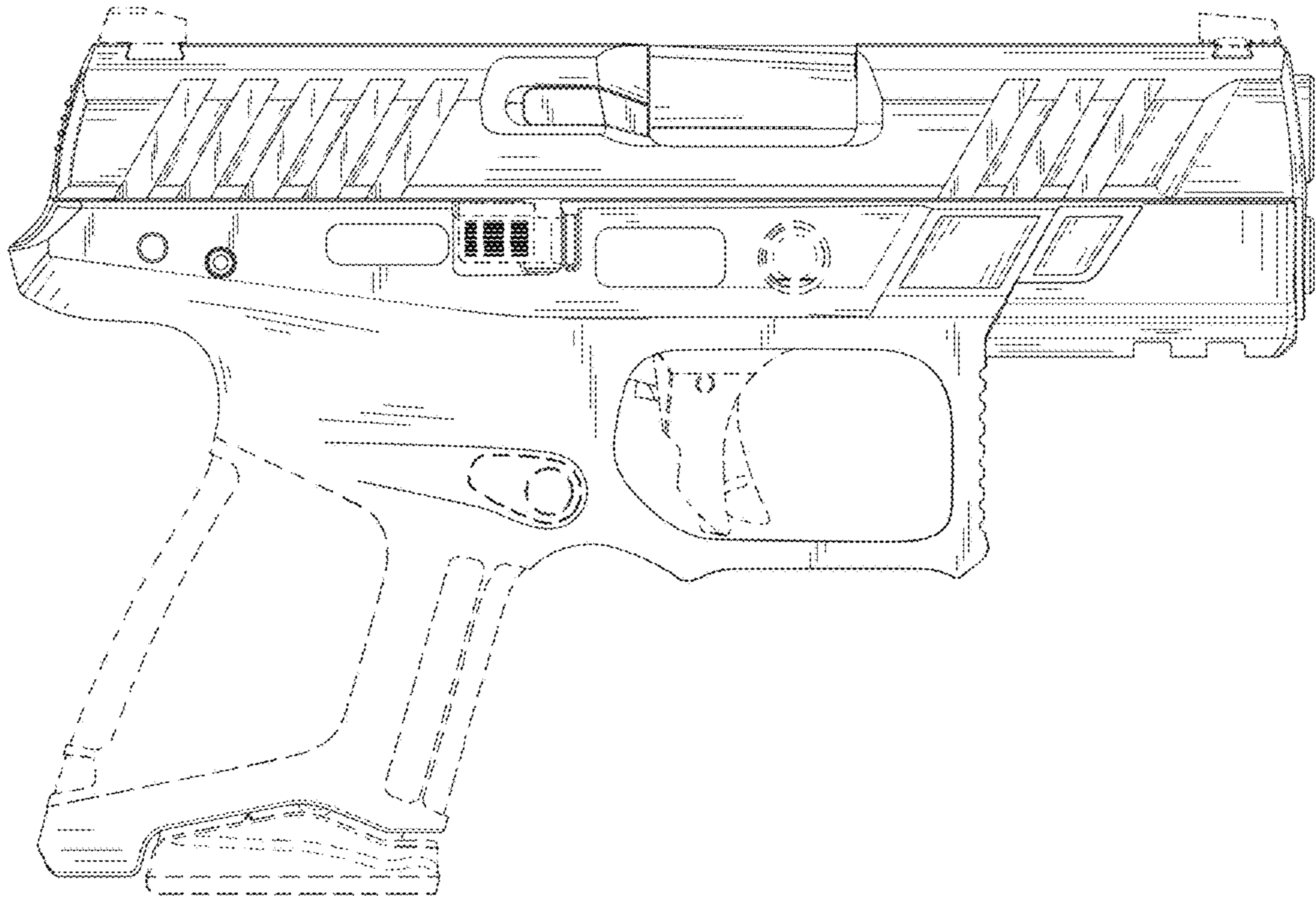
2.4



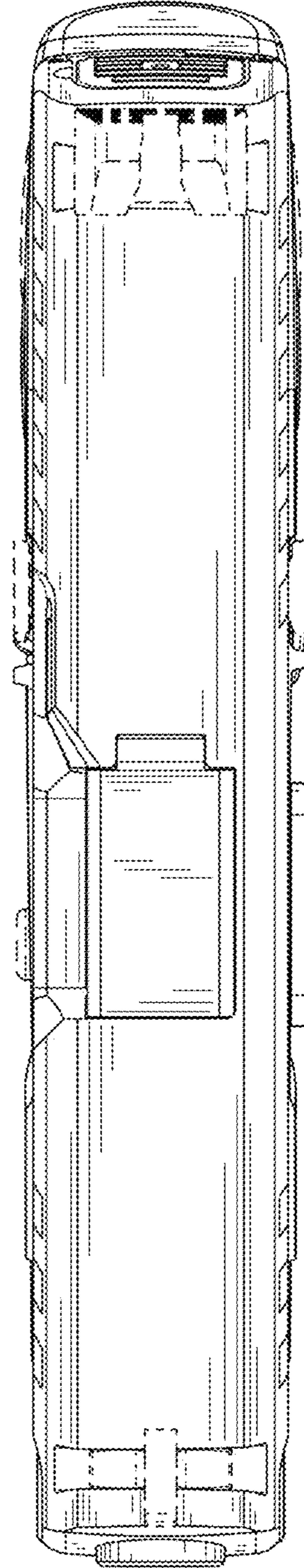
2.5



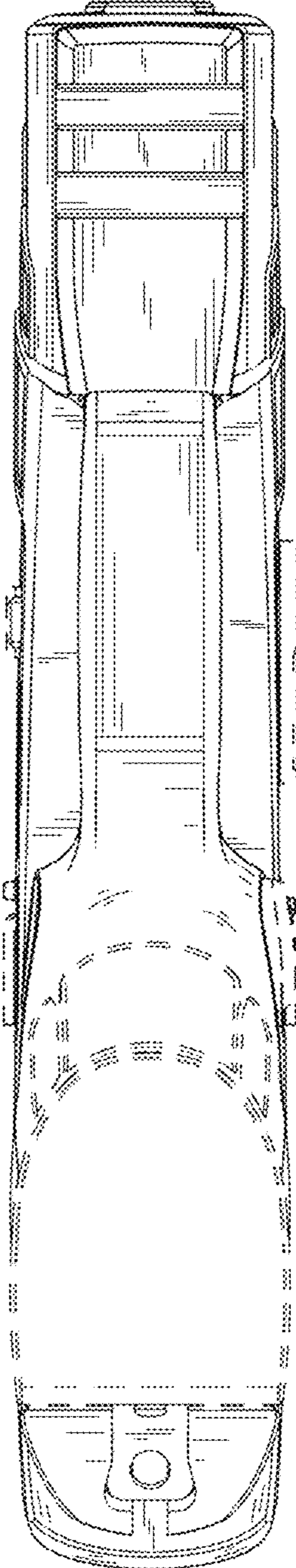
2.6



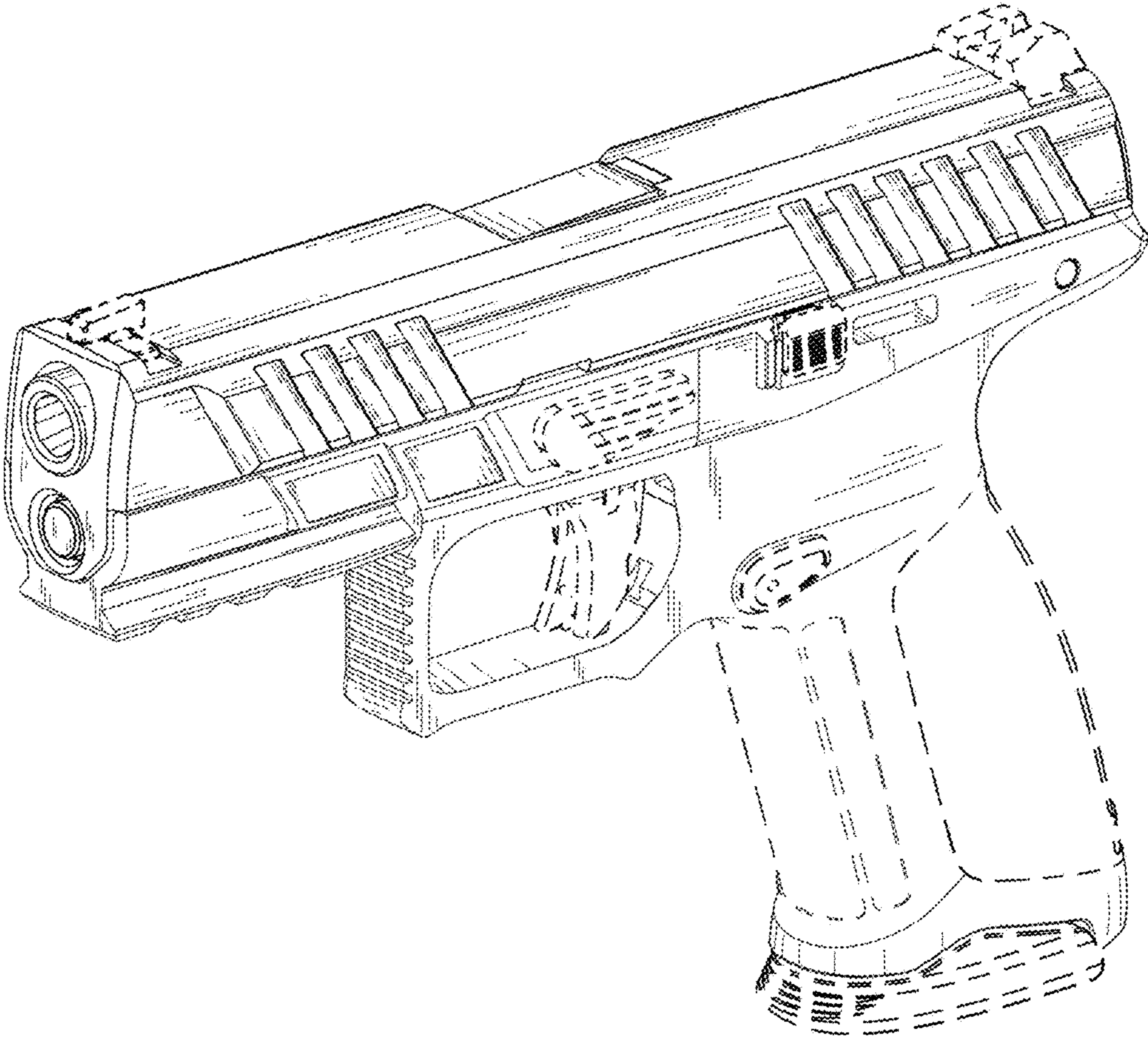
2.7



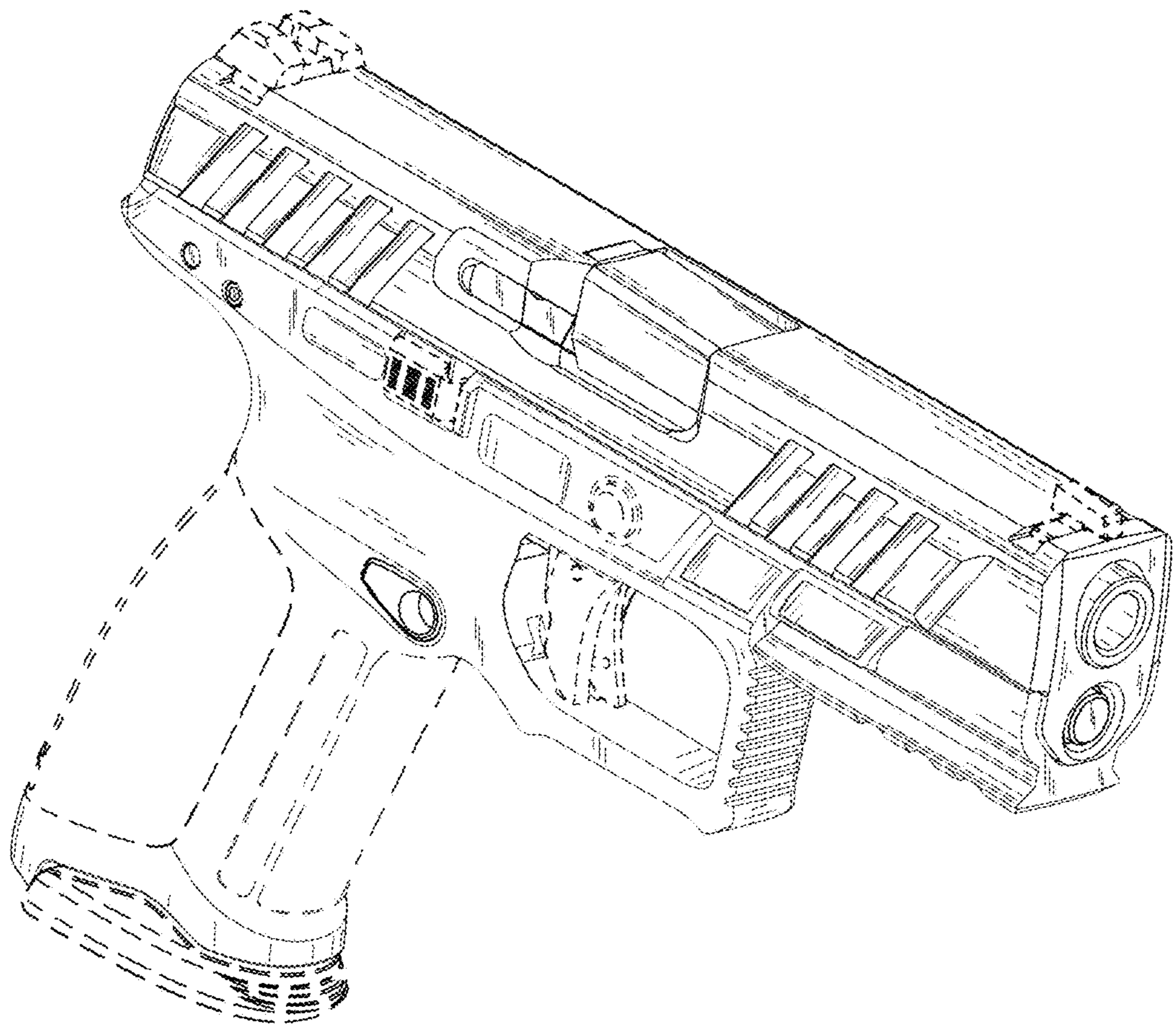
2.8



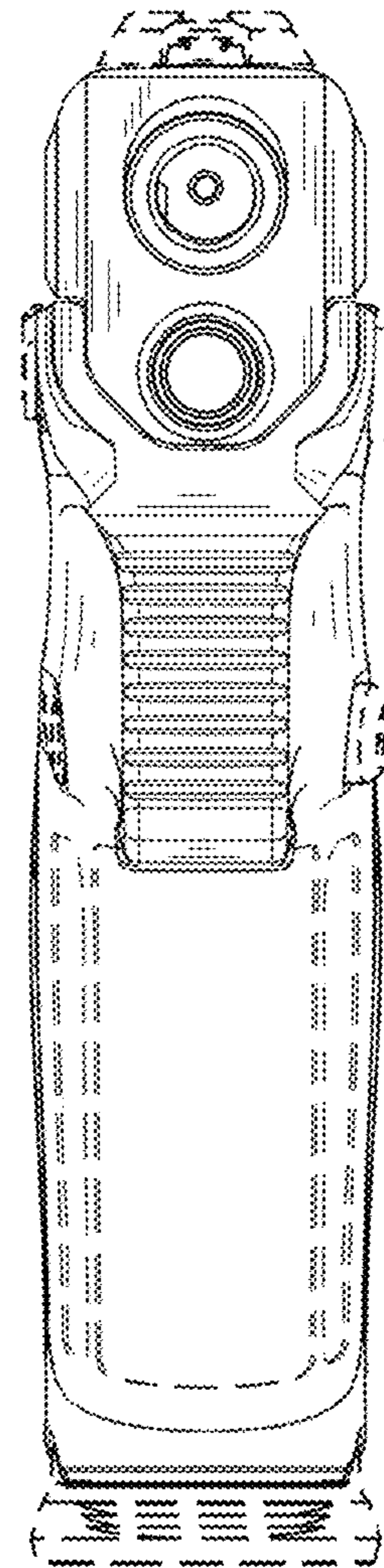
3.1



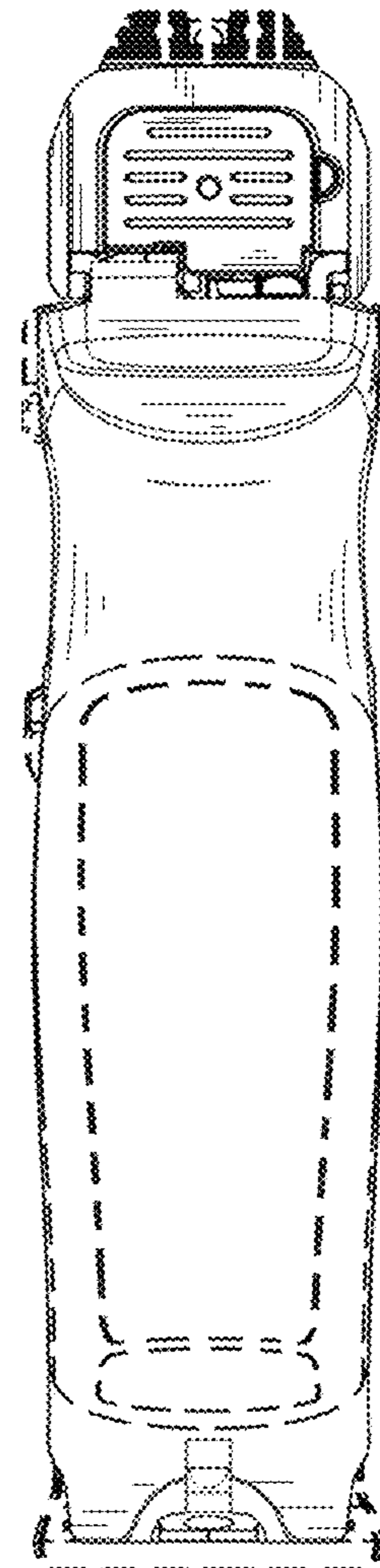
3.2



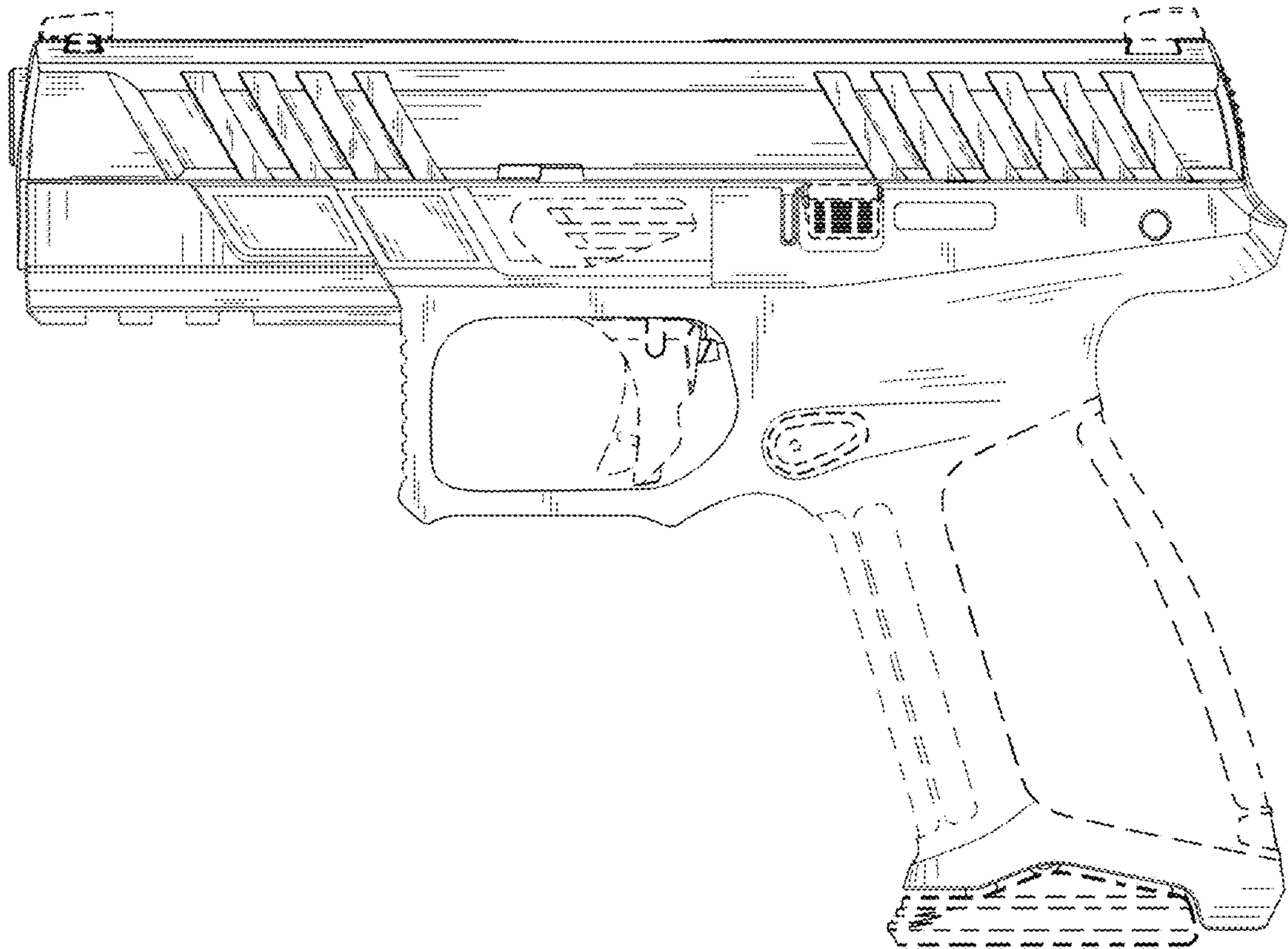
3.3



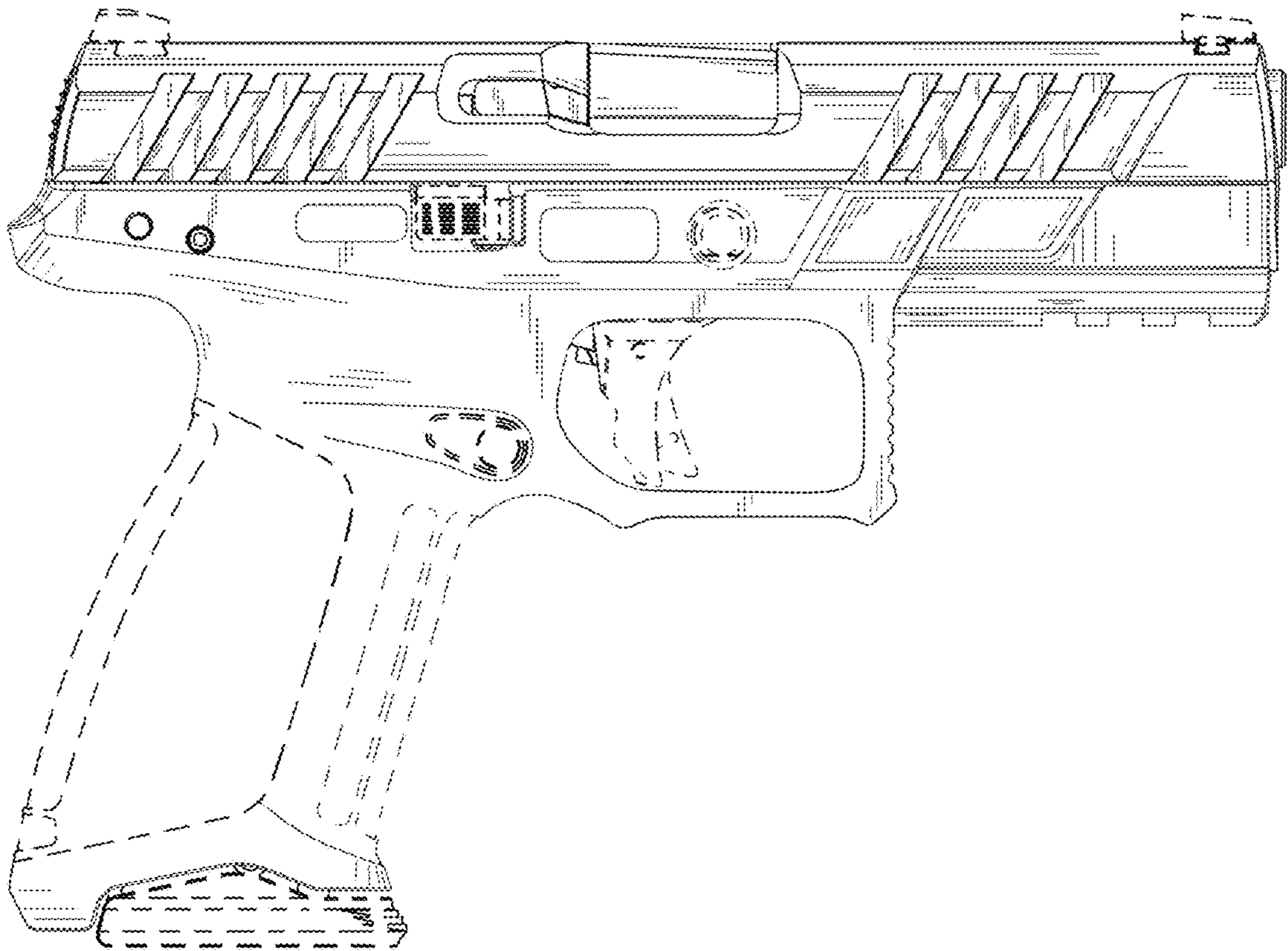
3.4



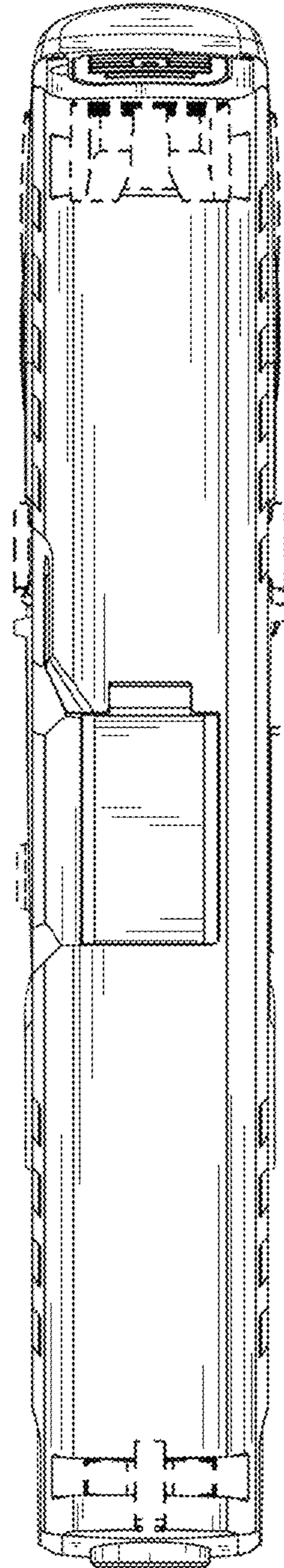
3.5



3.6



3.7



3.8

