



US00D973170S

(12) **United States Design Patent**  
**Martelli**

(10) **Patent No.:** **US D973,170 S**

(45) **Date of Patent:** **\*\* Dec. 20, 2022**

(54) **RIFLE**

10,371,475 B2 \* 8/2019 Cook ..... F41A 17/36  
D925,688 S \* 7/2021 Moretti ..... D22/103  
D963,099 S \* 9/2022 Baumbach ..... D22/103

(71) Applicant: **FABBRICA D'ARMI PIETRO BERETTA S.P.A.**, Brescia (IT)

\* cited by examiner

(72) Inventor: **Marco Martelli**, Brescia (IT)

*Primary Examiner* — Michael A. Pratt

(73) Assignee: **FABBRICA D'ARMI PIETRO BERETTA S.p.A.**, Brescia (IT)

(74) *Attorney, Agent, or Firm* — Thomas | Horstemeyer, LLP

(\*\*) Term: **15 Years**

(21) Appl. No.: **35/512,864**

(57) **CLAIM**

(22) Filed: **Oct. 22, 2021**

The ornamental design for a rifle, as shown and described.

(80) **Hague Agreement Data**

**DESCRIPTION**

Int. Filing Date: **Oct. 22, 2021**  
Int. Reg. No.: **DM/217052**  
Int. Reg. Date: **Oct. 22, 2021**  
Int. Reg. Pub. Date: **Nov. 5, 2021**

(51) **LOC (13) Cl.** ..... **22-01**

(52) **U.S. Cl.**  
USPC ..... **D22/103**

(58) **Field of Classification Search**  
USPC ..... D22/103; D21/571–575  
CPC ..... F41C 23/16; F41C 23/14; F41C 23/20;  
F41C 7/00; F41C 23/00; F41C 27/22;  
F41C 23/06

See application file for complete search history.

- 1. Rifle
- 1.1: Perspective
- 1.2: Right
- 1.3: Left
- 1.4: Front
- 1.5: Rear
- 1.6: Top
- 1.7: Bottom

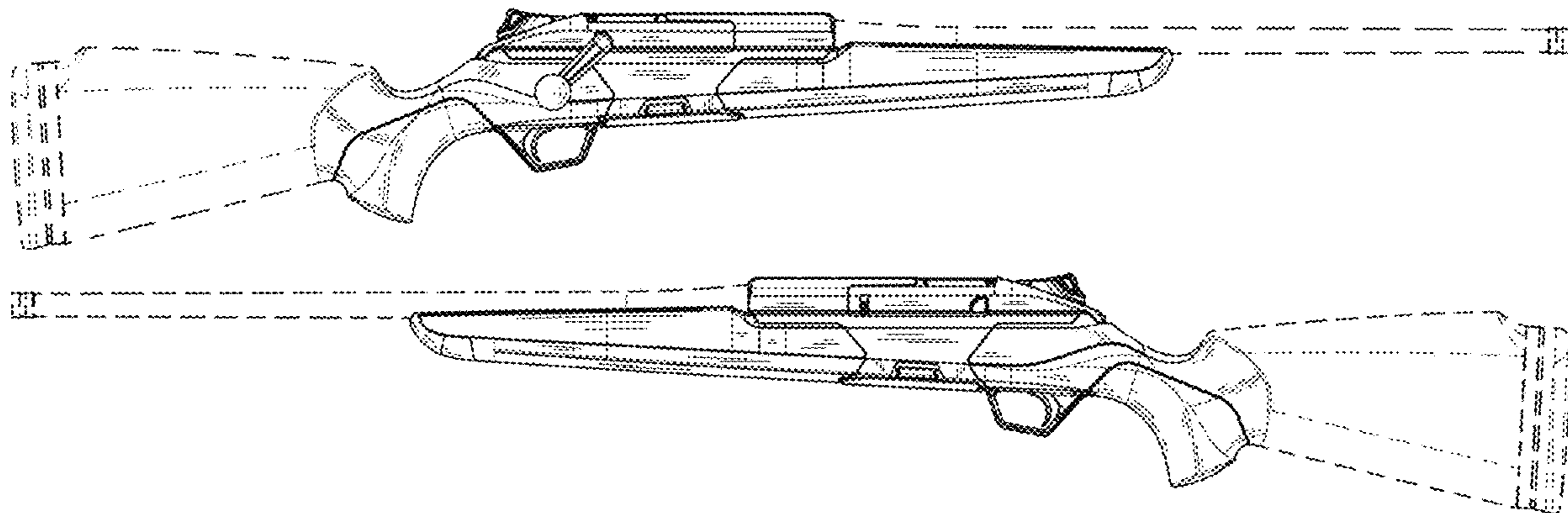
Fig. 1.1 is a perspective view of the design, fig. 1.2 is a right view thereof, fig. 1.3 is a left view thereof, fig. 1.4 is a front view thereof, fig. 1.5 is a rear view thereof, fig. 1.6 is a top view thereof, fig. 1.7 is a bottom view thereof; the parts shown in broken lines are for illustrative purposes only and form no parts of the claimed designs.

(56) **References Cited**

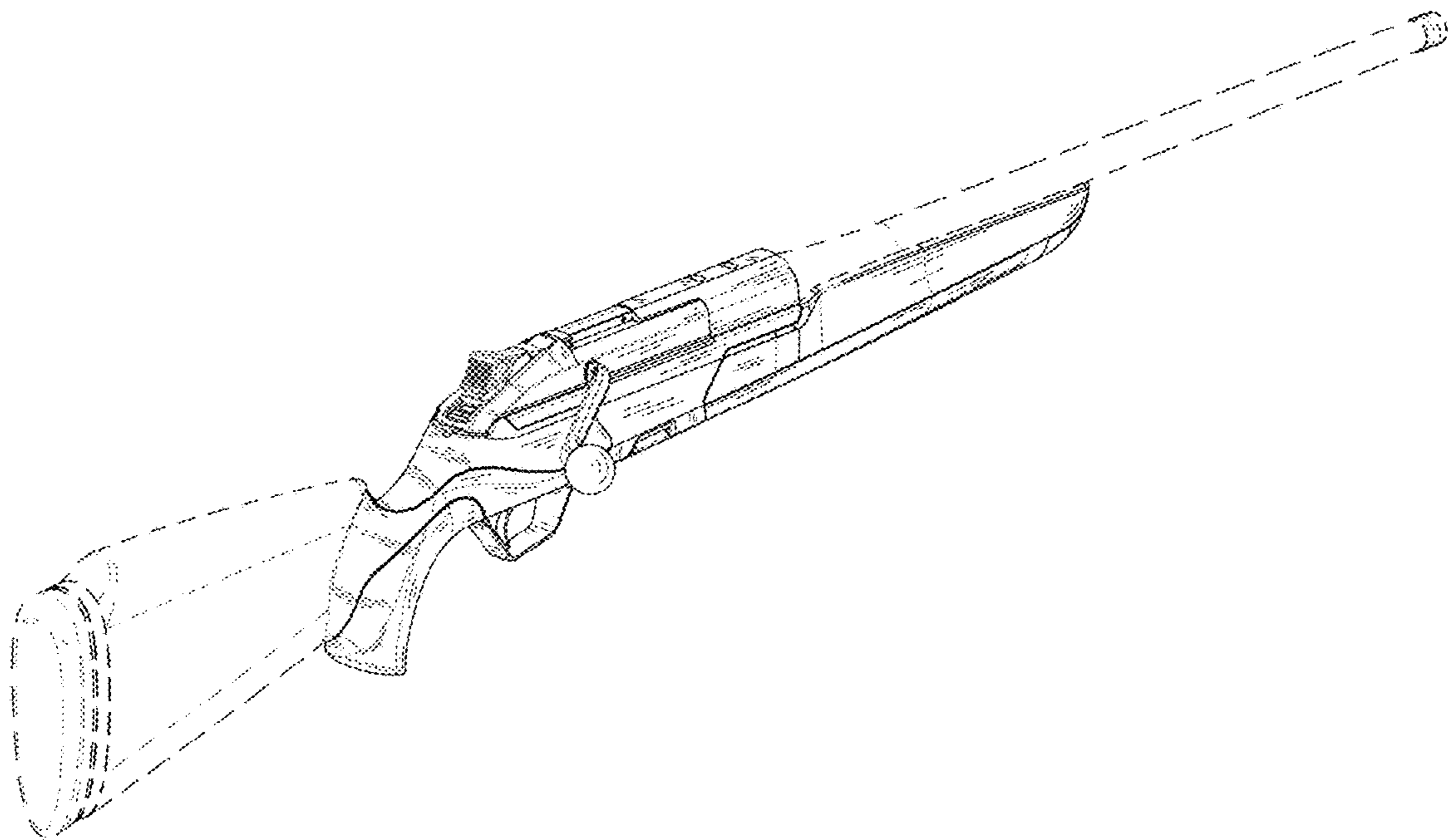
**U.S. PATENT DOCUMENTS**

D253,485 S \* 11/1979 Robinson ..... D22/103  
D671,182 S \* 11/2012 Klotz ..... D22/103

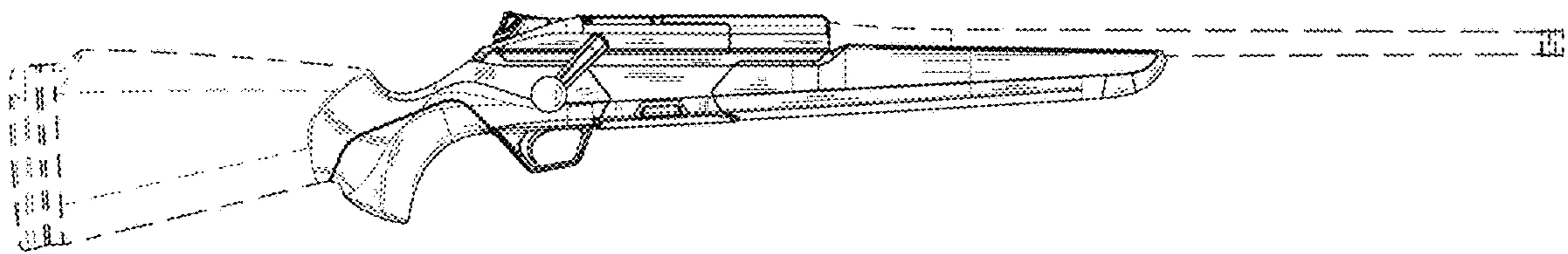
**1 Claim, 7 Drawing Sheets**



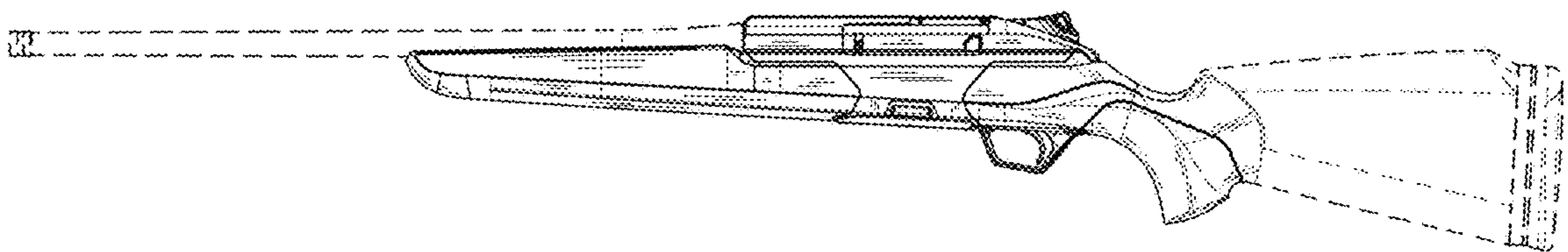
1.1



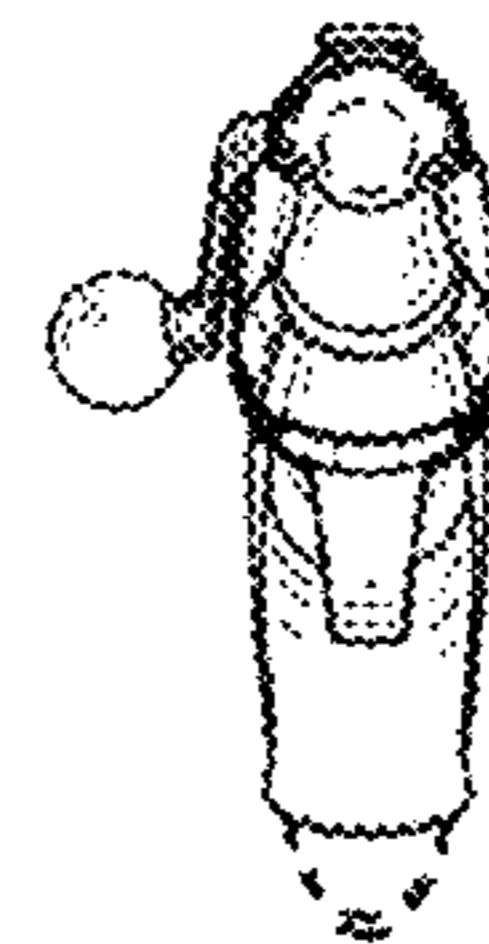
1.2



1.3



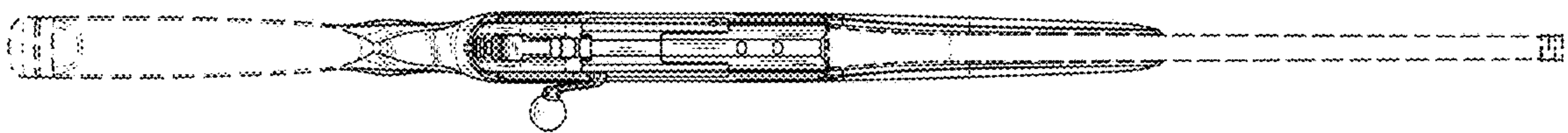
1.4



1.5



1.6



1.7

