

US00D973168S

(12) **United States Design Patent** (10) **Patent No.:** **US D973,168 S**  
**Rogers et al.** (45) **Date of Patent:** **\*\* Dec. 20, 2022**

(54) **LIFE JACKET**

(71) Applicants: **Michael Scott Rogers**, Rockledge, FL (US); **Kevin Iliff McCarthy**, Sammamish, WA (US)

(72) Inventors: **Michael Scott Rogers**, Rockledge, FL (US); **Kevin Iliff McCarthy**, Sammamish, WA (US)

(\*\*) Term: **15 Years**

(21) Appl. No.: **29/723,098**

(22) Filed: **Feb. 4, 2020**

(51) **LOC (13) Cl.** ..... **21-02**

(52) **U.S. Cl.**  
USPC ..... **D21/805**

(58) **Field of Classification Search**  
USPC ..... D21/804, 805; D29/100, 101.1, 101.4  
CPC ..... B63C 9/11; B63C 9/18; B63C 9/155  
See application file for complete search history.

(56) **References Cited**

U.S. PATENT DOCUMENTS

D228,811 S \* 10/1973 Maxy ..... D21/805  
D361,115 S \* 8/1995 Lucius ..... D21/805

D410,987 S \* 6/1999 Lucius ..... D21/805  
D422,666 S \* 4/2000 Wagner ..... D21/805  
D501,906 S \* 2/2005 Woods ..... D29/100  
8,834,222 B2 \* 9/2014 Ewing ..... B63C 9/11  
441/106  
9,756,883 B1 \* 9/2017 Luevano ..... A41D 31/04  
D855,725 S \* 8/2019 Borunda ..... D21/805  
11,247,756 B1 \* 2/2022 Olivo ..... B63C 9/115  
2021/0129956 A1 \* 5/2021 Cohen ..... A41D 13/1245

\* cited by examiner

*Primary Examiner* — Zenia I Bennett

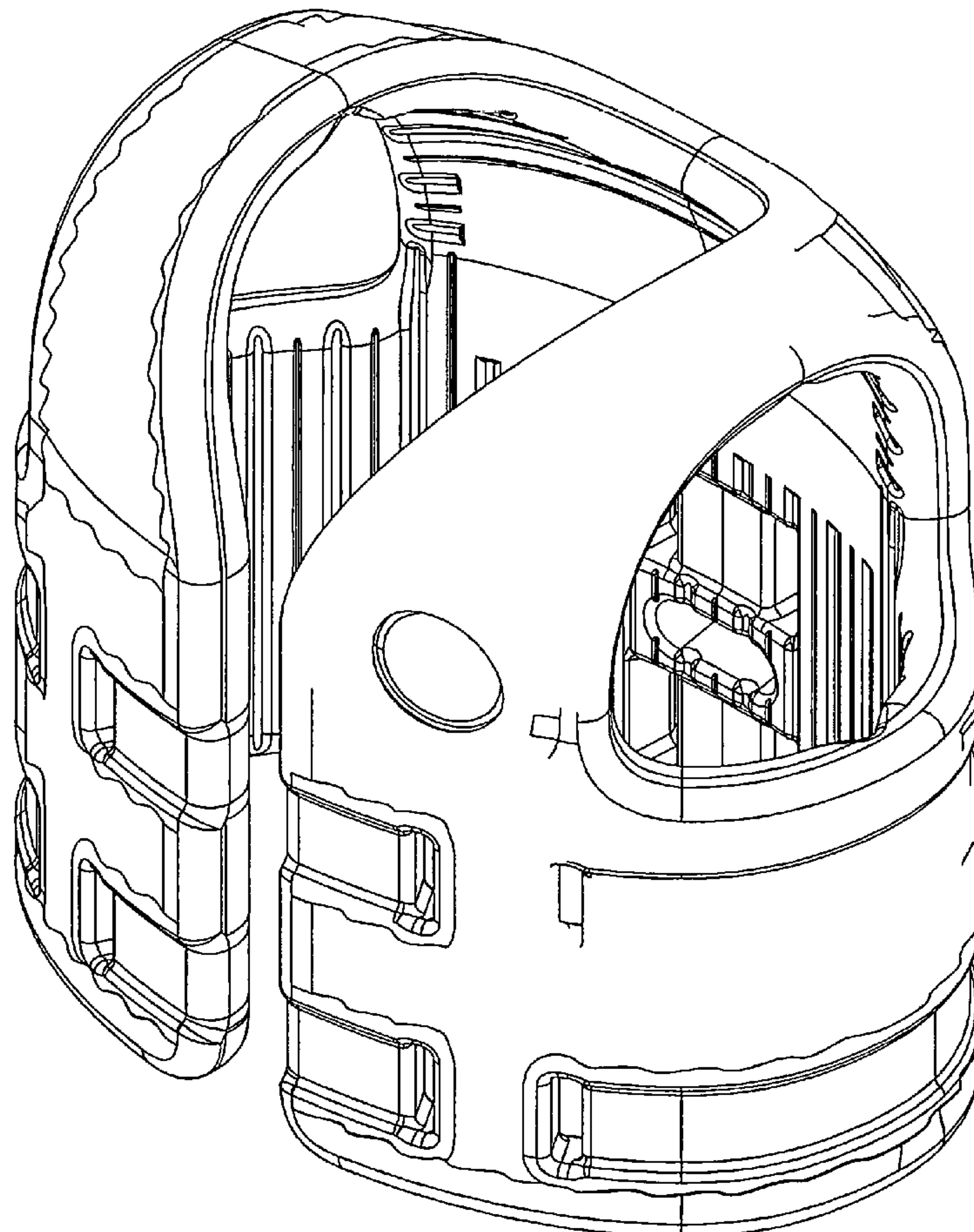
(57) **CLAIM**

The ornamental design for a life jacket, as shown and described.

**DESCRIPTION**

FIG. 1 is a perspective view of the life jacket showing our new design;  
FIG. 2 is a front view thereof;  
FIG. 3 is a left side view thereof;  
FIG. 4 is a right side view thereof;  
FIG. 5 is a top view thereof;  
FIG. 6 is a bottom view thereof;  
FIG. 7 is a cross-section view from line 7-7 in FIG. 4 thereof; and,  
FIG. 8 is a cross-section view from line 8-8 in FIG. 5 thereof.

**1 Claim, 8 Drawing Sheets**



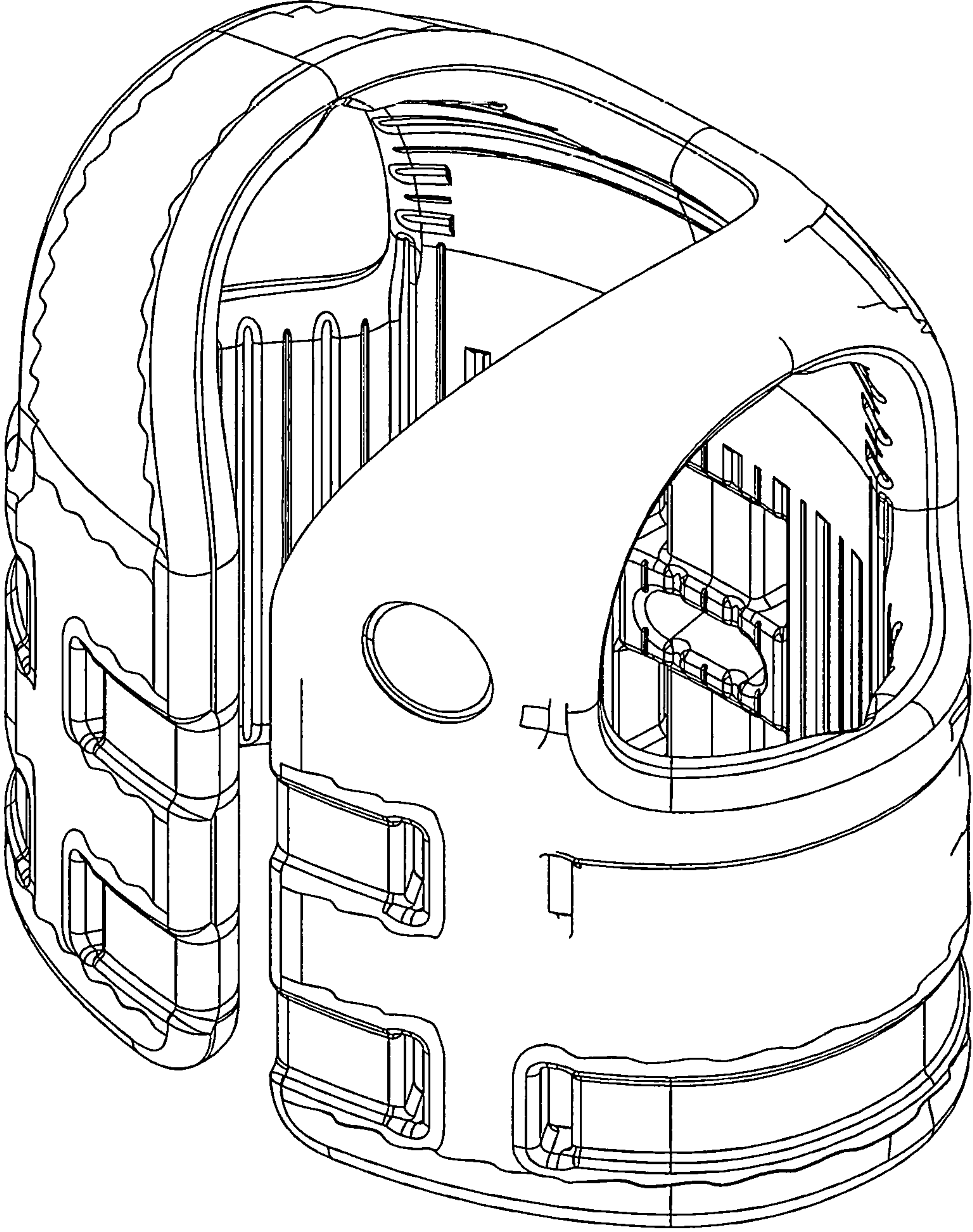


FIG. 1

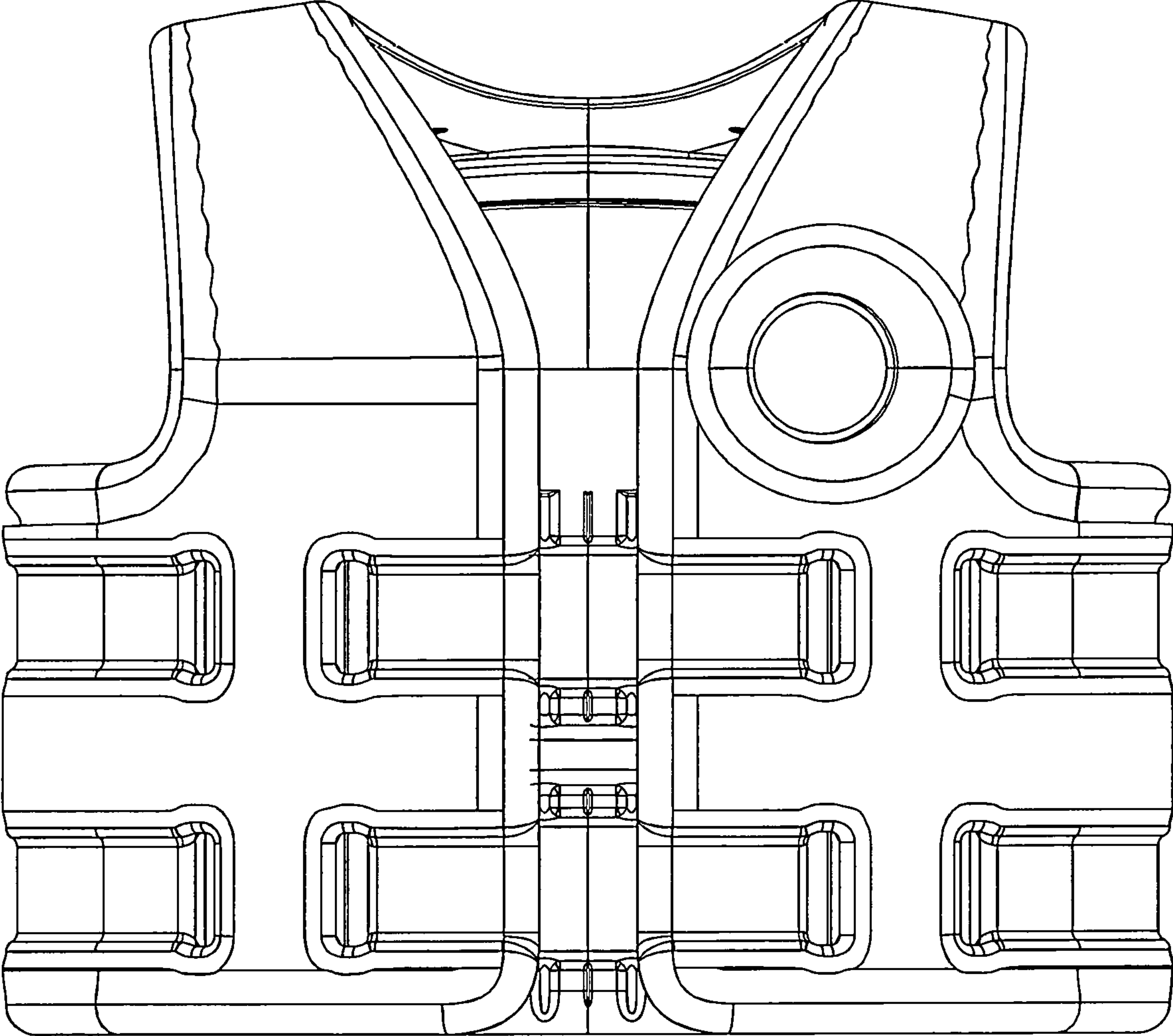


FIG. 2

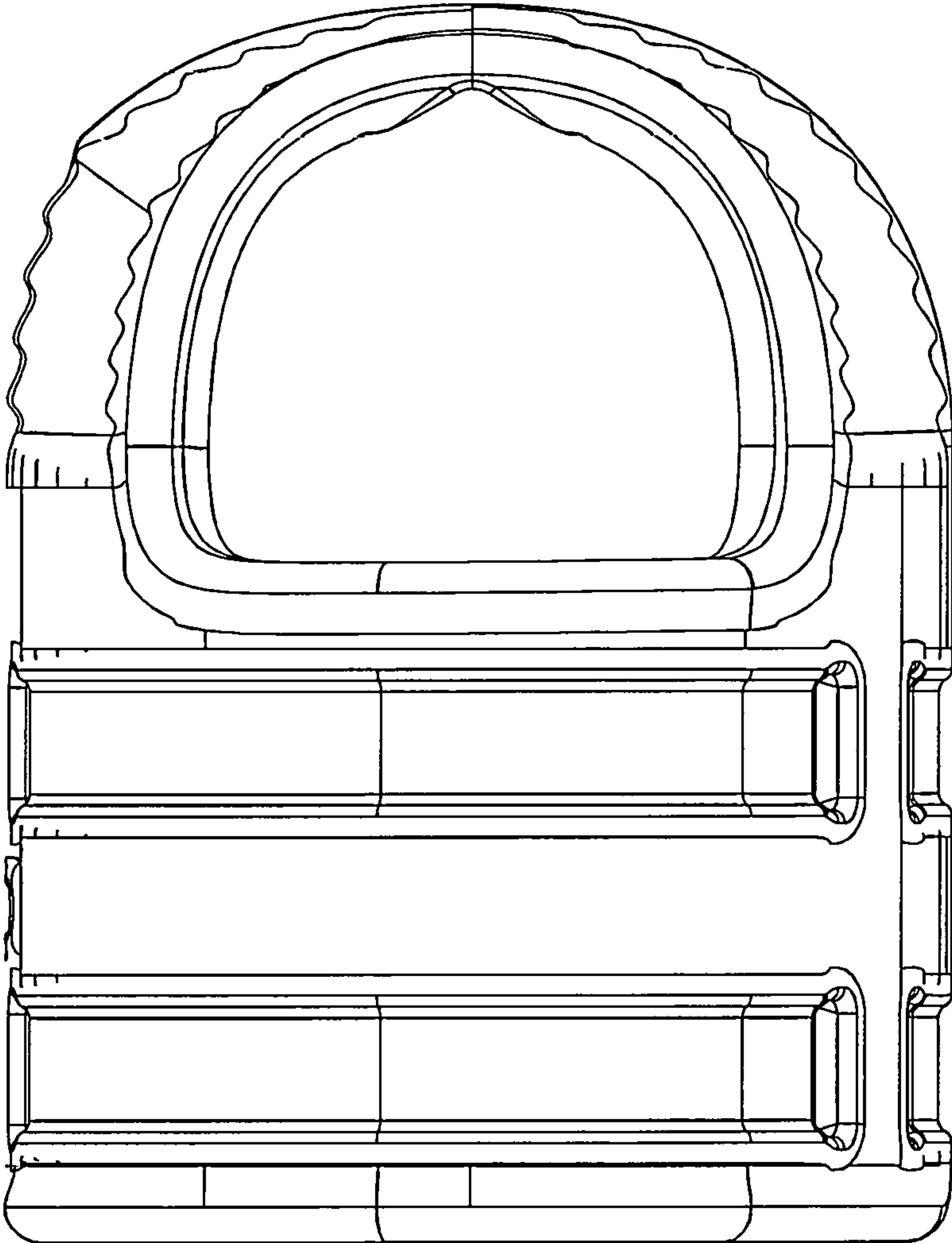


FIG. 3



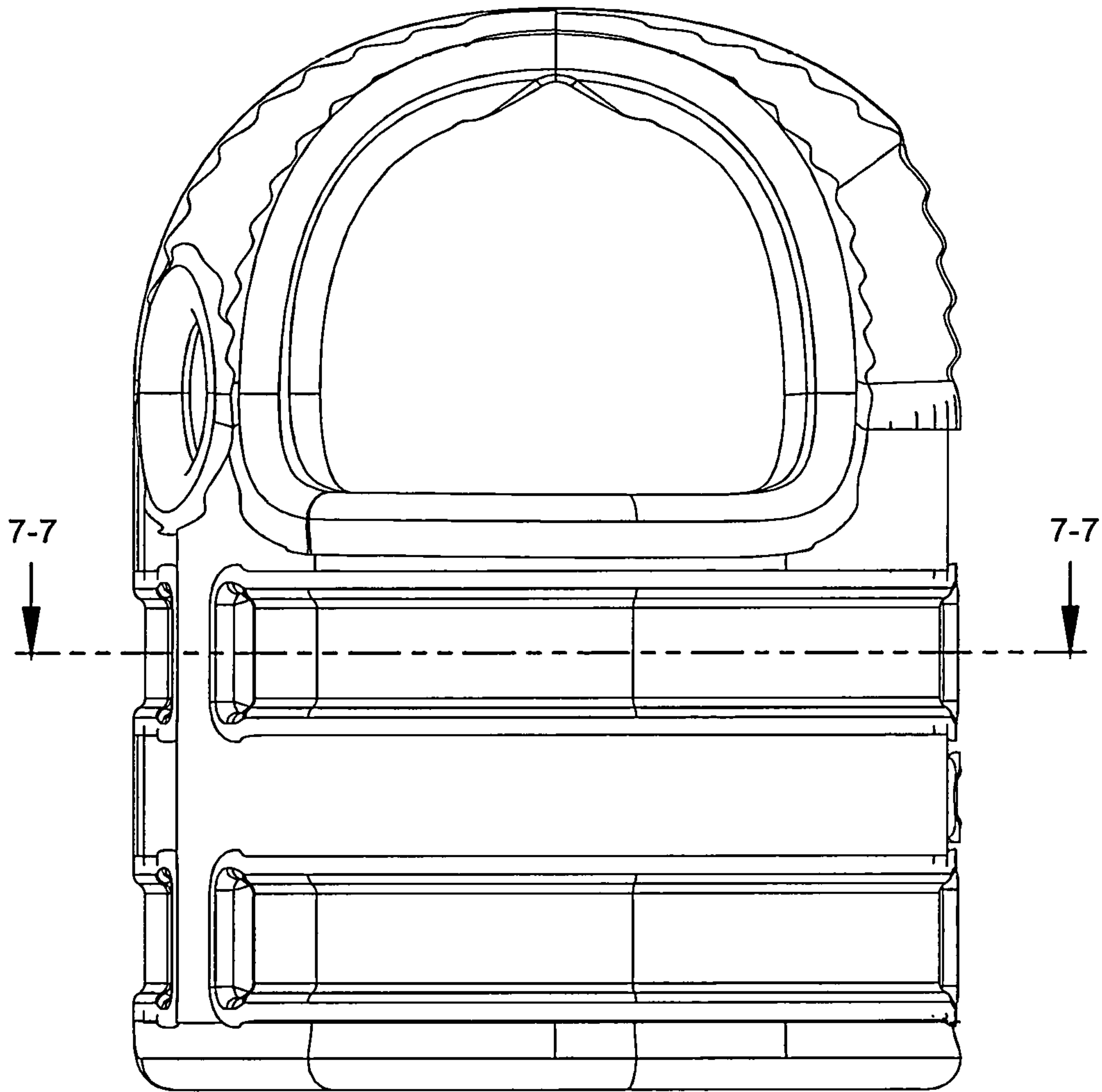


FIG. 4

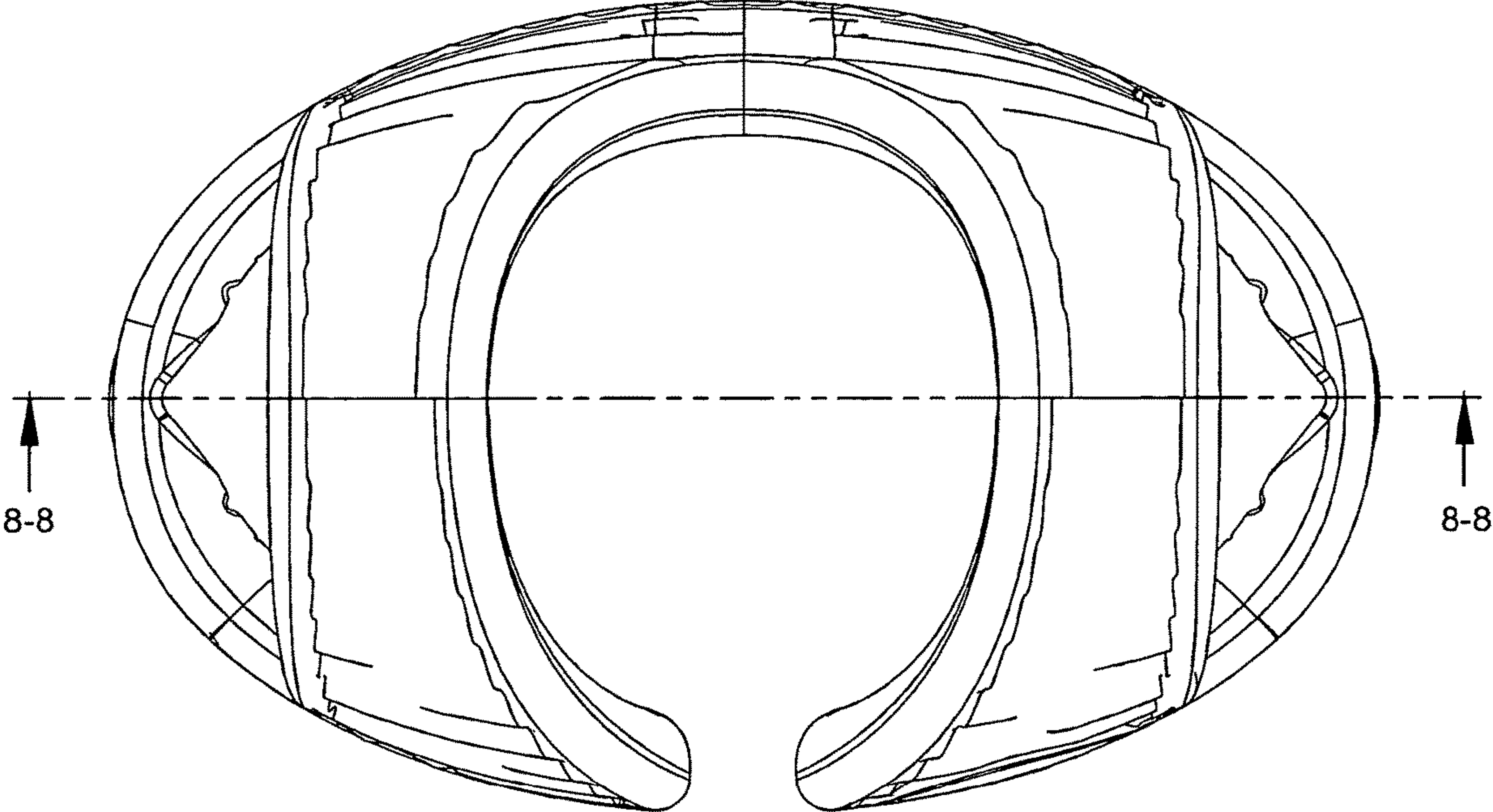


FIG. 5

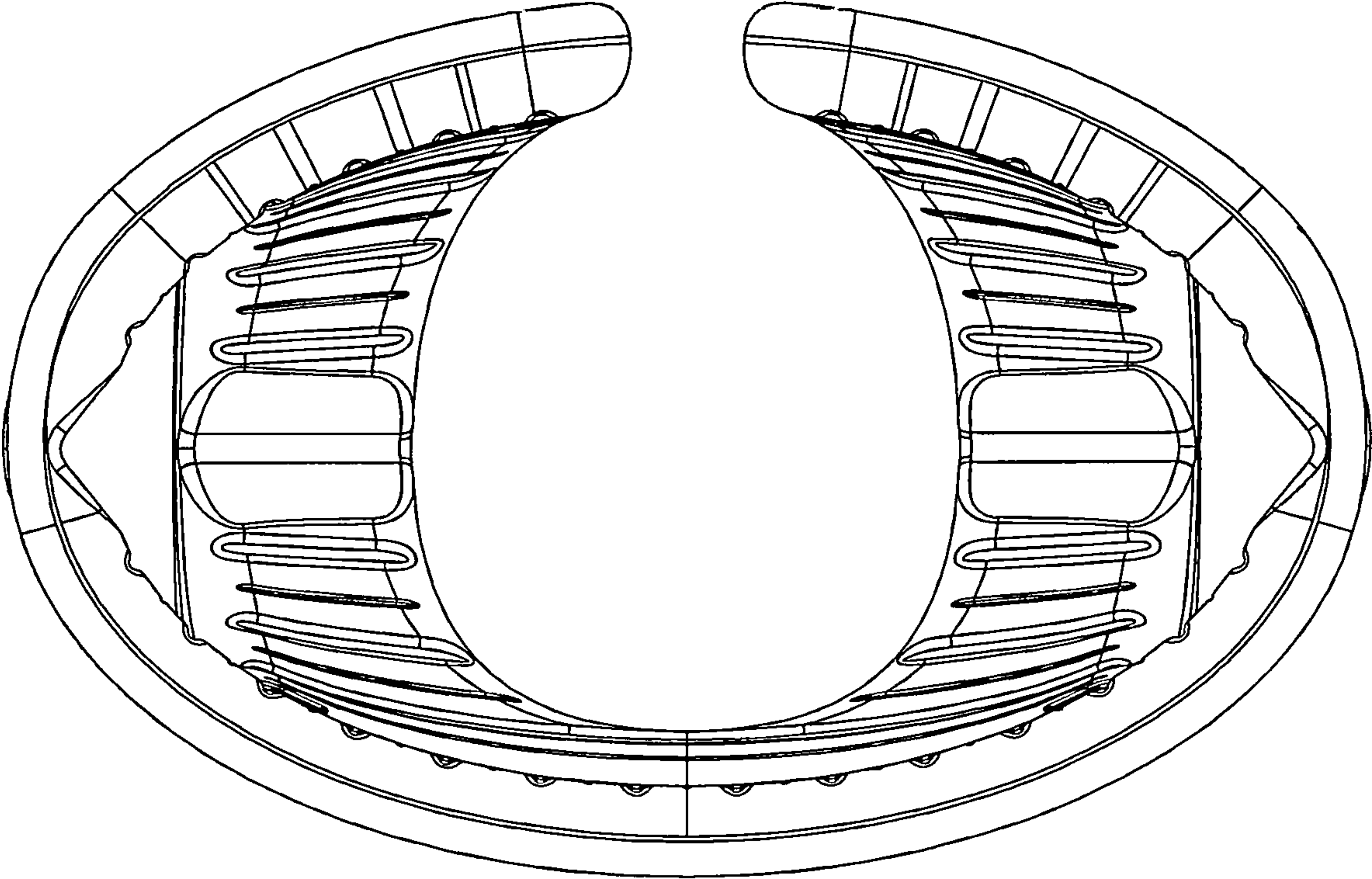
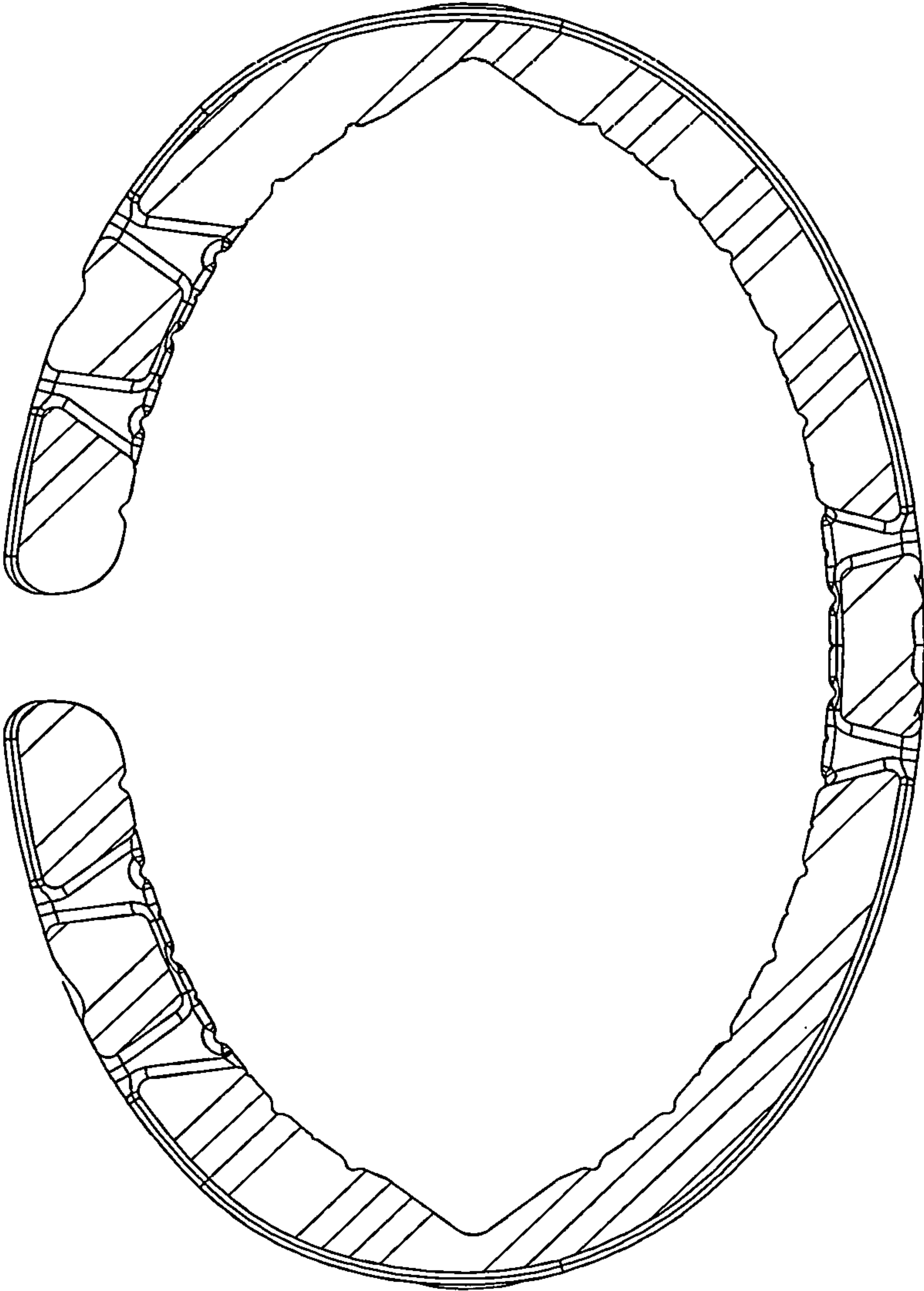


FIG. 6



**FIG. 7**



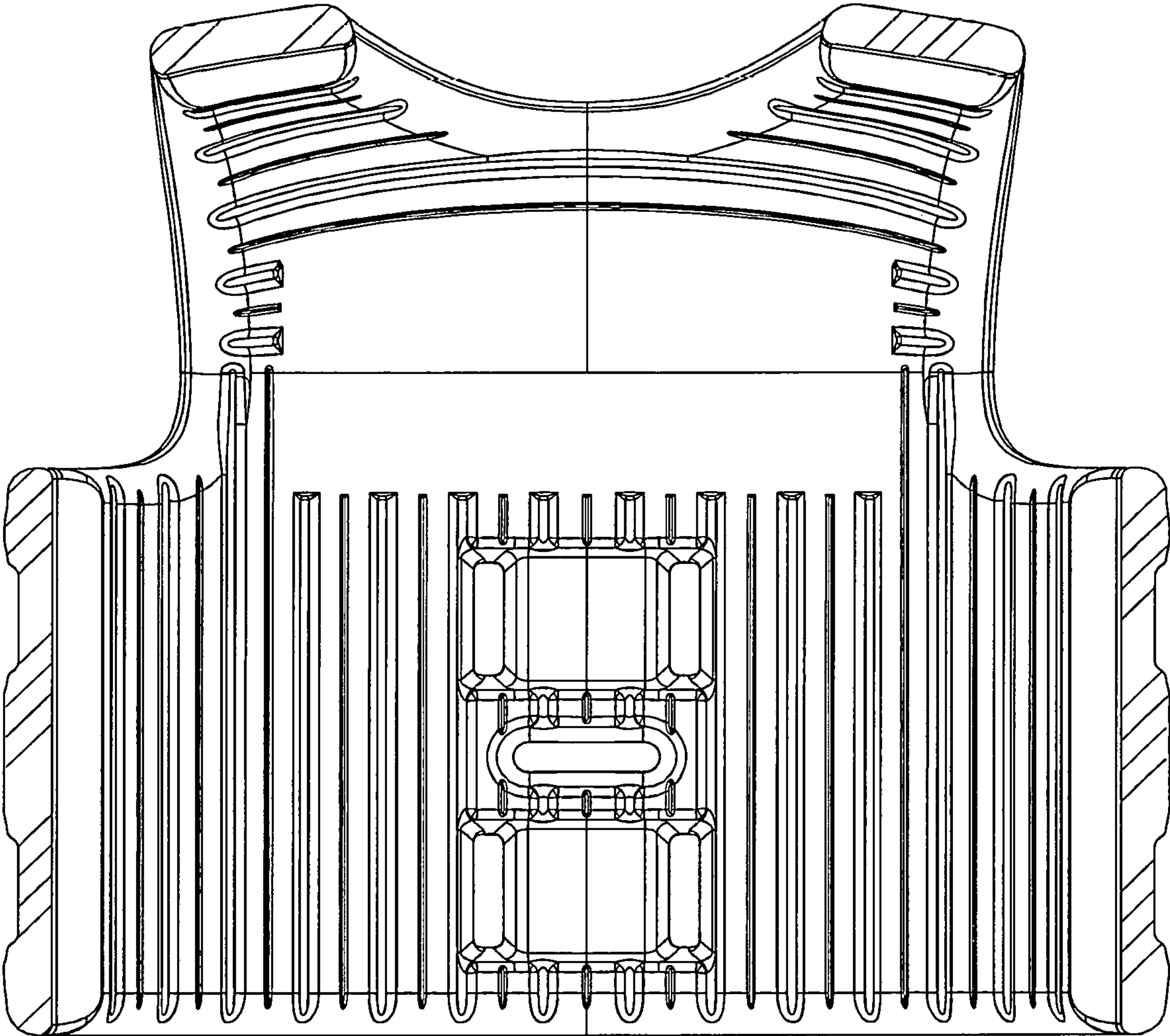


FIG. 8