

US00D973167S

(12) **United States Design Patent** (10) **Patent No.:** **US D973,167 S**  
**Parsons et al.** (45) **Date of Patent:** **\*\* Dec. 20, 2022**

(54) **GOLF CLUB HEAD**  
(71) Applicant: **PARSONS XTREME GOLF, LLC**,  
Scottsdale, AZ (US)  
(72) Inventors: **Robert R. Parsons**, Scottsdale, AZ  
(US); **Matthew T. Andrews**, Scottsdale,  
AZ (US)  
(73) Assignee: **PARSONS XTREME GOLF, LLC**,  
Scottsdale, AZ (US)  
(\*\*) Term: **15 Years**  
(21) Appl. No.: **29/833,444**  
(22) Filed: **Apr. 4, 2022**

1,538,312 A 5/1925 Neish  
1,543,691 A 6/1925 Beat  
1,774,590 A 9/1930 Buhrke  
D84,525 S 6/1931 Klin  
D94,549 S 2/1935 Jansky  
D94,550 S 2/1935 Jansky  
D138,437 S 8/1944 Link

(Continued)

**FOREIGN PATENT DOCUMENTS**

CN 1572343 A 2/2005  
CN 1608696 A 4/2005

(Continued)

**OTHER PUBLICATIONS**

Pxg drivers google search; google.com; Sep. 19, 2022.\*  
pxg.com; Sep. 19, 2022.\*

*Primary Examiner* — Mitchell I. Siegel

**Related U.S. Application Data**

(62) Division of application No. 29/803,551, filed on Aug.  
13, 2021, now Pat. No. Des. 952,085.  
(51) **LOC (13) Cl.** ..... **21-02**  
(52) **U.S. Cl.**  
USPC ..... **D21/759**  
(58) **Field of Classification Search**  
USPC ..... D21/733, 752, 759  
CPC ..... A63B 53/00; A63B 53/04; A63B 53/0466;  
A63B 2053/002; A63B 2053/0445; A63B  
2053/0433; A63B 2053/0491; A63B  
2053/0437; A63B 60/00; A63B 60/46  
See application file for complete search history.

(57)

**CLAIM**

The ornamental design for a golf club head, as shown and  
described.

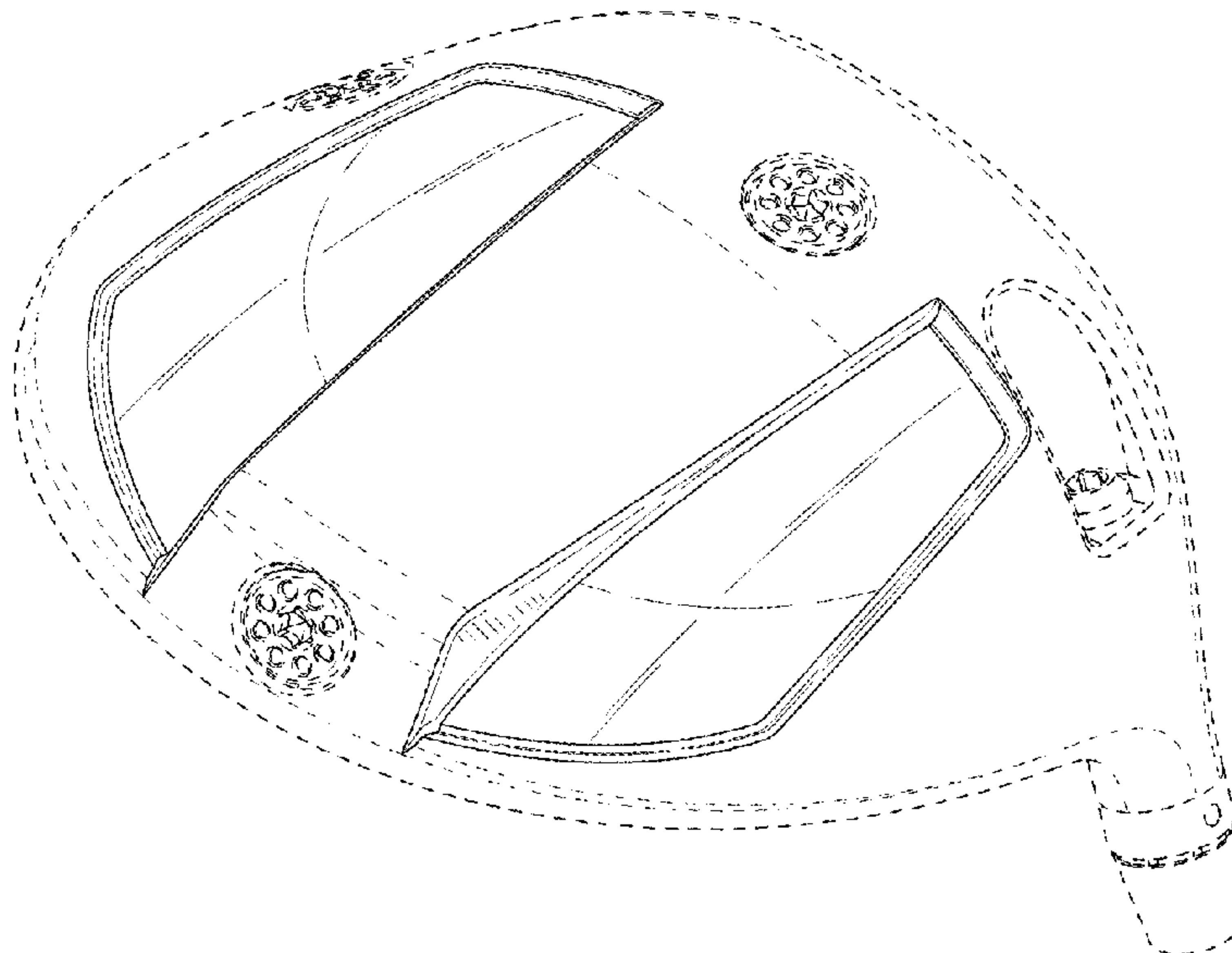
**DESCRIPTION**

FIG. 1 is a top perspective view of a golf club head;  
FIG. 2 is a bottom perspective view of the golf club head of  
FIG. 1;  
FIG. 3 is a front elevational view of the golf club head of  
FIG. 1;  
FIG. 4 is a rear elevational view of the golf club head of FIG.  
1;  
FIG. 5 is a top view of the golf club head of FIG. 1;  
FIG. 6 is a bottom view of the golf club head of FIG. 1;  
FIG. 7 is a left side view of the golf club head of FIG. 1; and,  
FIG. 8 is a right side view of the golf club head of FIG. 1.  
The broken lines shown on the drawings form no part of the  
claimed design.

(56) **References Cited**  
U.S. PATENT DOCUMENTS

1,133,129 A 3/1915 Govan  
1,269,745 A 6/1918 Robertson  
1,306,029 A 6/1919 Robertson  
D55,867 S 7/1920 Matters  
1,509,429 A 9/1924 Hillerich  
1,534,600 A 4/1925 Mattern

**1 Claim, 4 Drawing Sheets**



(56)

References Cited

U.S. PATENT DOCUMENTS

D138,438 S	8/1944	Link	
D138,439 S	8/1944	Link	
D138,441 S	8/1944	Link	
D138,442 S	8/1944	Link	
D185,177 S	5/1959	Smith	
3,556,533 A	1/1971	Hollis	
3,652,094 A	3/1972	Glover	
D229,431 S	11/1973	Baker	
D234,609 S	3/1975	Raymont	
D234,610 S	3/1975	Raymont	
D240,748 S	7/1976	Bock et al.	
D241,956 S	10/1976	Timbrook	
4,085,934 A	4/1978	Churchward	
D253,778 S	12/1979	Madison	
4,332,388 A	6/1982	Crow	
D285,954 S	9/1986	Hasegawa	
4,824,116 A	4/1989	Nagamoto et al.	
D307,783 S	5/1990	Iinuma	
D310,254 S	8/1990	Take et al.	
4,988,104 A	1/1991	Shiotani et al.	
D326,885 S	6/1992	Paul	
5,158,296 A	10/1992	Lee	
5,213,328 A	5/1993	Long et al.	
5,213,329 A	5/1993	Okumoto et al.	
D338,935 S	8/1993	Antonious	
D344,561 S	2/1994	Gorman	
D351,883 S	10/1994	Solheim et al.	
5,451,056 A	9/1995	Manning	
5,518,243 A	5/1996	Redman	
D371,816 S	7/1996	Yoshioka	
D378,111 S *	2/1997	Parente	D21/752
5,637,045 A	6/1997	Igarashi	
D384,120 S *	9/1997	De La Cruz	D21/752
5,788,584 A	8/1998	Parente et al.	
D400,625 S	11/1998	Kubica et al.	
D400,627 S	11/1998	Kubica et al.	
D401,989 S *	12/1998	Sheets	D21/733
D402,339 S *	12/1998	Sheets	D21/733
D402,340 S *	12/1998	Sheets	D21/733
D402,726 S *	12/1998	McCabe	D21/753
D405,489 S	2/1999	Kubica et al.	
D405,492 S	2/1999	Kubica et al.	
D433,073 S *	10/2000	Sodano	D21/752
D444,830 S	7/2001	Kubica et al.	
D448,824 S	10/2001	Koizumi et al.	
6,306,048 B1	10/2001	McCabe et al.	
D460,989 S	7/2002	Ehlers	
D469,141 S *	1/2003	Poynor	D21/759
D473,276 S	4/2003	Kenmi	
D473,604 S	4/2003	Antonious	
D478,140 S	8/2003	Burrows	
D481,087 S	10/2003	Antonious	
6,638,182 B2	10/2003	Kosmatka	
D491,992 S	6/2004	Baiocchi	
6,773,360 B2	8/2004	Willett et al.	
D502,520 S	3/2005	Dogan et al.	
D505,701 S	5/2005	Dogan et al.	
D508,969 S	8/2005	Hasebe	
6,939,247 B1	9/2005	Schweigert et al.	
D513,051 S	12/2005	Barez et al.	
D514,179 S	1/2006	Chen et al.	
D514,185 S	1/2006	Barez et al.	
D515,157 S	2/2006	Madore	
D515,642 S	2/2006	Antonious	
D518,129 S *	3/2006	Poynor	D21/759
D520,585 S	5/2006	Hasebe	
D520,586 S	5/2006	Bingman	
D521,093 S *	5/2006	Jorgensen	D21/759
D522,077 S	5/2006	Schweigert et al.	
D522,601 S	6/2006	Schweigert et al.	
D523,103 S	6/2006	Hocknell et al.	
D523,104 S	6/2006	Hasebe	
D523,498 S	6/2006	Chen et al.	
D523,502 S *	6/2006	Jorgensen	D21/752
D524,392 S	7/2006	Madore et al.	
D524,396 S	7/2006	Madore et al.	
D524,397 S	7/2006	Madore et al.	
D526,694 S	8/2006	Schweigert et al.	
D533,611 S	12/2006	Mahaffey et al.	
D534,229 S *	12/2006	Barez	D21/752
D534,599 S	1/2007	Barez et al.	
7,166,040 B2	1/2007	Hoffman et al.	
D536,401 S	2/2007	Kawami	
D536,402 S	2/2007	Kawami	
D536,403 S	2/2007	Kawami	
D537,495 S	2/2007	Schweigert et al.	
D538,363 S	3/2007	Schweigert et al.	
D538,371 S	3/2007	Kawami	
7,186,190 B1	3/2007	Beach et al.	
D541,364 S *	4/2007	Barez	D21/759
7,223,180 B2	5/2007	Willett et al.	
D550,318 S *	9/2007	Oldknow	D21/759
D552,198 S	10/2007	Schweigert et al.	
D554,719 S *	11/2007	Barez	D21/752
D554,720 S *	11/2007	Barez	D21/752
D556,280 S	11/2007	Madore	
D557,363 S	12/2007	Jertson et al.	
D558,287 S	12/2007	Jertson et al.	
D558,288 S	12/2007	Jertson et al.	
D560,262 S	1/2008	Nguyen et al.	
D561,856 S *	2/2008	Barez	D21/752
D562,421 S	2/2008	Jertson et al.	
D563,498 S	3/2008	Jertson et al.	
D564,054 S	3/2008	Jertson et al.	
D564,055 S	3/2008	Jertson et al.	
7,338,388 B2	3/2008	Schweigert et al.	
D567,317 S	4/2008	Jertson et al.	
D569,933 S	5/2008	Jertson et al.	
D569,934 S	5/2008	Jertson et al.	
D569,935 S	5/2008	Schweigert et al.	
D569,936 S	5/2008	Schweigert et al.	
D569,942 S	5/2008	Jertson et al.	
D570,937 S	6/2008	Schweigert et al.	
D570,938 S	6/2008	Jertson et al.	
7,407,447 B2	8/2008	Beach et al.	
7,410,425 B2	8/2008	Willett et al.	
7,410,426 B2	8/2008	Willett et al.	
7,419,441 B2	9/2008	Hoffman et al.	
D579,507 S	10/2008	Llewellyn et al.	
7,448,963 B2	11/2008	Beach et al.	
7,448,964 B2	11/2008	Schweigert et al.	
D584,782 S	1/2009	Barez et al.	
D584,783 S	1/2009	Barez et al.	
D584,784 S	1/2009	Barez et al.	
7,530,904 B2	5/2009	Beach et al.	
D594,520 S	6/2009	Schweigert et al.	
D594,521 S	6/2009	Jertson et al.	
D594,919 S	6/2009	Schweigert et al.	
7,540,811 B2	6/2009	Beach et al.	
D597,620 S	8/2009	Taylor et al.	
7,568,985 B2	8/2009	Beach et al.	
7,578,753 B2	8/2009	Beach et al.	
D600,297 S	9/2009	Jertson et al.	
7,591,738 B2	9/2009	Beach et al.	
D603,472 S	11/2009	Schweigert et al.	
7,611,424 B2	11/2009	Nagai et al.	
7,621,823 B2	11/2009	Beach et al.	
D605,715 S	12/2009	Barez et al.	
7,658,686 B2	2/2010	Soracco	
7,713,142 B2	5/2010	Hoffman et al.	
7,717,804 B2	5/2010	Beach et al.	
7,717,805 B2	5/2010	Beach et al.	
D618,746 S	6/2010	Jertson et al.	
D618,747 S	6/2010	Schweigert et al.	
D618,748 S *	6/2010	Oldknow	D21/759
D618,751 S	6/2010	Breier et al.	
D618,753 S	6/2010	Jertson et al.	
D618,754 S	6/2010	Schweigert et al.	
7,744,484 B1	6/2010	Chao	
7,798,203 B2	9/2010	Schweigert et al.	
7,846,041 B2	12/2010	Beach et al.	
D635,626 S	4/2011	Nicolette	
7,927,229 B2	4/2011	Jertson et al.	
D638,893 S	5/2011	Schweigert et al.	



(56)

References Cited

U.S. PATENT DOCUMENTS

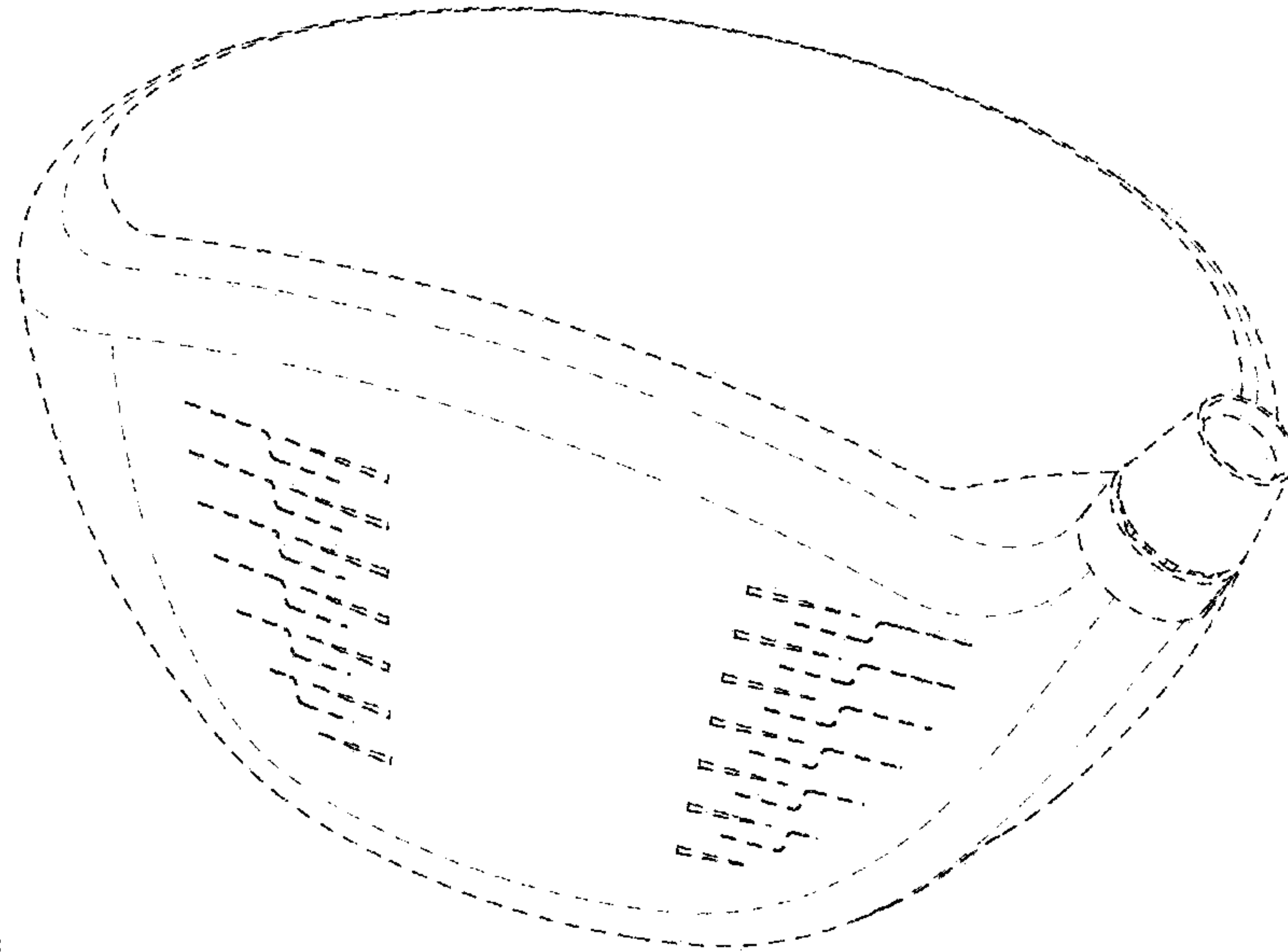
D638,896 S 5/2011 Schweigert et al.  
 7,963,861 B2 6/2011 Beach et al.  
 8,012,038 B1 9/2011 Beach et al.  
 D647,585 S 10/2011 Jertson et al.  
 D652,464 S 1/2012 Bertone et al.  
 D661,751 S 6/2012 Nicolette et al.  
 D661,756 S 6/2012 Nicolette et al.  
 8,257,196 B1 9/2012 Abbott et al.  
 8,262,506 B2\* 9/2012 Watson ..... A63B 53/0466  
 473/334  
 D673,630 S 1/2013 Schweigert  
 D673,632 S 1/2013 Schweigert et al.  
 8,371,957 B2 2/2013 Schweigert et al.  
 D680,179 S 4/2013 Solheim et al.  
 8,414,422 B2 4/2013 Peralta et al.  
 8,485,919 B2\* 7/2013 Rice ..... A63B 60/02  
 473/334  
 D691,230 S 10/2013 Chen et al.  
 8,562,457 B2 10/2013 Beach et al.  
 8,608,587 B2 12/2013 Henrikson et al.  
 8,628,431 B2 1/2014 Schweigert et al.  
 8,777,778 B2 7/2014 Solheim et al.  
 8,784,232 B2 7/2014 Jertson et al.  
 8,790,196 B2 7/2014 Solheim et al.  
 D712,989 S 9/2014 Gillig  
 D714,894 S\* 10/2014 Tang ..... D21/759  
 8,858,362 B1\* 10/2014 Leposky ..... A63B 53/0466  
 473/334  
 D724,164 S 3/2015 Schweigert et al.  
 8,979,671 B1\* 3/2015 DeMille ..... A63B 60/00  
 473/334  
 D726,848 S\* 4/2015 Song ..... D21/752  
 D726,854 S\* 4/2015 Song ..... D21/759  
 D729,892 S 5/2015 Nicolette et al.  
 D733,234 S 6/2015 Nicolette  
 9,199,140 B1 12/2015 Schweigert et al.  
 D746,927 S 1/2016 Parsons et al.  
 D753,251 S 4/2016 Schweigert et al.  
 D755,319 S 5/2016 Nicolette et al.  
 9,352,197 B2 5/2016 Parsons et al.  
 D759,178 S 6/2016 Nicolette  
 D760,334 S 6/2016 Schweigert et al.  
 9,399,158 B2 7/2016 Parsons et al.  
 D764,614 S 8/2016 Parsons et al.  
 D765,808 S 9/2016 Cardani et al.  
 D766,391 S 9/2016 Cardani et al.  
 D767,696 S 9/2016 Parsons et al.  
 D771,209 S\* 11/2016 Chen ..... D21/752  
 D776,216 S 1/2017 Schweigert et al.  
 D777,273 S\* 1/2017 Stokke ..... D21/759  
 D777,274 S\* 1/2017 Stokke ..... D21/759  
 D777,856 S\* 1/2017 Jertson ..... D21/752  
 D777,858 S\* 1/2017 Schweigert ..... D21/752  
 9,630,070 B2 4/2017 Parsons et al.  
 D786,377 S 5/2017 Parsons et al.  
 D791,257 S 7/2017 Oldknow et al.  
 D795,978 S 8/2017 Parsons et al.  
 D802,069 S\* 11/2017 Parsons ..... D21/752  
 D802,070 S 11/2017 Parsons et al.  
 D807,976 S 1/2018 Parsons et al.  
 D813,327 S\* 3/2018 Kim ..... D21/752  
 D821,514 S 6/2018 Sillies  
 D822,134 S 7/2018 Parsons et al.  
 D823,410 S 7/2018 Parsons et al.  
 D823,958 S\* 7/2018 Stokke ..... D21/752  
 D827,067 S 8/2018 Beक्टर et al.  
 D827,745 S 9/2018 Schweigert et al.

D839,372 S\* 1/2019 Schweigert ..... D21/752  
 D850,551 S 6/2019 Parsons et al.  
 D852,303 S 6/2019 Parsons et al.  
 D852,304 S 6/2019 Parsons et al.  
 D852,305 S 6/2019 Parsons et al.  
 10,376,754 B2 8/2019 Parsons et al.  
 D861,811 S\* 10/2019 Jertson ..... D21/752  
 D865,886 S 11/2019 Parsons et al.  
 10,695,624 B2 6/2020 Parsons et al.  
 10,722,765 B2 7/2020 Schweigert et al.  
 D897,462 S 9/2020 Parsons et al.  
 D897,463 S 9/2020 Parsons et al.  
 D897,464 S 9/2020 Parsons et al.  
 D914,817 S 3/2021 Parsons et al.  
 D914,820 S 3/2021 Parsons et al.  
 D920,454 S\* 5/2021 Chun ..... D21/752  
 D920,455 S\* 5/2021 Chun ..... D21/752  
 D920,456 S\* 5/2021 Song ..... D21/752  
 D921,786 S\* 6/2021 Parsons ..... D21/752  
 D921,787 S\* 6/2021 Parsons ..... D21/752  
 D923,732 S\* 6/2021 Parsons ..... D21/752  
 D925,674 S\* 7/2021 Song ..... D21/752  
 D926,901 S\* 8/2021 Parsons ..... D21/752  
 D930,098 S\* 9/2021 Kitching, Jr. .... D21/752  
 D930,773 S\* 9/2021 Parsons ..... D21/752  
 D930,774 S\* 9/2021 Nicolette ..... D21/752  
 D930,775 S\* 9/2021 Nicolette ..... D21/752  
 D930,776 S\* 9/2021 Song ..... D21/752  
 D931,391 S\* 9/2021 Chun ..... D21/752  
 D931,392 S\* 9/2021 Kitching, Jr. .... D21/752  
 D931,393 S\* 9/2021 Song ..... D21/752  
 D931,394 S\* 9/2021 Kitching, Jr. .... D21/752  
 D933,148 S\* 10/2021 Nicolette ..... D21/752  
 D933,149 S\* 10/2021 Kroloff ..... D21/752  
 D933,150 S\* 10/2021 Kroloff ..... D21/752  
 D933,151 S\* 10/2021 Kroloff ..... D21/752  
 D938,535 S\* 12/2021 Parsons ..... D21/752  
 D940,801 S\* 1/2022 Parsons ..... D21/752  
 D941,946 S\* 1/2022 Parsons ..... D21/752  
 D952,085 S\* 5/2022 Parsons ..... D21/752  
 2006/0105856 A1 5/2006 Lo  
 2006/0111200 A1 5/2006 Poynor  
 2007/0293344 A1 12/2007 Davis  
 2008/0188322 A1 8/2008 Anderson et al.  
 2009/0029795 A1 1/2009 Schweigert et al.  
 2010/0144461 A1 6/2010 Ban  
 2011/0143858 A1 6/2011 Peralta et al.  
 2012/0202615 A1\* 8/2012 Beach ..... A63B 60/52  
 473/338  
 2013/0303304 A1 11/2013 Sato  
 2019/0314690 A1 10/2019 Schweigert et al.  
 2020/0215397 A1 7/2020 Parsons et al.  
 2020/0230471 A1 7/2020 Parsons et al.

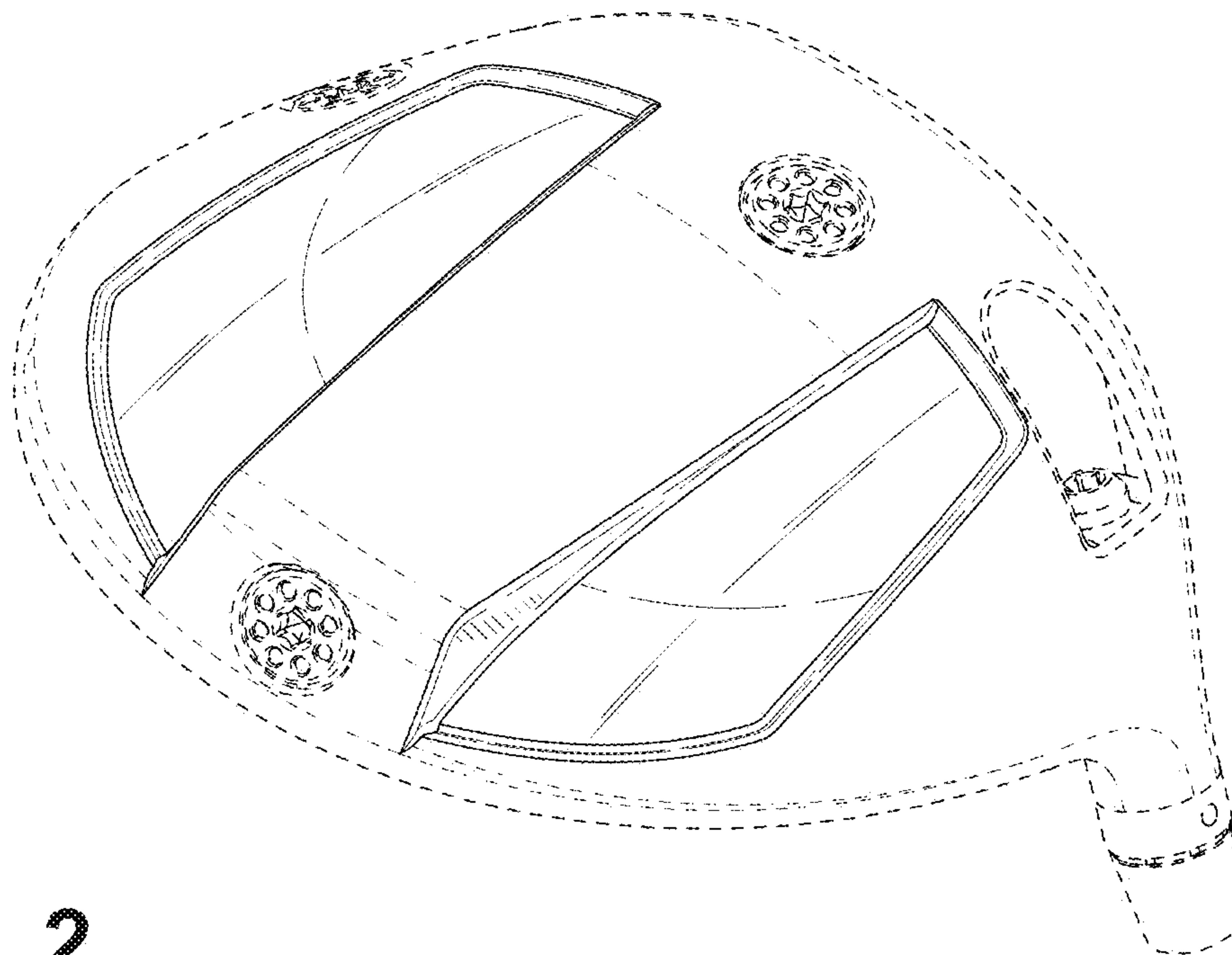
FOREIGN PATENT DOCUMENTS

CN 203108126 U 8/2013  
 CN 102143783 B 2/2014  
 CN 203790537 U 8/2014  
 EP 1955740 A1 8/2008  
 JP H10241003 A 9/1998  
 JP H119742 A 1/1999  
 JP 2002535056 A 10/2002  
 JP 2005287679 A 10/2005  
 JP 2006223331 A 8/2006  
 JP 2007136068 A 6/2007  
 JP 20080173314 7/2008  
 JP 3158662 U 4/2010  
 JP 2013544178 A5 11/2015

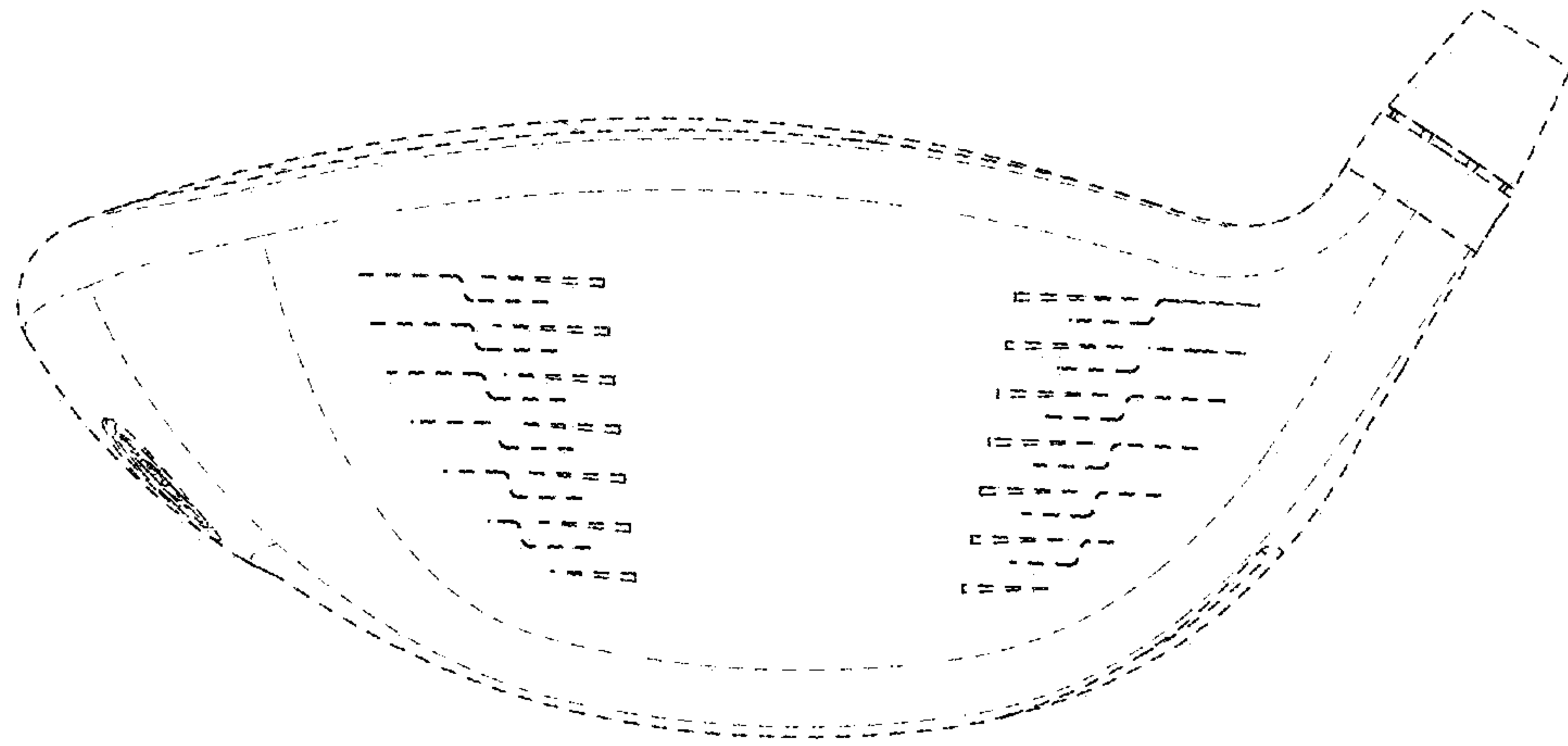
\* cited by examiner



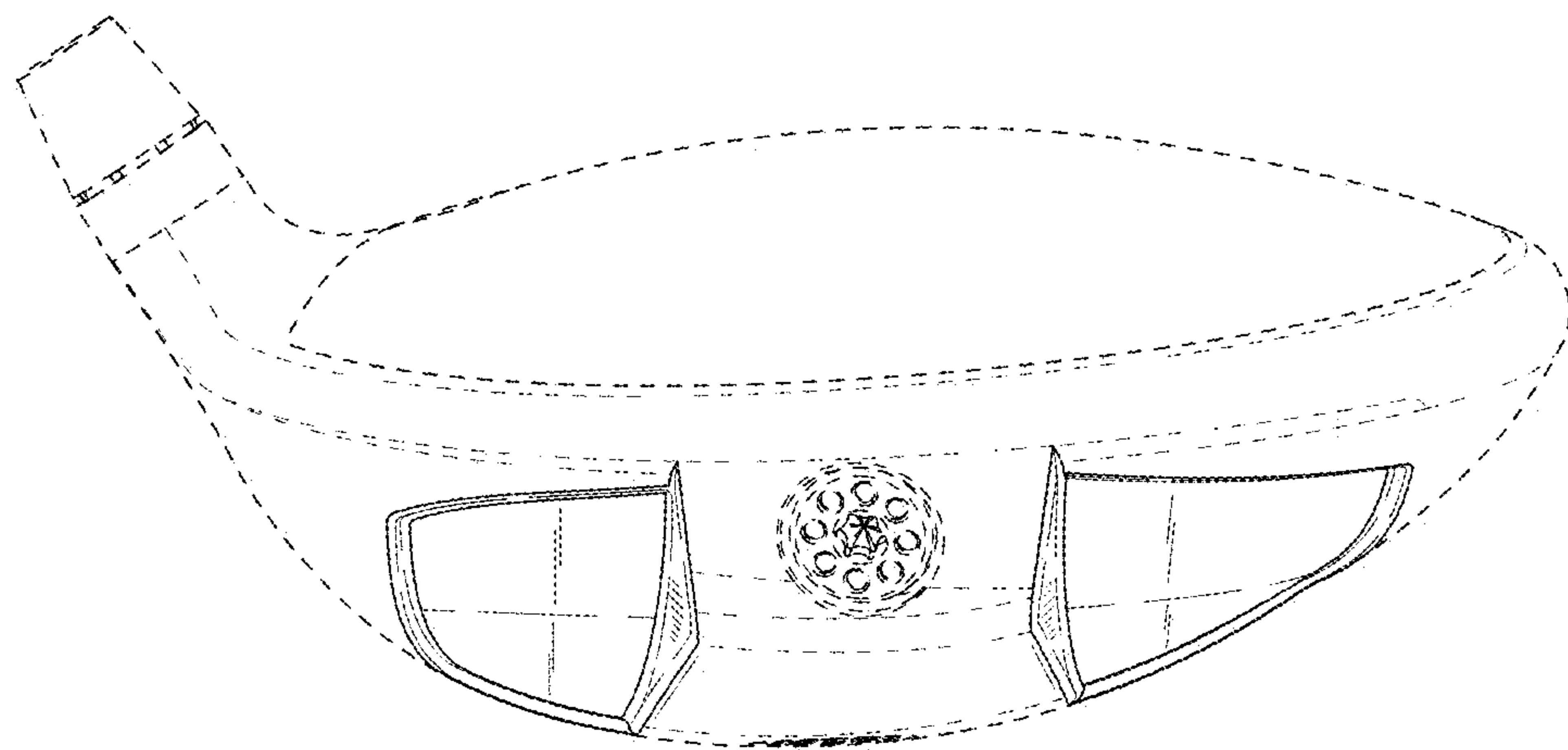
**FIG. 1**



**FIG. 2**

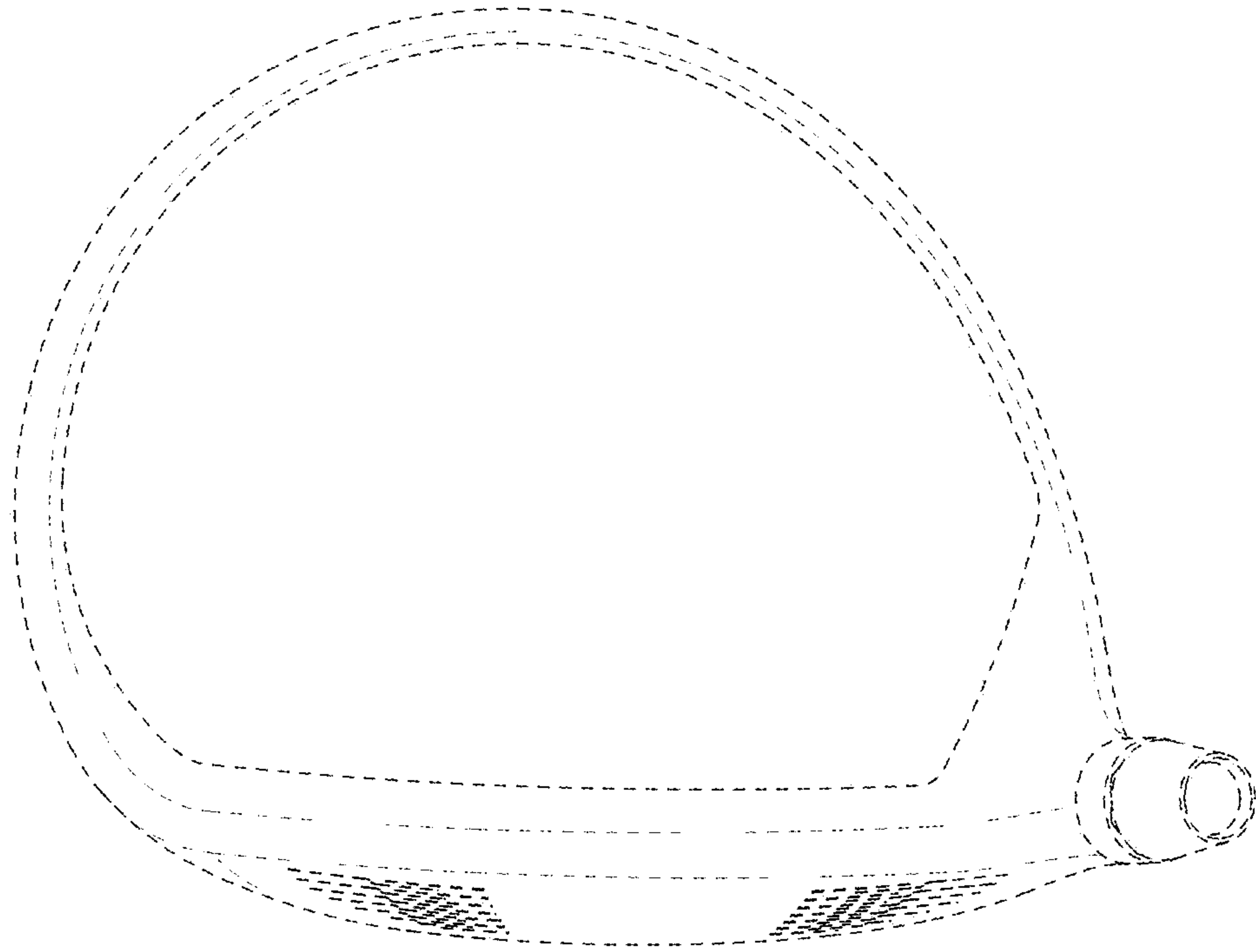


**FIG. 3**

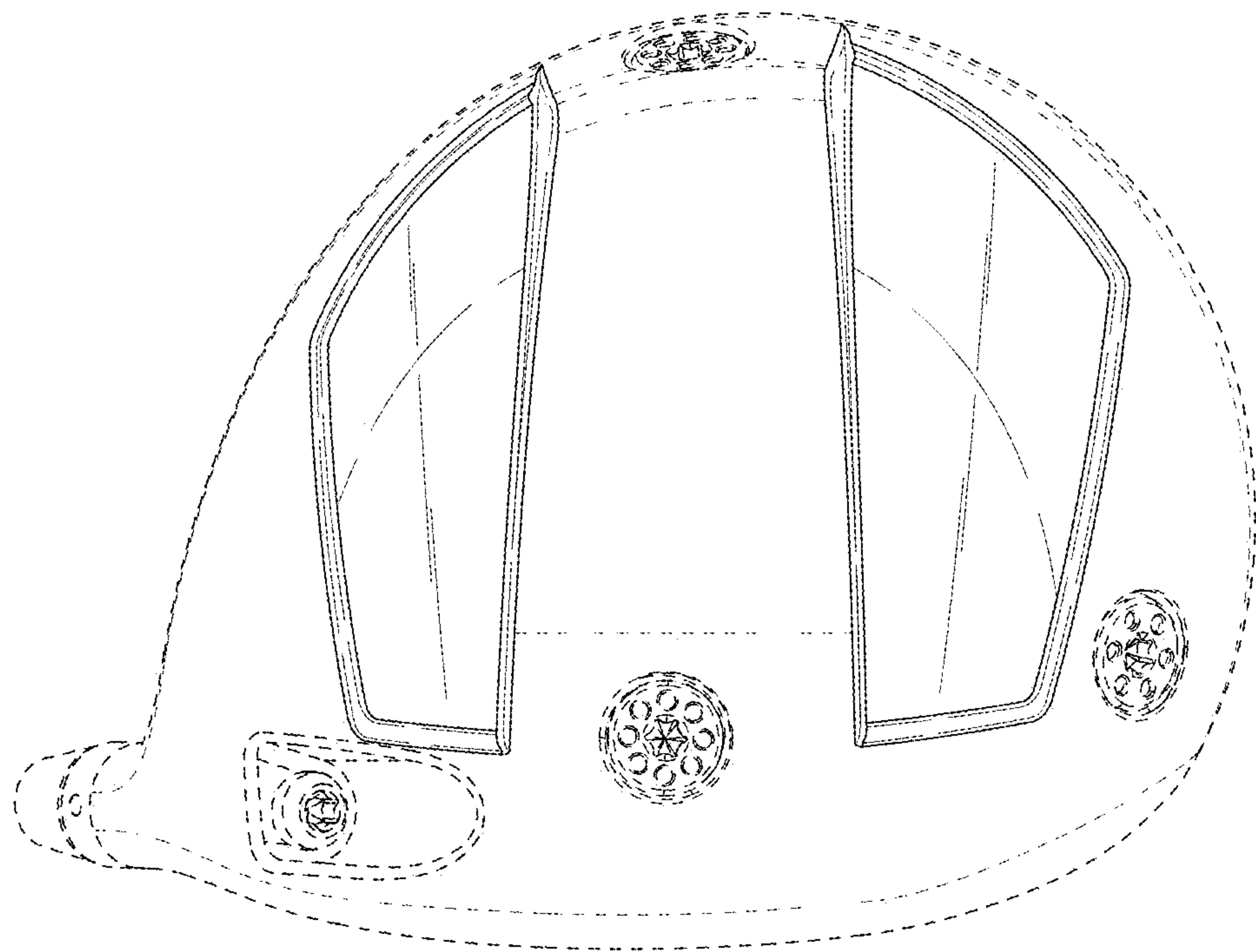


**FIG. 4**

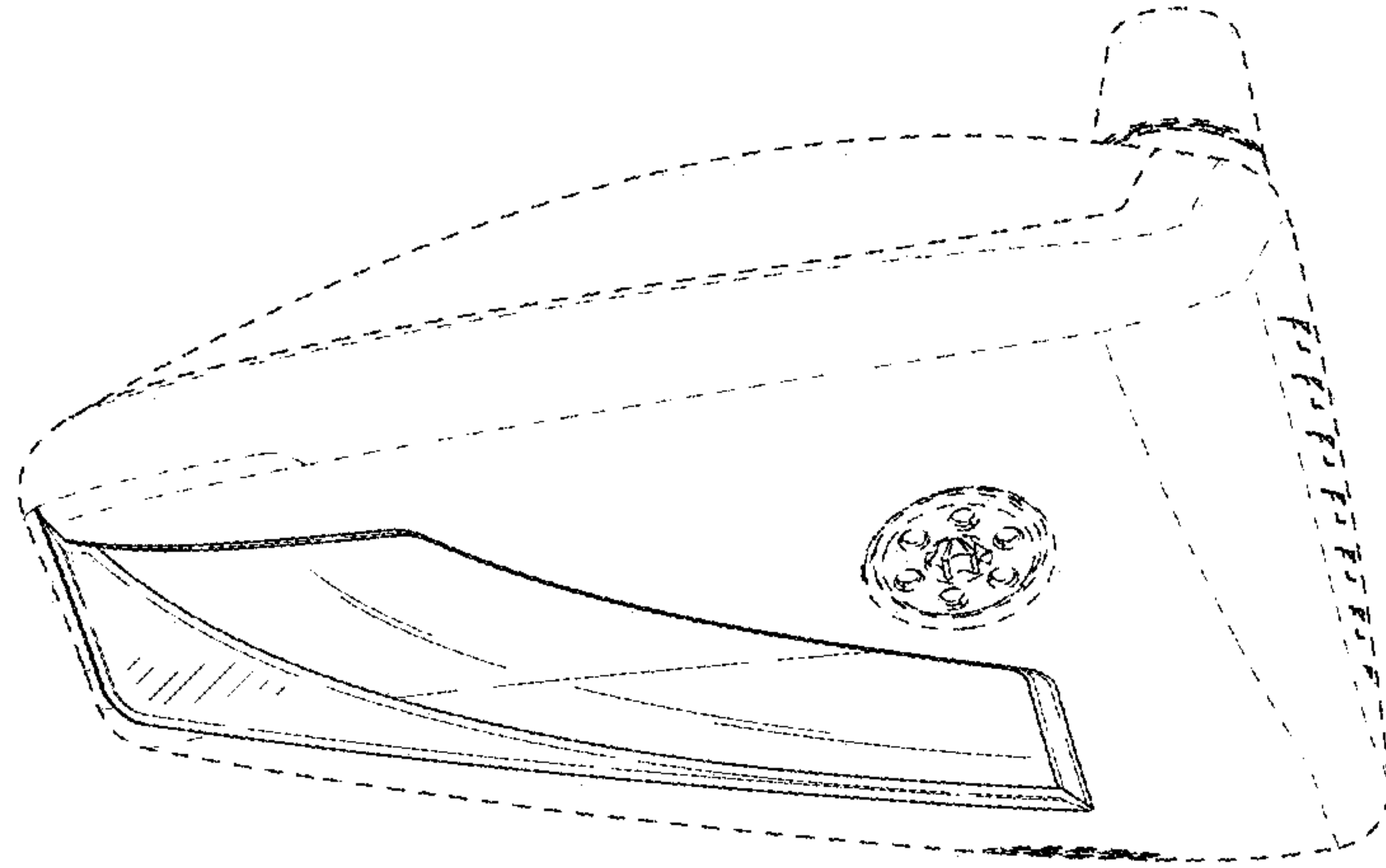




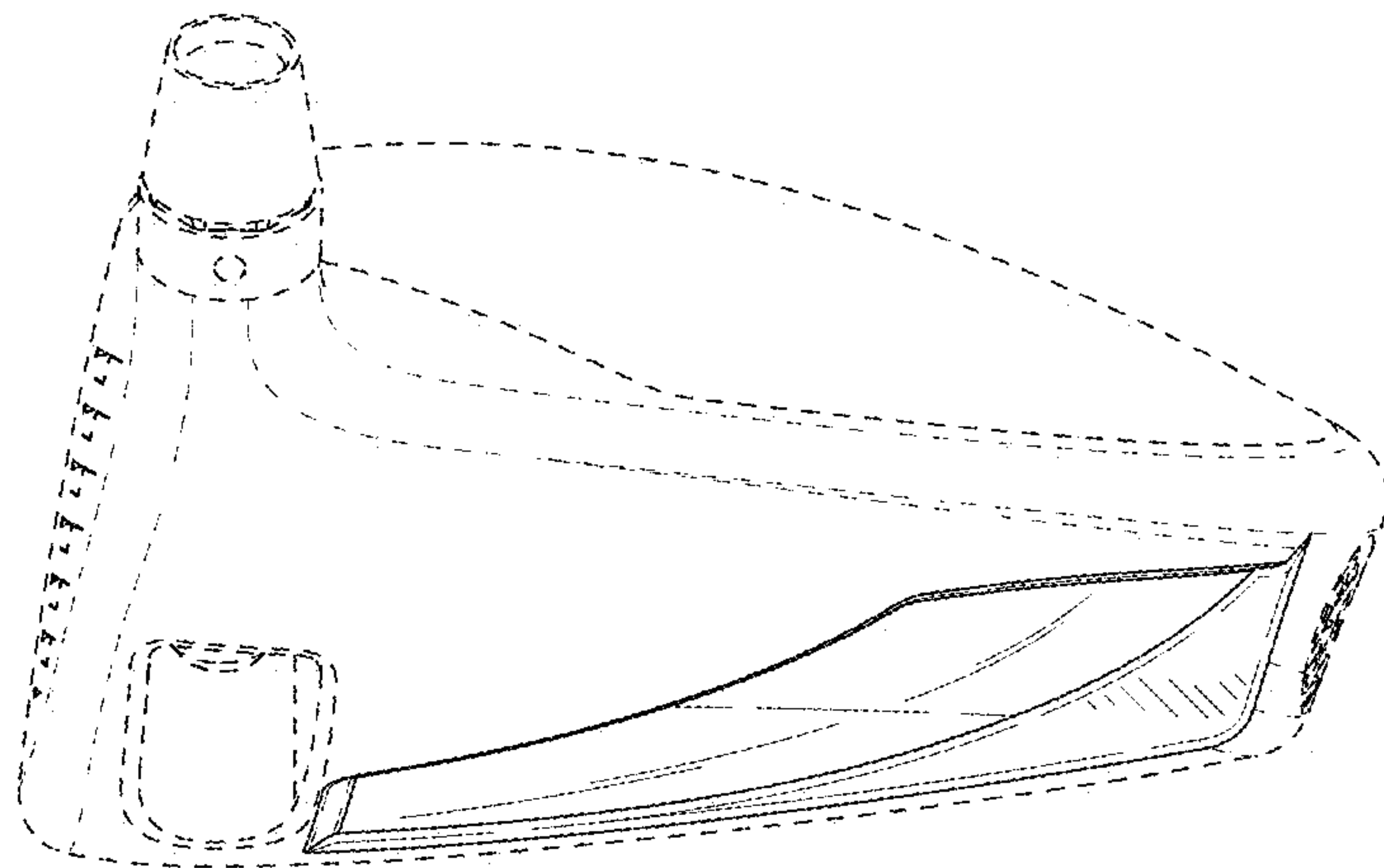
**FIG. 5**



**FIG. 6**



**FIG. 7**



**FIG. 8**