



US00D973163S

(12) **United States Design Patent**  
**Clarke et al.**

(10) **Patent No.:** **US D973,163 S**  
(45) **Date of Patent:** **\*\* Dec. 20, 2022**

(54) **GOLF CLUB HEAD**

(71) Applicant: **KARSTEN MANUFACTURING CORPORATION**, Phoenix, AZ (US)

(72) Inventors: **Jacob T. Clarke**, Apex, NC (US);  
**Murphy R. Alexander**, Scottsdale, AZ (US);  
**Anthony D. Serrano**, Phoenix, AZ (US)

(73) Assignee: **Karsten Manufacturing Corporation**, Phoenix, AZ (US)

(\*\*) Term: **15 Years**

(21) Appl. No.: **29/767,546**

(22) Filed: **Jan. 22, 2021**

(51) **LOC (13) Cl.** ..... **21-02**

(52) **U.S. Cl.**  
USPC ..... **D21/744**

(58) **Field of Classification Search**  
USPC ..... D21/736-746, 759  
CPC ..... A63B 53/00; A63B 53/04; A63B 53/007;  
A63B 53/065; A63B 53/0487; A63B  
60/00; A63B 60/46  
See application file for complete search history.

(56) **References Cited**

**U.S. PATENT DOCUMENTS**

D240,751 S \* 7/1976 Taylor ..... D21/734  
4,659,083 A \* 4/1987 Szczepanski ..... A63B 69/3685  
D21/745  
D298,767 S \* 11/1988 Szczepanski ..... D21/744  
D316,129 S 4/1991 Bryson  
D375,131 S 10/1996 Williams  
D380,029 S \* 6/1997 Anderson ..... D21/745  
D399,900 S 10/1998 Hogan  
D401,636 S \* 11/1998 Duclos ..... D21/742  
D444,194 S \* 6/2001 Calabro ..... D21/738  
6,379,259 B1 4/2002 Opie

D488,526 S 4/2004 Souza  
D496,417 S 9/2004 Tang  
D500,109 S 12/2004 Solheim  
D500,110 S 12/2004 Solheim  
6,837,801 B1 1/2005 Souza  
6,878,071 B1 4/2005 Schweiger  
6,893,355 B2 5/2005 Souza  
6,902,496 B2 6/2005 Solheim  
D507,317 S 7/2005 Gamer  
D507,612 S 7/2005 Souza  
D508,273 S 8/2005 Gamer  
6,926,615 B1 8/2005 Souza  
6,960,140 B2 11/2005 Solheim  
6,966,845 B2 11/2005 Solheim  
6,988,955 B2 \* 1/2006 Stoakes ..... A63B 53/0487  
473/340

D520,584 S 5/2006 Karlsen  
(Continued)

**FOREIGN PATENT DOCUMENTS**

JP 1587422 10/2017

*Primary Examiner* — Mitchell I. Siegel

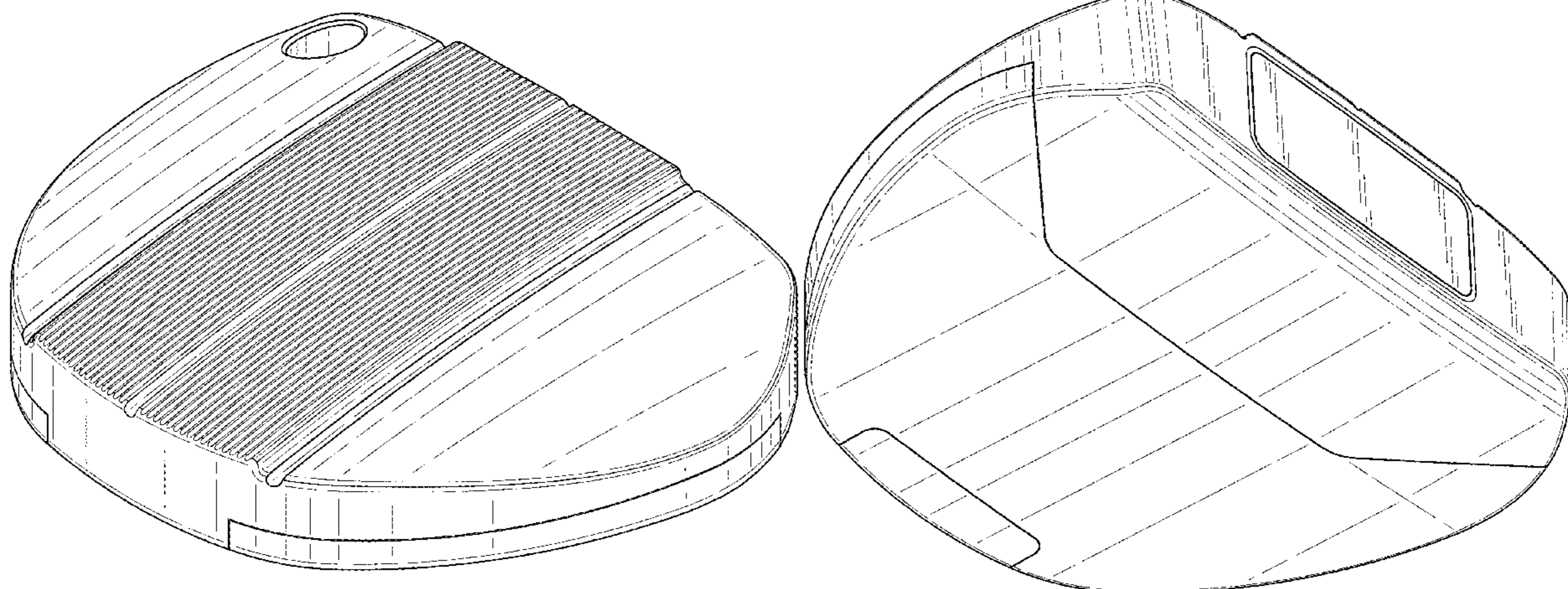
(57) **CLAIM**

The ornamental design for a golf club head, as shown and described.

**DESCRIPTION**

FIG. 1 is a top perspective view of a golf club head;  
FIG. 2 is a bottom perspective view of the golf club head of FIG. 1;  
FIG. 3 is a top view of the golf club head of FIG. 1;  
FIG. 4 is a bottom view of the golf club head of FIG. 1;  
FIG. 5 is a front view of the golf club head of FIG. 1;  
FIG. 6 is a rear view of the golf club head of FIG. 1;  
FIG. 7 is a heel side view of the golf club head of FIG. 1;  
and,  
FIG. 8 is a toe side view of the golf club head of FIG. 1.  
The broken lines shown form no part of the claimed design.

**1 Claim, 6 Drawing Sheets**



(56)

References Cited

U.S. PATENT DOCUMENTS

D521,582 S	5/2006	Souza	
7,052,411 B2	5/2006	Solheim	
D522,598 S	6/2006	Solheim	
7,077,758 B2	7/2006	Rohrer	
7,086,957 B2	8/2006	Solheim	
D527,777 S	9/2006	Solheim	
D529,108 S	9/2006	Stites	
D533,243 S	12/2006	Fife, Jr.	
D543,598 S *	5/2007	Kuan .....	D21/736
7,235,021 B2	6/2007	Solheim	
D548,295 S	8/2007	Jertson	
7,255,650 B2	8/2007	Bryant	
D552,197 S	10/2007	Wells	
D557,361 S	12/2007	Rollinson	
D565,137 S	3/2008	Oldknow	
D569,460 S	4/2008	Walker et al.	
D569,462 S	5/2008	Rollinson	
7,374,497 B2	5/2008	Brown	
D571,879 S	6/2008	Jones et al.	
D574,907 S	8/2008	Jones et al.	
D575,366 S	8/2008	Rollinson	
D581,473 S	11/2008	Thomas	
D583,003 S	12/2008	Solheim	
D587,325 S	2/2009	Solheim	
D594,073 S	6/2009	Kadoya	
D595,793 S	7/2009	Rollinson	
D600,760 S	9/2009	Serrano	
D600,761 S	9/2009	Solheim	
D600,762 S	9/2009	Serrano	
D607,950 S	1/2010	Souza	
D621,458 S	8/2010	Serrano	
D621,460 S	8/2010	Serrano	
D621,461 S	8/2010	Serrano	
D621,462 S	8/2010	Serrano	
D621,891 S	8/2010	Serrano	
D623,710 S	9/2010	Hilton	
7,803,066 B2	9/2010	Solheim	
D638,891 S	5/2011	Nicolette	
D643,080 S	8/2011	Serrano	
D643,485 S	8/2011	Nicolette	
D643,486 S	8/2011	Serrano	
D643,487 S	8/2011	Serrano	
8,100,779 B2	1/2012	Solheim	
D653,718 S	2/2012	Stokke	
8,109,838 B2	2/2012	Solheim	
D664,617 S	7/2012	Serrano	
D715,388 S *	10/2014	Serrano .....	D21/743
D750,186 S	2/2016	Schweigert	
D774,607 S *	12/2016	Serrano .....	D21/743
D774,610 S *	12/2016	Serrano .....	D21/744
D783,101 S	4/2017	Schweigert	
D793,502 S	8/2017	Cardani	
D797,222 S	9/2017	Serrano	
D832,950 S *	11/2018	Serrano .....	D21/746
10,124,221 B2	11/2018	Rollinson	
D840,482 S	2/2019	Serrano	
D842,952 S	3/2019	Schweigert	
D848,562 S	5/2019	Nicolette	
D852,911 S	7/2019	Wang	
D861,092 S	9/2019	Glorioso	
D879,222 S *	3/2020	Serrano .....	D21/742
D898,848 S *	10/2020	Clarke .....	D21/743
D929,516 S *	8/2021	Wang .....	D21/744
D934,363 S *	10/2021	Serrano .....	D21/746
2006/0094533 A1	5/2006	Warren	
2007/0191135 A1	8/2007	Nilsson	
2010/0227704 A1	9/2010	Souza	
2017/0036078 A1 *	2/2017	Serrano .....	A63B 53/0487
2020/0147460 A1 *	5/2020	Serrano .....	A63B 53/0487

\* cited by examiner

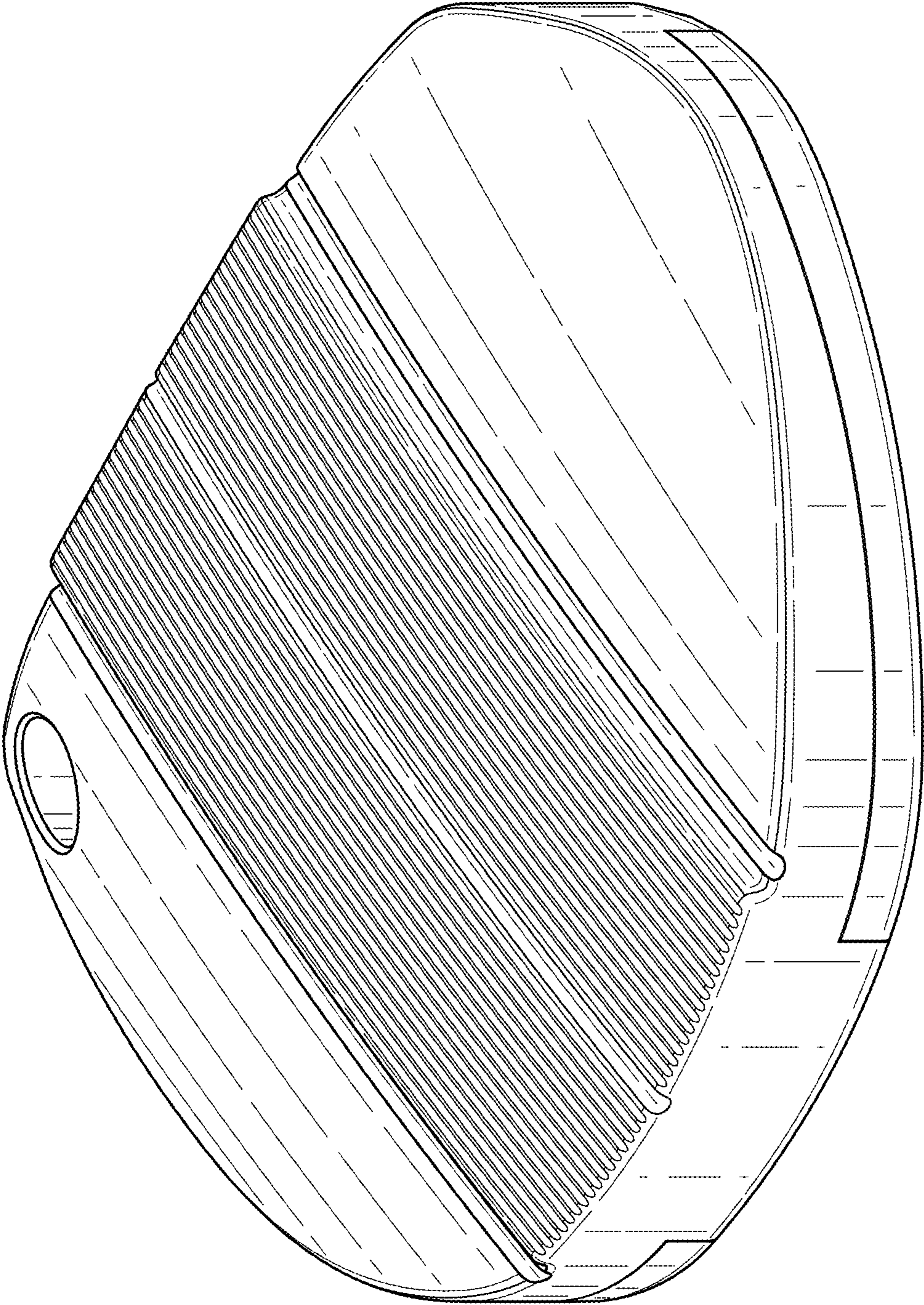


FIG. 1

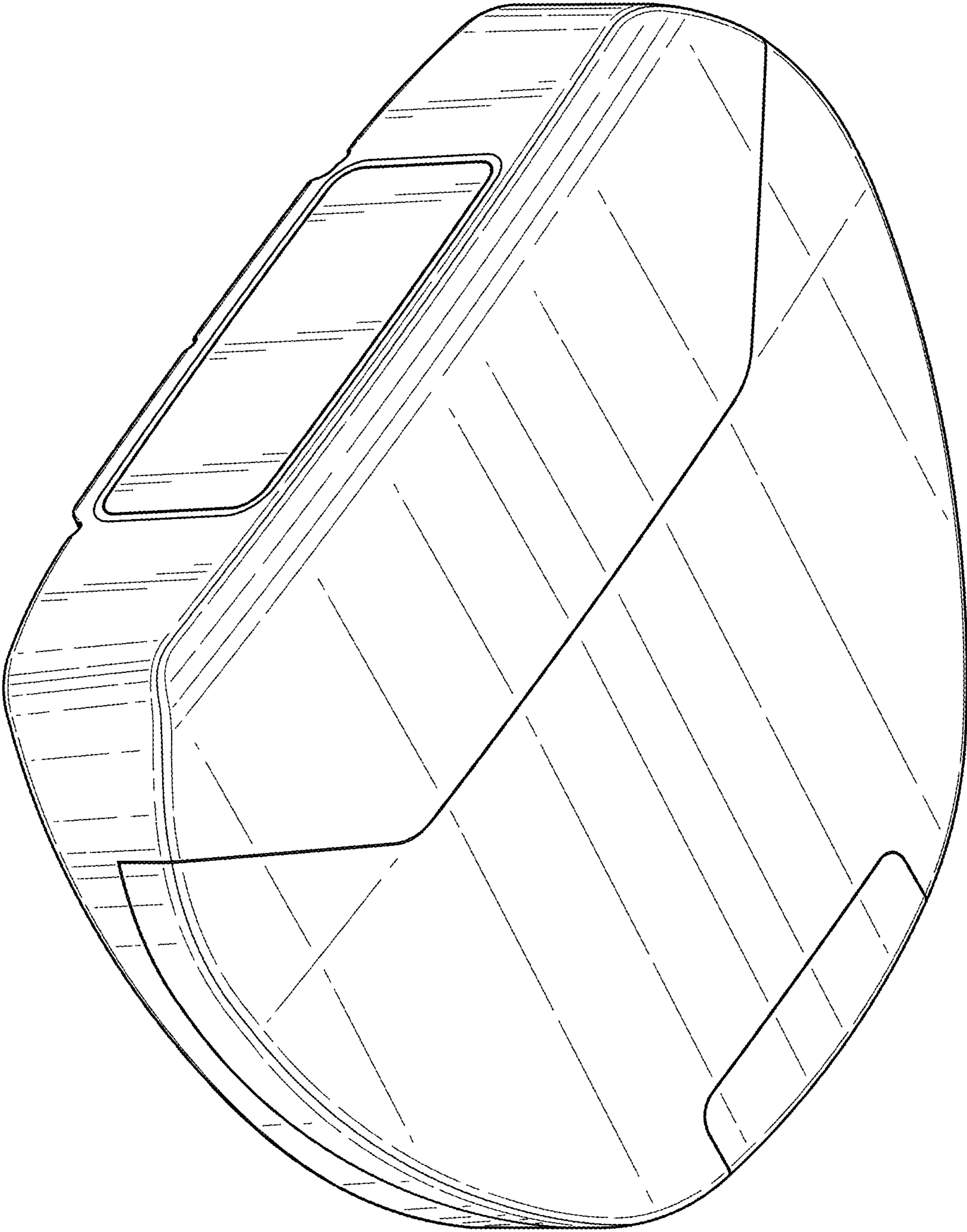


FIG. 2

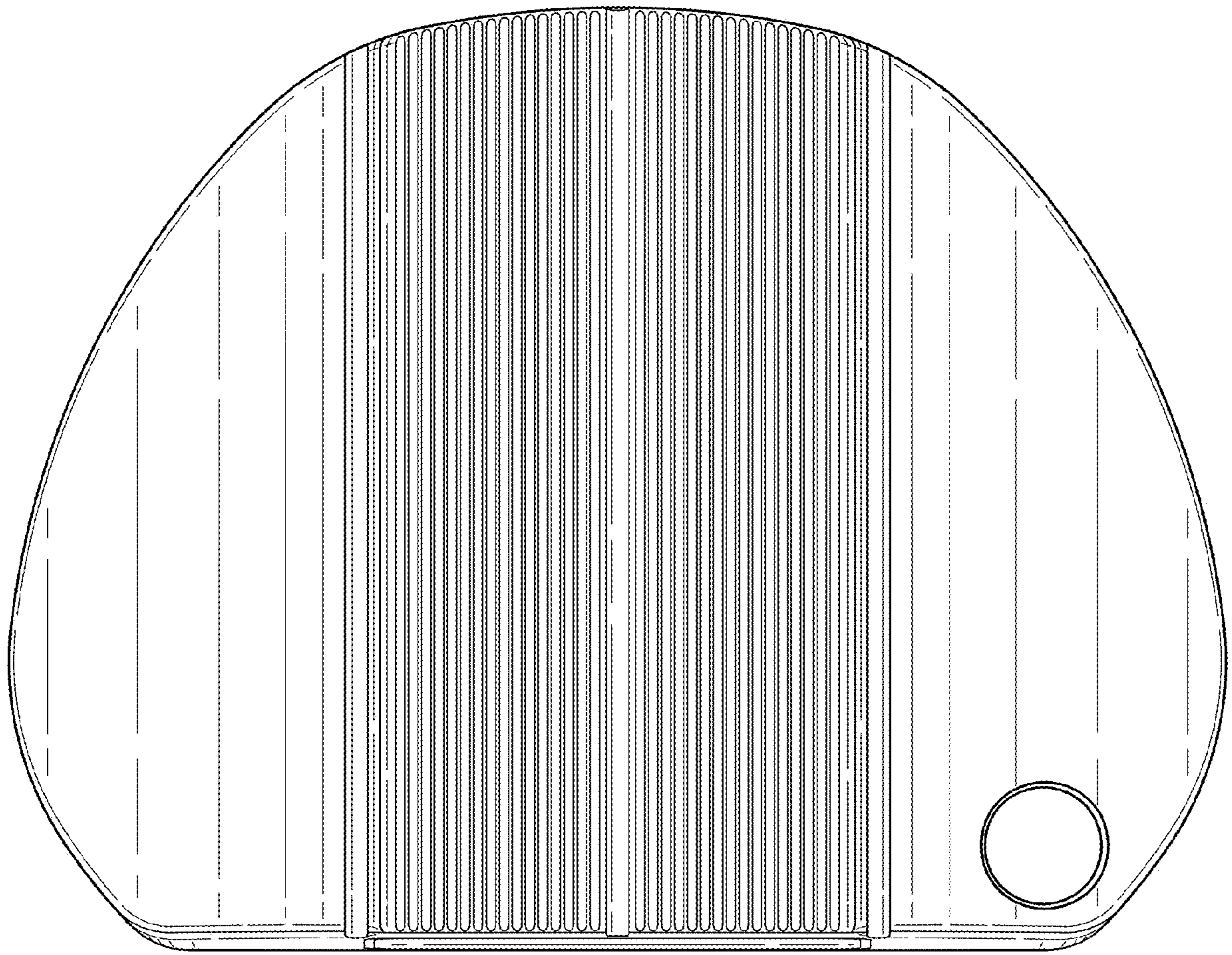


FIG. 3

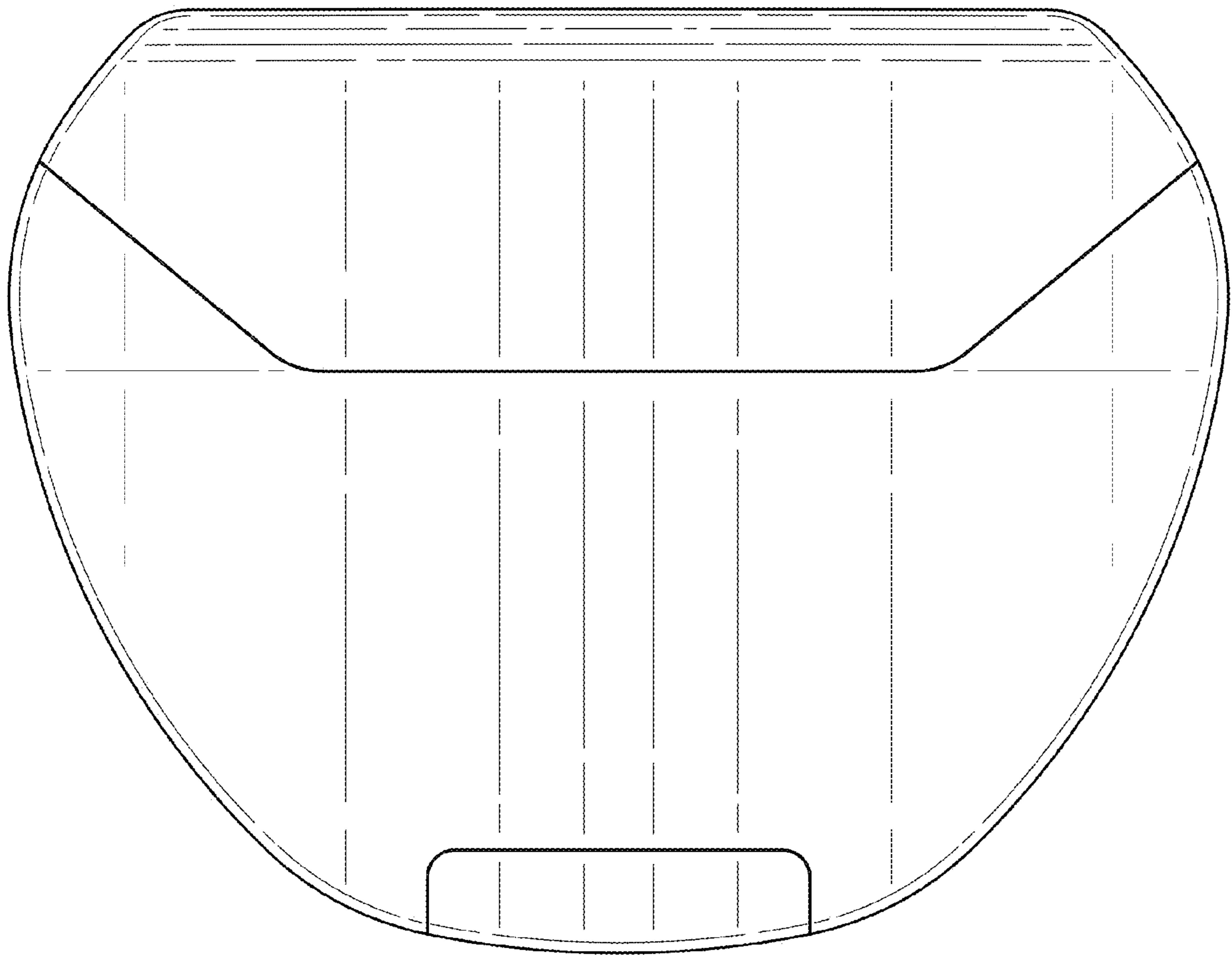


FIG. 4

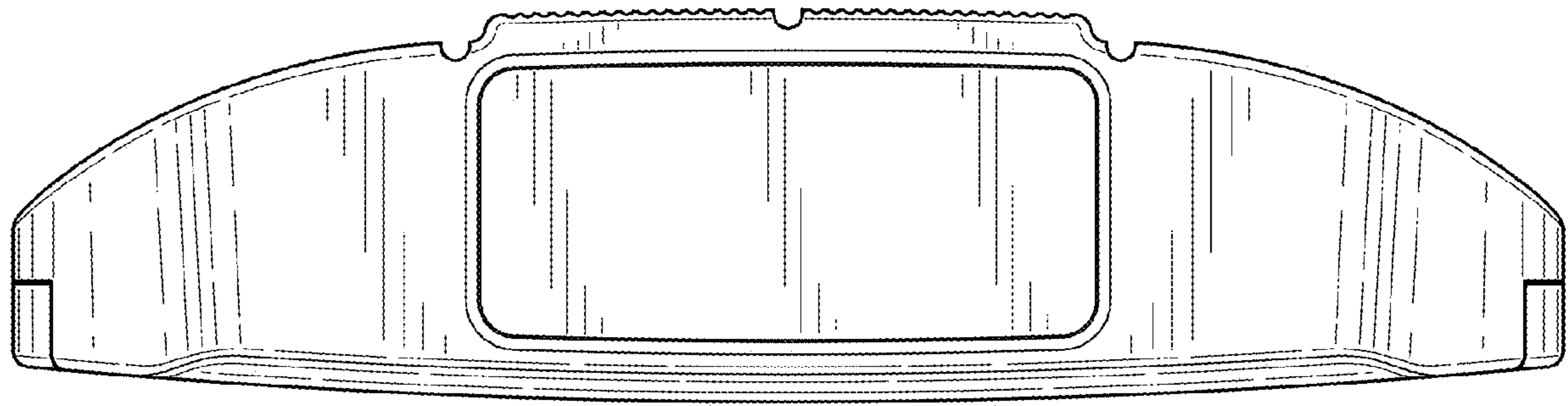


FIG. 5

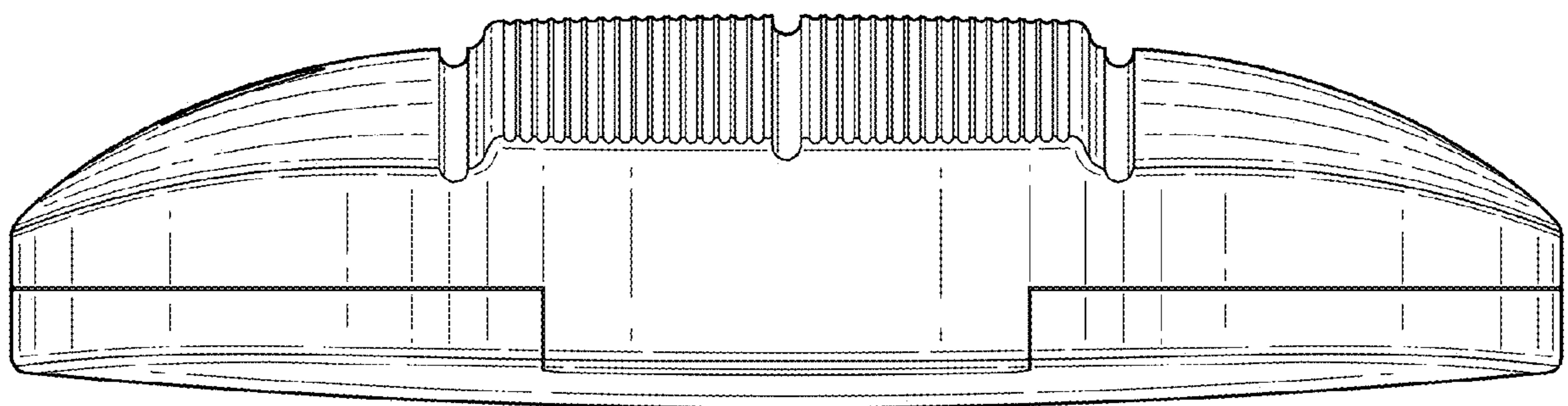
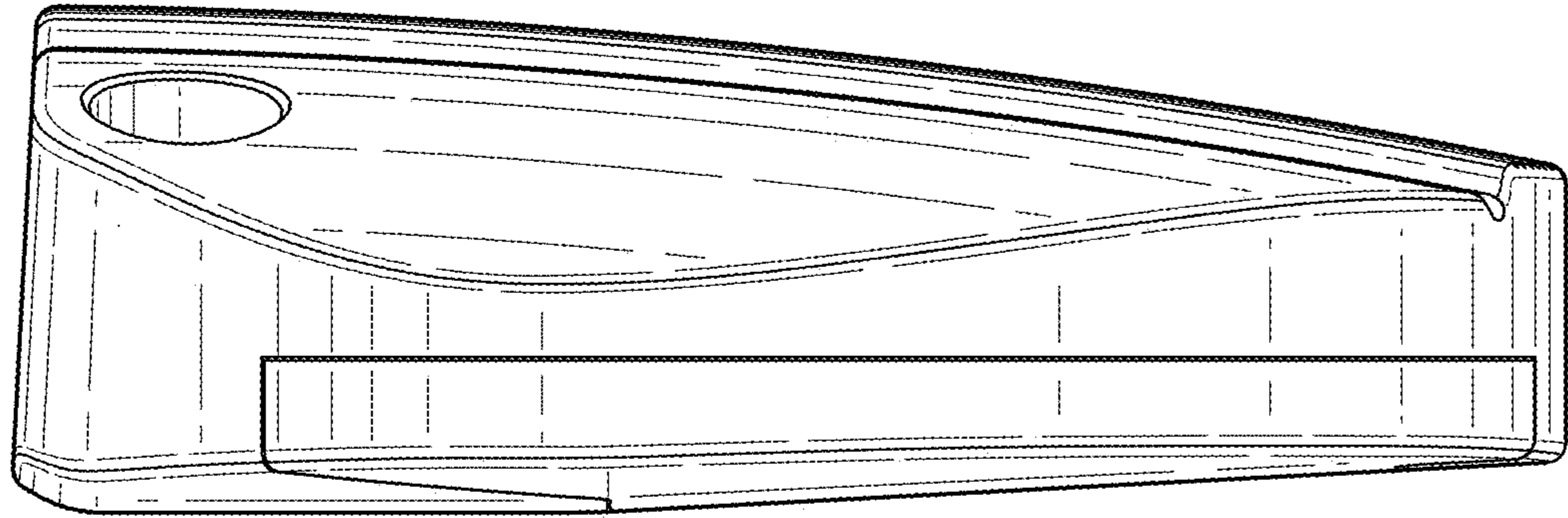
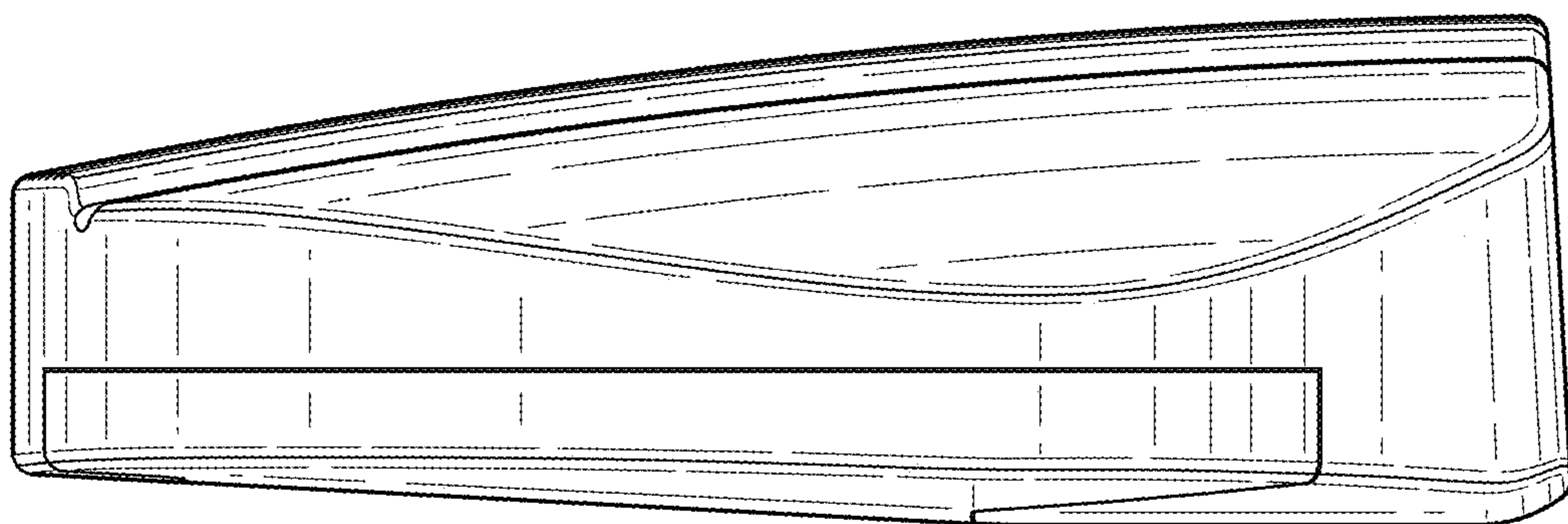


FIG. 6



**FIG. 7**



**FIG. 8**