



US00D973162S

(12) **United States Design Patent**  
**Wang et al.**

(10) **Patent No.:** **US D973,162 S**

(45) **Date of Patent:** **\*\* Dec. 20, 2022**

(54) **GOLF CLUB HEAD**

(71) Applicant: **KARSTEN MANUFACTURING CORPORATION**, Phoenix, AZ (US)

(72) Inventors: **Calvin S. Wang**, Chandler, AZ (US);  
**David A. Higdon**, Cave Creek, AZ (US); **Murphy R. Alexander**,  
Scottsdale, AZ (US)

(73) Assignee: **Karsten Manufacturing Corporation**,  
Phoenix, AZ (US)

(\*\*) Term: **15 Years**

(21) Appl. No.: **29/754,124**

(22) Filed: **Oct. 6, 2020**

(51) **LOC (13) Cl.** ..... **21-02**

(52) **U.S. Cl.**  
USPC ..... **D21/743**

(58) **Field of Classification Search**  
USPC ..... D21/736-746, 752  
CPC ..... A63B 53/00; A63B 53/04; A63B 53/007;  
A63B 53/065; A63B 53/0487; A63B  
60/00; A63B 60/46  
See application file for complete search history.

(56) **References Cited**

**U.S. PATENT DOCUMENTS**

D207,227 S	3/1967	Solheim	
D239,951 S	5/1976	Carrier	
D334,959 S	4/1993	Iinuma et al.	
D394,689 S *	5/1998	Sheets	D21/743
D402,721 S *	12/1998	Gurrola	D21/742
D483,823 S *	12/2003	Swist	D21/736
D485,320 S	1/2004	Breier et al.	
D498,276 S	11/2004	Schweigert et al.	
D524,887 S	7/2006	Jones et al.	
D525,328 S *	7/2006	Solheim	D21/736
D525,329 S	7/2006	Jones et al.	

D531,241 S *	10/2006	Hueber	D21/742
D535,712 S	1/2007	Torossian	
D548,294 S	8/2007	Nguyen et al.	
D565,678 S	4/2008	Cameron	
D574,906 S	8/2008	Jones et al.	
D574,909 S	8/2008	Jones et al.	
D574,911 S	8/2008	Jones et al.	
D583,887 S *	12/2008	Cameron	D21/743
D590,462 S	4/2009	Hettinger et al.	
D599,423 S	9/2009	Serrano et al.	
D638,892 S	5/2011	Hettinger et al.	
D650,456 S	12/2011	Tang et al.	
D688,339 S *	8/2013	Hilton	D21/736
D689,574 S	9/2013	Rollinson	
D702,782 S	4/2014	Wempe et al.	
9,033,812 B2	5/2015	Solheim et al.	
D784,468 S *	4/2017	Rollinson	D21/743

(Continued)

**FOREIGN PATENT DOCUMENTS**

JP 1685998 5/2021

*Primary Examiner* — Mitchell I. Siegel

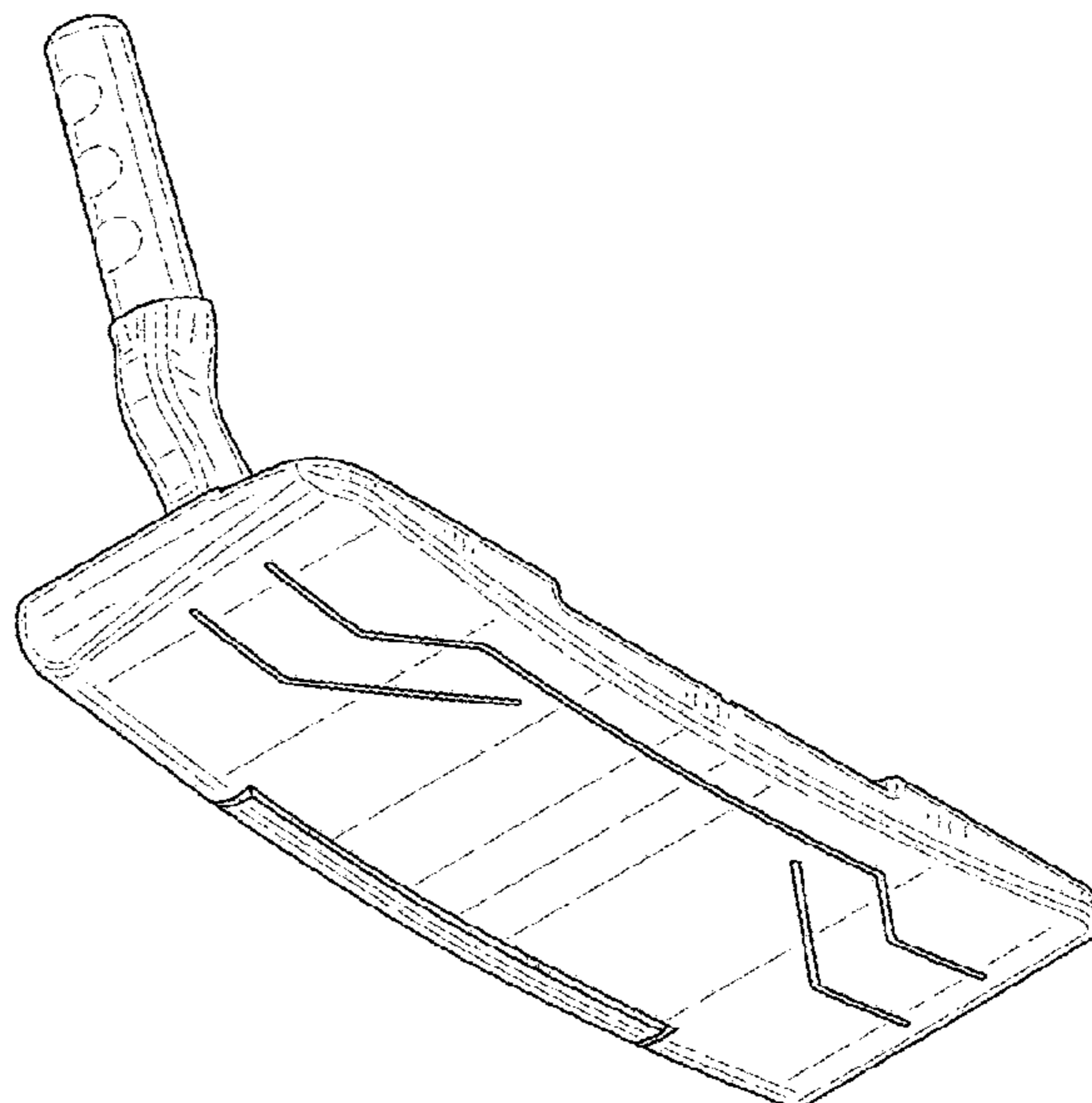
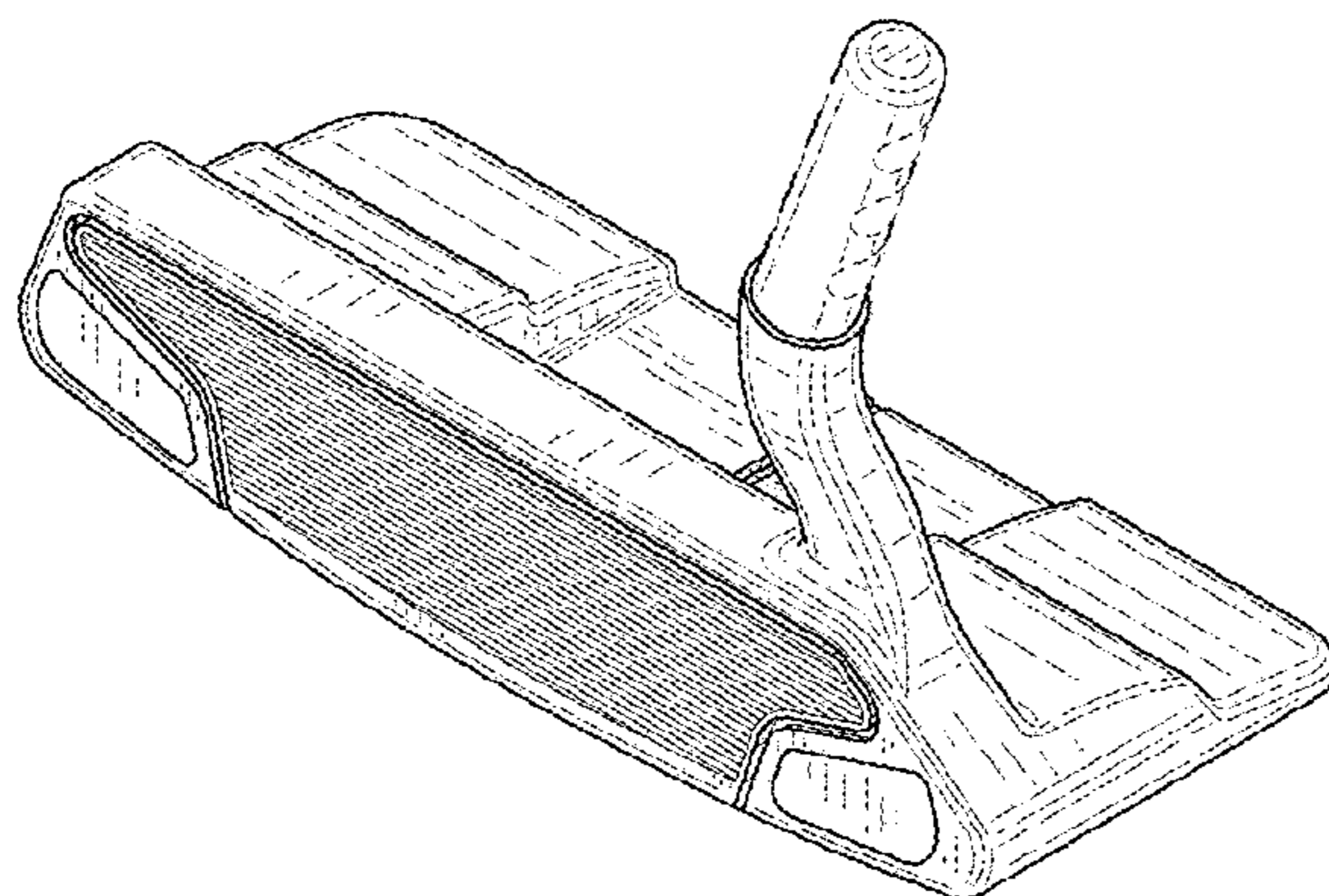
(57) **CLAIM**

The ornamental design for a golf club head, as shown and described.

**DESCRIPTION**

FIG. 1 is a top perspective view of a golf club head;  
FIG. 2 is a bottom perspective view of the golf club head of FIG. 1;  
FIG. 3 is a top view of the golf club head of FIG. 1;  
FIG. 4 is a bottom view of the golf club head of FIG. 1;  
FIG. 5 is a front view of the golf club head of FIG. 1;  
FIG. 6 is a rear view of the golf club head of FIG. 1;  
FIG. 7 is a heel side view of the golf club head of FIG. 1;  
and,  
FIG. 8 is a toe side view of the golf club head of FIG. 1.  
The broken lines shown on the drawings form no part of the claimed design.

**1 Claim, 5 Drawing Sheets**



(56)

**References Cited**

U.S. PATENT DOCUMENTS

D797,220	S	*	9/2017	Serrano	.....	D21/743
D837,315	S	*	1/2019	Rollinson	.....	D21/743
D852,301	S	*	6/2019	Serrano	.....	D21/743
D865,090	S	*	10/2019	Rollinson	.....	D21/743
D929,519	S	*	8/2021	Agrella	.....	D21/744

\* cited by examiner

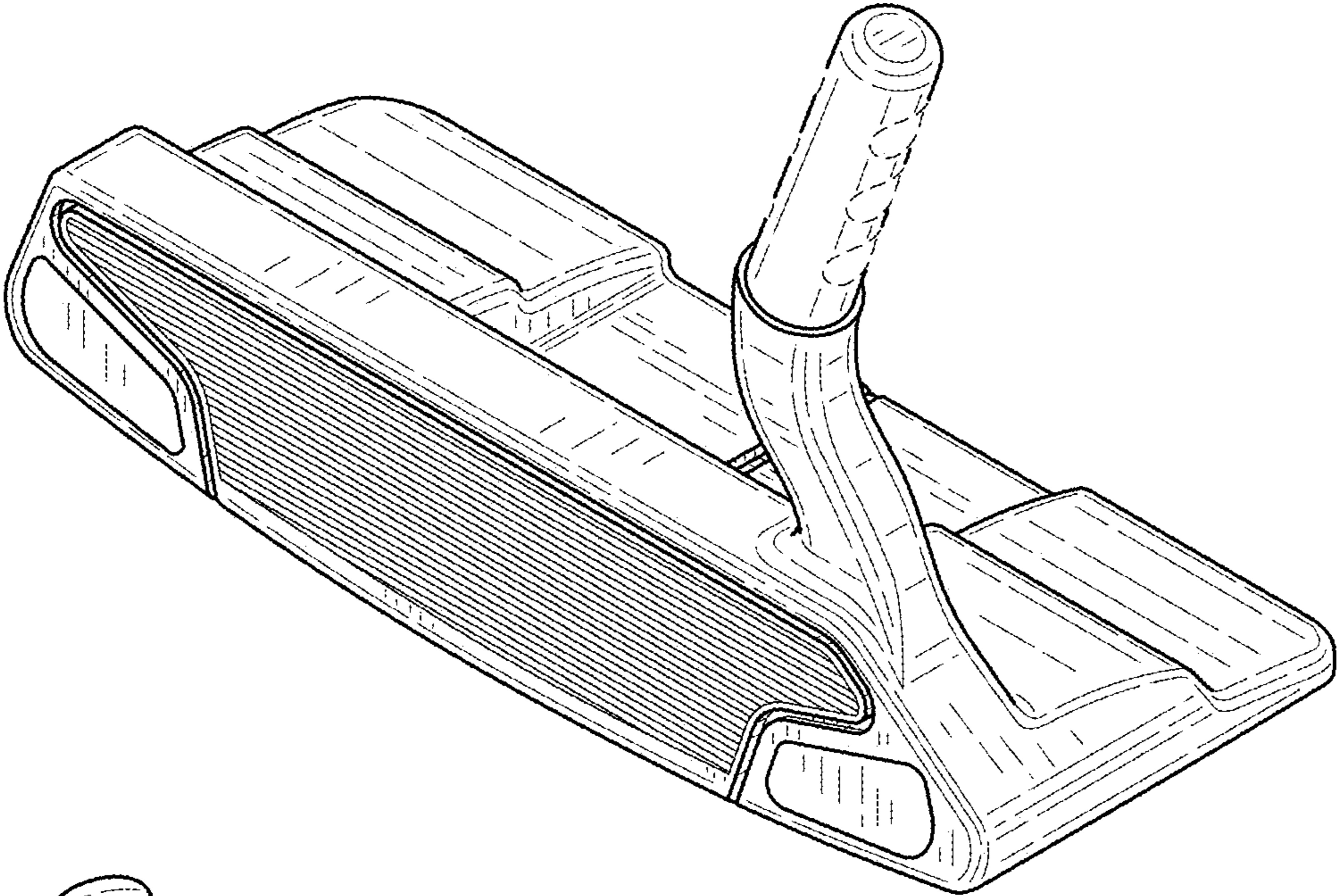


FIG.1

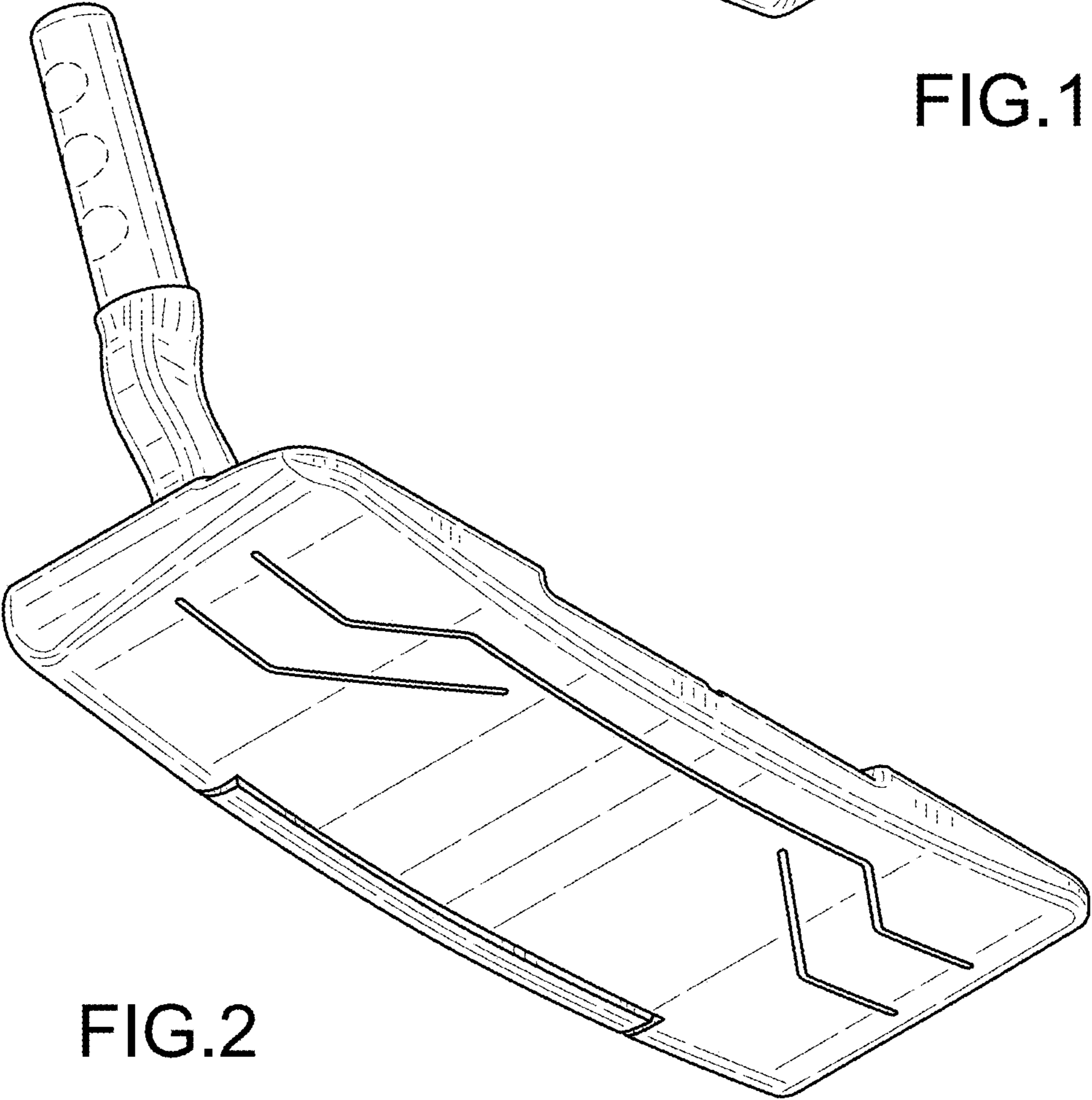


FIG.2

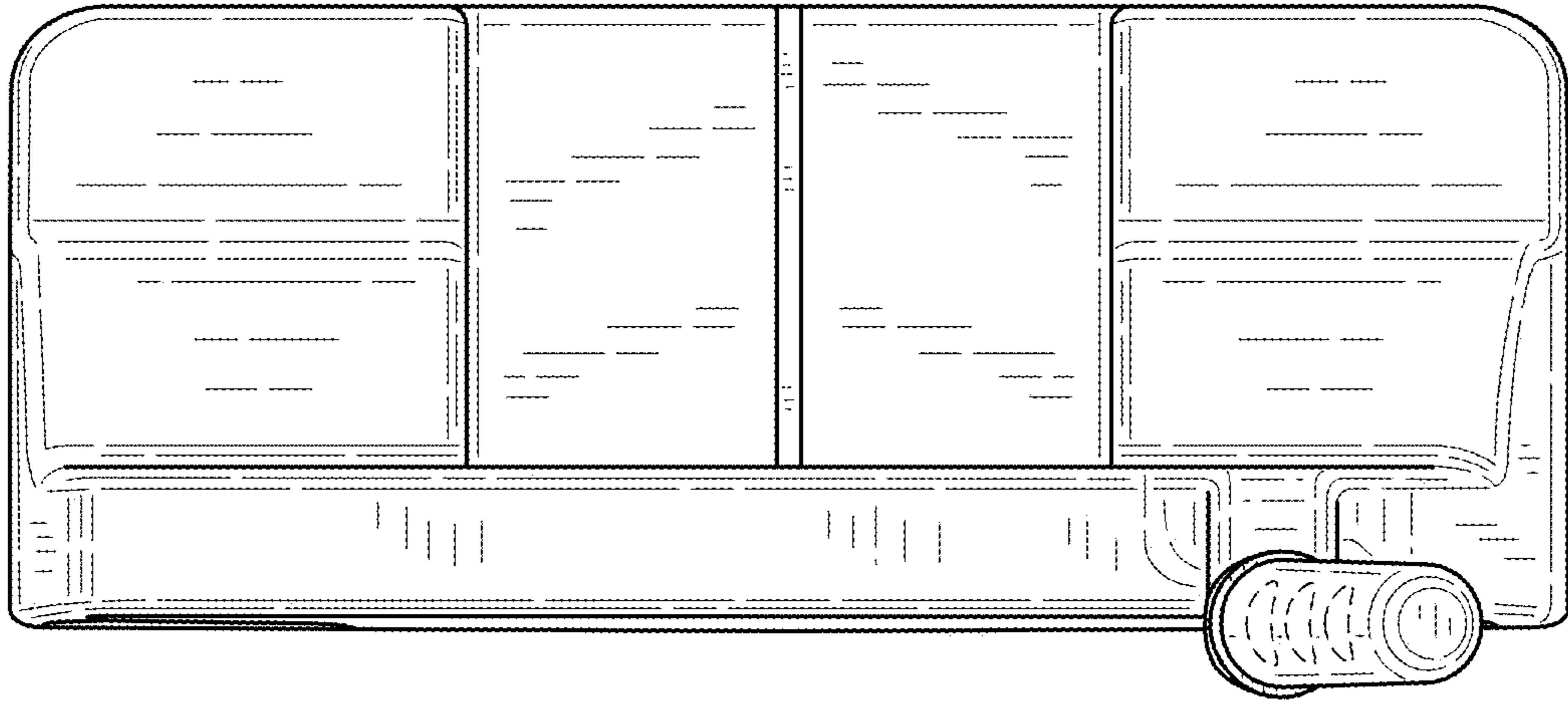


FIG.3

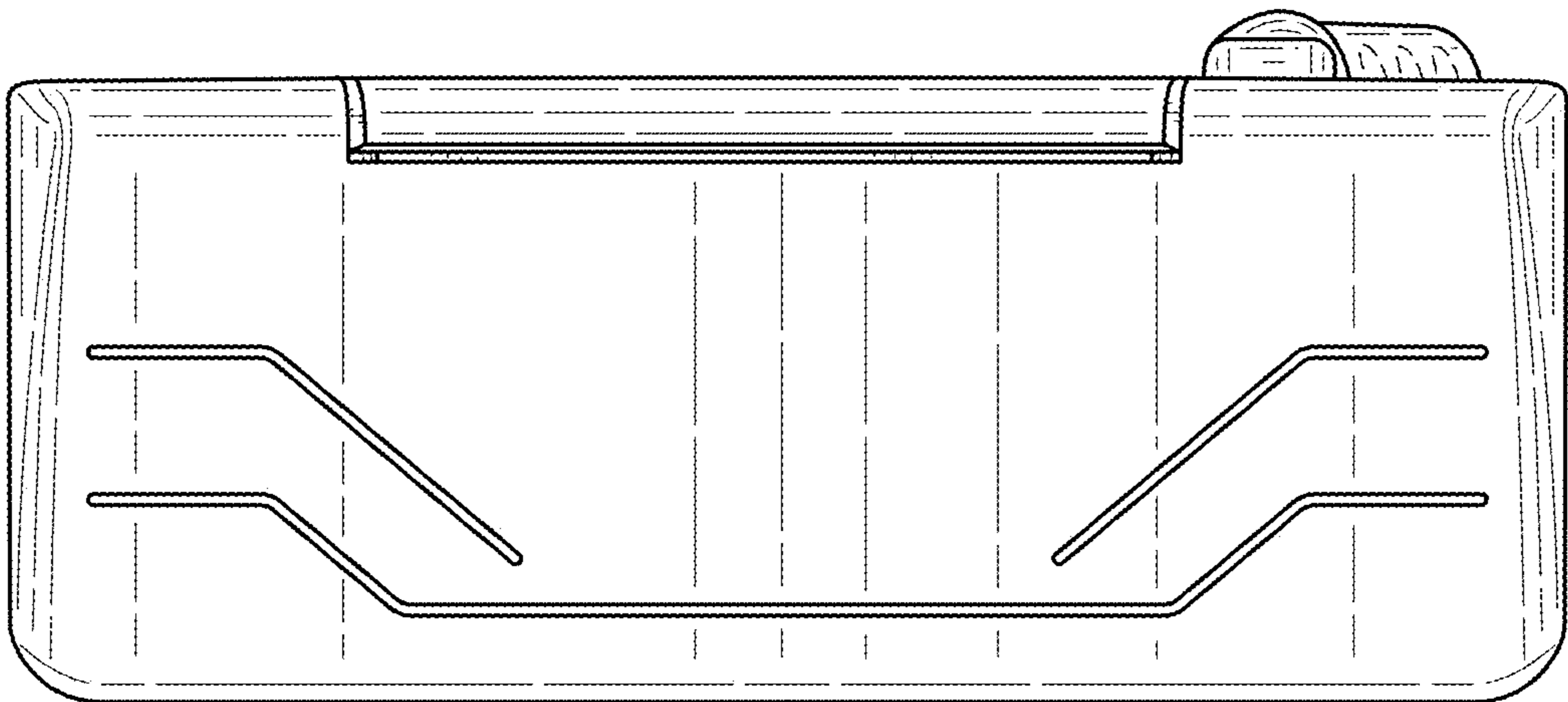


FIG.4

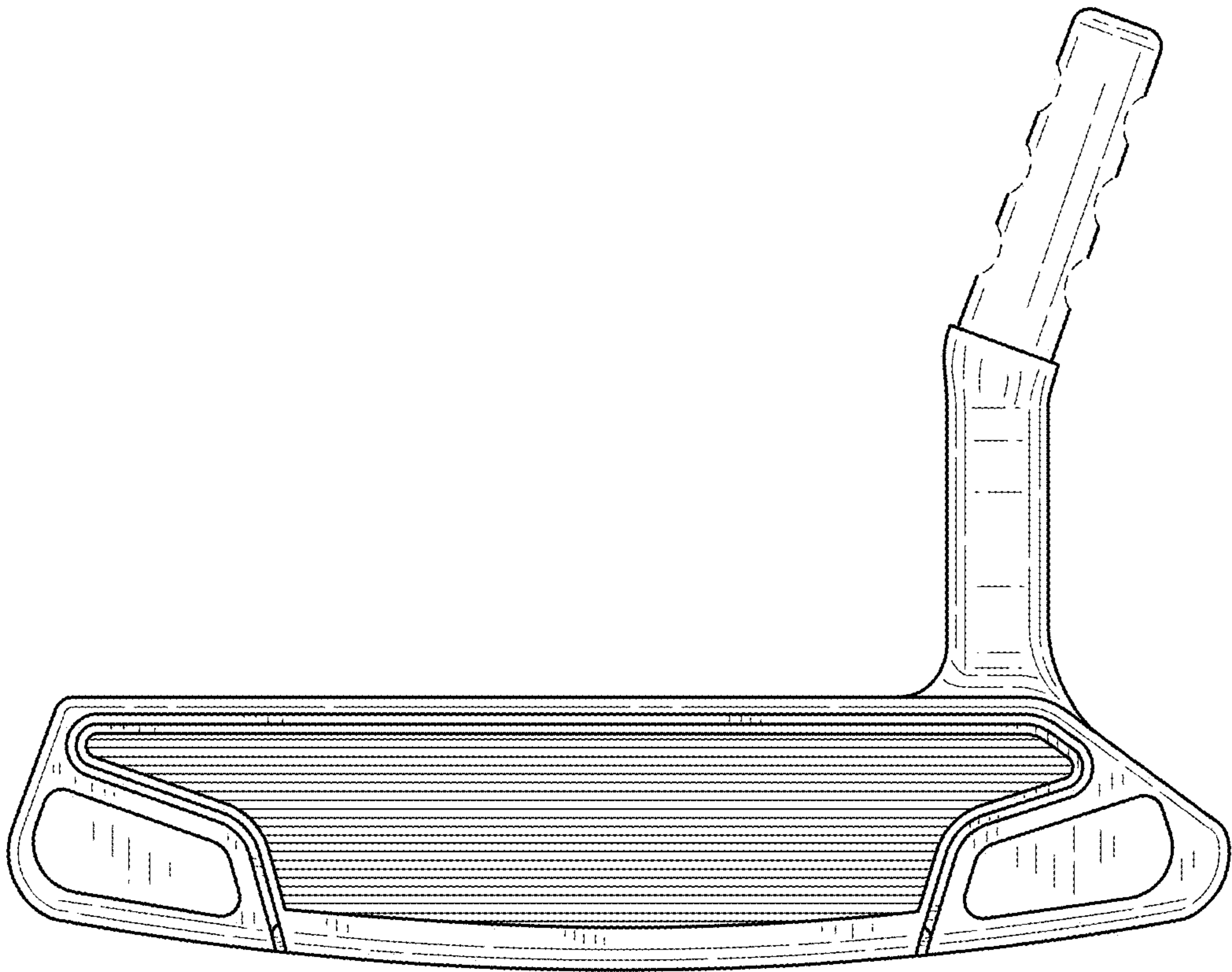


FIG. 5

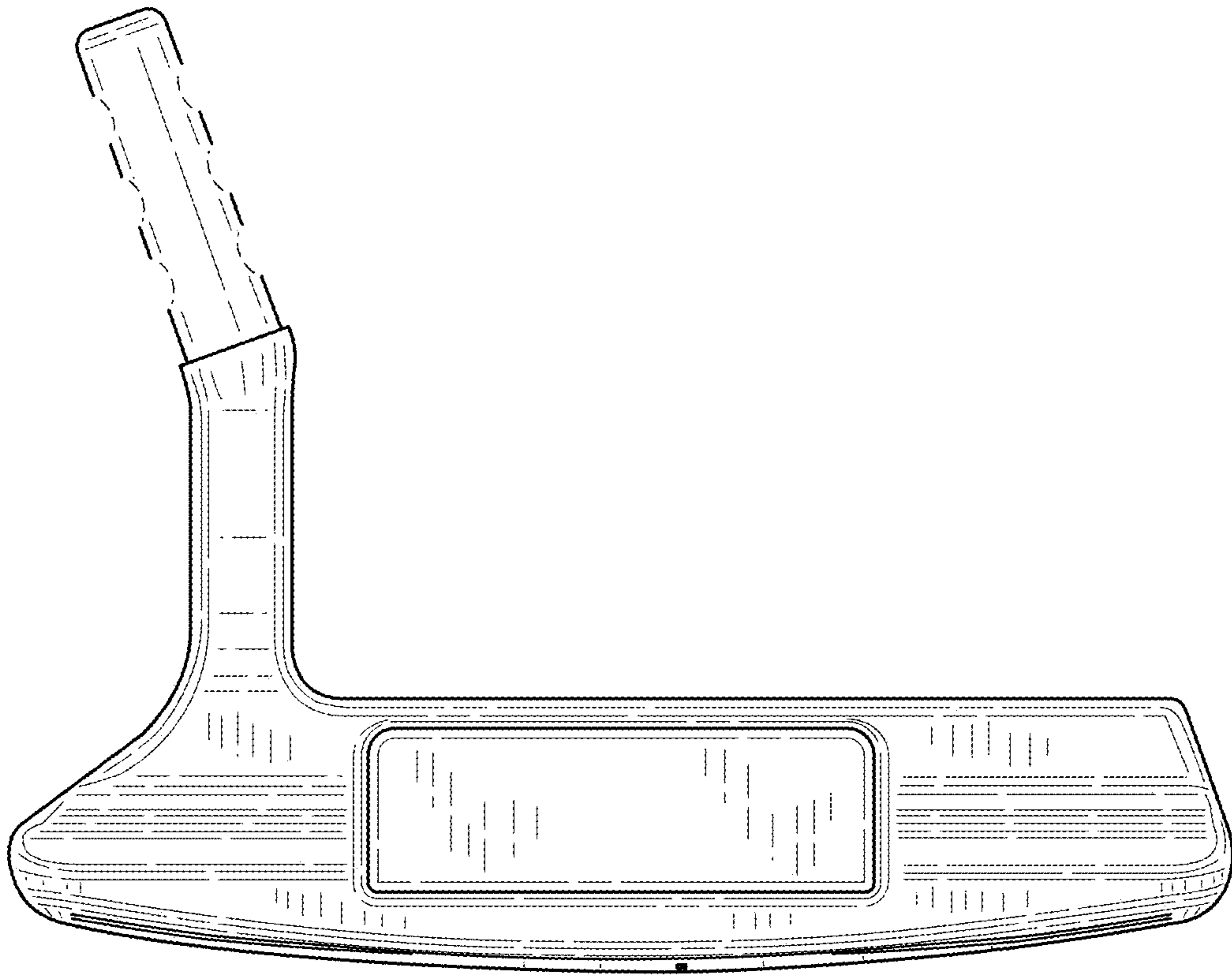


FIG.6

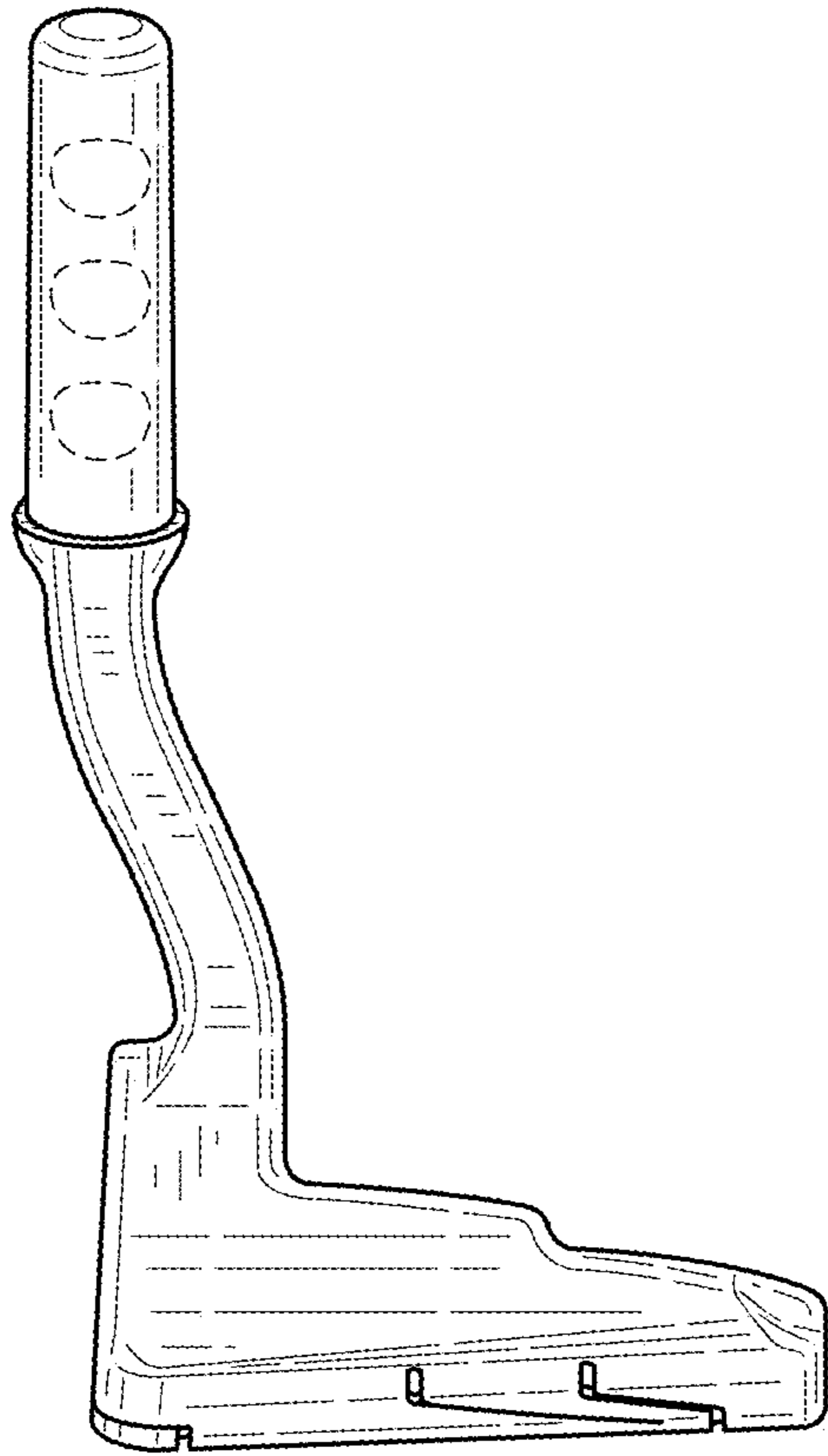


FIG.7

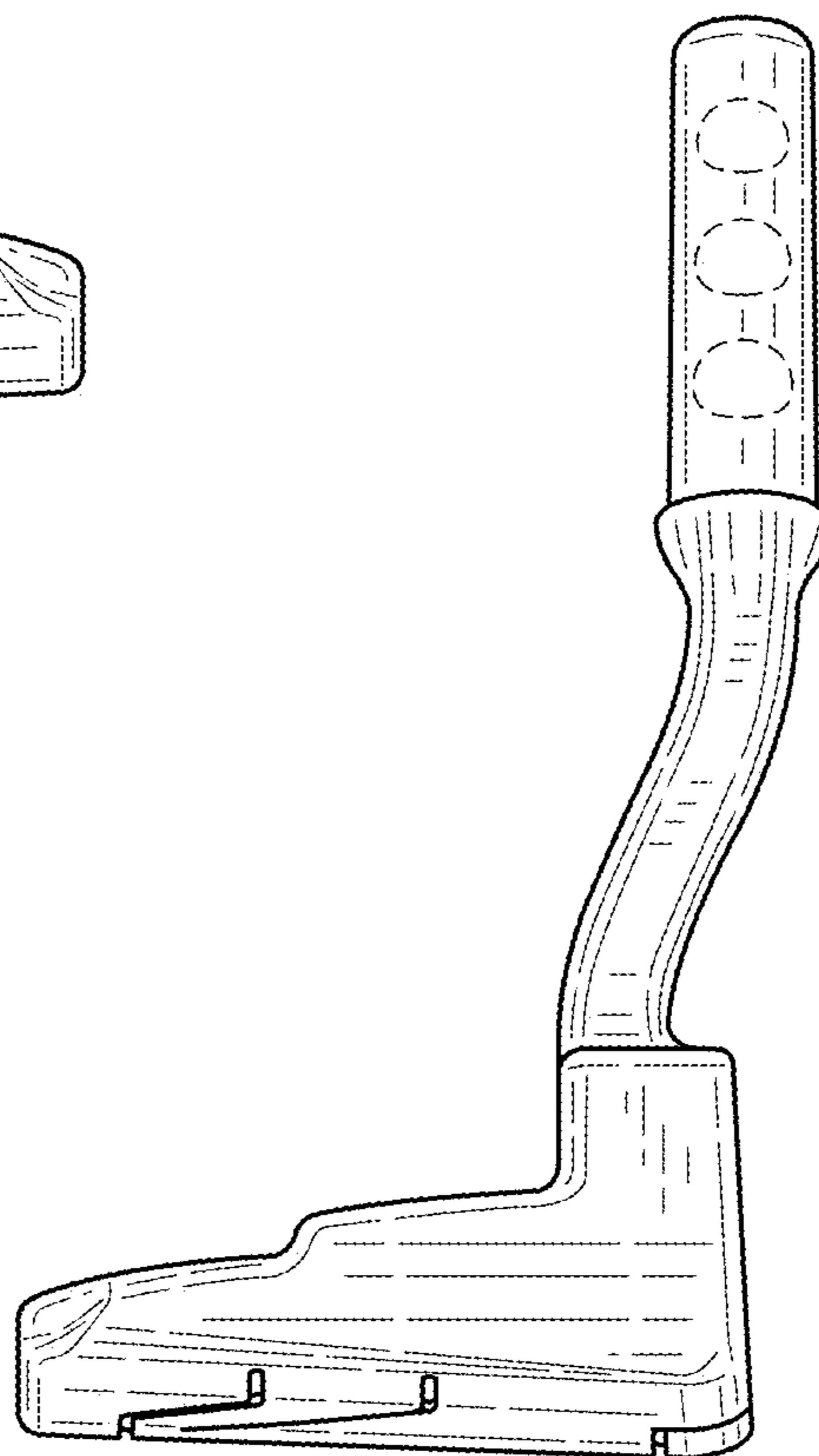


FIG.8