



US00D973160S

(12) **United States Design Patent** (10) **Patent No.:** **US D973,160 S**
Katz et al. (45) **Date of Patent:** **** Dec. 20, 2022**

(54) **END PLATES FOR VIBRATING FITNESS ROLLER**
(71) Applicant: **Hyper Ice, Inc.**, Irvine, CA (US)
(72) Inventors: **Anthony Katz**, Laguna Niguel, CA (US); **Bostjan Buc**, Mislinja (SI); **Jure Miklavc**, Skofja Loka (SI); **Andrej Senk**, Preddvor (SI)
(73) Assignee: **Hyper Ice, Inc.**, Irvine, CA (US)
(**) Term: **15 Years**
(21) Appl. No.: **29/771,690**
(22) Filed: **Feb. 24, 2021**
(51) **LOC (13) Cl.** **21-02**
(52) **U.S. Cl.**
USPC **D21/694**
(58) **Field of Classification Search**
USPC D24/200, 211, 212, 213, 214, 215;
D30/160; D1/125–127; D21/680, 798,
(Continued)

(56) **References Cited**
U.S. PATENT DOCUMENTS
2,428,953 A 10/1947 Adams
D166,659 S 5/1952 Colotti
(Continued)

FOREIGN PATENT DOCUMENTS
DE 9200901 U1 7/1992
DE 102006058876 A1 10/2007
(Continued)

OTHER PUBLICATIONS
“321 Strong 5 in 1 Foam Roller Set” Mar. 8, 2019, Amazon, site visited Jun. 6, 2022:https://amzn.to/3xnj5mJ (Year: 2019).*
(Continued)

Primary Examiner — Jack Reickel
Assistant Examiner — Salamah Jordan
(74) *Attorney, Agent, or Firm* — Patterson Intellectual Property Law, P.C.; Jerry Turner Sewell

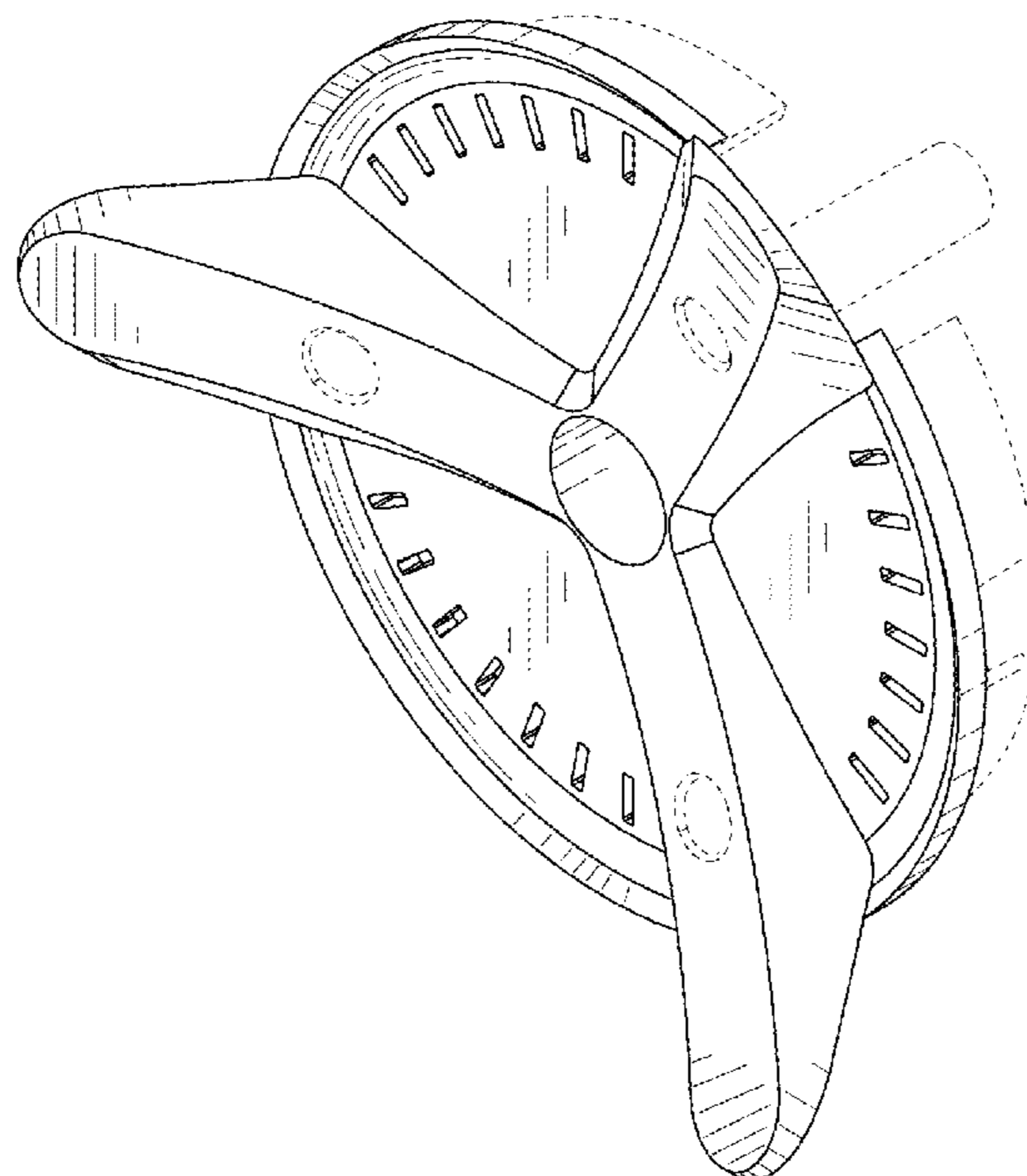
(57) **CLAIM**

The ornamental design for end plates for a vibrating fitness roller, as shown and described.

DESCRIPTION

FIG. 1 is a front perspective view of a first embodiment of the end plates for vibrating fitness roller, showing our new design;
FIG. 2 is a rear perspective view of the embodiment of FIG. 1;
FIG. 3 is a top view of the embodiment of FIG. 1;
FIG. 4 is a front view of the embodiment of FIG. 1;
FIG. 5 is a bottom view of the embodiment of FIG. 1;
FIG. 6 is a right side view of the embodiment of FIG. 1;
FIG. 7 is a left side view of the embodiment of FIG. 1;
FIG. 8 is a rear view of the embodiment of FIG. 1;
FIG. 9 is a front perspective view of a second embodiment of the end plates for vibrating fitness roller, showing our new design;
FIG. 10 is a rear perspective view of the embodiment of FIG. 9;
FIG. 11 is a top view of the embodiment of FIG. 9;
FIG. 12 is a front view of the embodiment of FIG. 9;
FIG. 13 is a bottom view of the embodiment of FIG. 9;
FIG. 14 is a right side view of the embodiment of FIG. 9;
FIG. 15 is a left side view of the embodiment of FIG. 9; and,
FIG. 16 is a rear view of the embodiment of FIG. 9.
The broken lines in the drawings are for the purposes of illustrating portions of the end plates for vibrating fitness roller, which form no part of the claimed design.

1 Claim, 6 Drawing Sheets



(58) **Field of Classification Search**
 USPC D21/792, 662, 804, 686, 671, 691, 682,
 D21/694, 687, 654, 487, 679, 684, 688,
 D21/412, 685, 400, 791, 725, 386;
 D7/624.2; D8/303
 CPC A61H 7/001; A61H 7/007; A61H 7/00;
 A61H 15/0092; A61H 2015/0014; A61H
 2201/0207; A61H 15/00; A61H 2205/081;
 A61H 23/0263; A61H 2201/1284
 See application file for complete search history.

11,013,658 B1 * 5/2021 Brawley A61H 15/0092
 D923,355 S * 6/2021 Turner D6/542
 11,097,147 B2 * 8/2021 Jones A63B 21/0607
 D930,922 S 9/2021 Ruan
 D937,942 S * 12/2021 Rothschild A63B 71/0054
 D21/680
 D941,719 S * 1/2022 Patterson D12/180
 D943,475 S * 2/2022 Patterson D12/180
 D944,341 S * 2/2022 Henniger D21/680
 D947,297 S * 3/2022 Flick D21/667
 D948,156 S * 4/2022 Furuuchi D34/29
 D951,064 S * 5/2022 Frelich D8/354
 D952,070 S * 5/2022 Gridley F24F 11/89
 D21/686

(56) **References Cited**

U.S. PATENT DOCUMENTS

2,675,800 A 4/1954 Voorhees et al.
 D299,974 S 2/1989 Schmitt
 4,954,939 A 9/1990 Hutchins
 D324,634 S 3/1992 Chen
 5,123,406 A 6/1992 Masuda
 D369,361 S 4/1996 Satake
 5,554,102 A 9/1996 Chiou
 5,736,089 A * 4/1998 Stefani B29D 99/0035
 6,694,550 B2 2/2004 Lee
 D546,402 S 7/2007 Sonnier
 D555,742 S * 11/2007 Lai D21/694
 D616,950 S 6/2010 Hersee et al.
 D637,244 S 5/2011 Davis et al.
 8,002,682 B2 8/2011 Dye
 D647,980 S 11/2011 Davis et al.
 D713,050 S 9/2014 Kao
 9,132,055 B1 9/2015 Wallace
 D740,337 S * 10/2015 McCoy D15/138
 D755,304 S 5/2016 Ackerman
 9,422,718 B2 8/2016 Ejsani
 D786,652 S * 5/2017 Lira-Nunez D8/352
 9,668,933 B1 6/2017 Johnson
 D797,951 S 9/2017 Miklavc
 9,763,850 B2 9/2017 Cheng
 D805,649 S 12/2017 Mizelle et al.
 D809,612 S 2/2018 Ganea
 D810,955 S 2/2018 Miklavc
 9,901,771 B1 2/2018 Silver
 D812,700 S 3/2018 Silver
 D813,323 S 3/2018 Silver
 9,968,513 B1 5/2018 Marton et al.
 D822,772 S 7/2018 Jorgenson et al.
 D825,695 S 8/2018 Kim
 10,071,014 B2 9/2018 Yeh
 D837,015 S * 1/2019 Tchakarov D8/70
 D837,615 S 1/2019 Winter et al.
 D843,522 S 3/2019 Miklavc et al.
 10,244,914 B2 * 4/2019 Tchakarov B24D 7/066
 D852,025 S * 6/2019 Fechner D8/352
 D857,131 S * 8/2019 Marton D21/694
 D858,779 S 9/2019 Durfee
 D859,668 S 9/2019 Durfee
 D866,294 S * 11/2019 Fechner D8/352
 D870,782 S * 12/2019 Hanschen D15/126
 D871,609 S * 12/2019 Isozaki D24/224
 D872,198 S 1/2020 Kim
 D873,739 S * 1/2020 Betto D12/180
 D878,538 S * 3/2020 Mecker D9/434
 D878,803 S * 3/2020 Turner D6/542
 D884,804 S 5/2020 Ross
 D886,923 S * 6/2020 Hsiung D21/697
 D889,335 S * 7/2020 Bowman D12/180
 D890,598 S * 7/2020 Chase D8/374
 10,729,614 B2 8/2020 Marton et al.
 D913,095 S * 3/2021 Kobayashi D9/455
 D917,356 S * 4/2021 Kittrell, Jr. D12/180

D955,858 S * 6/2022 Watson D8/352
 2002/0170728 A1 11/2002 Holland et al.
 2005/0070827 A1 3/2005 Lee
 2009/0088307 A1 4/2009 Jelinek et al.
 2009/0176635 A1 7/2009 Brinson
 2009/0183817 A1 7/2009 Sinykin
 2013/0090220 A1 4/2013 Bertram et al.
 2013/0267396 A1 10/2013 Dye
 2015/0045707 A1 2/2015 Selvaggio
 2016/0074274 A1 3/2016 Mallory
 2016/0195163 A1 * 7/2016 Cavanaugh F02F 7/0043
 2016/0279009 A1 9/2016 Somjee
 2017/0042756 A1 2/2017 Nelson
 2017/0065482 A1 3/2017 Downare
 2018/0021211 A1 * 1/2018 Suokas A61H 15/00
 2018/0028388 A1 2/2018 Leier et al.
 2018/0071166 A1 3/2018 Lawrie
 2018/0207055 A1 7/2018 Davis et al.
 2018/0339216 A1 11/2018 Gencarelli
 2019/0312482 A1 * 10/2019 Costantino H02K 7/09
 2021/0197011 A1 7/2021 Hadley et al.
 2022/0104995 A1 * 4/2022 Solana A61H 1/00

FOREIGN PATENT DOCUMENTS

DE 202014004900 U1 10/2014
 DE 202014004901 U1 10/2014
 DE 102014211779 A1 12/2015
 DE 102014211780 A1 12/2015
 DE 102015002235 A1 12/2015

OTHER PUBLICATIONS

“TriggerPoint GRID Caps”, Aug. 14, 2018, Amazon, site visited Jun. 6, 2022: <https://amzn.to/3tetEG3> (Year: 2018).
 “321 Strong Solid Core Massage Roller” May 19, 2018, Youtube, site visited Jul. 18, 2022: <https://www.youtube.com/watch?v=Sh3HQIqKhKc> (Year: 2018).
 “Pro Tip | Foam Roller Storage Caps”, Mar. 17, 2017, Youtube, site visited Jul. 18, 2022: <https://www.youtube.com/watch?v=uL-DPX4aQ2c> (Year: 2017).
 “Hyperice | Vyper Vibrating Foam Roller,” www.hyperice.com/vyper, accessed on Sep. 7, 2017, 10 pages.
 “Foam Roller Wrap,” Jun. 3, 2011, Amazon, site visited Jun. 3, 2022: <https://amzn.to/3wZfB8A> (Year: 2011).
 “Theraband Foam Rollers and Wrap,” Sep. 12, 2013, YouTube, site visited Jun. 3, 2022: <https://youtube.com/watch?v=rQ0PQWxPV0> (Year: 2013).
 “Peace of Muscle Foam Roller Review,” Nov. 2, 2016, YouTube, site visited Jun. 4, 2022: <https://www.youtube.com/watch?v=0P48FkFkiI0> (Year: 2016).
 “Zyllion Rechargeable Vibrating Foam Roller,” Oct. 13, 2017, Amazon, site visited Jun. 1, 2022: <https://amzn.to/38Uw3z6> (Year: 2017).

* cited by examiner

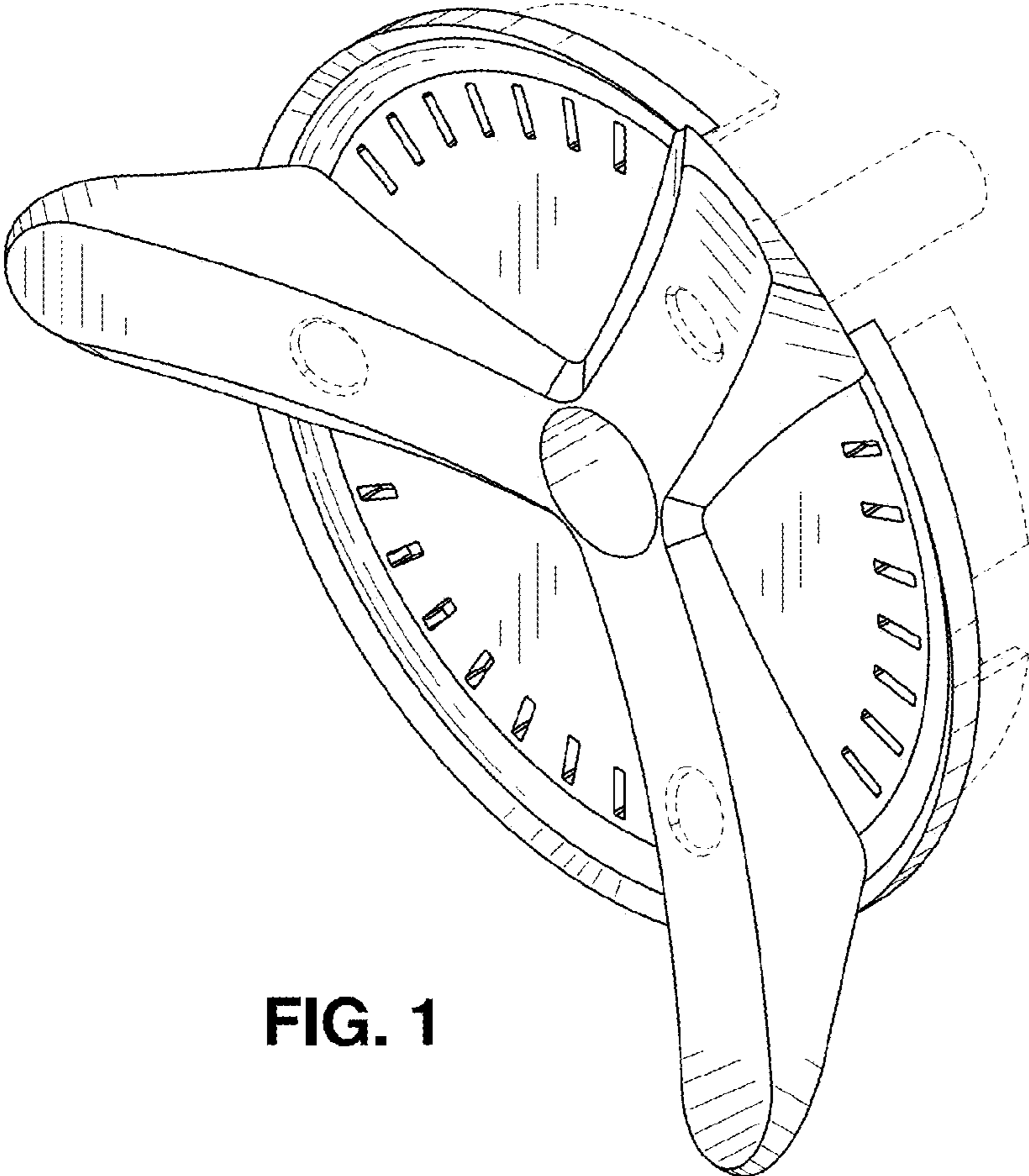


FIG. 1

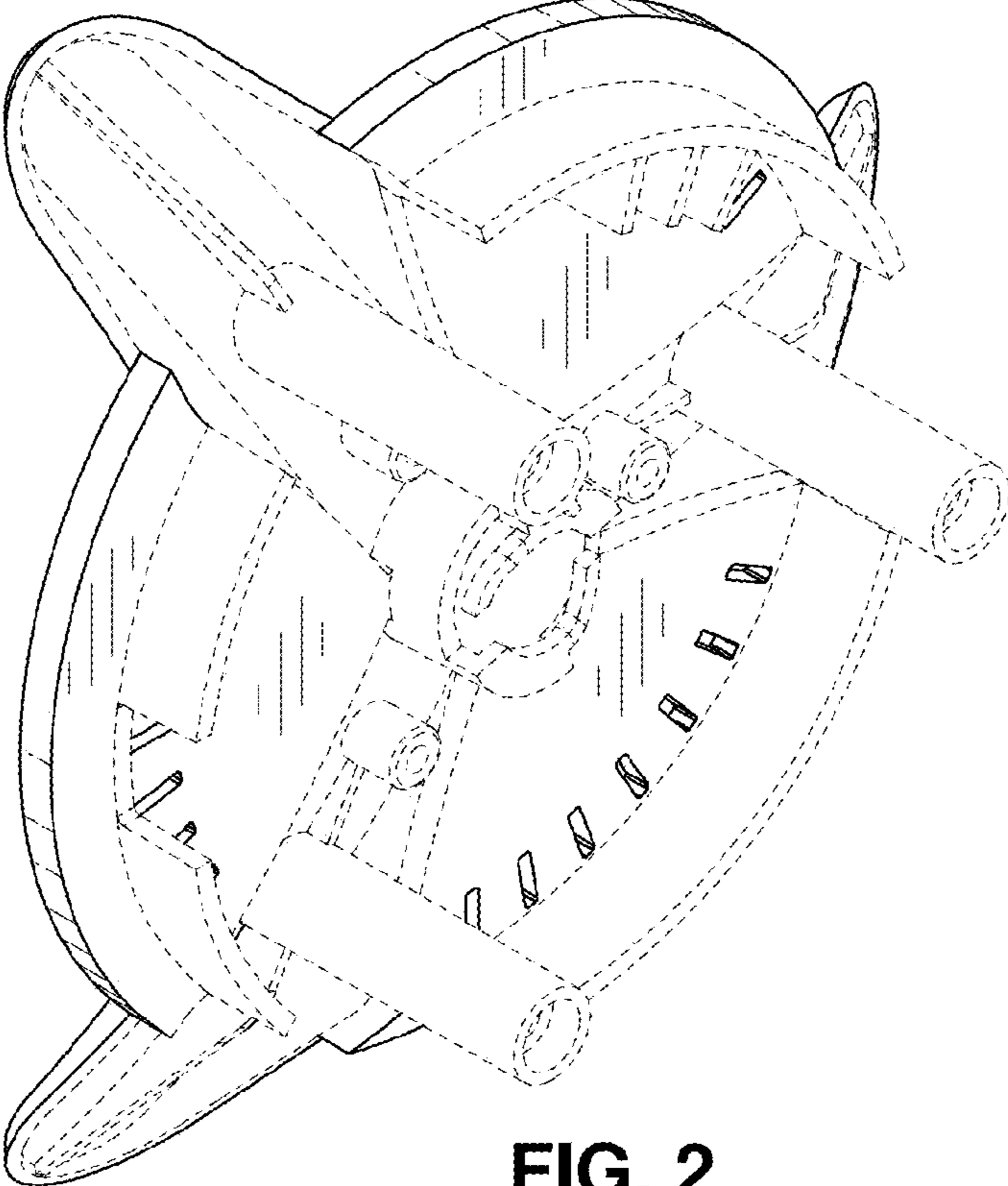


FIG. 2

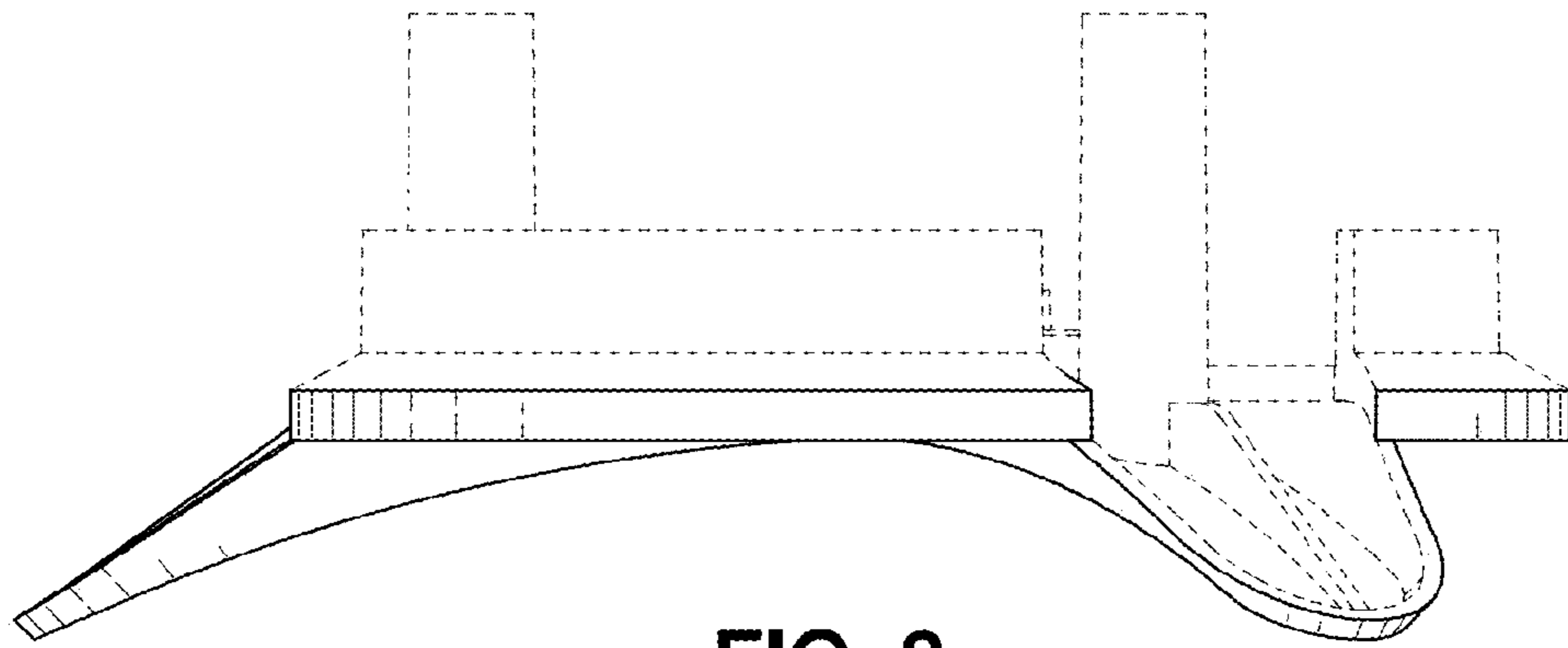


FIG. 3

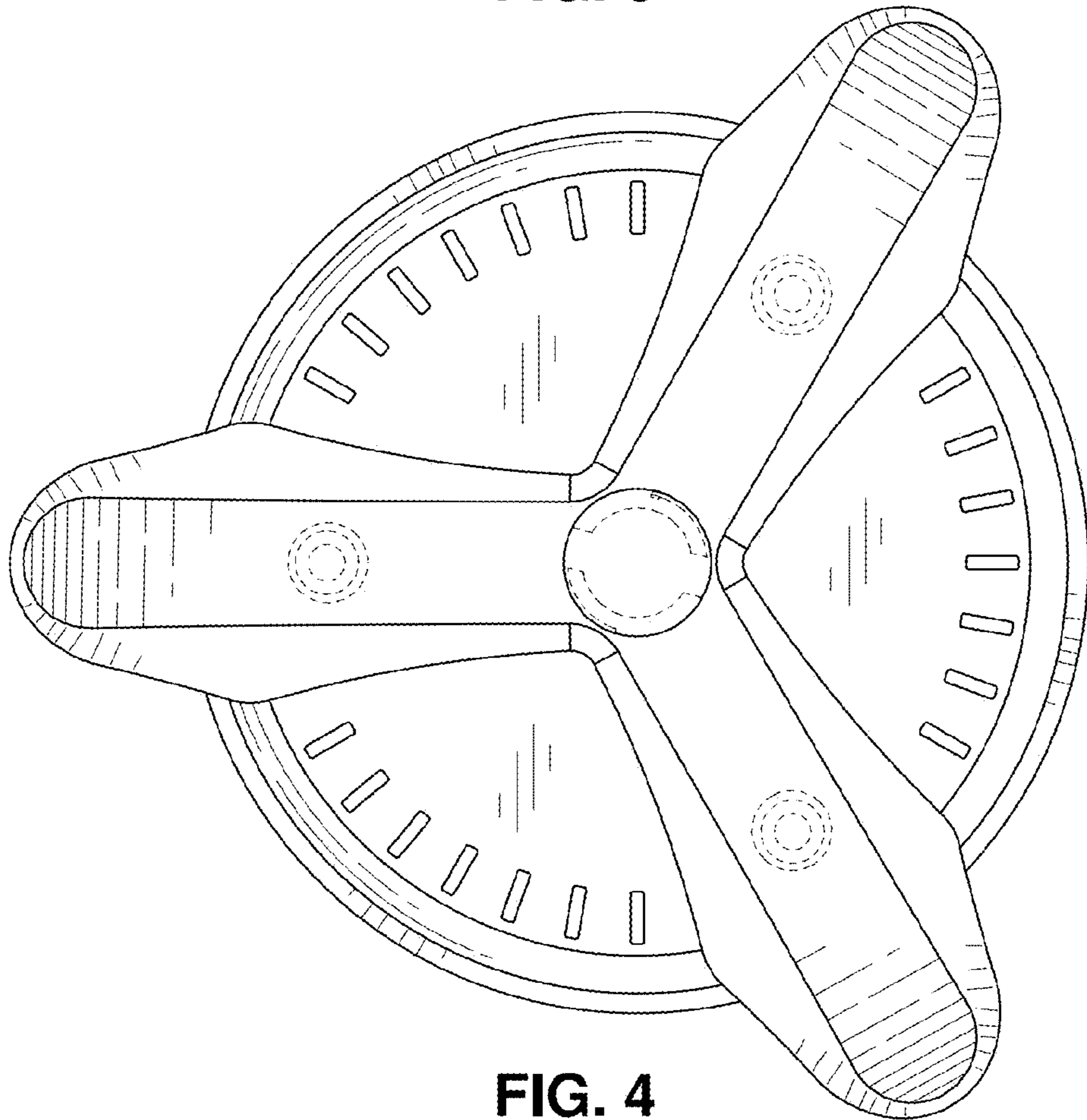


FIG. 4

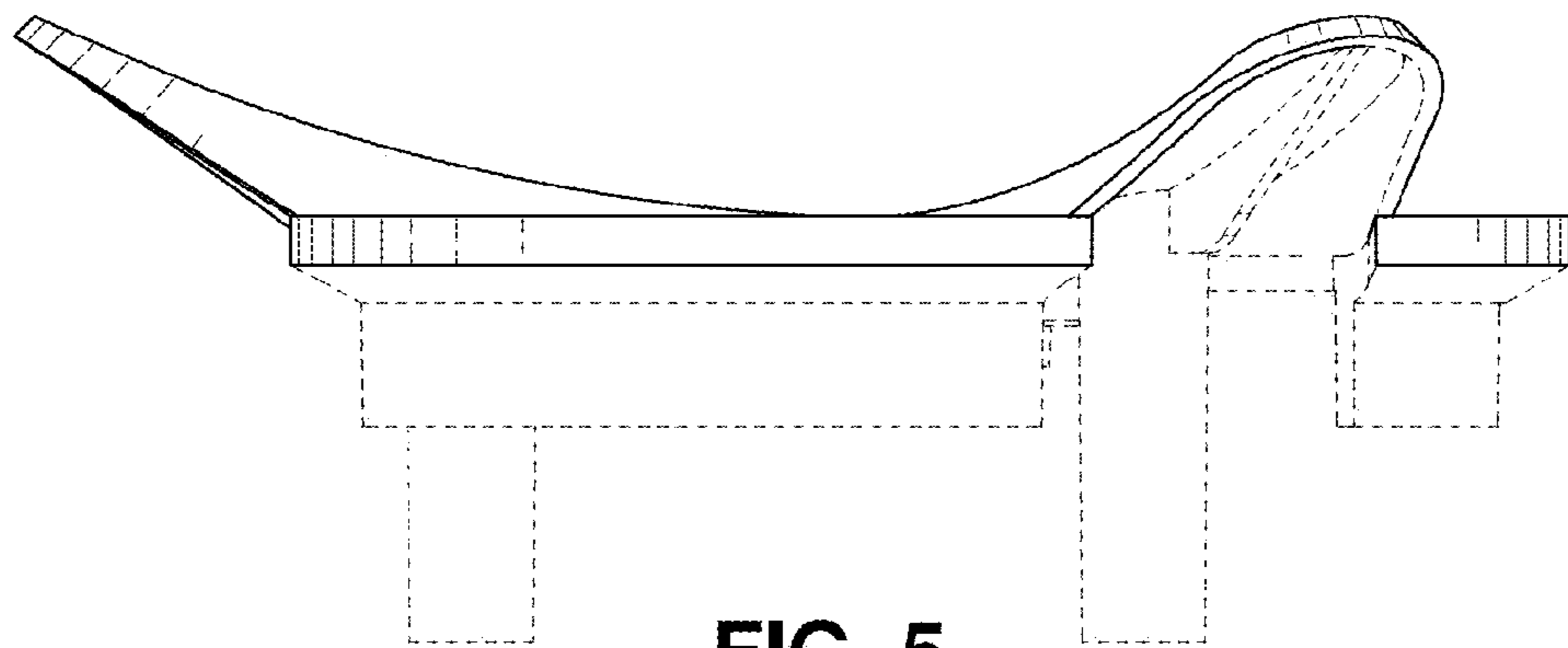


FIG. 5

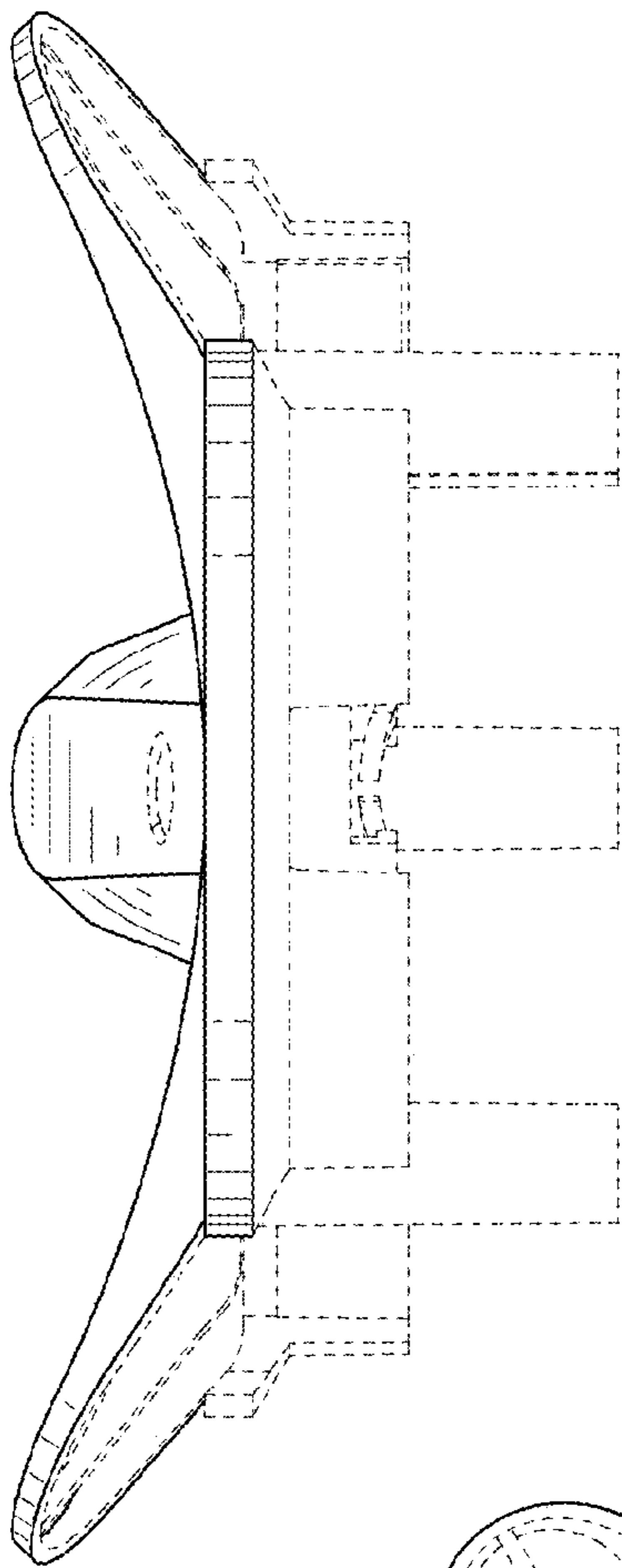


FIG. 6

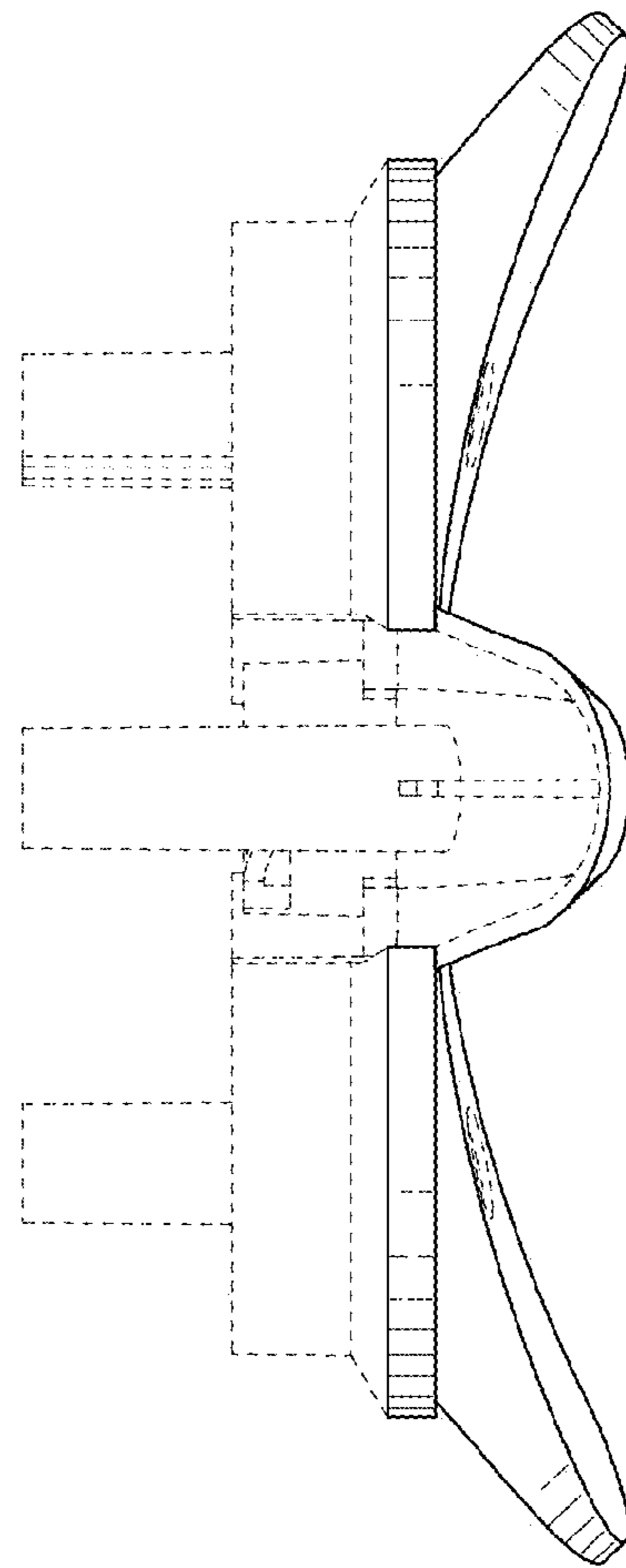


FIG. 7

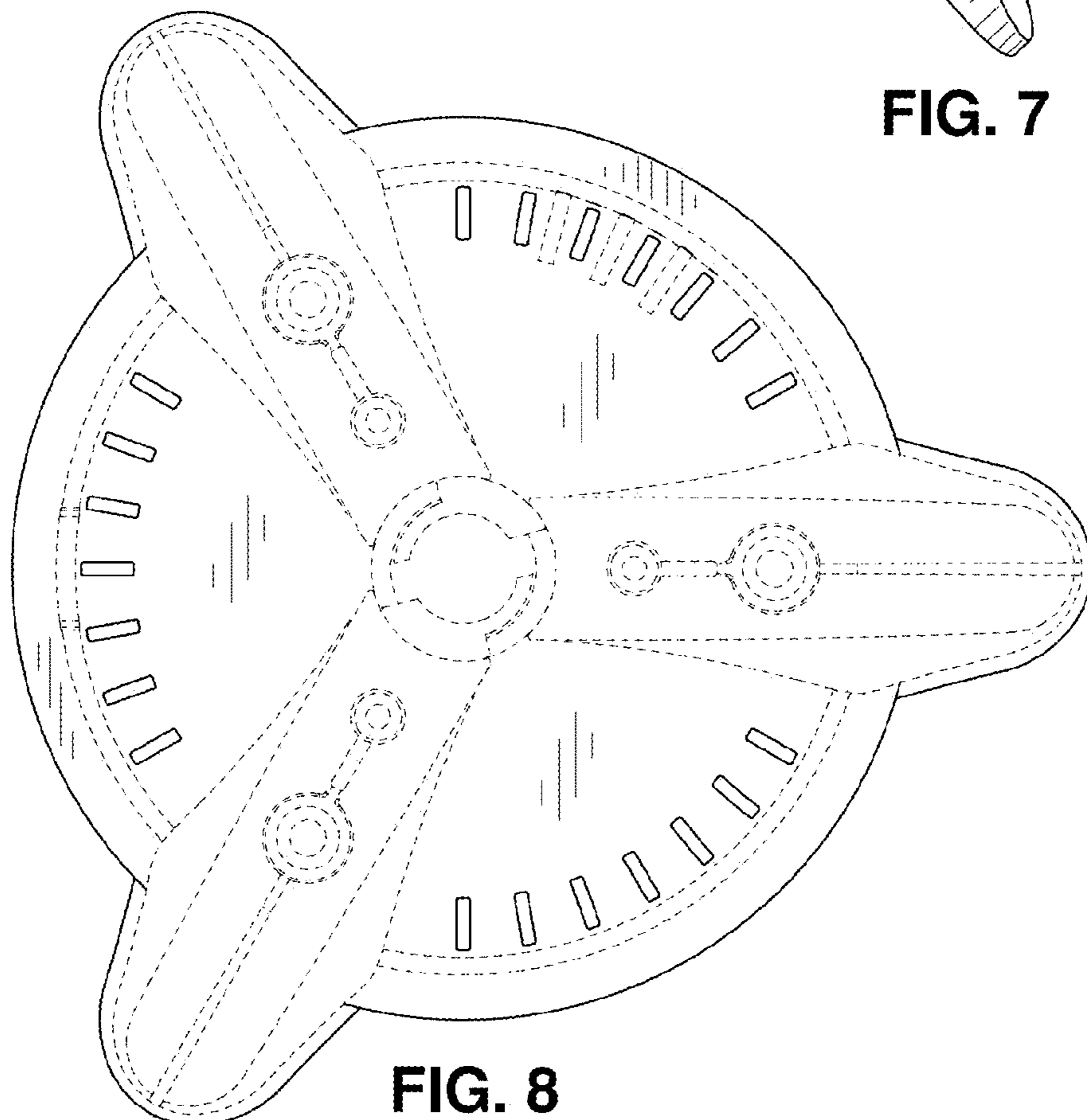


FIG. 8

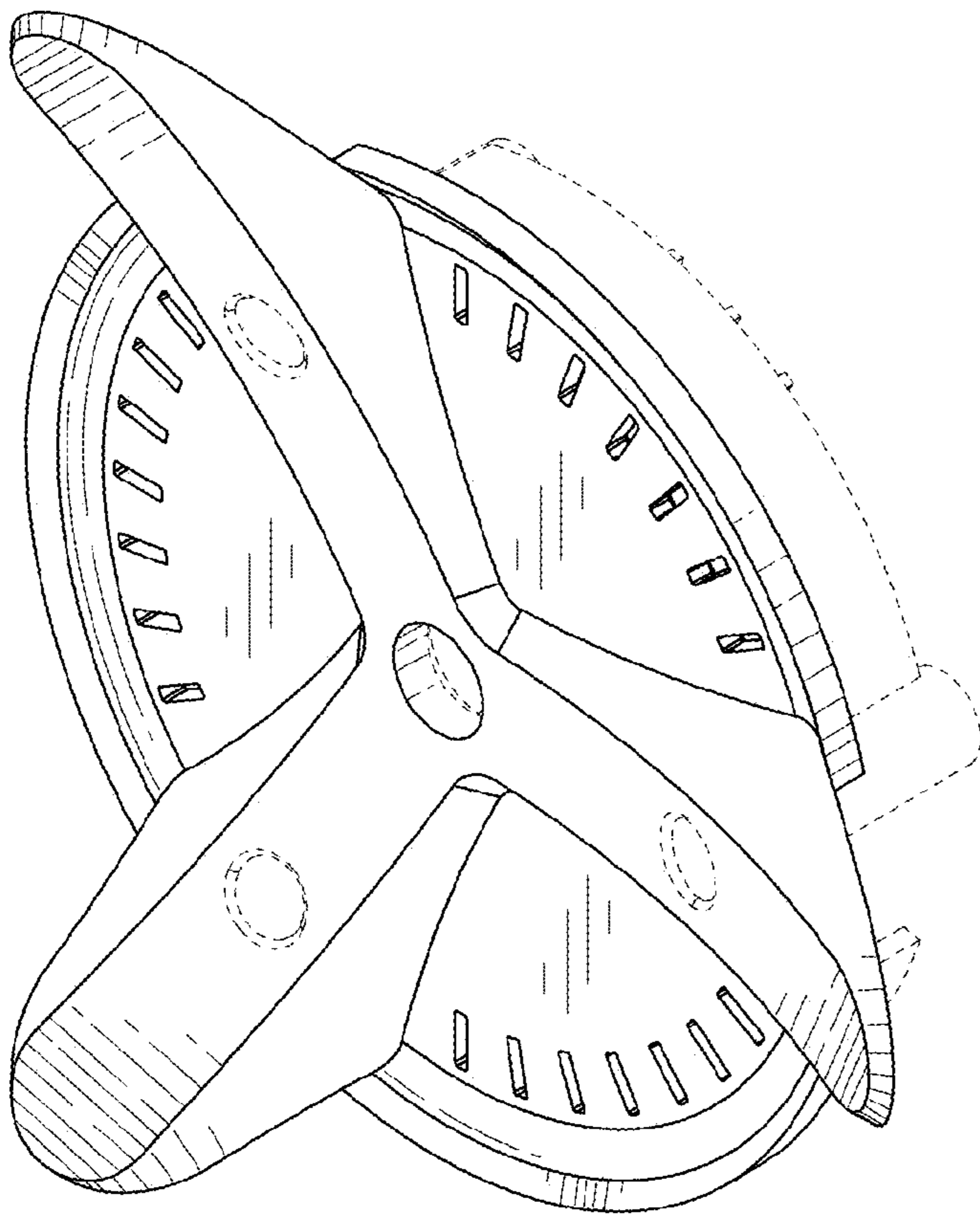


FIG. 9

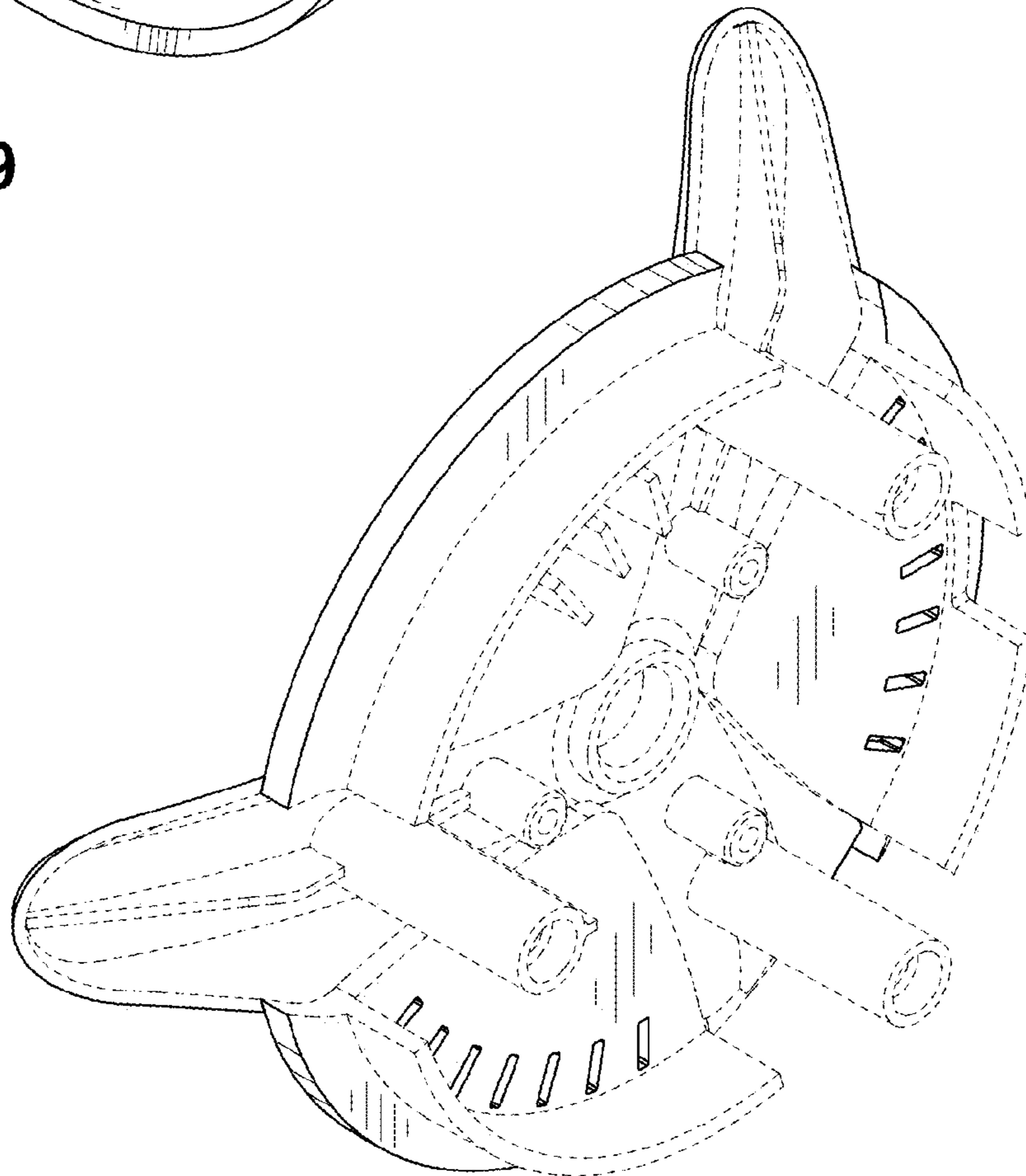


FIG. 10

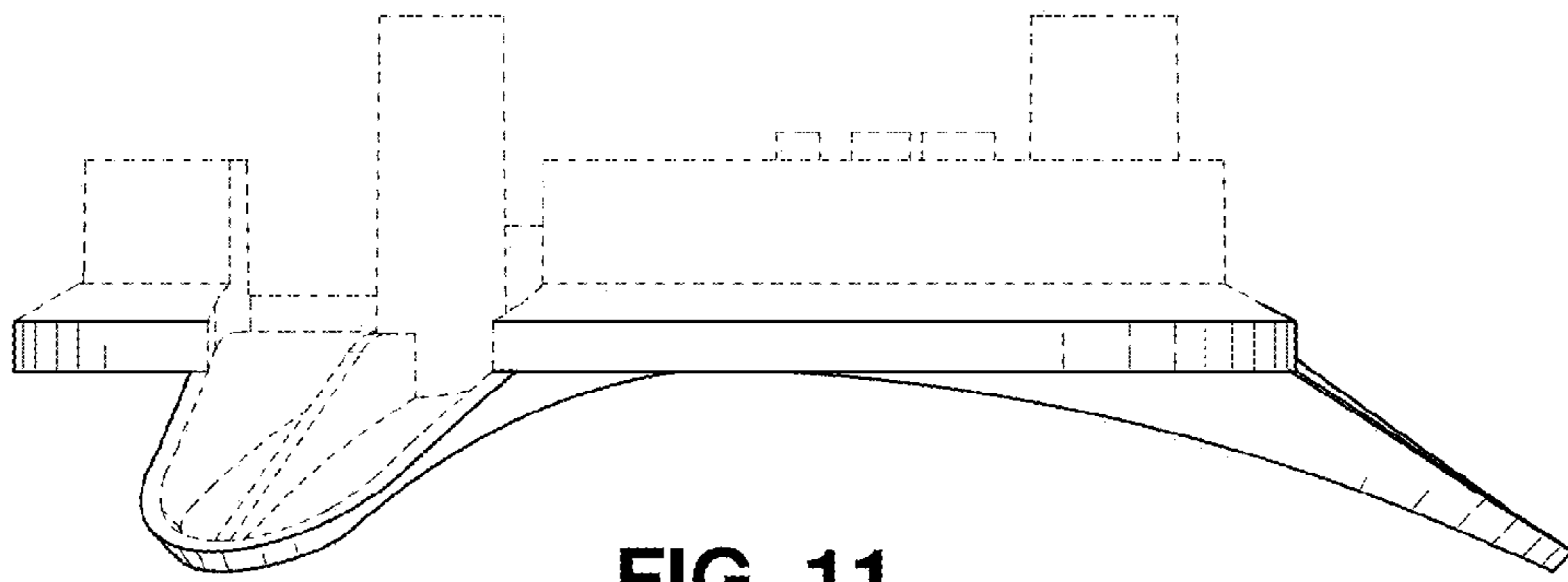


FIG. 11

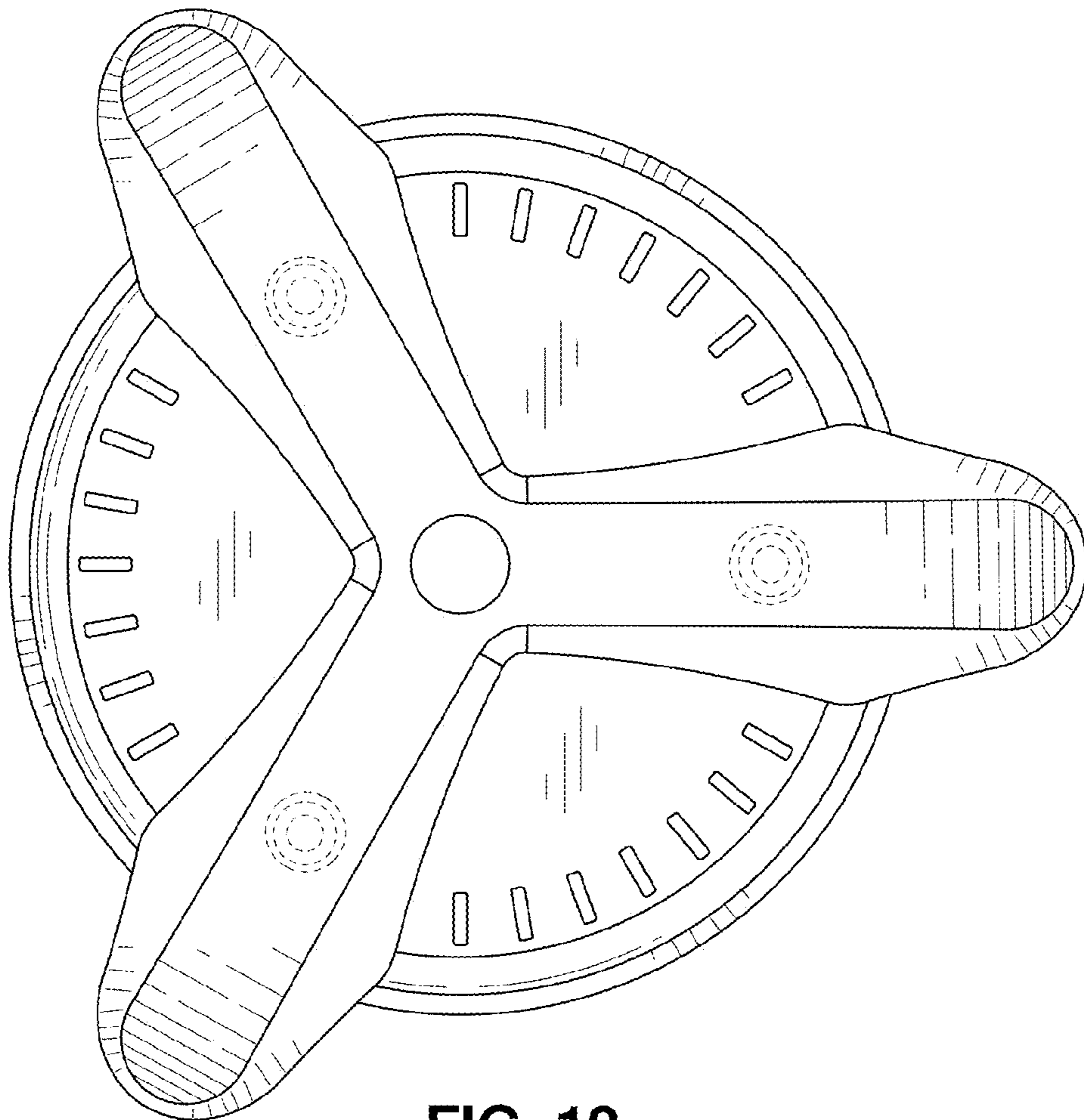


FIG. 12

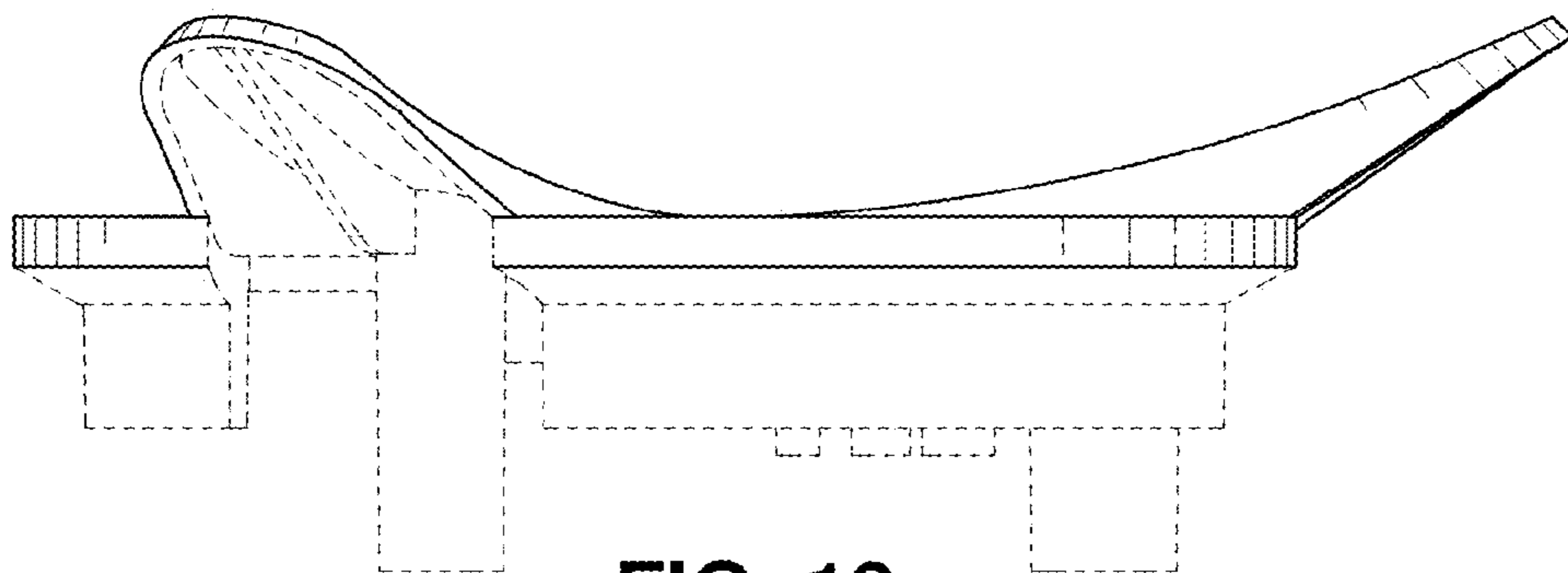


FIG. 13

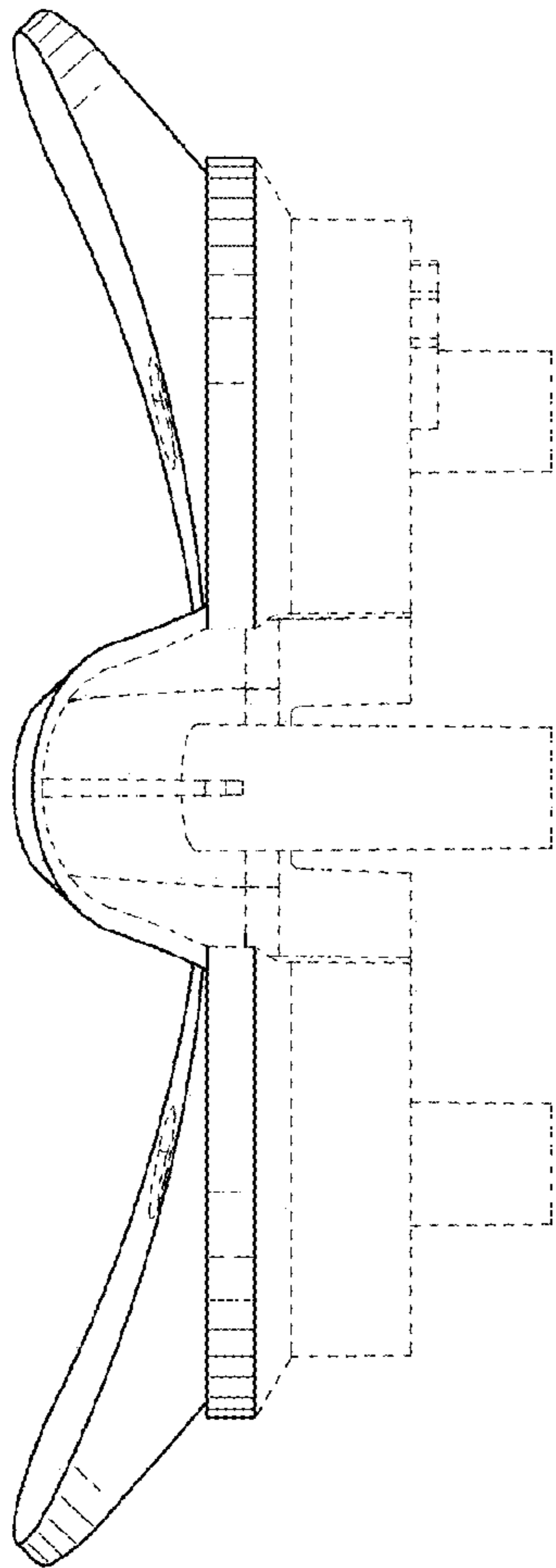


FIG. 14

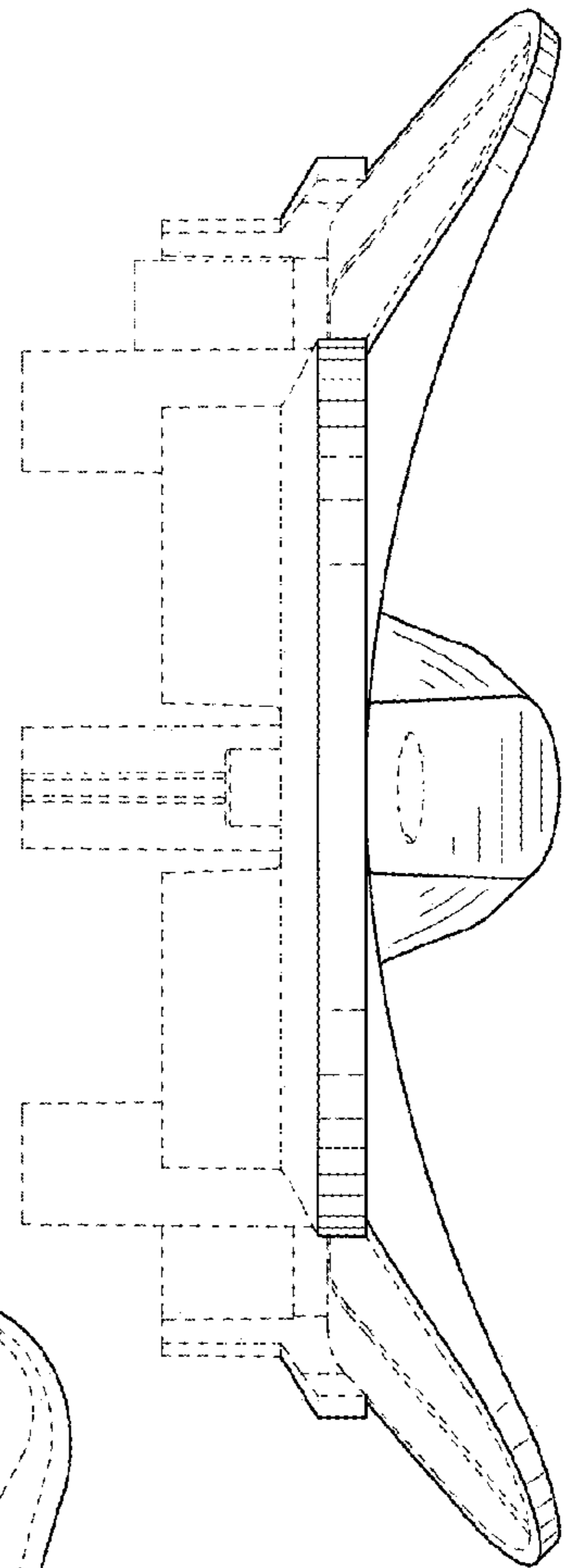


FIG. 15

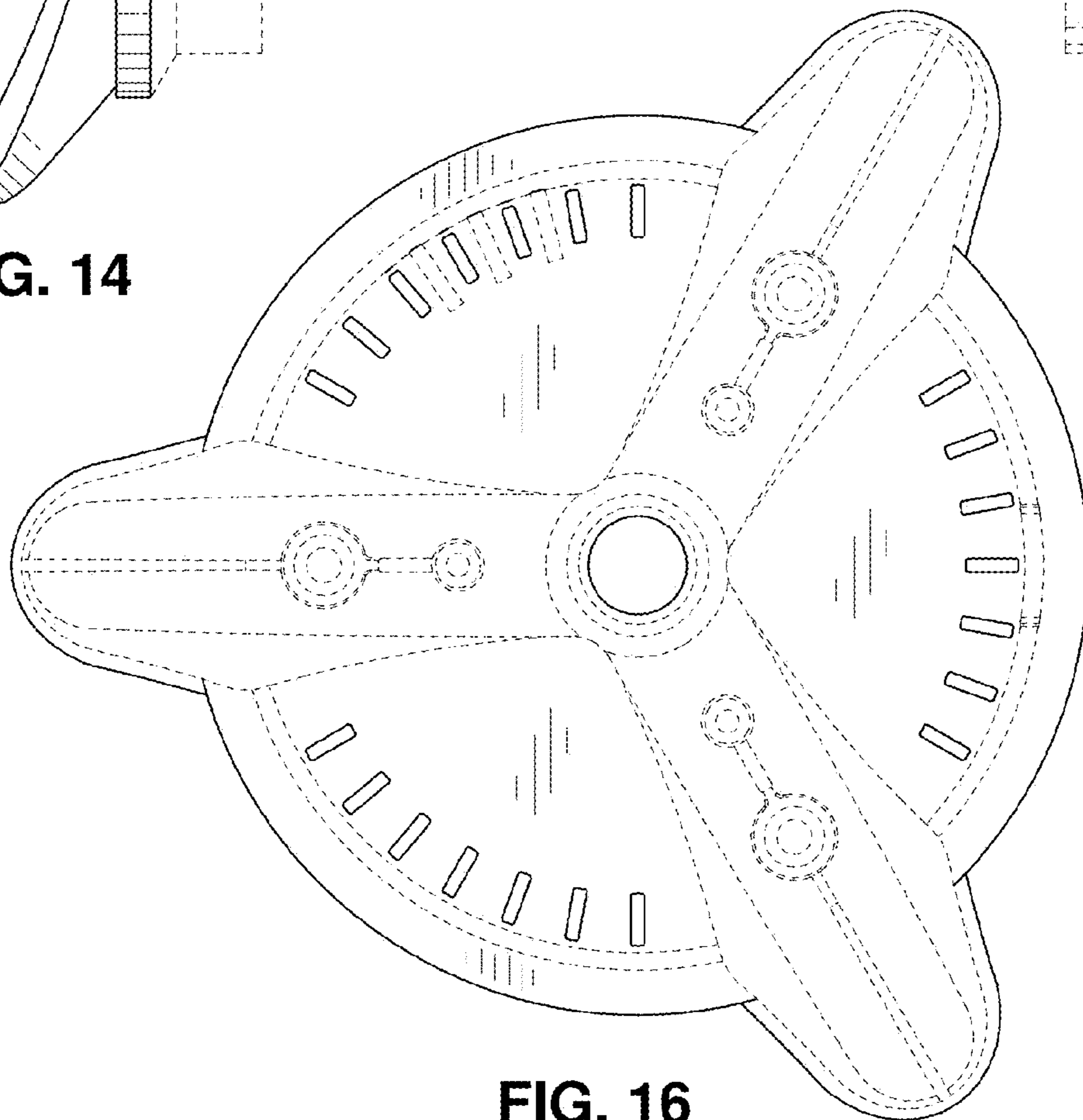


FIG. 16