



US00D973157S

(12) **United States Design Patent**
Zheng

(10) **Patent No.:** **US D973,157 S**

(45) **Date of Patent:** **** Dec. 20, 2022**

(54) **ABDOMINAL TRAINER**

(71) Applicant: **Zhengzhou Anfen Trading Co., Ltd.**,
Zhengzhou (CN)

(72) Inventor: **Liyi Zheng**, Zhengzhou (CN)

(73) Assignee: **Zhengzhou Anfen Trading Co., Ltd.**,
Zhengzhou (CN)

(**) Term: **15 Years**

(21) Appl. No.: **29/833,767**

(22) Filed: **Apr. 7, 2022**

(51) **LOC (13) Cl.** **21-02**

(52) **U.S. Cl.**
USPC **D21/690**

(58) **Field of Classification Search**
USPC D21/686-694
CPC A63B 23/0458; A63B 2208/0204; A63B
21/0004; A63B 21/0442; A63B 22/18;
A63B 22/16; A63B 26/003; A63B
21/4025; A63B 21/02; A63B 21/4017;
A63B 21/4029

See application file for complete search history.

(56) **References Cited**

U.S. PATENT DOCUMENTS

- 5,350,346 A * 9/1994 Martinez A63B 21/4031
482/142
- D806,809 S 1/2018 Orellana et al.
- D914,812 S * 3/2021 Campanaro D21/674
- 10,953,275 B2 * 3/2021 Porteros De Luz
A63B 23/0482
- D927,614 S * 8/2021 Behar D21/690
- D933,760 S * 10/2021 Qiao D21/676

- D933,763 S * 10/2021 Wang D21/687
- D939,033 S * 12/2021 McGrotty D21/690
- D952,777 S * 5/2022 Horita D21/690
- D953,452 S * 5/2022 Smith D21/686
- 2005/0143233 A1 * 6/2005 Shifferaw A63B 21/023
482/130
- 2009/0176633 A1 * 7/2009 Dlugopolskiy A63B 21/4047
482/100
- 2015/0038304 A1 * 2/2015 Davenport A63B 23/1218
482/123

* cited by examiner

Primary Examiner — Katrina A Betton

(74) *Attorney, Agent, or Firm* — Nitin Kaushik

(57) **CLAIM**

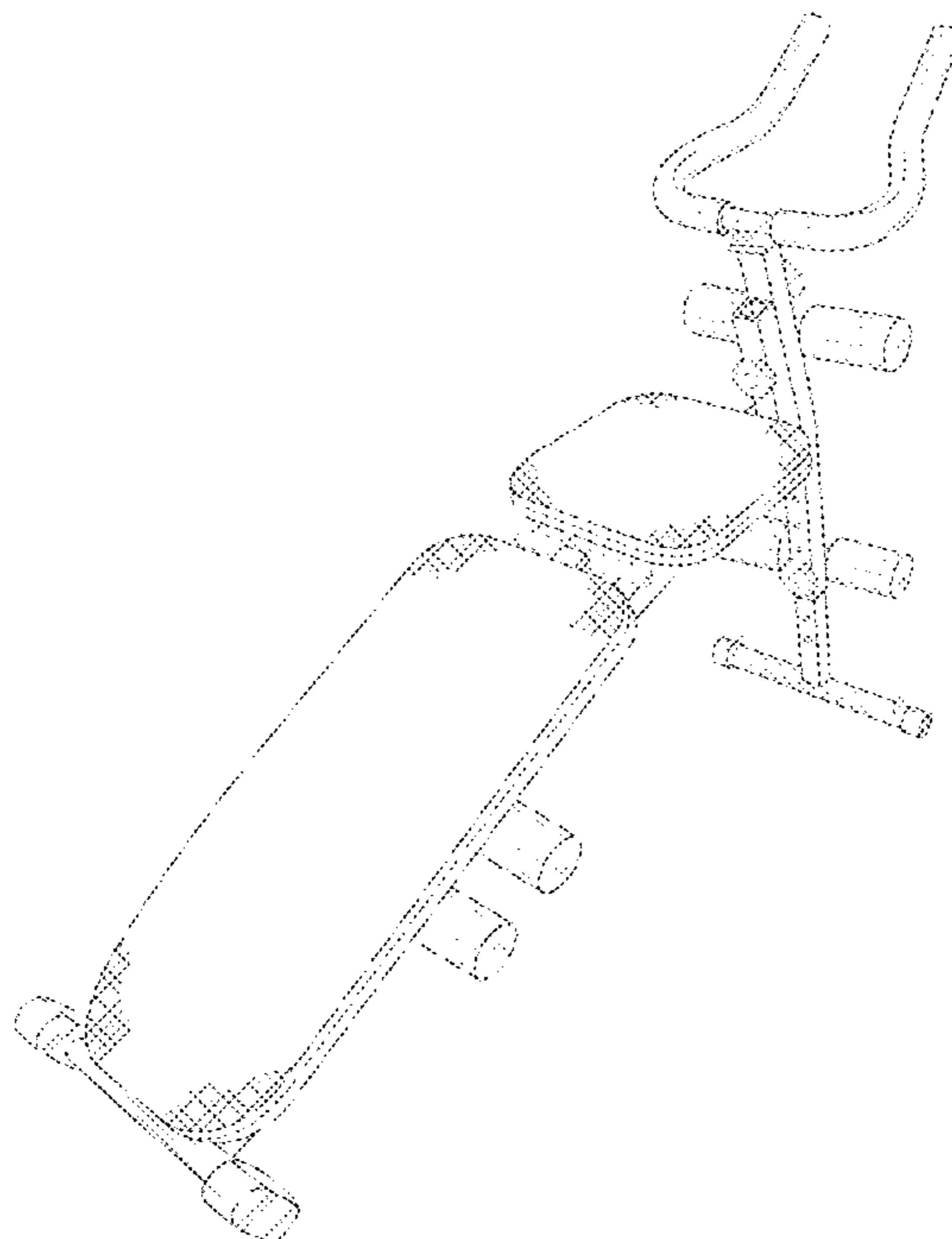
The ornamental design for an abdominal trainer, as shown and described.

DESCRIPTION

FIG. 1 is a rear perspective view of an abdominal trainer, showing my new design;
 FIG. 2 is a front view thereof;
 FIG. 3 is a rear view thereof;
 FIG. 4 is a left side view thereof;
 FIG. 5 is a right side view thereof;
 FIG. 6 is a top view thereof;
 FIG. 7 is a bottom view thereof;
 FIG. 8 is a bottom perspective view thereof; and,
 FIG. 9 is its use state diagram.

The broken lines in the drawings illustrate the portions of the abdominal trainer, which form no part of the claimed design.

1 Claim, 9 Drawing Sheets



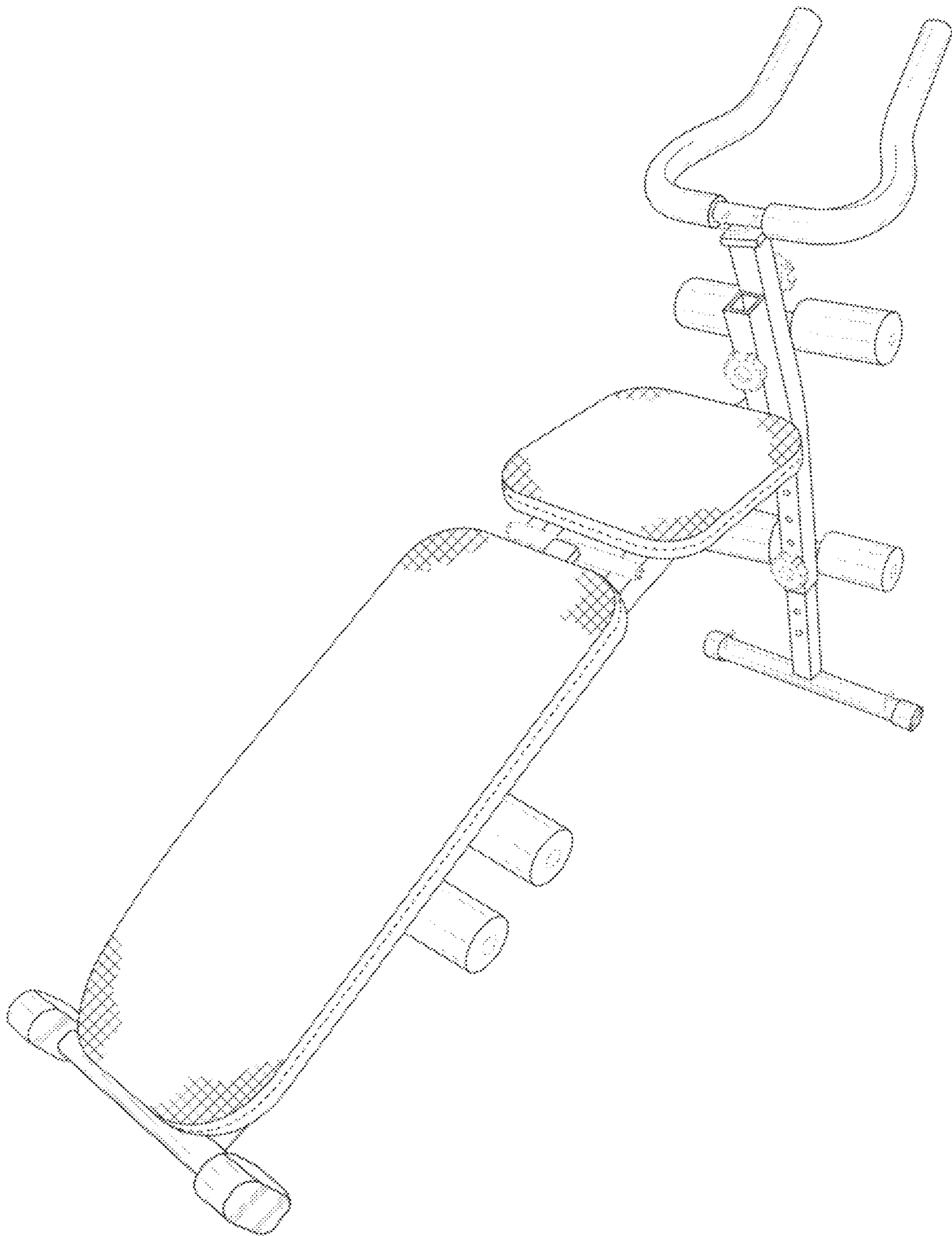


FIG. 1

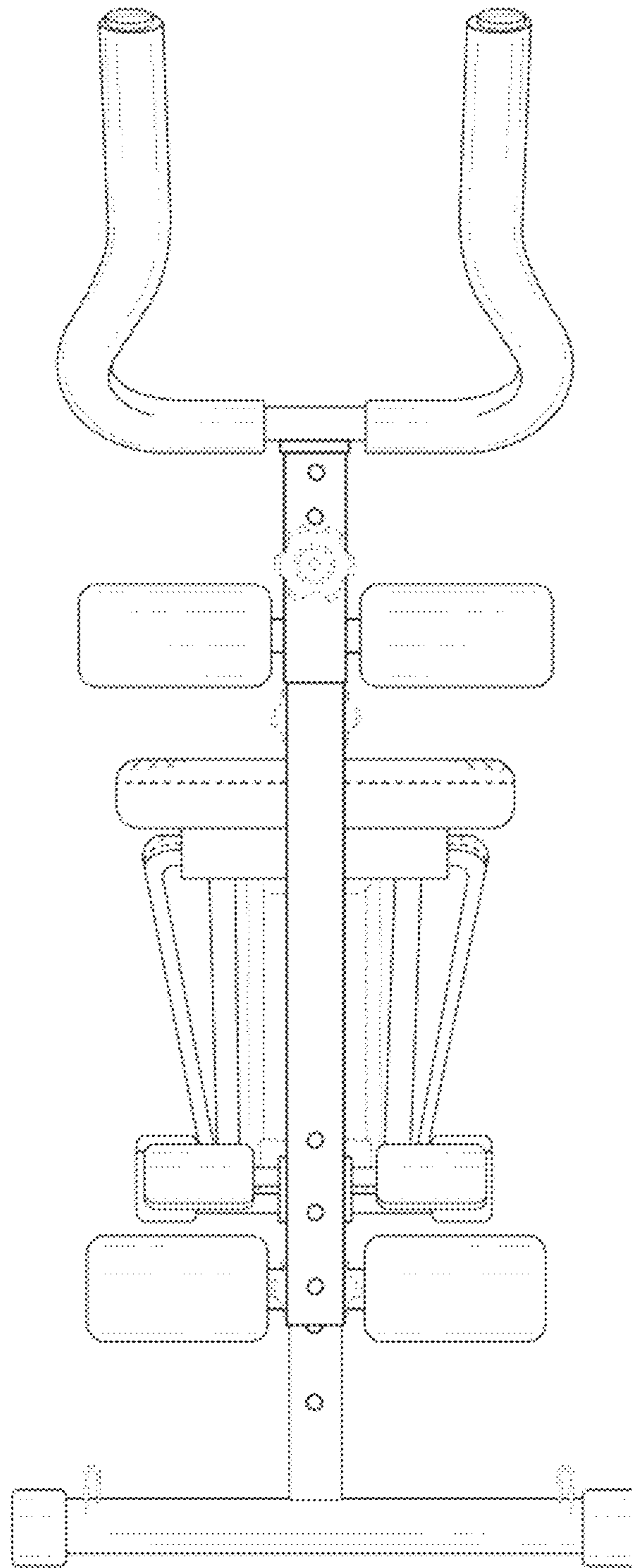


FIG. 2

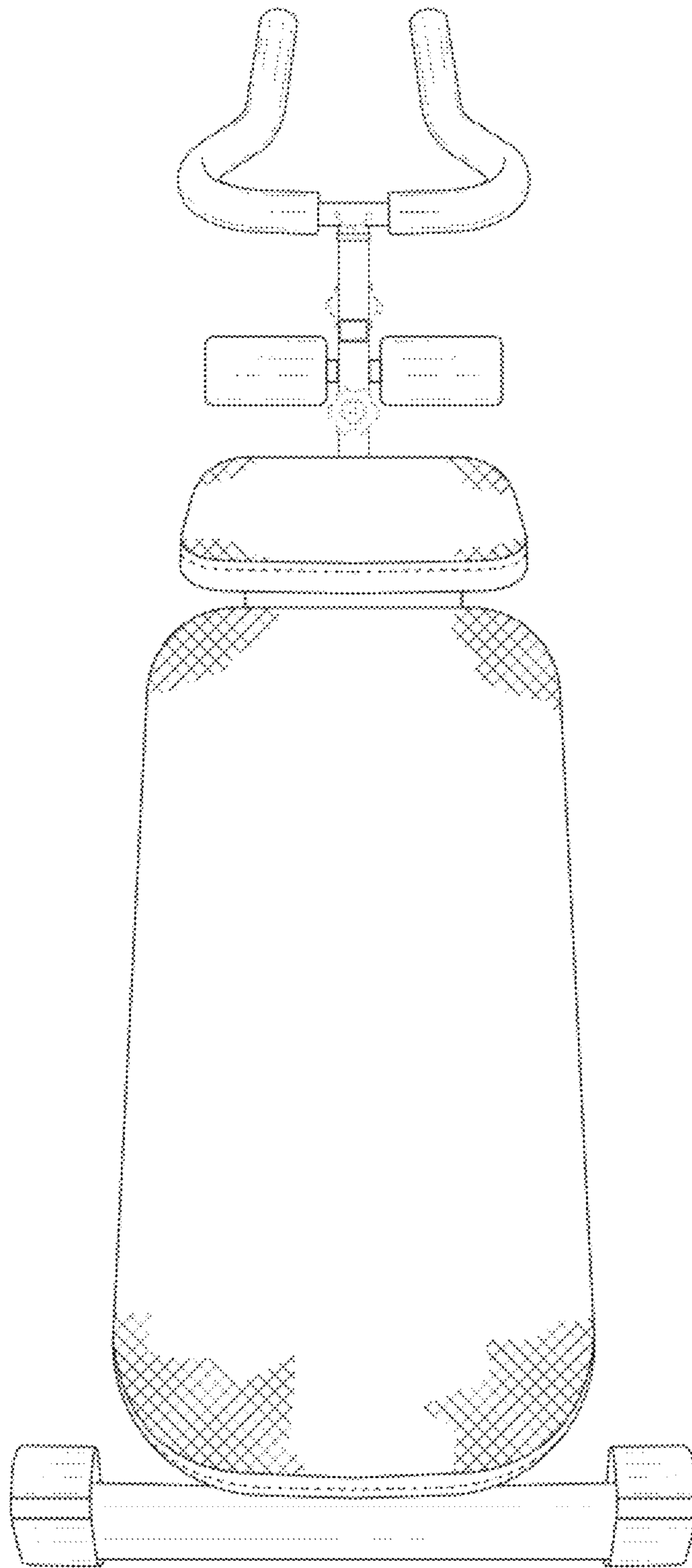


FIG. 3

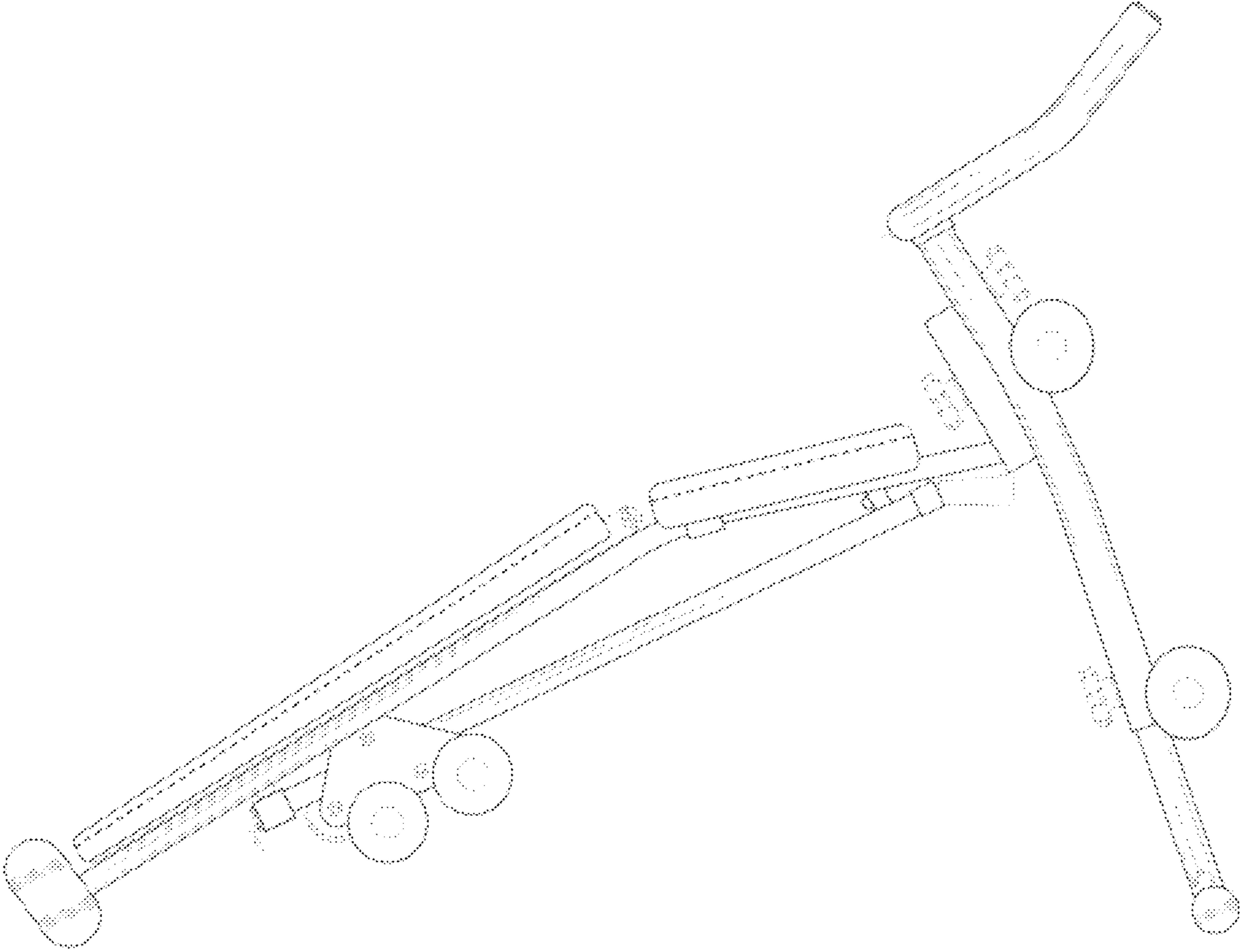


FIG. 4

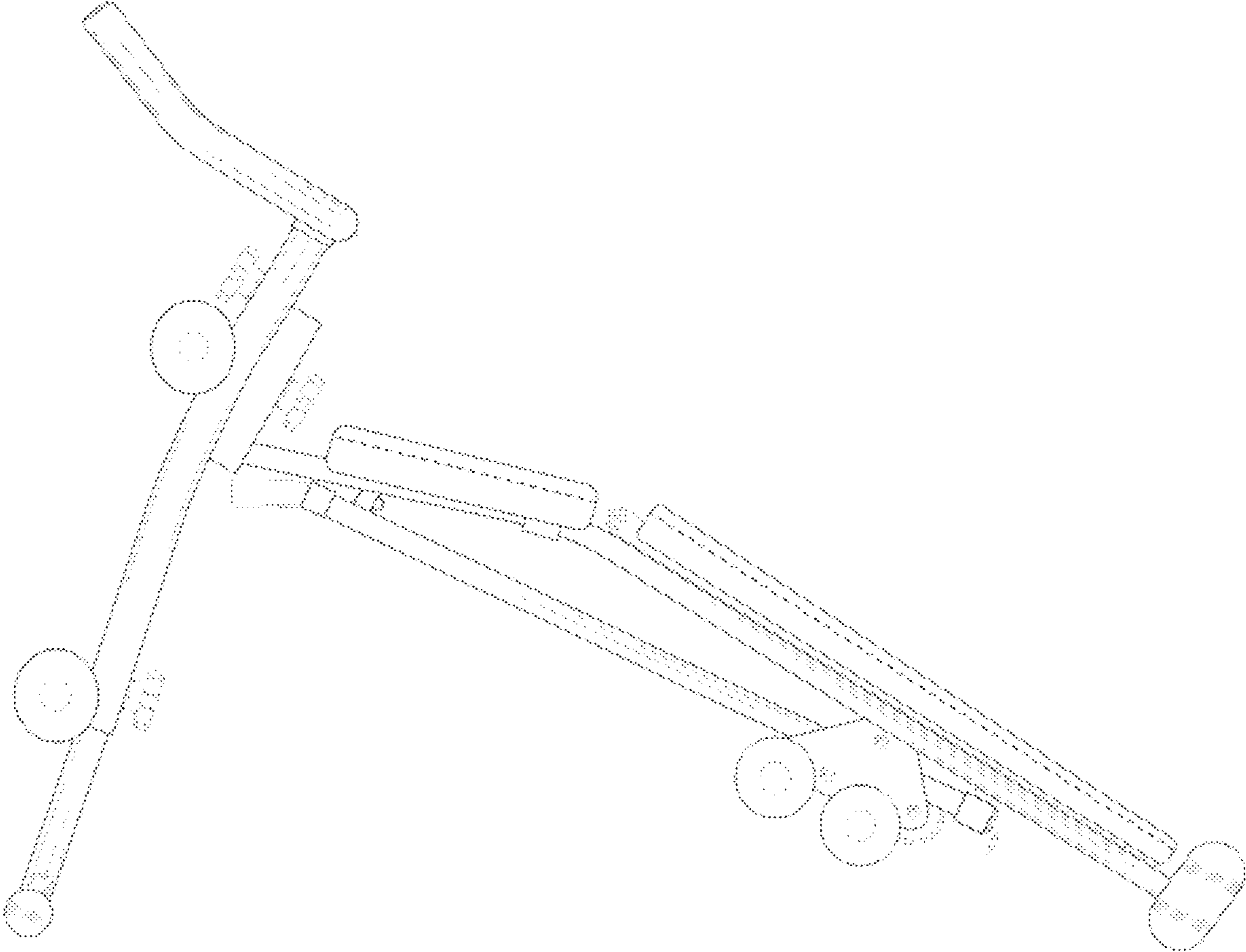


FIG. 5

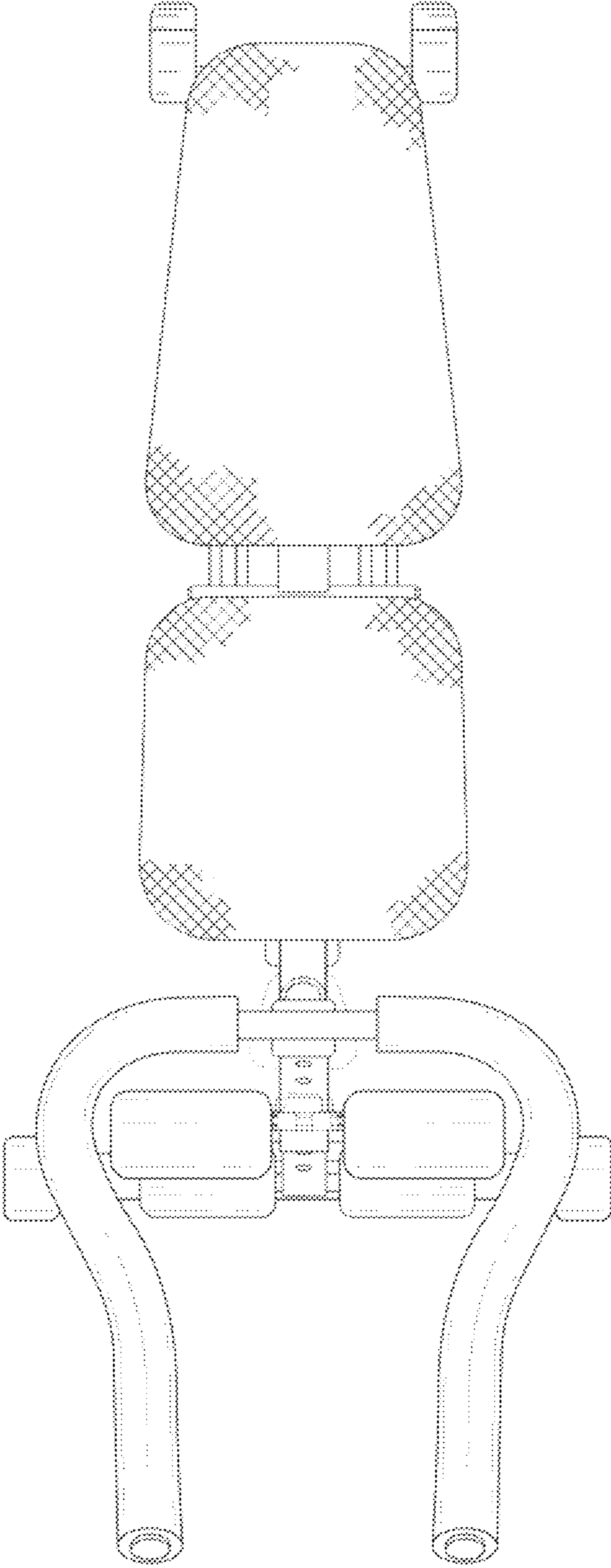


FIG. 6

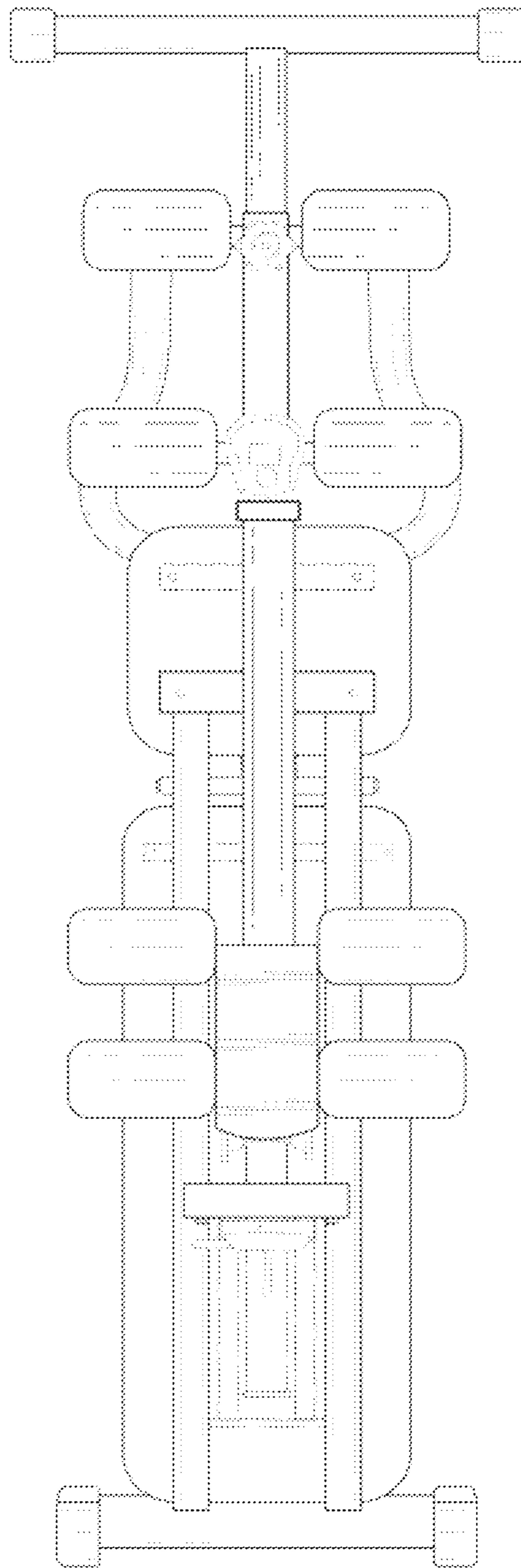


FIG. 7

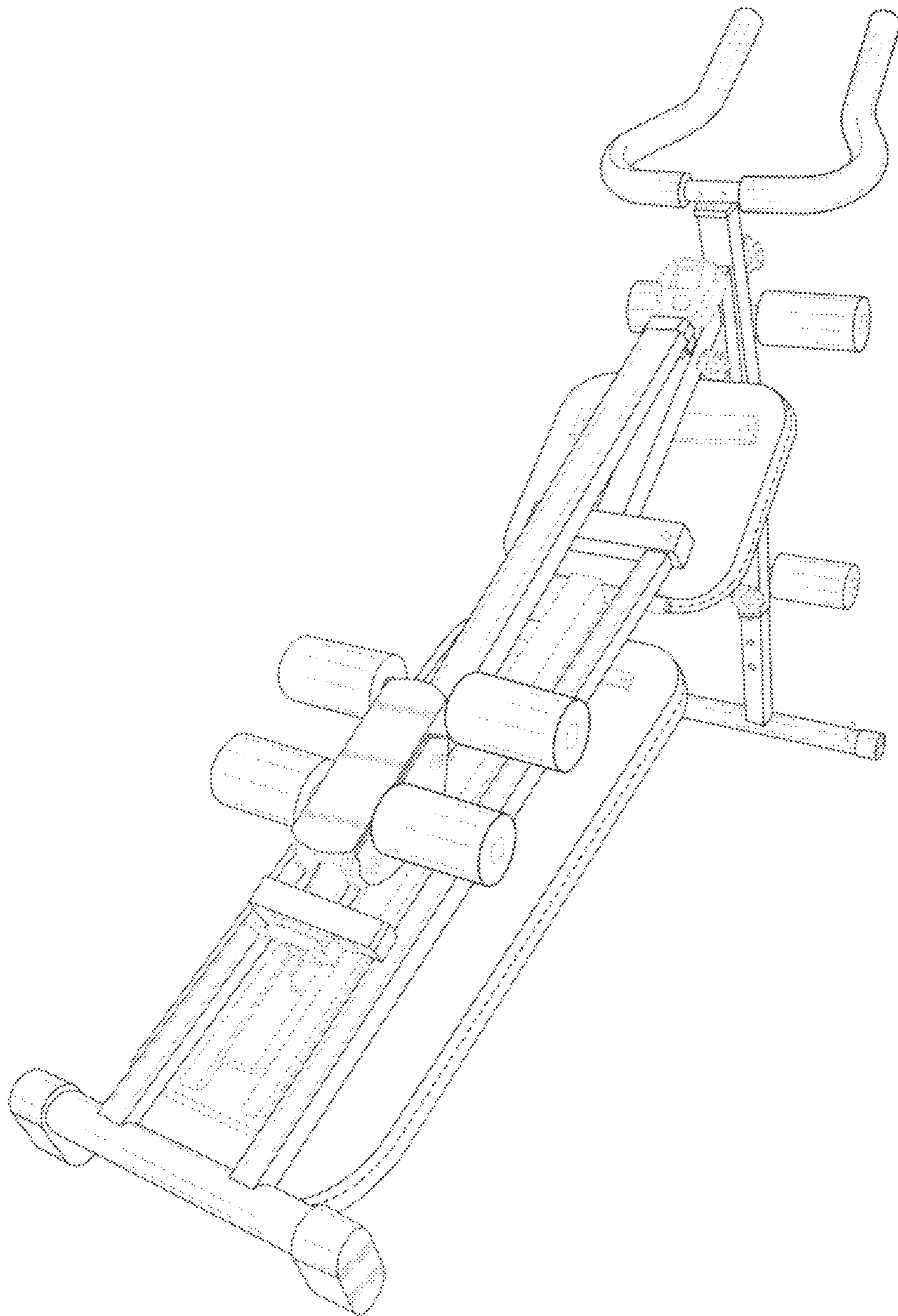


FIG. 8

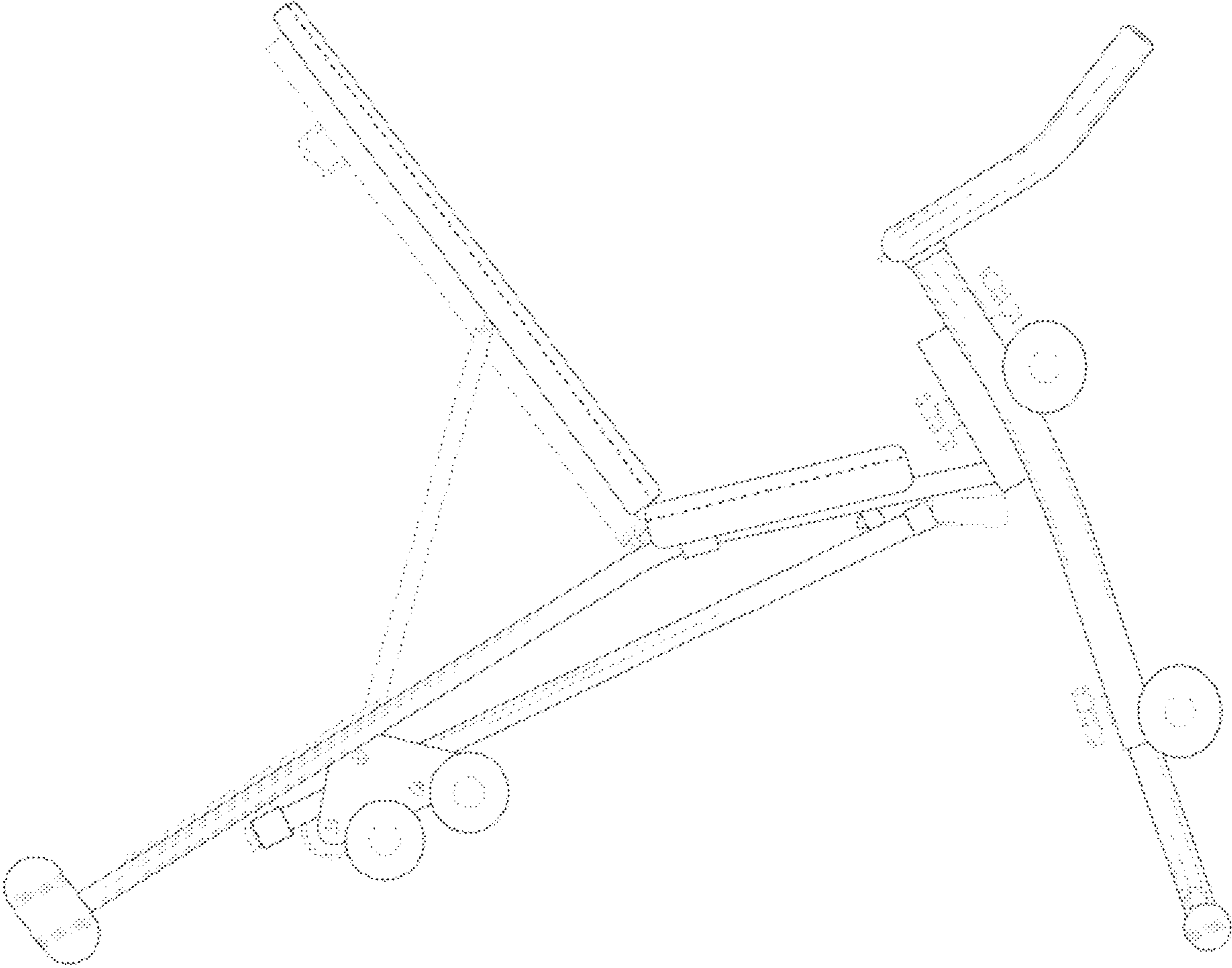


FIG. 9