



US00D973156S

(12) **United States Design Patent** (10) **Patent No.:** **US D973,156 S**  
**Klopman** (45) **Date of Patent:** **\*\* Dec. 20, 2022**

(54) **BALANCE TRAINING DEVICE**  
 (71) Applicant: **James E. Klopman**, Birmingham, AL (US)  
 (72) Inventor: **James E. Klopman**, Birmingham, AL (US)  
 (\*\*) Term: **15 Years**  
 (21) Appl. No.: **29/768,626**  
 (22) Filed: **Jan. 30, 2021**

**Related U.S. Application Data**

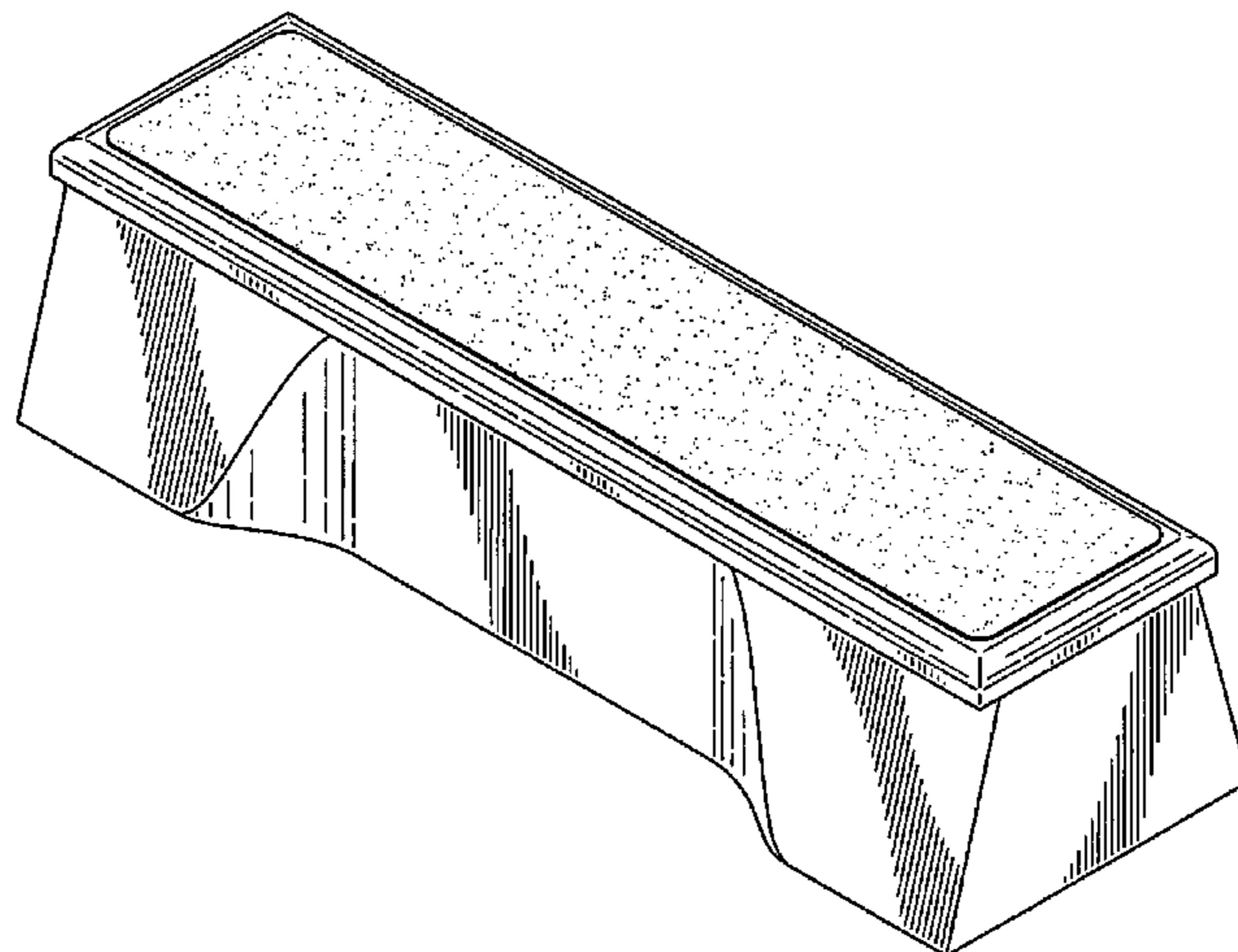
(63) Continuation of application No. 17/140,053, filed on Jan. 2, 2021, now Pat. No. 11,161,013, which is a continuation of application No. 16/932,692, filed on Jul. 17, 2020.  
 (51) **LOC (13) Cl.** ..... **21-02**  
 (52) **U.S. Cl.**  
 USPC ..... **D21/688**; D21/686; D21/671  
 (58) **Field of Classification Search**  
 USPC ..... D21/671, 662, 668, 686, 688, 689, 690; 273/113, 114, 115, 449, 110; 482/123, 482/146, 142, 147, 52, 141  
 CPC ..... A63B 26/003; A63B 22/16; A63B 22/18; A63B 21/0552; A63B 2208/0204; A63B 23/0458; A63B 22/0056; A63B 22/14  
 See application file for complete search history.

**References Cited**

**U.S. PATENT DOCUMENTS**

1,545,437 A 7/1925 Albert  
 2,539,869 A 1/1951 Sicklesteel  
 3,423,852 A 1/1969 Willfred  
 3,570,847 A 3/1971 Bowen  
 3,806,116 A 4/1974 Malmberg et al.  
 4,253,661 A 3/1981 Russell  
 4,491,318 A 1/1985 Francke  
 4,601,469 A 7/1986 Sasser, Jr.  
 4,893,809 A 1/1990 Blankenzee  
 5,048,823 A 9/1991 Bean  
 D330,057 S \* 10/1992 Saunders ..... D21/671

D330,234 S \* 10/1992 Saunders ..... D21/671  
 5,154,678 A \* 10/1992 Adamczyk ..... A63B 23/0458 108/90  
 5,318,489 A \* 6/1994 Irwin ..... A63B 23/0458 482/142  
 D353,636 S \* 12/1994 Le Roux ..... D21/671  
 5,469,740 A 11/1995 French et al.  
 D370,949 S \* 6/1996 Furner ..... D21/671  
 D371,176 S \* 6/1996 Furner ..... D21/671  
 5,536,072 A \* 7/1996 Chang ..... A47C 16/025 248/422  
 5,540,638 A \* 7/1996 Wilkinson ..... A47C 3/20 482/51  
 5,584,787 A 12/1996 Guidry  
 5,591,105 A \* 1/1997 Dalebout ..... A63B 23/0458 482/52  
 5,613,690 A 3/1997 McShane et al.  
 5,643,154 A 7/1997 Awbrey et al.  
 5,645,511 A \* 7/1997 Le Roux ..... A63B 23/0458 482/142  
 5,656,000 A 8/1997 Russell  
 5,697,870 A \* 12/1997 Osborn ..... A63B 23/0458 482/52  
 5,833,587 A 11/1998 Strong et al.  
 5,897,474 A 4/1999 Romero  
 D413,989 S \* 9/1999 Dupont ..... D25/62  
 6,389,883 B1 5/2002 Berme et al.  
 6,461,285 B1 10/2002 Theunissen et al.  
 6,551,225 B1 4/2003 Romero  
 6,652,432 B2 11/2003 Smith  
 6,702,726 B2 3/2004 Lin  
 6,705,977 B1 3/2004 Ziak  
 6,719,676 B1 4/2004 Hsu  
 6,790,166 B2 9/2004 Broudy  
 6,929,588 B2 8/2005 Hobson  
 6,942,487 B2 9/2005 Corbalis  
 6,945,920 B1 9/2005 Kemery et al.  
 7,004,886 B2 2/2006 Chen  
 D517,136 S 3/2006 Chen  
 7,074,166 B2 7/2006 Weitzman  
 7,147,593 B2 12/2006 Vittone  
 7,169,099 B1 1/2007 Kemery et al.  
 7,288,055 B2 10/2007 Blaum  
 7,335,172 B2 2/2008 Laserow  
 7,374,517 B2 5/2008 Lockett  
 7,488,282 B2 2/2009 Leavitt  
 7,566,291 B2 7/2009 Lickle  
 7,591,763 B1 \* 9/2009 Fucci ..... A63B 21/0552 482/121  
 7,601,107 B2 10/2009 Maloy  
 7,632,218 B2 12/2009 Sannes  
 7,645,221 B1 1/2010 Curry  
 7,717,379 B2 5/2010 Kimmel



# US D973,156 S

7,806,807 B2	10/2010	Genua	2009/0270231 A1	10/2009	Hall et al.	
7,811,216 B2	10/2010	Babiarz	2009/0312165 A1	12/2009	Rempe	
7,833,144 B1	11/2010	Como et al.	2010/0167887 A1	7/2010	Berry	
7,922,624 B1	4/2011	Fairhurst et al.	2010/0279833 A1	11/2010	Gant	
7,931,570 B2	4/2011	Hoffman	2010/0331154 A1	12/2010	Taylor	
7,946,928 B2	5/2011	Mooney	2011/0207583 A1*	8/2011	Elpers .....	A63B 23/04
8,105,218 B1	1/2012	Vayntraub				482/52
8,105,220 B2	1/2012	Schultheisz	2011/0224059 A1	9/2011	Crawley	
8,434,824 B2	5/2013	Spinabella et al.	2011/0237412 A1	9/2011	Signorile	
8,517,853 B2	8/2013	Miller et al.	2011/0256987 A1*	10/2011	Lepore .....	A63B 23/0458
D695,367 S *	12/2013	Lovegrove .....				482/52
8,632,440 B2	1/2014	Pratson et al.	2012/0138113 A1	6/2012	Spinabella et al.	
8,647,239 B1	2/2014	Sokolovas et al.	2012/0202652 A1*	8/2012	Ross .....	A63B 23/0458
8,678,985 B2	3/2014	Mattox				482/52
8,900,165 B2	12/2014	Jeka et al.	2012/0208678 A1	8/2012	Knilans	
D724,162 S	3/2015	James	2012/0252644 A1	10/2012	Reade	
8,998,319 B2	4/2015	Bahneman et al.	2012/0258841 A1	10/2012	James	
8,998,784 B1	4/2015	Sloan et al.	2013/0029814 A1	1/2013	D'Alessandro	
D734,411 S *	7/2015	Powers .....	2013/0047461 A1	2/2013	Tzeng	
9,095,738 B2	8/2015	Senegal	2013/0184131 A1	7/2013	Doyle	
9,278,242 B2*	3/2016	Winn .....	2013/0252217 A1	9/2013	Grzesiak et al.	
9,295,911 B2	3/2016	Claudel et al.	2013/0267390 A1	10/2013	Warren	
9,320,940 B2	4/2016	Rainey	2013/0288866 A1	10/2013	Rainey	
9,387,363 B1	7/2016	Polinsky	2013/0316886 A1	11/2013	Lynch et al.	
9,446,307 B2	9/2016	Klein et al.	2013/0334846 A1	12/2013	Bahneman et al.	
9,457,226 B2	10/2016	Heath	2014/0011649 A1	1/2014	Carney	
9,545,533 B2	1/2017	Boyer	2014/0057758 A1	2/2014	Mack	
D778,377 S *	2/2017	Daniel .....	2014/0081177 A1	3/2014	Eguibar et al.	
9,596,936 B2	3/2017	Bahneman et al.	2014/0162858 A1	6/2014	Dalebout	
9,630,040 B1	4/2017	Louis	2014/0171213 A1	6/2014	Newman et al.	
9,744,402 B2	8/2017	Klassen	2014/0302973 A1	10/2014	Fitterer	
9,750,980 B1	9/2017	Khalili	2014/0329653 A1	11/2014	Klopman	
D804,590 S *	12/2017	Hillson .....	2014/0371041 A1	12/2014	Terpstra et al.	
9,913,508 B2	3/2018	Tzeng	2015/0057138 A1	2/2015	Knilans	
D815,701 S *	4/2018	Spencer .....	2015/0196799 A1*	7/2015	Chua .....	A63B 23/1236
9,931,540 B1	4/2018	Lazar et al.				482/141
9,999,807 B2	6/2018	Rainey	2015/0202495 A1	7/2015	Klein et al.	
10,029,145 B2	7/2018	Douglass	2015/0265878 A1	9/2015	Hjelt et al.	
10,045,647 B2	8/2018	Publicover et al.	2015/0321051 A1	11/2015	Olson	
10,071,287 B2	9/2018	Dedvukaj et al.	2016/0199689 A1*	7/2016	Irwin .....	B32B 27/065
10,159,372 B2	12/2018	Heath				482/142
10,220,243 B2	3/2019	Koegel	2017/0080284 A1*	3/2017	Hillson .....	A63B 23/0458
10,252,103 B2	4/2019	Irwin et al.	2017/0144017 A1	5/2017	Crist	
10,286,252 B2*	5/2019	Hsu .....	2017/0172331 A1	6/2017	Publicover et al.	
D855,718 S *	8/2019	Hsu .....	2017/0291065 A1	10/2017	Klopman	
10,456,626 B2	10/2019	Groshek	2017/0291069 A1	10/2017	Zakariasen	
10,507,359 B1	12/2019	Shubin Stein	2018/0001126 A1	1/2018	Klopman	
10,512,814 B1	12/2019	Conroy	2018/0215434 A1	8/2018	Chen	
10,674,786 B2	6/2020	Adair et al.	2019/0008302 A1	1/2019	Publicover	
D890,869 S *	7/2020	Jones .....	2019/0076718 A1	3/2019	Lee	
10,751,560 B2	8/2020	Hall	2019/0269973 A1	9/2019	Kopke et al.	
10,751,594 B2	8/2020	Lee	2019/0282878 A1	9/2019	Gouzenko	
10,894,183 B2	1/2021	Irwin et al.	2020/0138662 A1	5/2020	Powell	
10,905,915 B2	2/2021	Wallace	2020/0278757 A1	9/2020	Nir et al.	
D919,019 S *	5/2021	Jaquish .....	2021/0121742 A1*	4/2021	Klopman .....	A63B 26/003
D921,134 S *	6/2021	Jaquish .....				
2004/0018924 A1	1/2004	Szydlowski et al.				
2004/0082399 A1	4/2004	Shioda				
2004/0087421 A1	5/2004	Lin				
2004/0198573 A1	10/2004	Brydson et al.				
2005/0020418 A1	1/2005	Lin				
2005/0049123 A1	3/2005	Dalebout et al.				
2005/0148434 A1	7/2005	Stec				
2005/0245372 A1	11/2005	Mylrea et al.				
2006/0014615 A1	1/2006	Godbold				
2006/0035771 A1	2/2006	Gant				
2006/0040796 A1	2/2006	Holloway				
2006/0211553 A1	9/2006	Cantor				
2006/0270536 A1*	11/2006	Tukada .....				A63B 26/003
						482/146
2007/0087902 A1	4/2007	Penat				
2007/0155495 A1	7/2007	Goo				
2007/0207901 A1	9/2007	Traub				
2007/0298947 A1	12/2007	Eksteen				
2008/0020856 A1	1/2008	Rosa				
2008/0039304 A1	2/2008	Mattox				
2008/0312043 A1	12/2008	Cook				
2009/0178596 A1	7/2009	Skiba				
2009/0215596 A1	8/2009	Obermaier				

## FOREIGN PATENT DOCUMENTS

CN	104083175 A	10/2014
CN	104083175 B	5/2016
EP	0210253 A1	2/1987
EP	0464280 A1	1/1992
EP	1166718 B1	12/2004

## OTHER PUBLICATIONS

SlackBow by SlackBow dated Oct. 26, 2018. Found online [Dec. 13, 2021] <https://www.facebook.com/SlackBow/videos/slackblock-advanced-moves-sound-on-slackblocks-available-at-slackbowcomdynamicat/334476010661263/>.\*

SlackBow Balance by SlackBow dated no date given. Found online [Dec. 13, 2021] [https://www.slackbow.com/products.\\*](https://www.slackbow.com/products.*)

\* cited by examiner

*Primary Examiner* — Ryan Harvey  
(74) *Attorney, Agent, or Firm* — Blake T. Hudson

(57) **CLAIM**

The ornamental design for a balance training device, substantially as shown and described.

**DESCRIPTION**

FIG. 1 is a top perspective view of a balance training device according to an embodiment of the design.

FIG. 2 is a bottom perspective view of the balance training device shown in FIG. 1.

FIG. 3 is a first side view of the balance training device shown in FIG. 1 (a second side view of the balance training device being an identical mirror image thereof).

FIG. 4 is a first end view of the balance training device shown in FIG. 1 (a second end view of the balance training device being an identical mirror image thereof).

FIG. 5 is a top view of the balance training device shown in FIG. 1.

FIG. 6 is a bottom view of the balance training device shown in FIG. 1.

FIG. 7 is a detailed view of a portion of the balance training device shown in FIG. 6.

FIG. 8 is a cross sectional view of the balance training device shown in FIG. 2 taken along line 8-8.

FIG. 9 is a cross sectional view of the balance training device shown in FIG. 2 taken along line 9-9.

FIG. 10 is a top perspective view of a balance training device according to another embodiment of the design.

FIG. 11 is a bottom perspective view of the balance training device shown in FIG. 10.

FIG. 12 is a first side view of the balance training device shown in FIG. 10 (a second side view of the balance training device being an identical mirror image thereof).

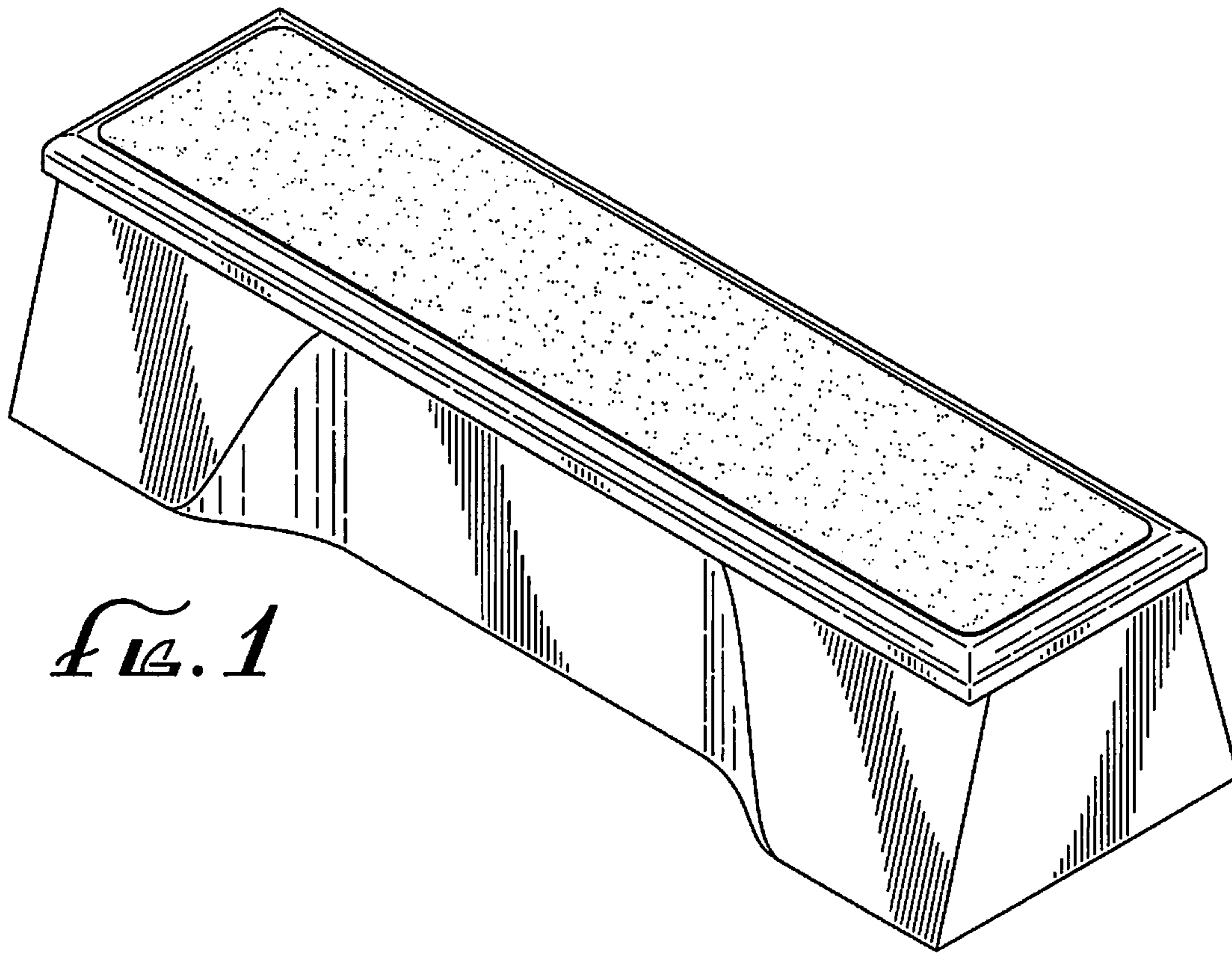
FIG. 13 is a first end view of the balance training device shown in FIG. 10 (a second end view of the balance training device being an identical mirror image thereof).

FIG. 14 is a top view of the balance training device shown in FIG. 10; and,

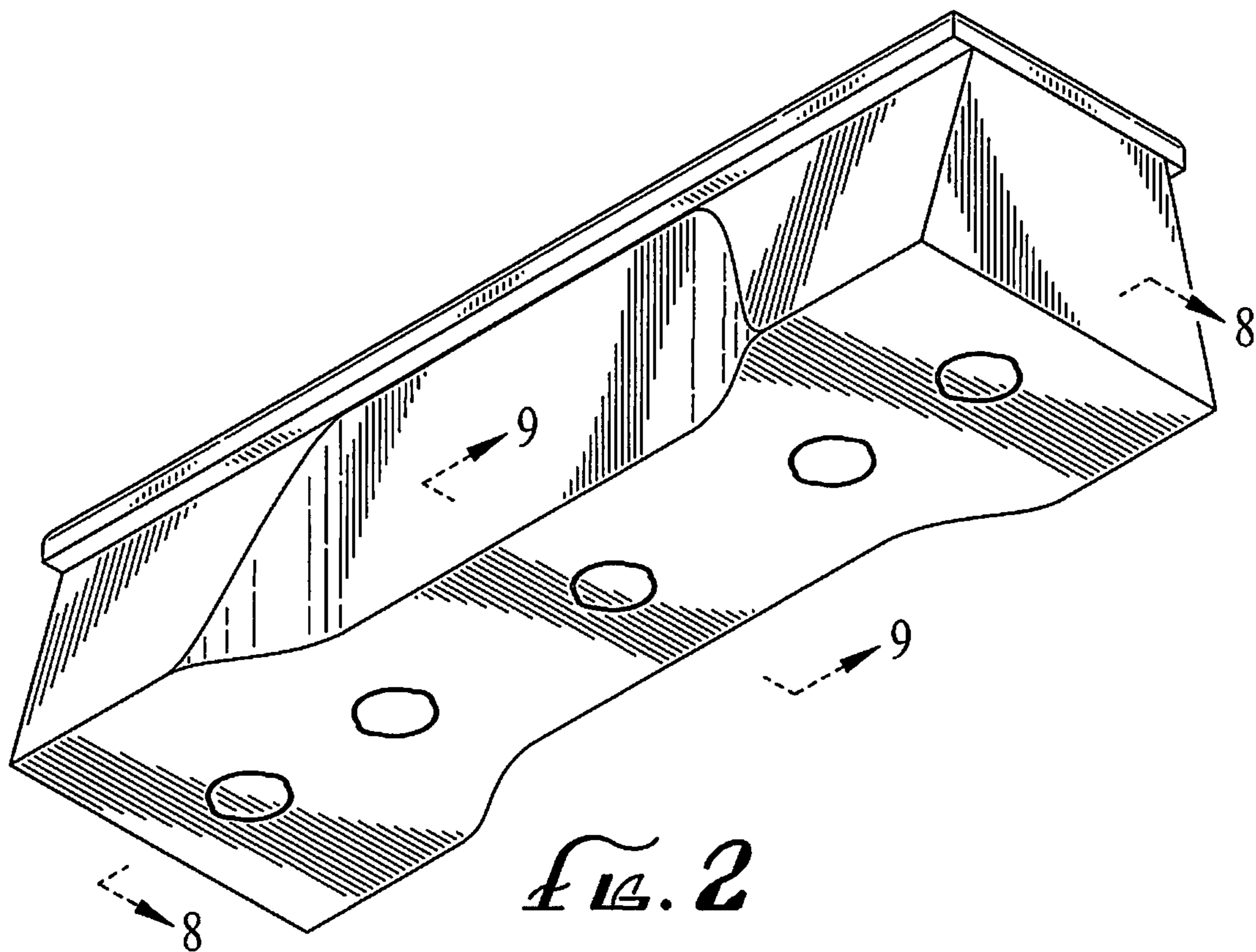
FIG. 15 is a bottom view of the balance training device shown in FIG. 10.

The broken line portions of the figure drawings are included to show portions of the article that form no part of the claimed design.

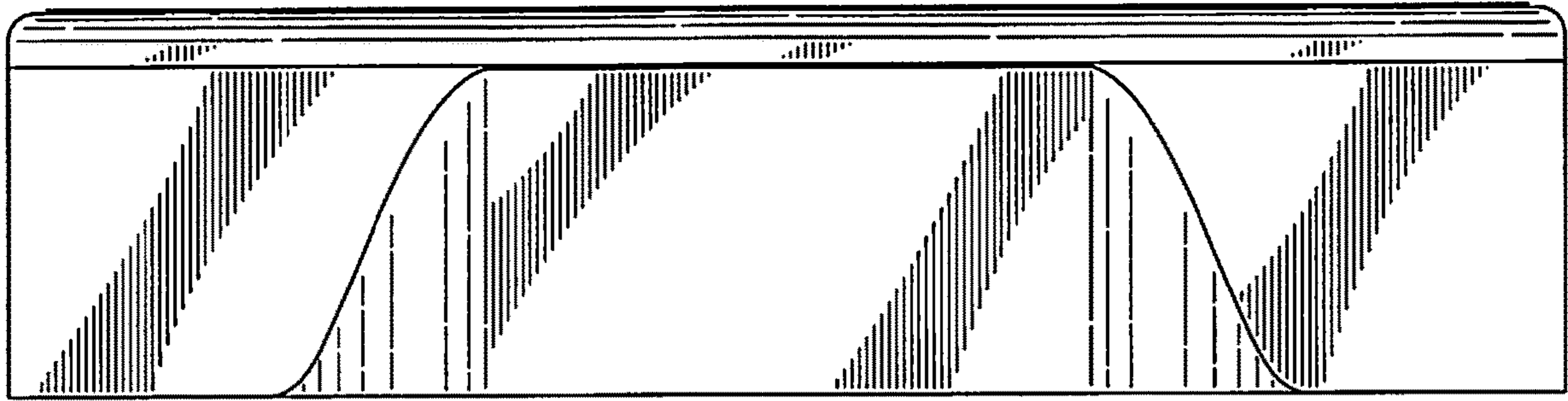
**1 Claim, 8 Drawing Sheets**



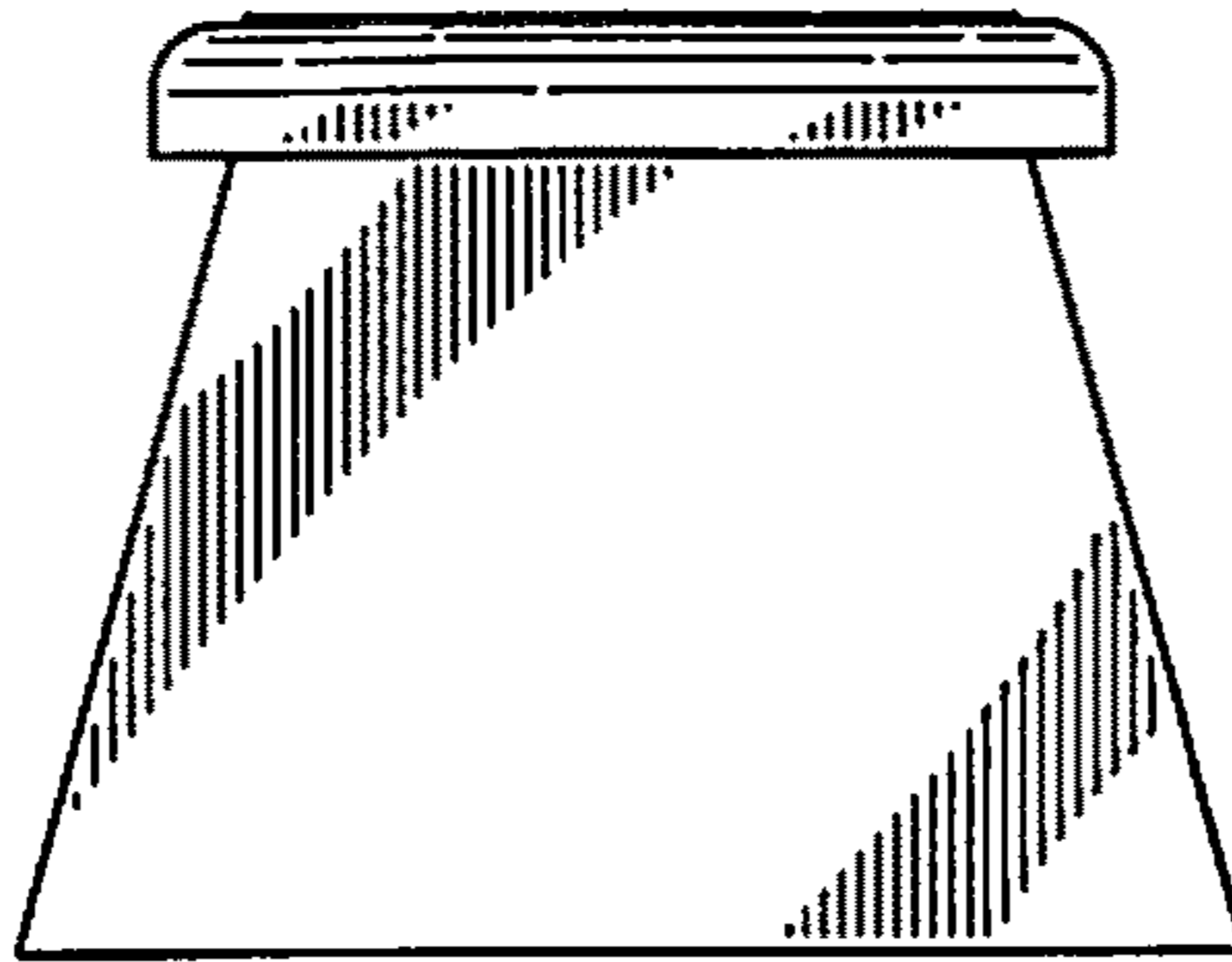
*FIG. 1*



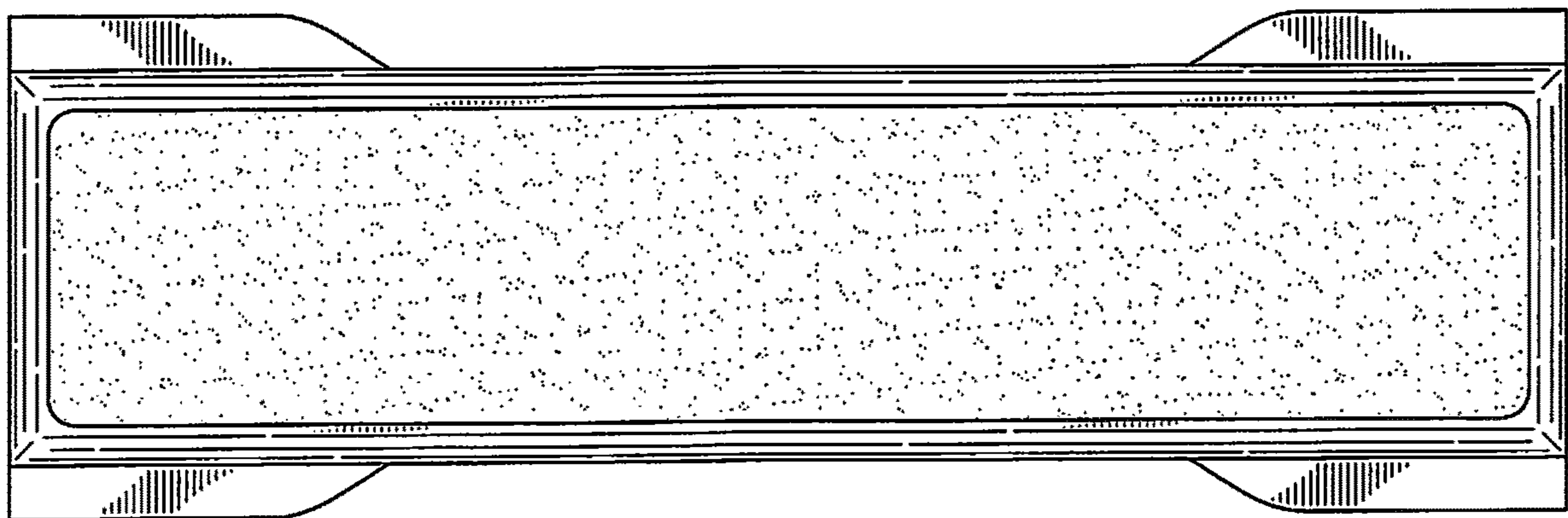
*FIG. 2*



*FIG. 3*



*FIG. 4*



*FIG. 5*

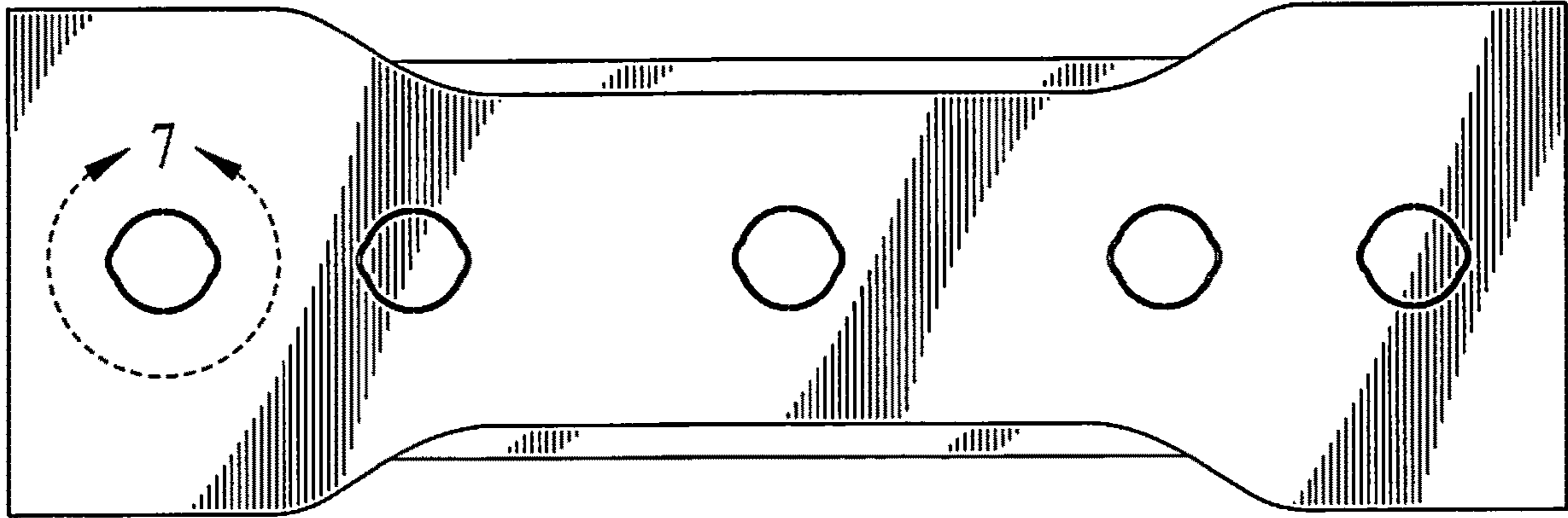


FIG. 6

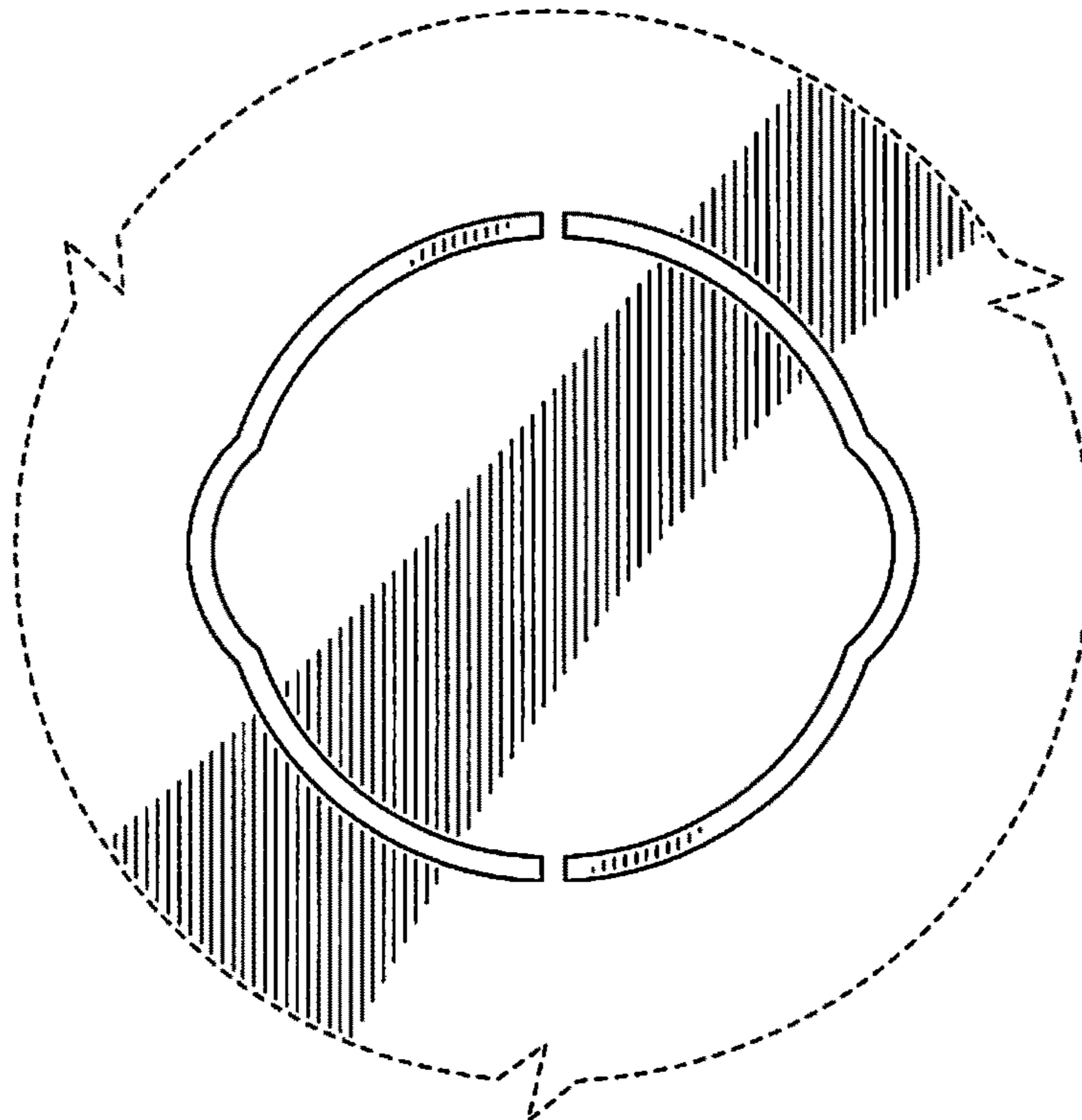


FIG. 7

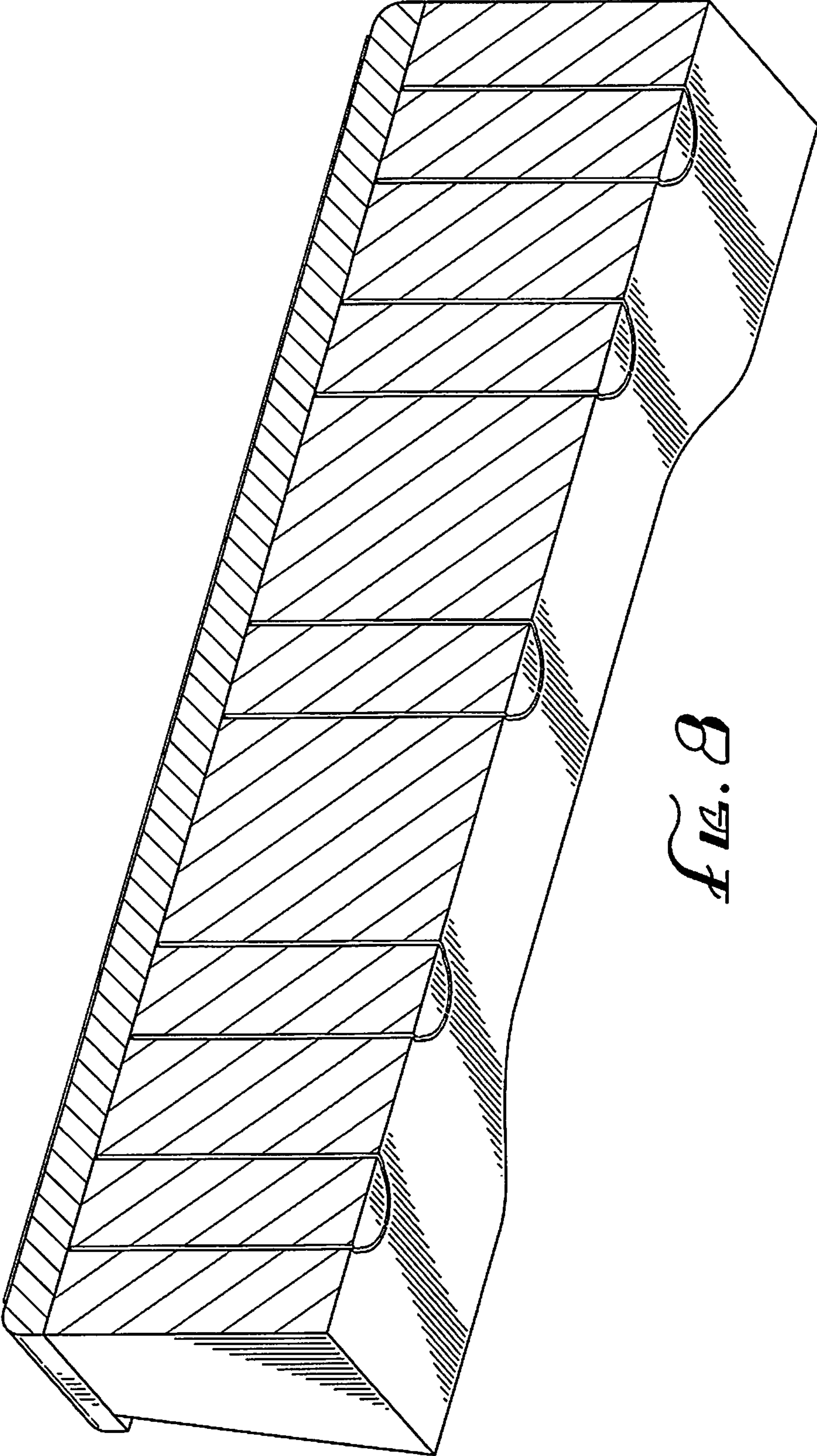
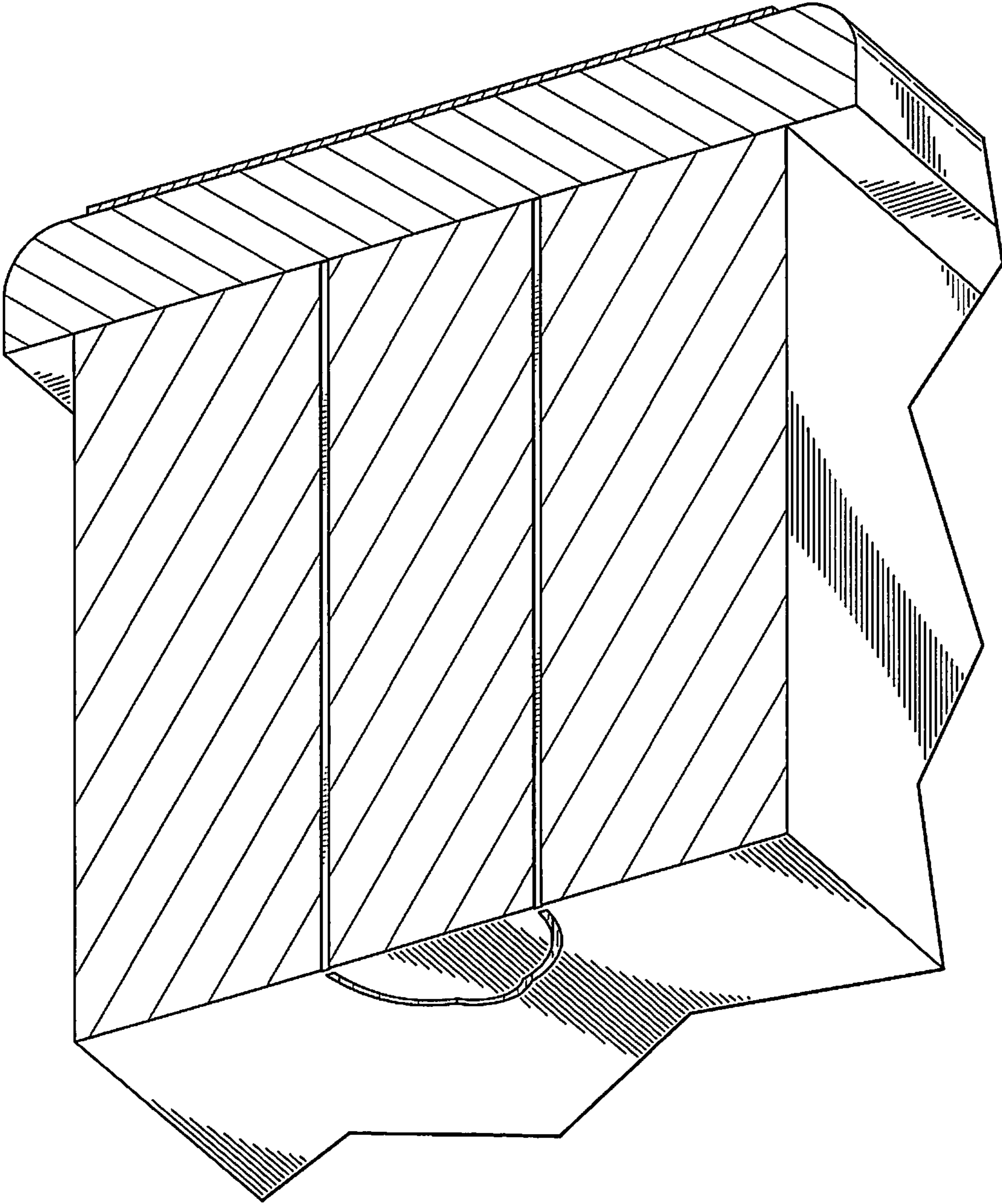
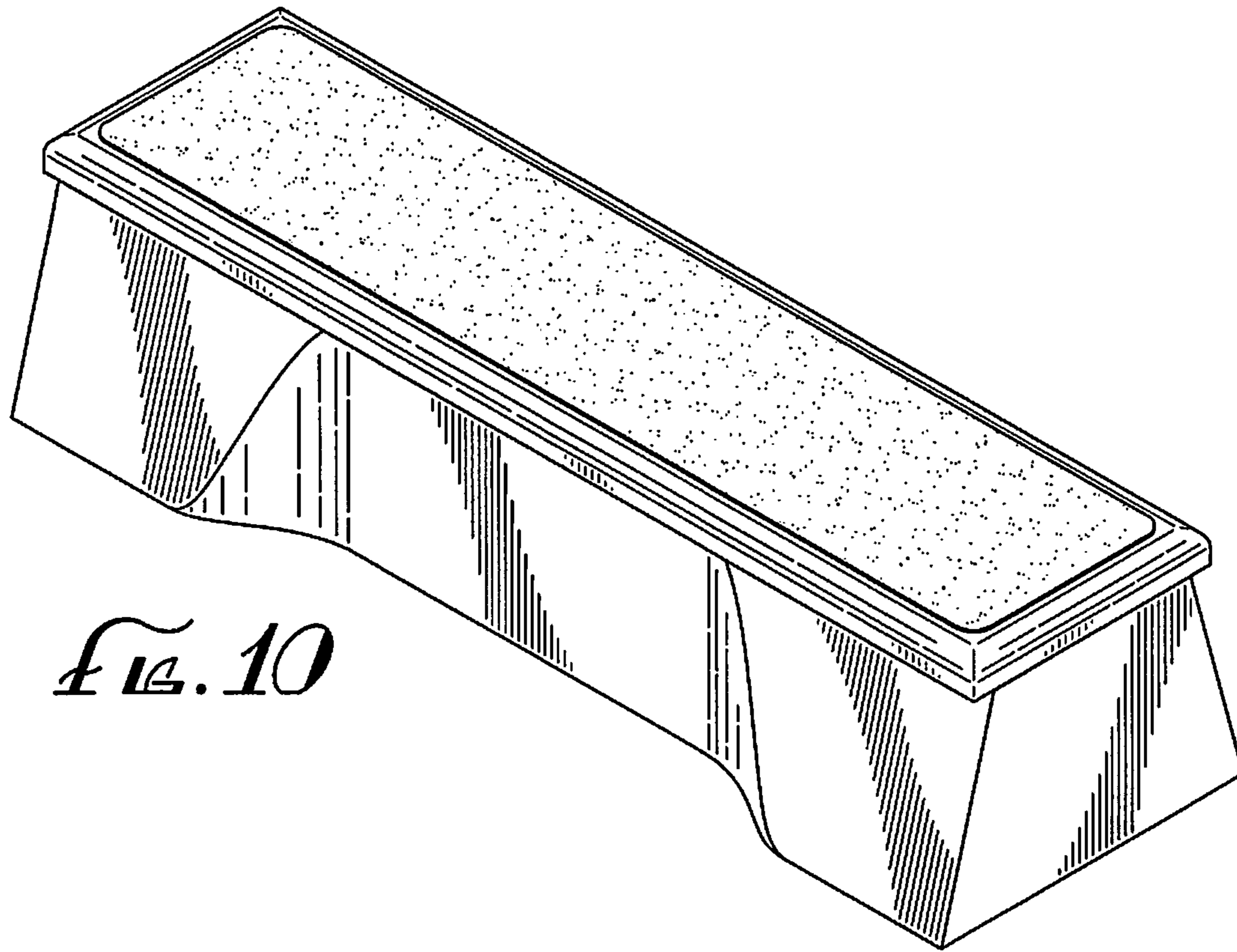


Fig. 8

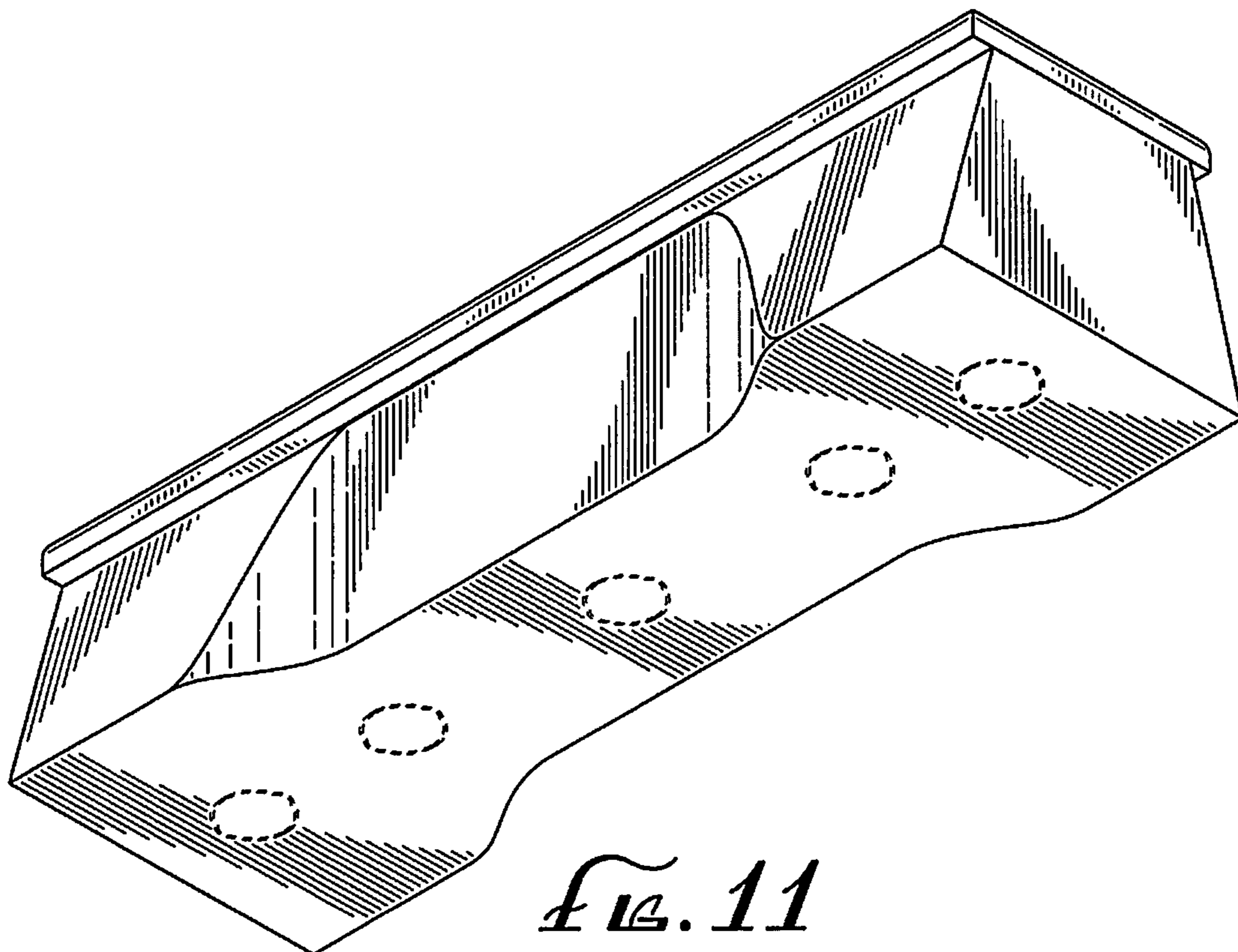


*Fig. 9*

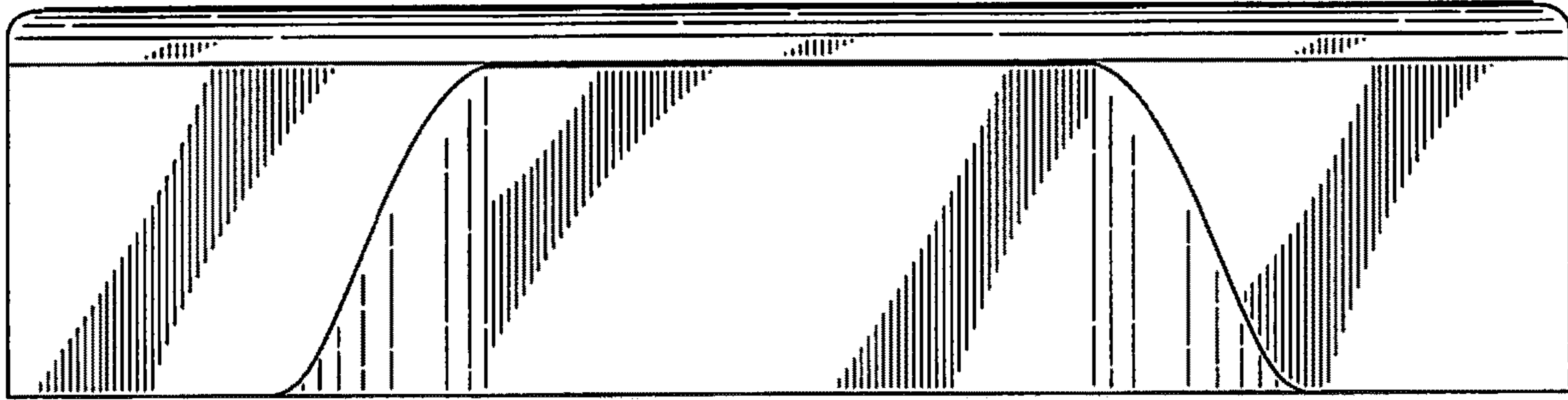




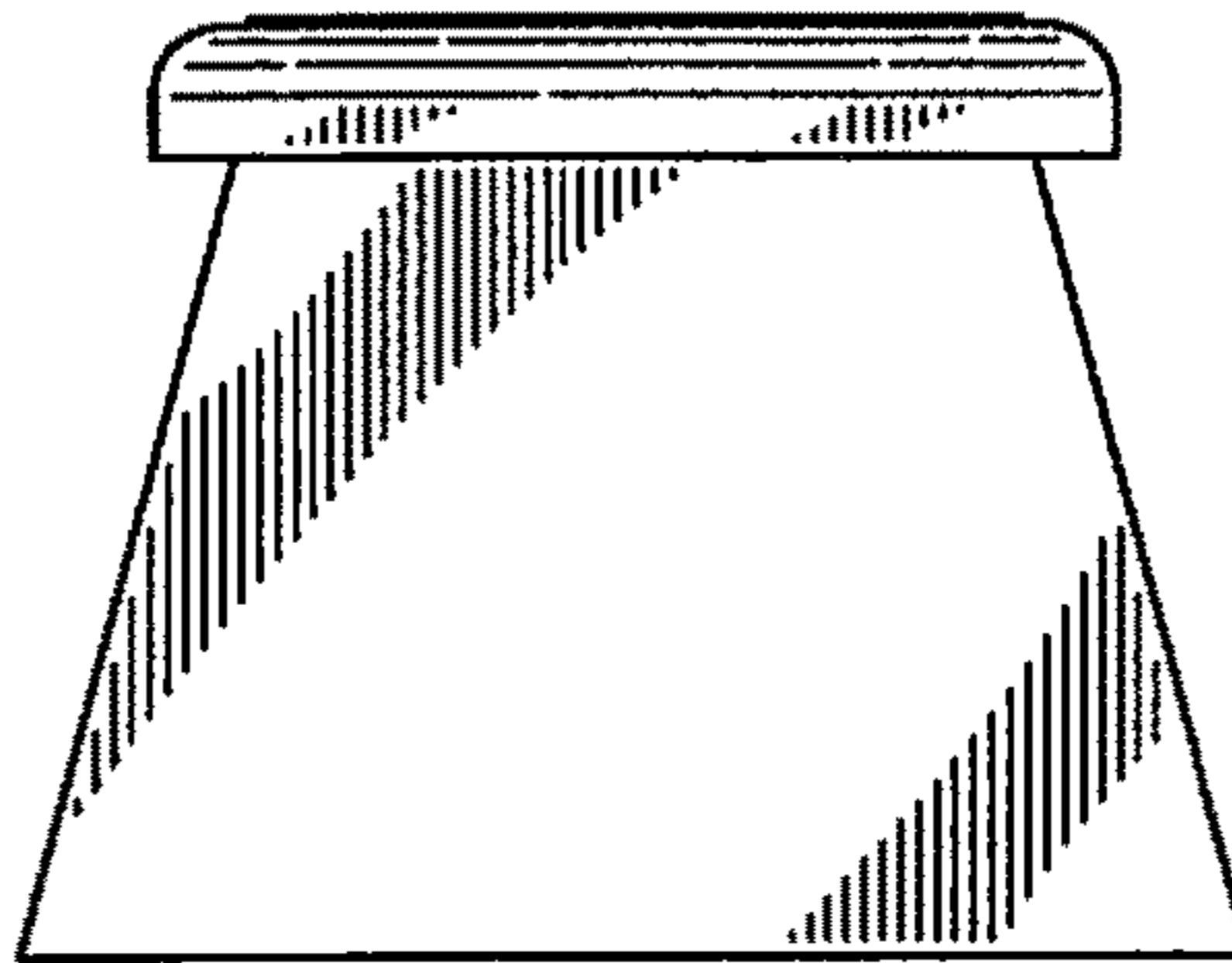
*Fig. 10*



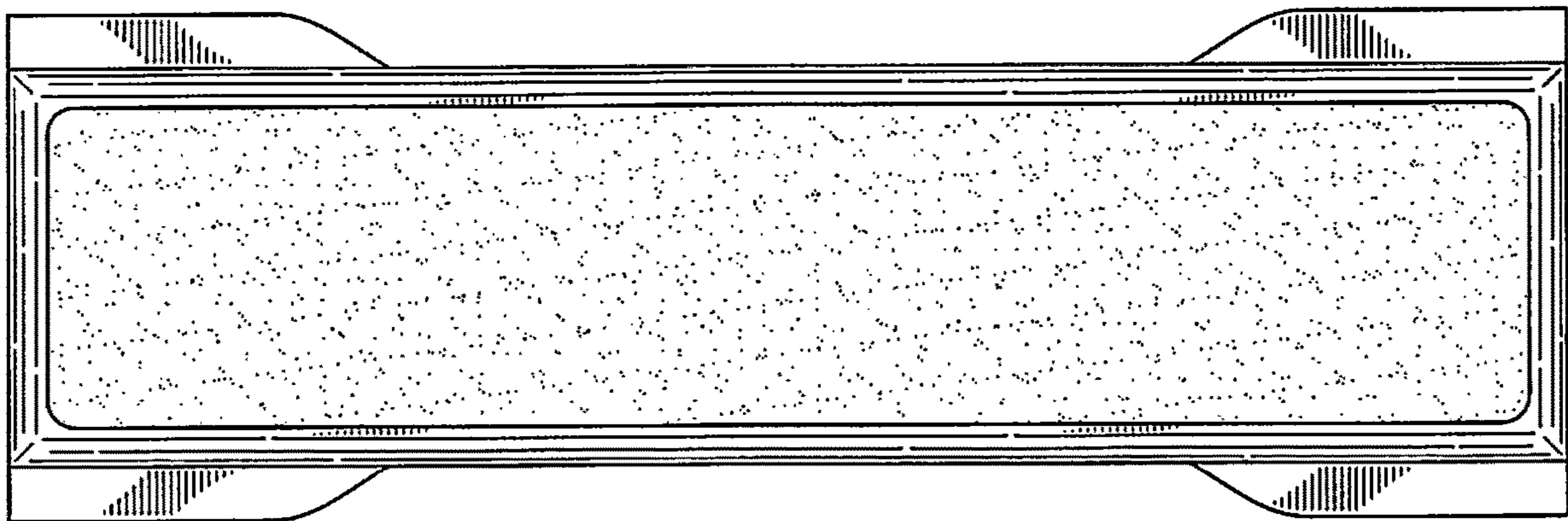
*Fig. 11*



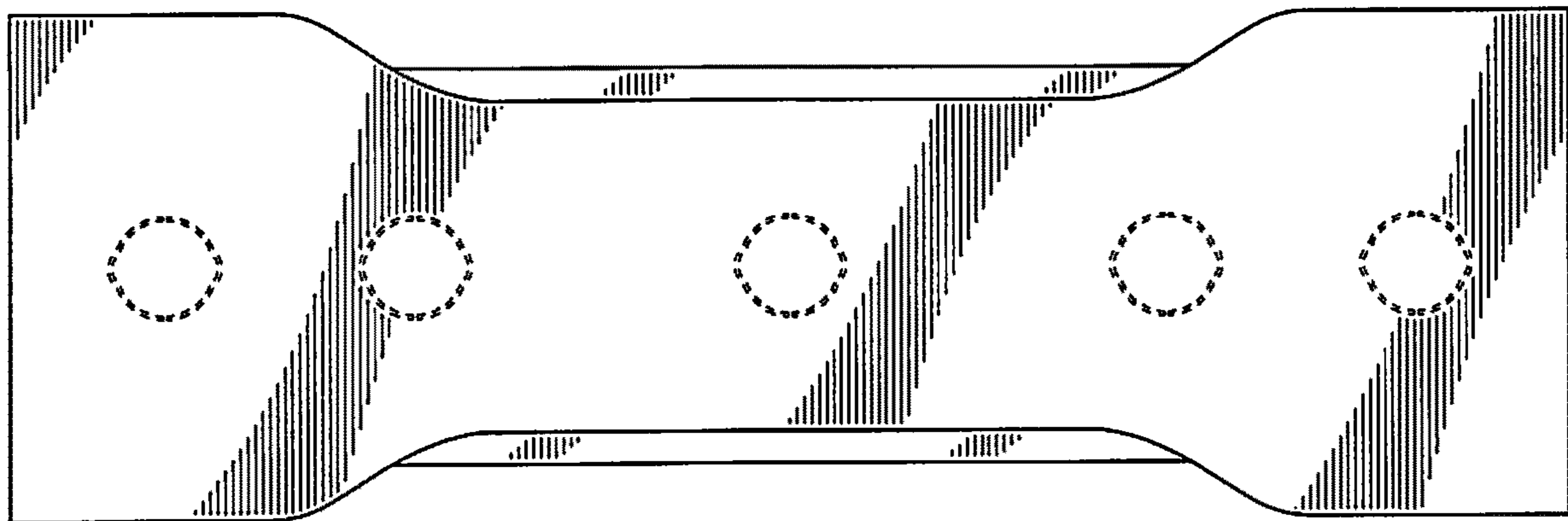
*FIG. 12*



*FIG. 13*



*FIG. 14*



*FIG. 15*