



US00D973153S

(12) **United States Design Patent**
Rainis et al.

(10) **Patent No.:** **US D973,153 S**

(45) **Date of Patent:** **** Dec. 20, 2022**

(54) **TREADMILL**

FOREIGN PATENT DOCUMENTS

- (71) Applicant: **Landice Inc.**, Randolph, NJ (US)
- (72) Inventors: **David Rainis**, Mendham, NJ (US);
Kevin Short, La Grange, IL (US); **Skye Li**, Hong Kong (CN)
- (73) Assignee: **Landice, Inc.**, Randolph, NJ (US)
- (**) Term: **15 Years**

CN 306951262 * 11/2021

* cited by examiner

Primary Examiner — Gino Colan

Assistant Examiner — Gregory G McLemore

(74) *Attorney, Agent, or Firm* — Mitchell J. Mehlman, Esq.

(21) Appl. No.: **29/781,918**

(57) **CLAIM**

(22) Filed: **May 3, 2021**

The ornamental design for a treadmill, as shown and described.

(51) **LOC (13) Cl.** **21-02**

(52) **U.S. Cl.**
USPC **D21/669**

(58) **Field of Classification Search**
USPC 482/54; D21/662, 668, 669
CPC ... A63B 22/0235; A63B 22/02; A63B 22/025;
A63B 22/0285; A63B 22/0242; A63B
22/0207; A63B 2220/20; A63B 23/04
See application file for complete search history.

DESCRIPTION

FIG. 1 is a perspective in accordance with the present invention;
 FIG. 2 is another perspective view thereof;
 FIG. 3 is a front view thereof;
 FIG. 4 is a back view thereof;
 FIG. 5 is a right side view thereof;
 FIG. 6 is a left side view thereof;
 FIG. 7 is a top view thereof;
 FIG. 8 is a bottom view thereof; and,
 FIG. 9 is a perspective view of the treadmill in a shipping, preassembly configuration.
 Broken lines immediately adjacent the shaded areas, if any, represent the bounds of the claimed design while all other broken lines are directed to environment and are for illustrative purposes only; broken lines, if any, form no part of the claimed design.

(56) **References Cited**

U.S. PATENT DOCUMENTS

D873,934 S *	1/2020	Mino	D21/669
2017/0056716 A1 *	3/2017	Cutler	A63B 22/0207
2017/0333751 A1 *	11/2017	Seol	A63B 24/0087
2018/0056119 A1 *	3/2018	Zhu	A63B 71/0622
2018/0250552 A1 *	9/2018	Liao	A63B 22/025
2018/0361194 A1 *	12/2018	Corbalis	A63B 22/0214
2020/0129837 A1 *	4/2020	Liao	A63B 24/0087
2021/0069540 A1 *	3/2021	Yoo	A63B 21/154
2021/0138299 A1 *	5/2021	Li	A63B 22/0023
2022/0134177 A1 *	5/2022	Hsu	A63B 22/0235
				482/54

1 Claim, 9 Drawing Sheets

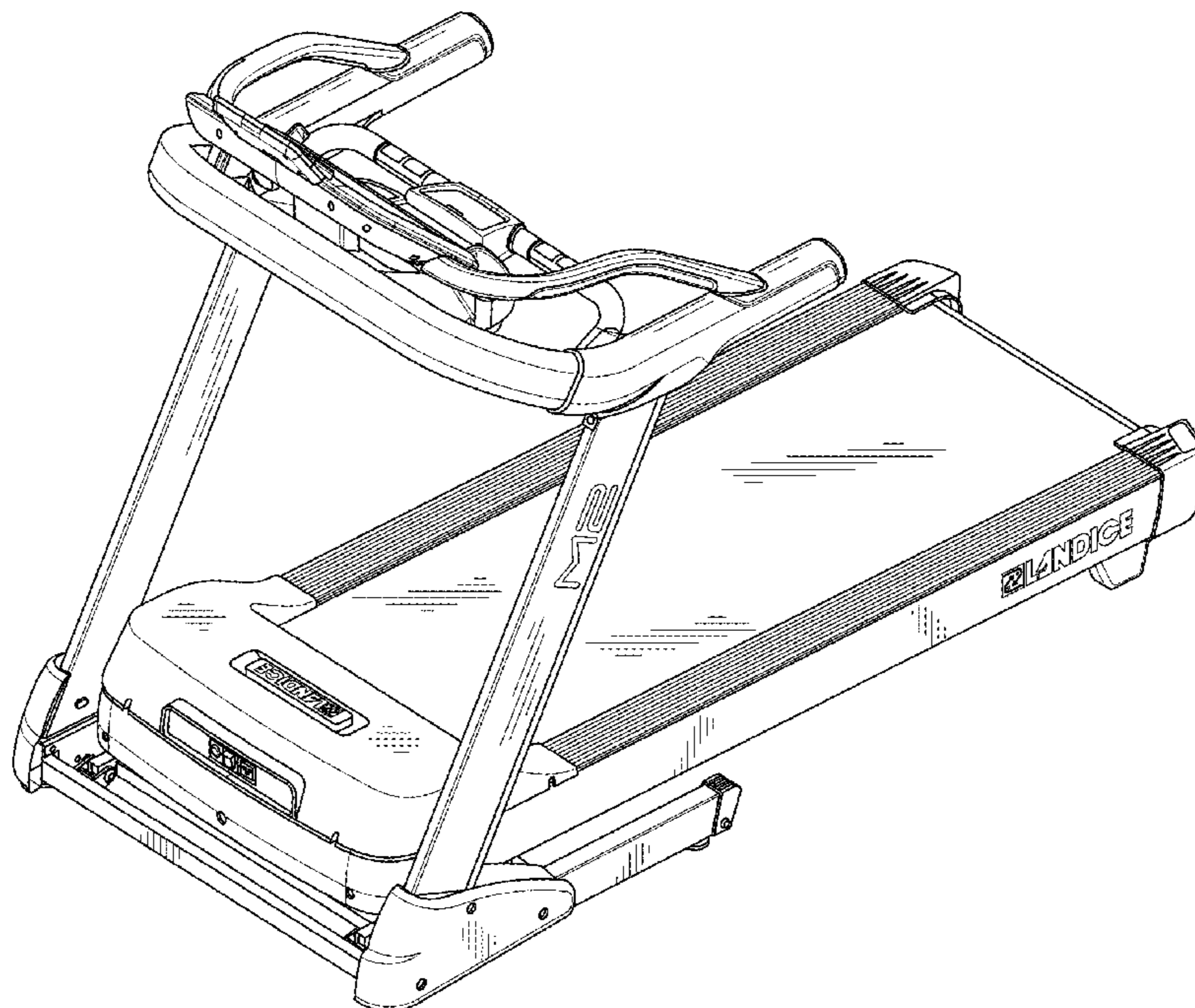


FIG. 1

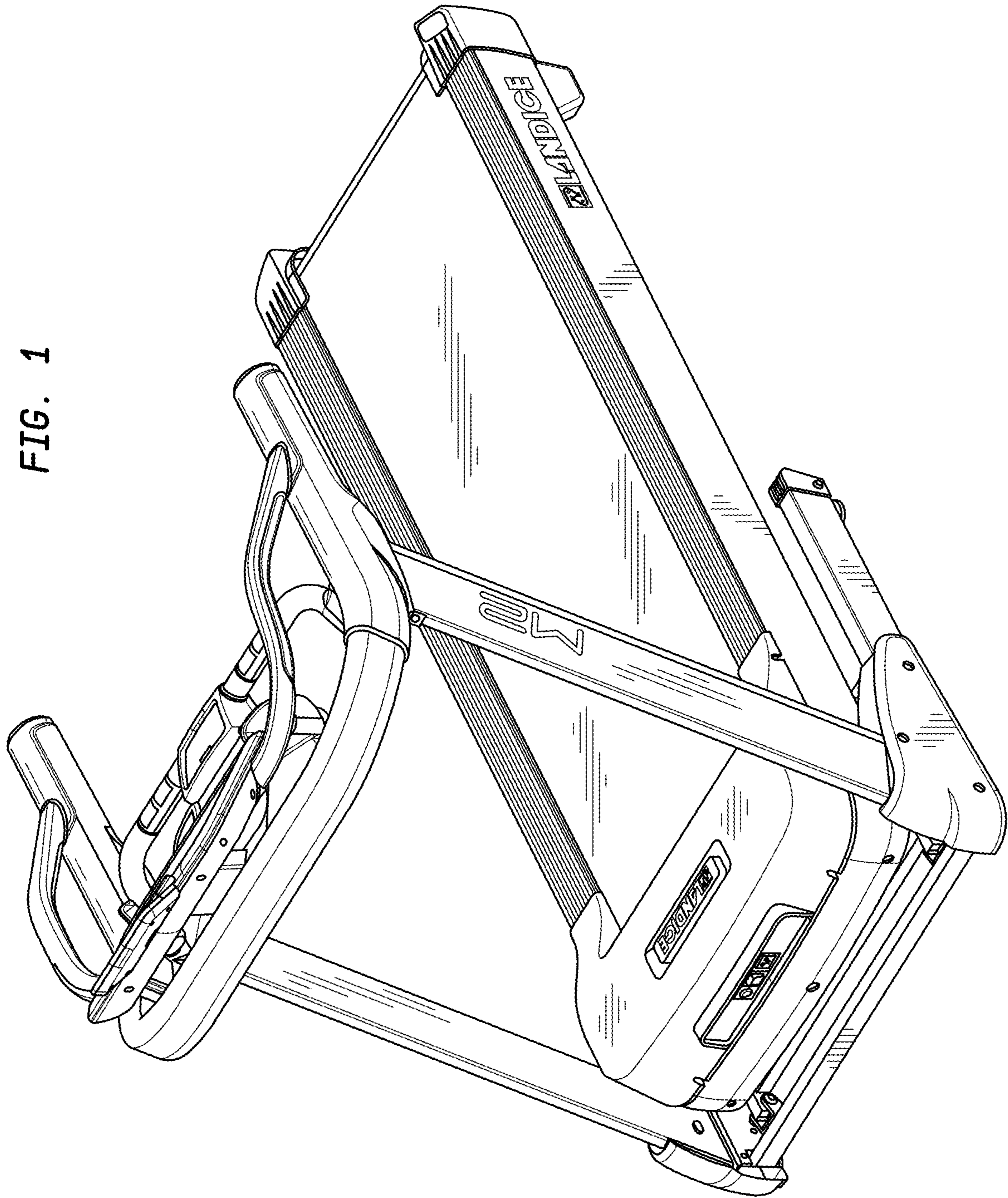


FIG. 2

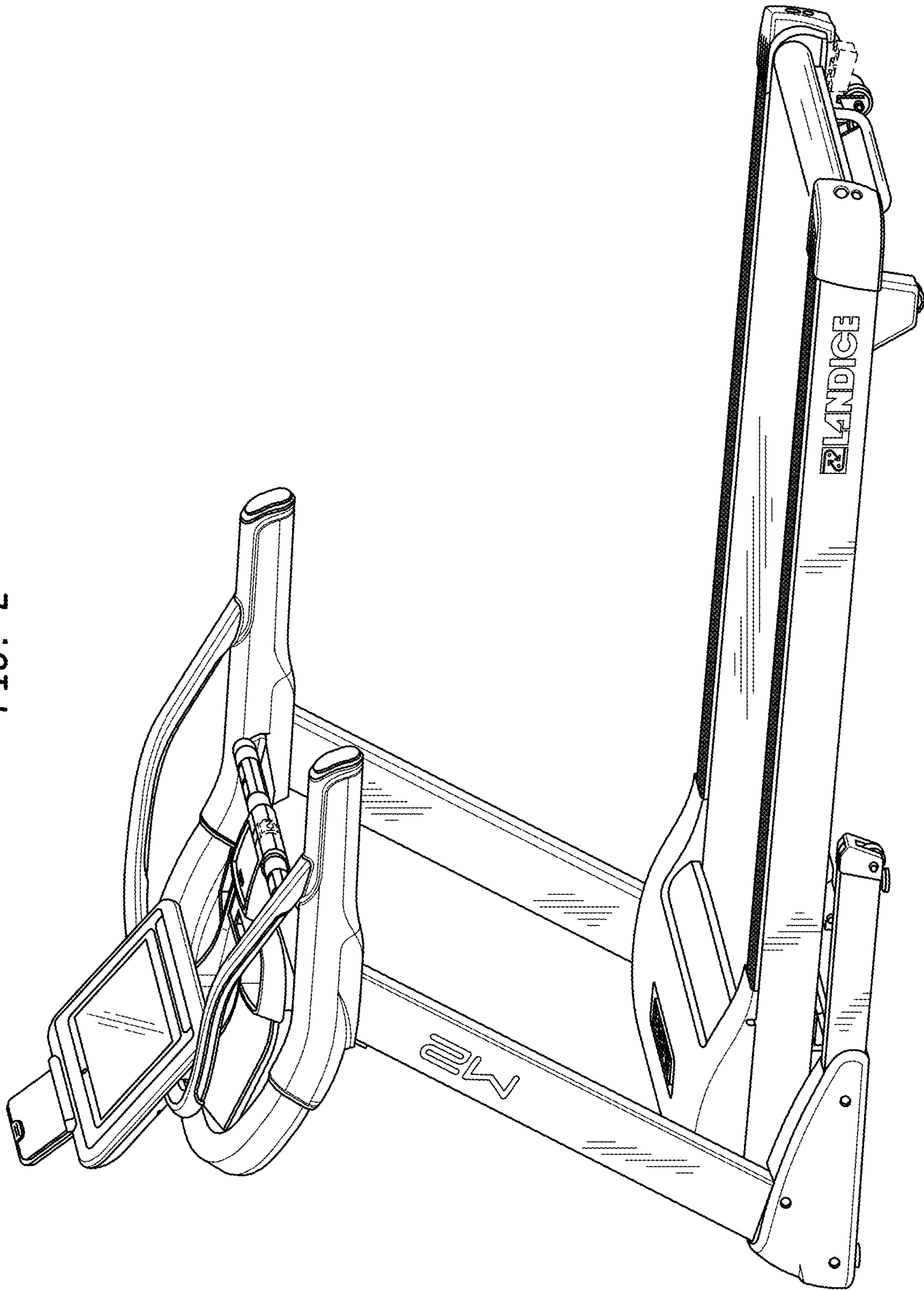


FIG. 3

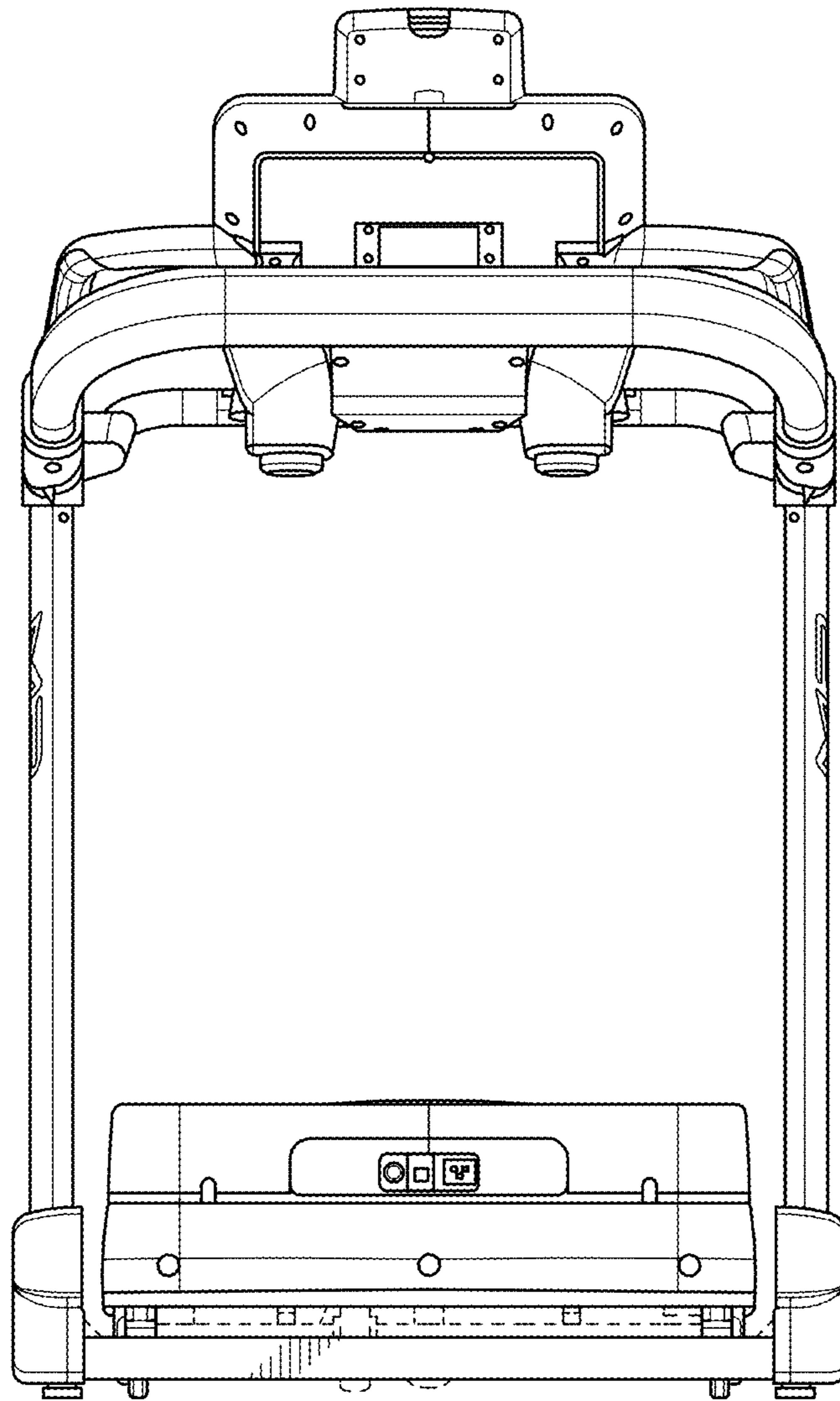


FIG. 4

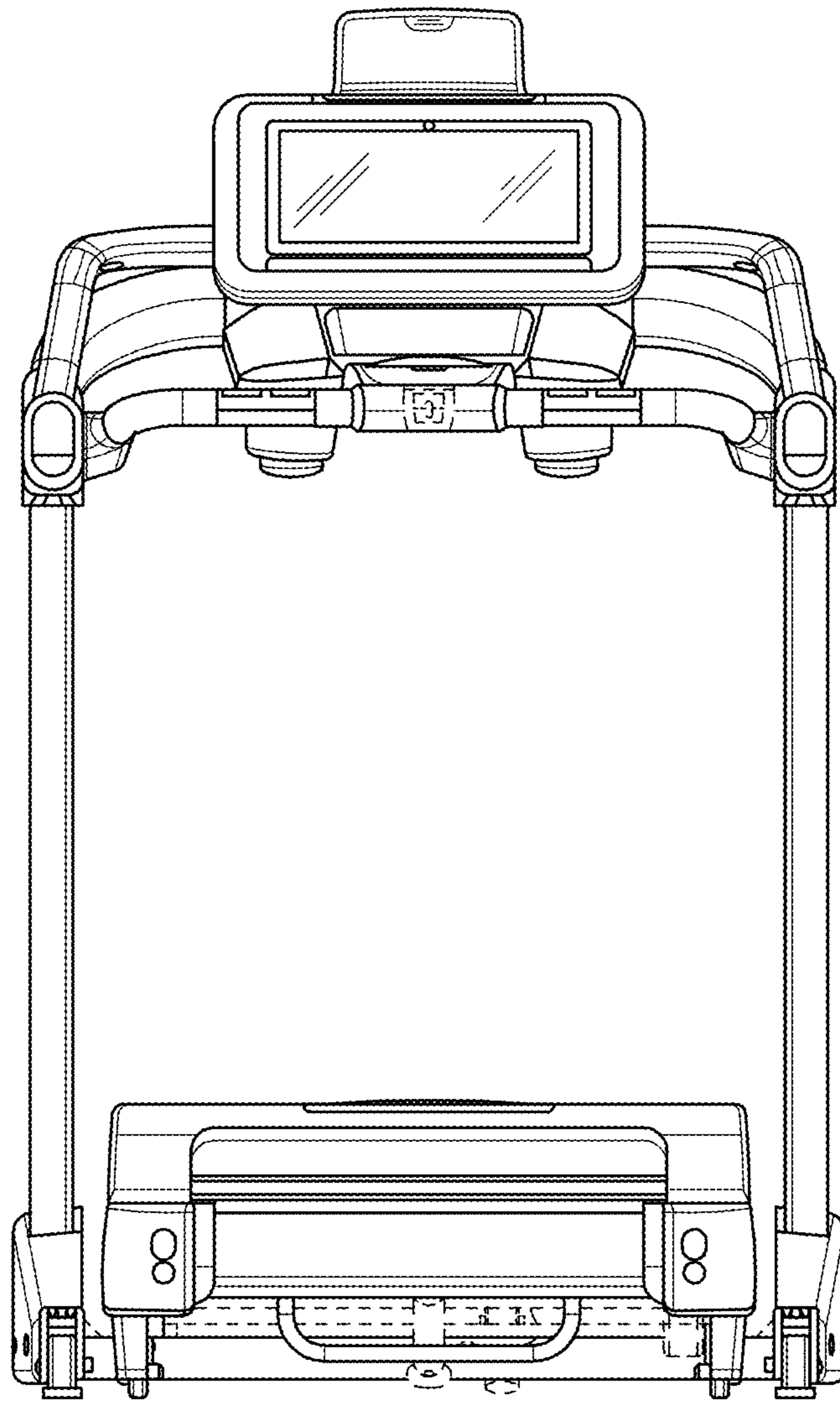


FIG. 5

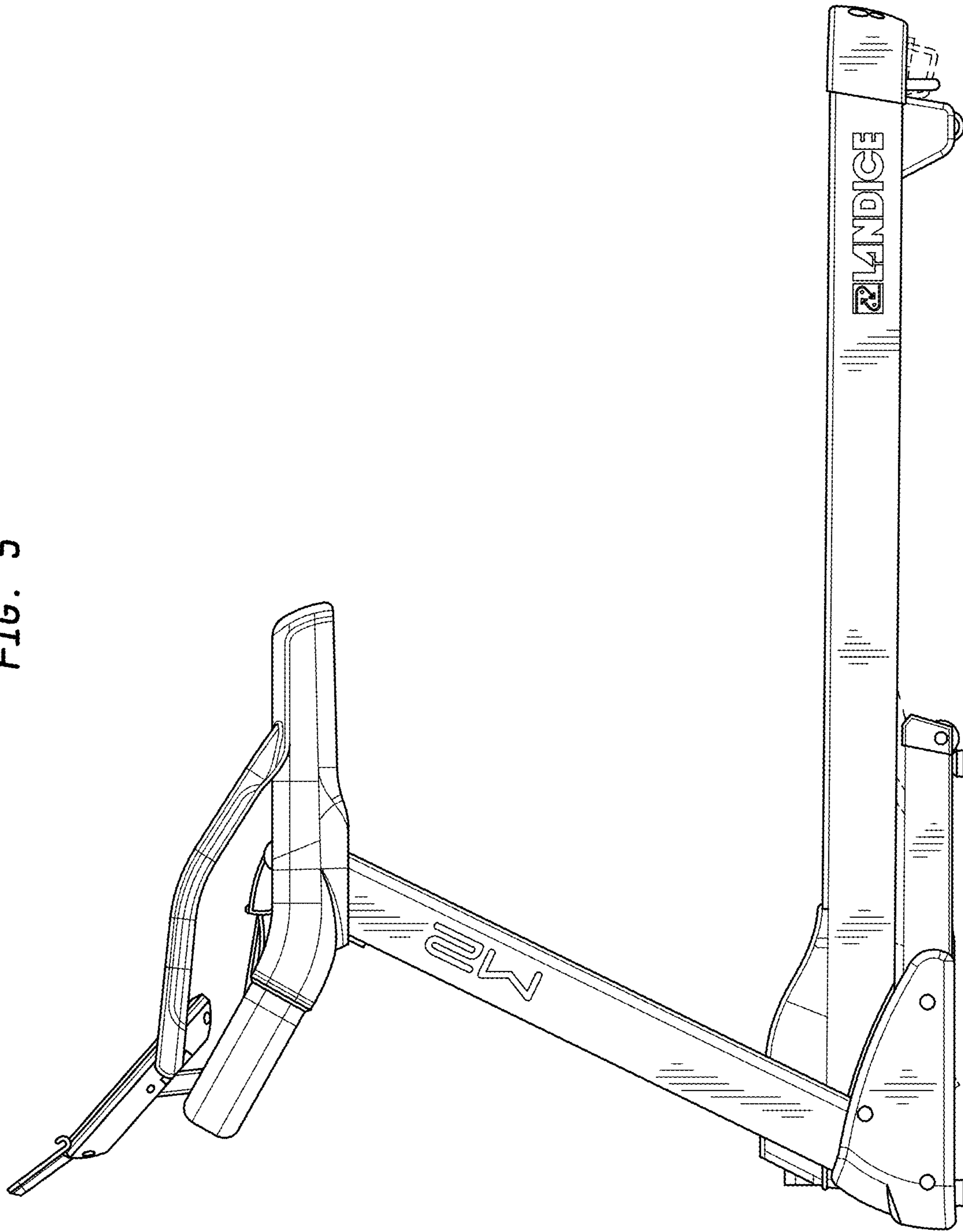


FIG. 6

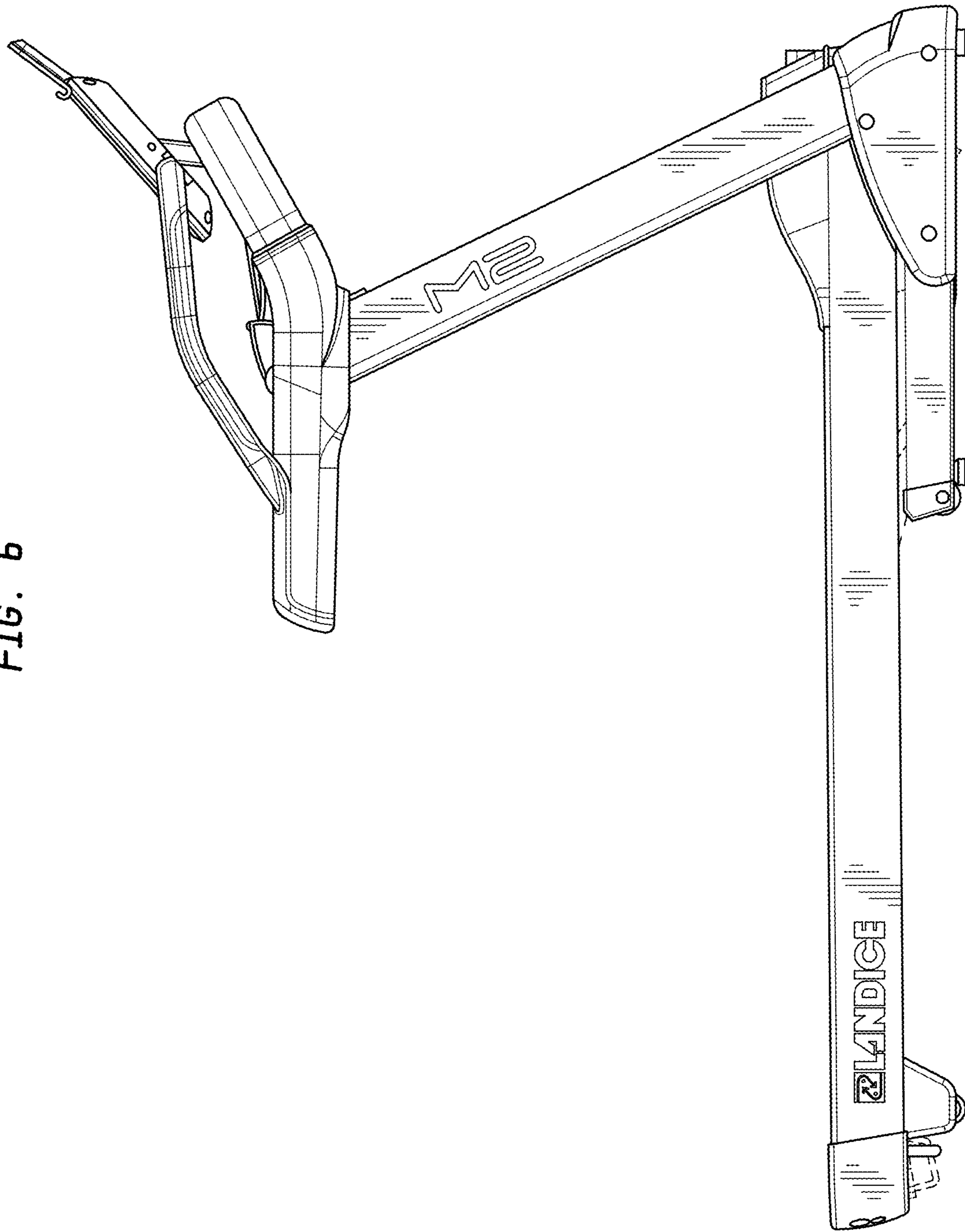


FIG. 7

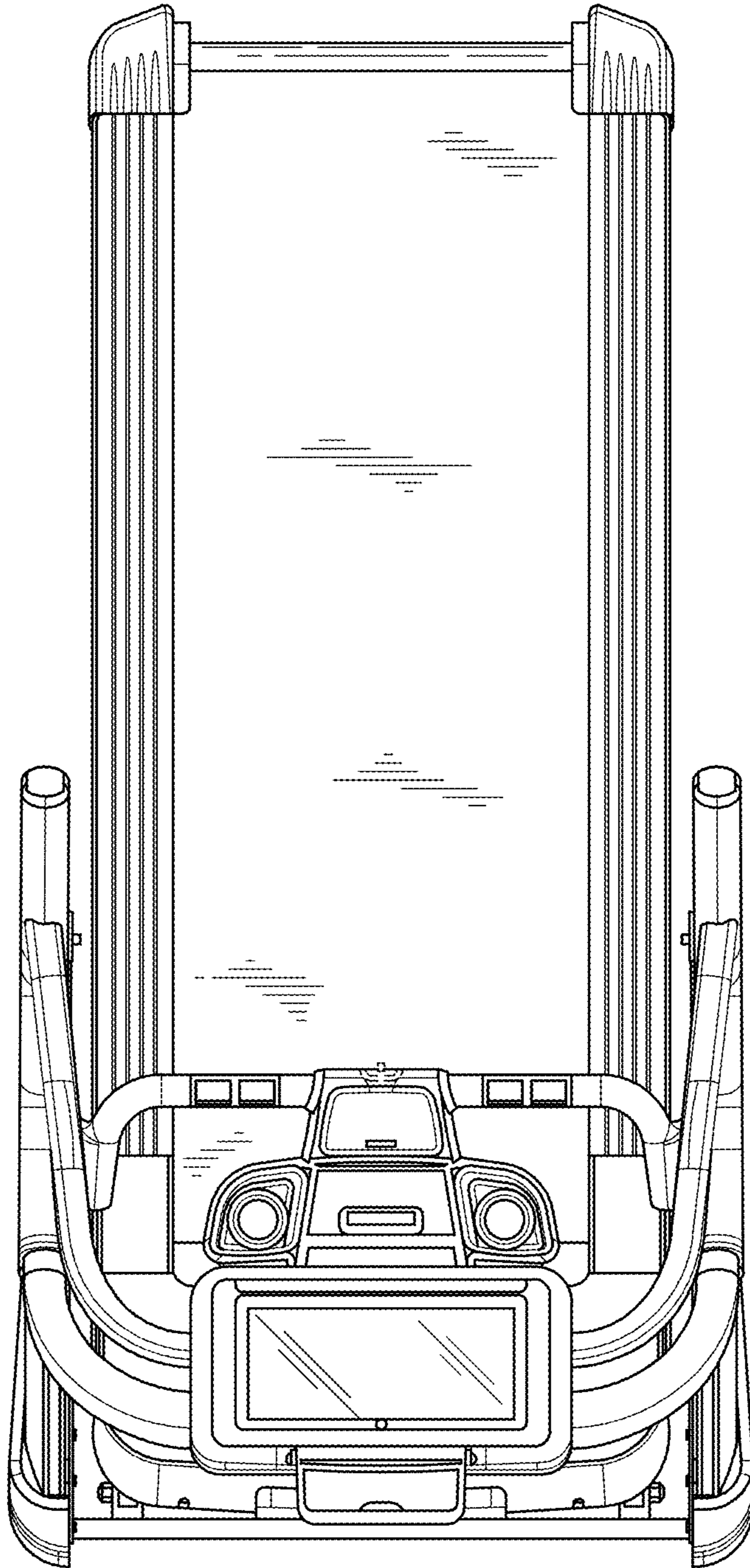


FIG. 8

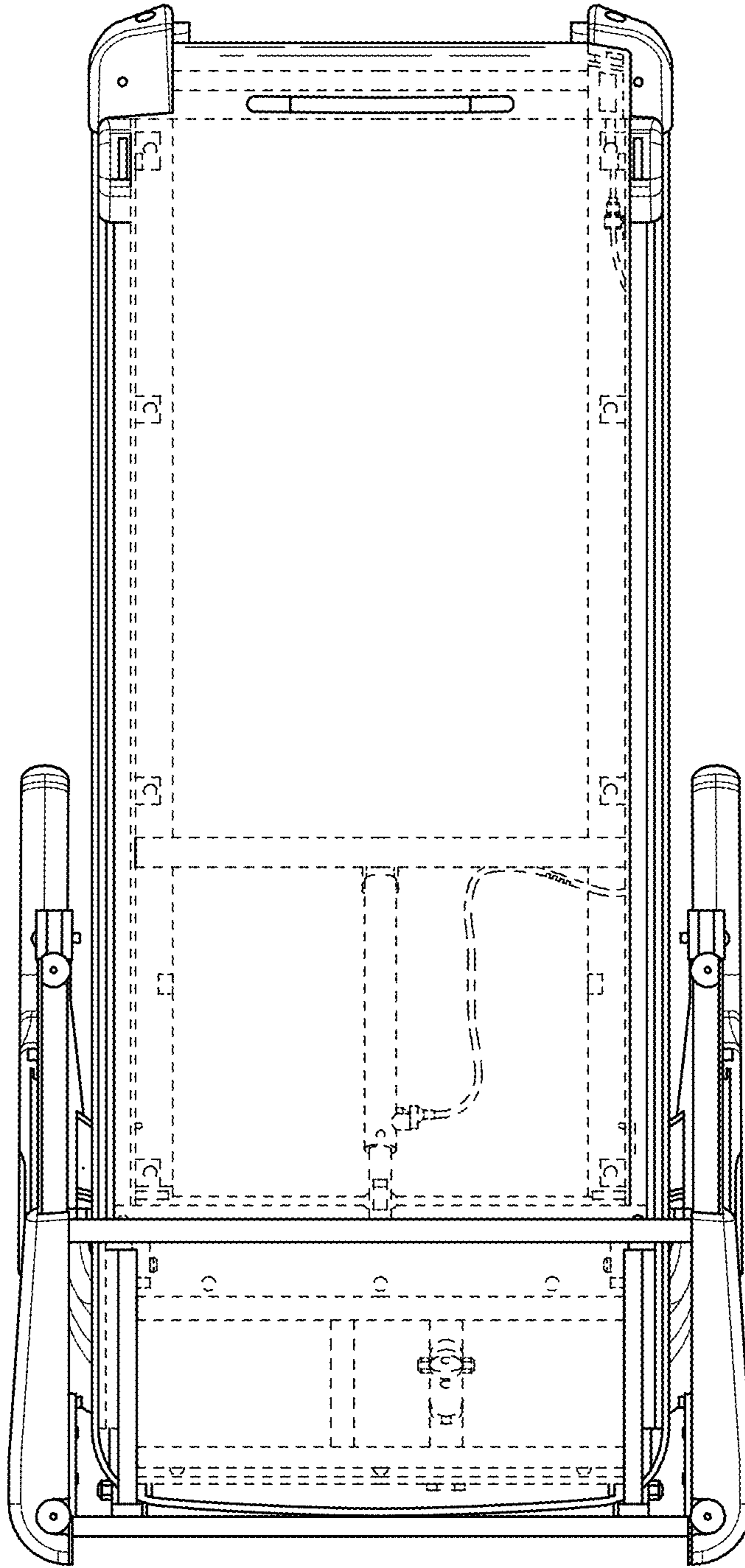


FIG. 9

