



US00D973150S

(12) **United States Design Patent** (10) **Patent No.:** **US D973,150 S**
Liao (45) **Date of Patent:** **** Dec. 20, 2022**

(54) **REMOTE CONTROL VEHICLE**

FOREIGN PATENT DOCUMENTS

(71) Applicant: **Merchsource, LLC**, Irvine, CA (US)

CN 306142776 * 10/2020

(72) Inventor: **Denny Liao**, Irvine, CA (US)

CN 306664134 * 7/2021

(73) Assignee: **MerchSource, LLC**, Irvine, CA (US)

CN 306664158 * 7/2021

(Continued)

(**) Term: **15 Years**

OTHER PUBLICATIONS

(21) Appl. No.: **29/733,246**

PlayForever Verve Malibu, available on YouTube.com, posted Nov. 30, 2020, [site visited Dec. 27, 2021], URL: <https://www.youtube.com/watch?v=1S-4dGvB4D8> (Year: 2020).*

(22) Filed: **Apr. 30, 2020**

(Continued)

(51) **LOC (13) Cl.** **21-01**

(52) **U.S. Cl.**

USPC **D21/550**

(58) **Field of Classification Search**

USPC D21/533, 548, 549, 550, 551, 552, 424,
D21/433, 435; D12/88, 91

CPC B60Y 2200/114; A63H 17/00; A63H
17/045; A63H 17/02; A63H 17/004;
A63H 17/05; A63H 33/003

See application file for complete search history.

Primary Examiner — Dana K Weiland

Assistant Examiner — Emily Anna Saunders

(74) *Attorney, Agent, or Firm* — Avyno Law P.C.

(57) **CLAIM**

I claim the ornamental design for a remote control vehicle, as shown and described.

DESCRIPTION

FIG. 1 is a front perspective view of a remote control vehicle.

FIG. 2 is a side elevation view of the left side of the remote control vehicle of FIG. 1.

FIG. 3 is a side elevation view of the right side of the remote control vehicle of FIG. 1.

FIG. 4 is a front elevation view of the remote control vehicle of FIG. 1.

FIG. 5 is a rear elevation view of the remote control vehicle of FIG. 1.

FIG. 6 is a top plan view of the remote control vehicle of FIG. 1; and,

FIG. 7 is a bottom plan view of the remote control vehicle of FIG. 1.

In the drawings, the broken lines depict portions of the remote control vehicle and its driver that form no part of the claimed design.

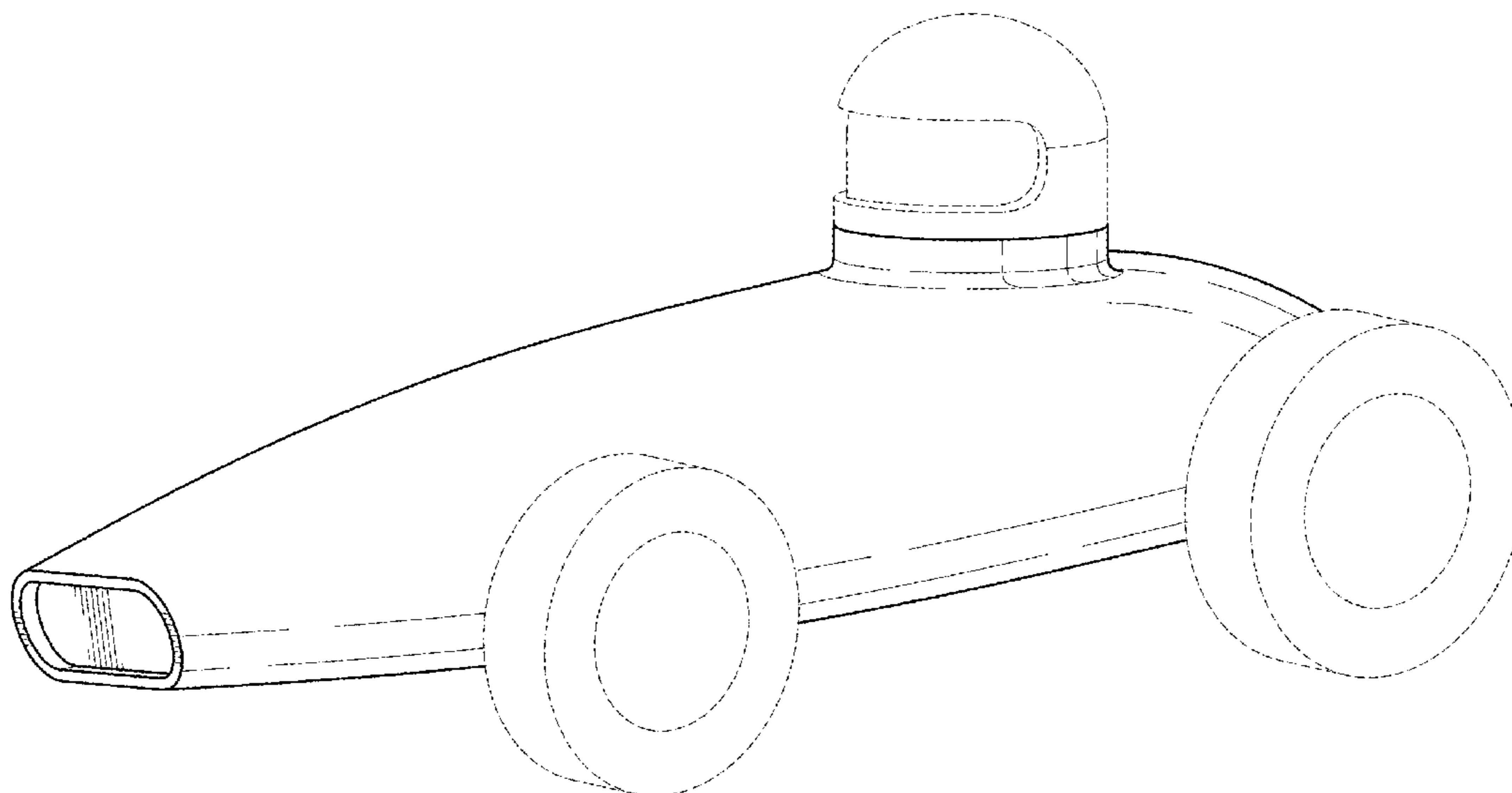
(56) **References Cited**

U.S. PATENT DOCUMENTS

D46,327 S *	8/1914	Stephens	D12/91
D145,737 S *	10/1946	Kuntz	D21/550
D147,039 S *	7/1947	Frazier	D21/550
3,190,034 A *	6/1965	Ryan	A63H 17/34
				446/414
D203,255 S *	12/1965	Ryan	D12/88
D204,068 S *	3/1966	Bergman	D21/550
3,238,665 A *	3/1966	Doe	A63H 17/25
				446/272
D217,874 S *	6/1970	French	D21/763
D218,696 S *	9/1970	Auer	D21/433
D219,160 S *	11/1970	Chapman	D21/550
D219,525 S *	12/1970	Tauranac	D21/550
D221,165 S *	7/1971	Broadley	D21/550
D256,703 S *	9/1980	Munn	D21/550

(Continued)

1 Claim, 6 Drawing Sheets



(56)

References Cited

U.S. PATENT DOCUMENTS

D266,343	S	*	9/1982	Hilko	D21/550
D272,837	S	*	2/1984	Appel	D21/427
D303,408	S	*	9/1989	Wallace	D21/550
D328,110	S	*	7/1992	Barker	D21/550
D345,771	S	*	4/1994	Angiolella	D21/550
D577,778	S	*	9/2008	Fink	D21/550
D620,539	S	*	7/2010	Badanjo	D21/551
D771,201	S	*	11/2016	Tompkin	D21/550
D825,685	S	*	8/2018	Tompkin	D21/550
D868,905	S	*	12/2019	Tompkin	D21/550
D888,839	S	*	6/2020	Herlitz	D21/433
D931,382	S	*	9/2021	Chen	D21/533
D941,933	S	*	1/2022	Li	D21/549

FOREIGN PATENT DOCUMENTS

GB	2027320	*	3/1993
GB	6107057	*	11/2020

OTHER PUBLICATIONS

GizmoVine Remote Controlled Car, available on Amazon.co.uk, release date Jan. 22, 2021, [site visited Dec. 27, 2021], URL: <https://www.amazon.co.uk/dp/B08TSYZJ59/> (Year: 2021).*

Toy Car 3D Model, available on turbosquid.com, product date Sep. 15, 2021, [site visited Dec. 27, 2021], URL: <https://www.turbosquid.com/3d-models/toy-car-3d-model-1787376> (Year: 2021).*

Vilac 2247R Large Race Car, available on Amazon.co.uk, release date Aug. 1, 2018, [site visited Dec. 27, 2021], URL: <https://www.amazon.co.uk/Vilac-Vilac2247R-Red-Race-Large/dp/B005491J20/> (Year: 2018).*

Brio Remote Control Race Car, available on BarnesandNoble.com, publication date Aug. 1, 2020, [site visited Dec. 27, 2021], URL: <https://www.barnesandnoble.com/w/brio-remote-control-race-car-briio/1140034801> (Year: 2020).*

Brio 30388 RC Race Car, available on Amazon.com, release date Nov. 4, 2020, [site visited Dec. 27, 2021], URL: <https://www.amazon.com/Brio-Infant-Toddler-Race-Car/dp/B07KM9VPKW> (Year: 2020).*

PlayForever Malibu Benjamin, available on playforever.co.uk, Wayback Machine date Apr. 6, 2019, [site visited Dec. 28, 2021], URL: https://web.archive.org/web/2019*/https://playforever.co.uk/collections/malibu/products/vm202-malibu (Year: 2019).*

Fisher-Price My Easy RC Vehicle, available on Amazon.com, oldest customer review Jun. 2, 2015, [site visited Dec. 27, 2021], URL: <https://www.amazon.com/dp/B00IWPJWMC> (Year: 2021).*

* cited by examiner

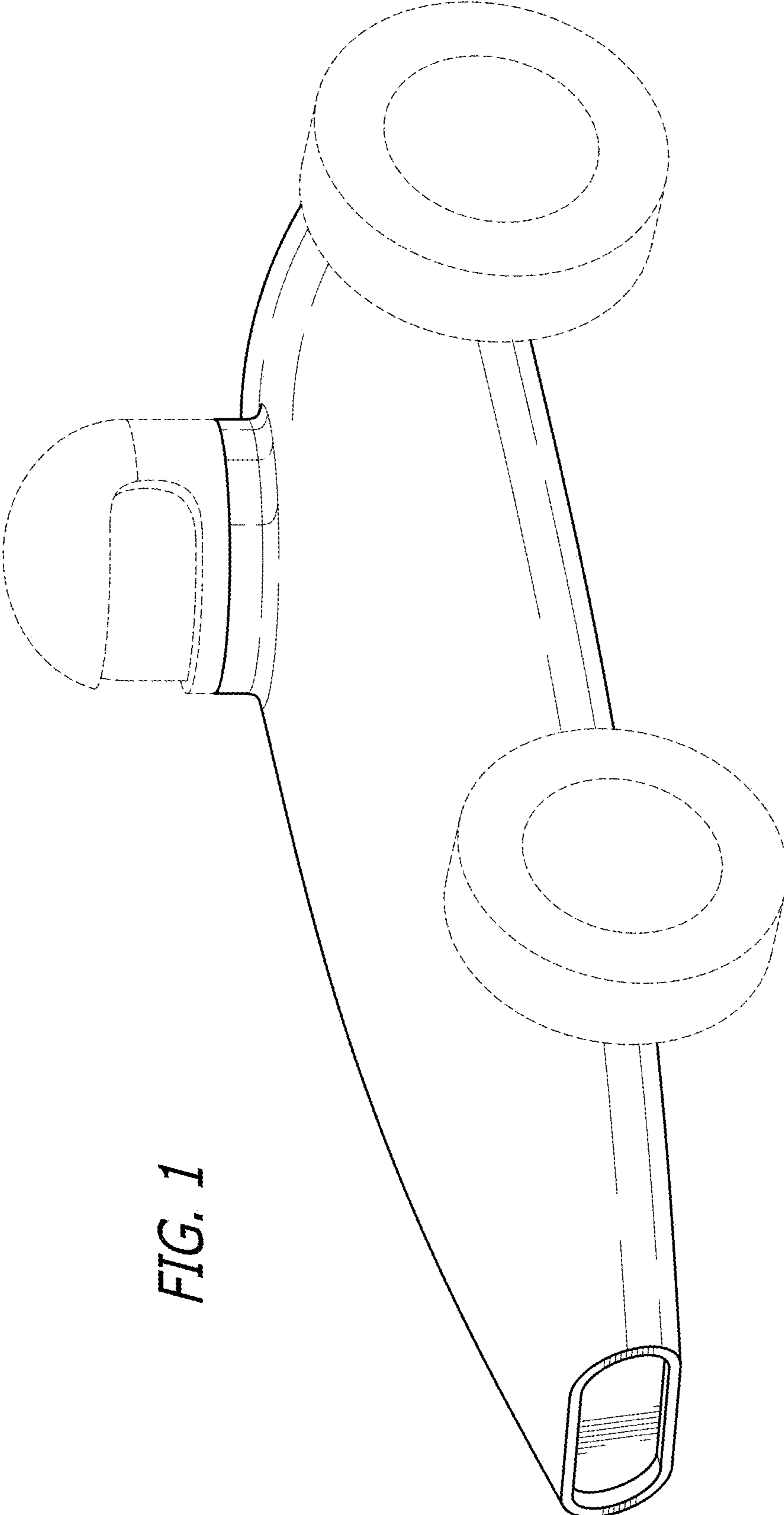


FIG. 1

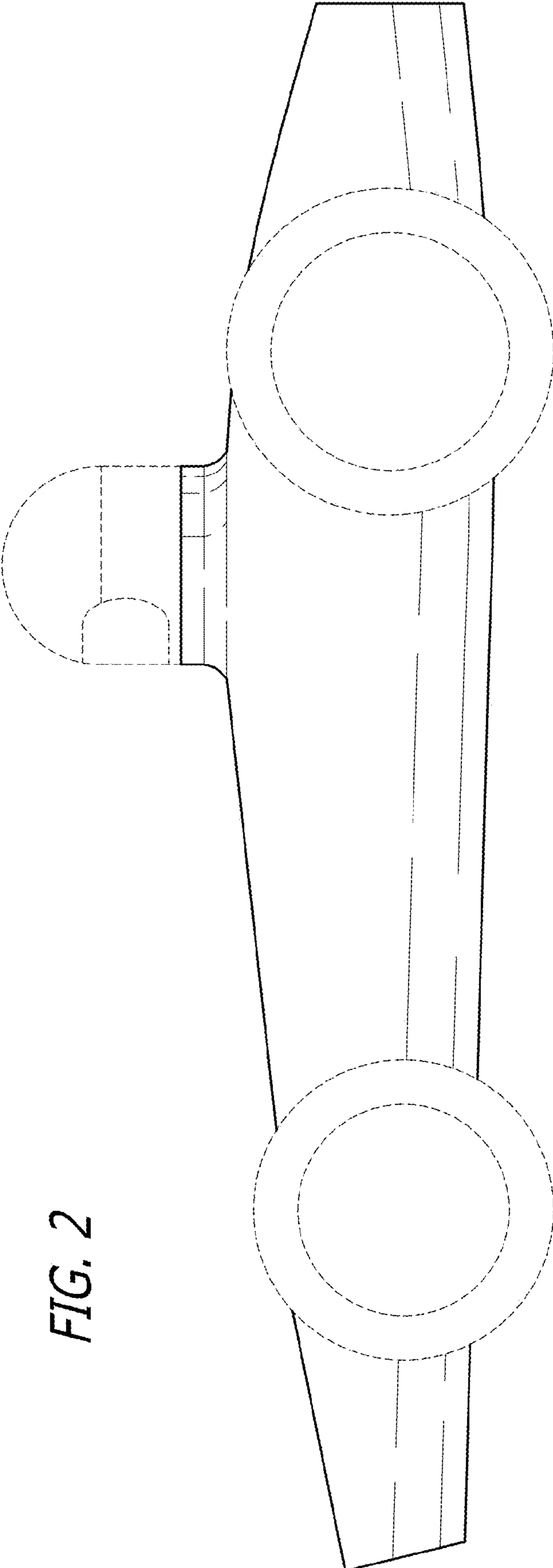
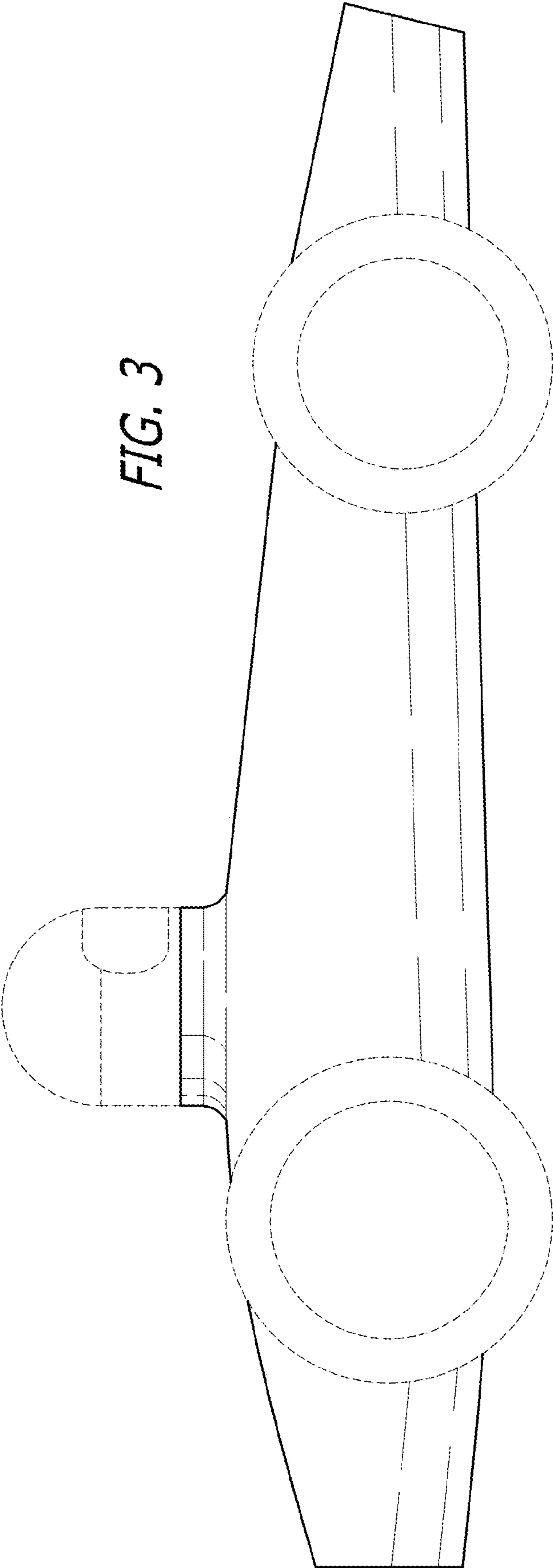


FIG. 2

FIG. 3



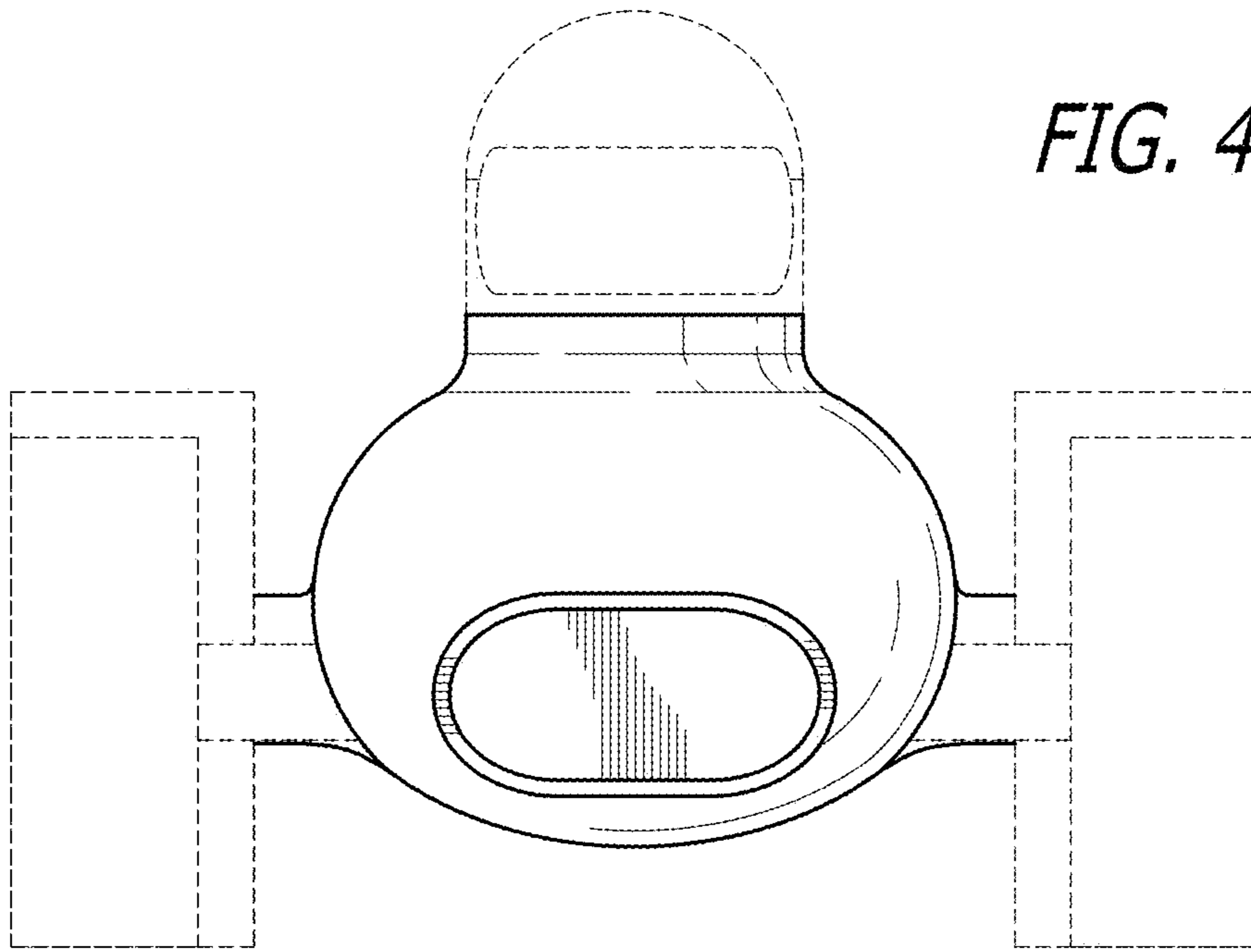


FIG. 4

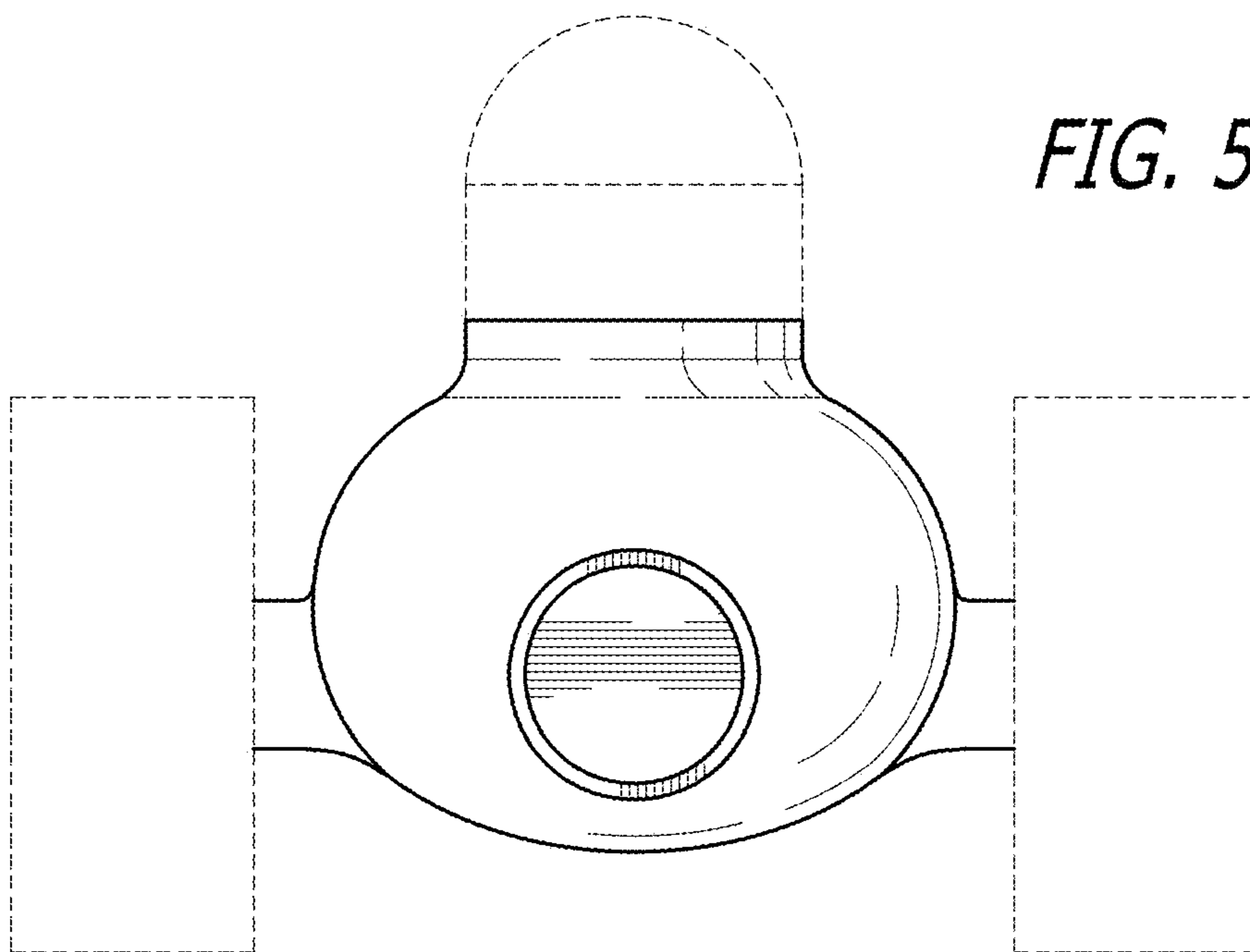


FIG. 5

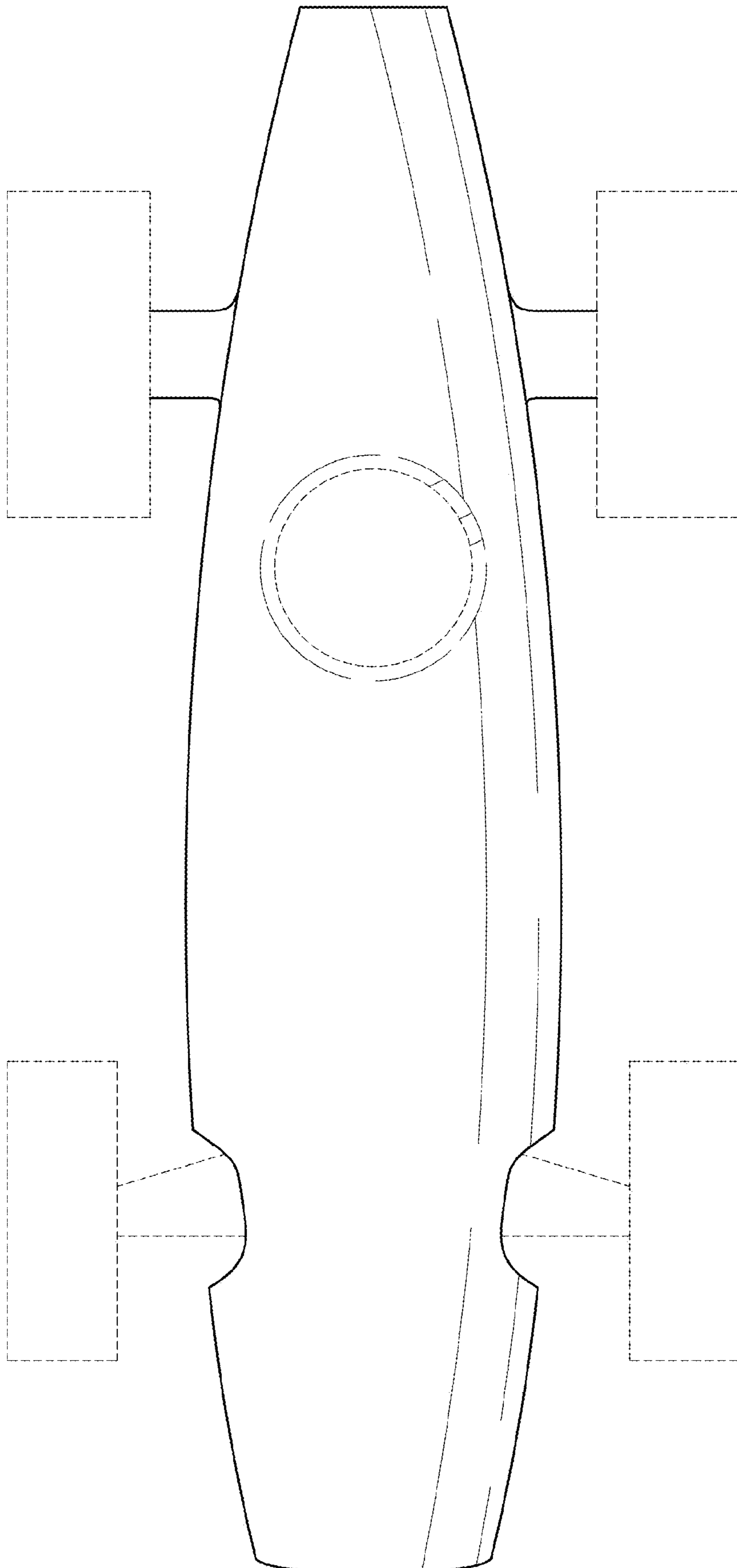


FIG. 6

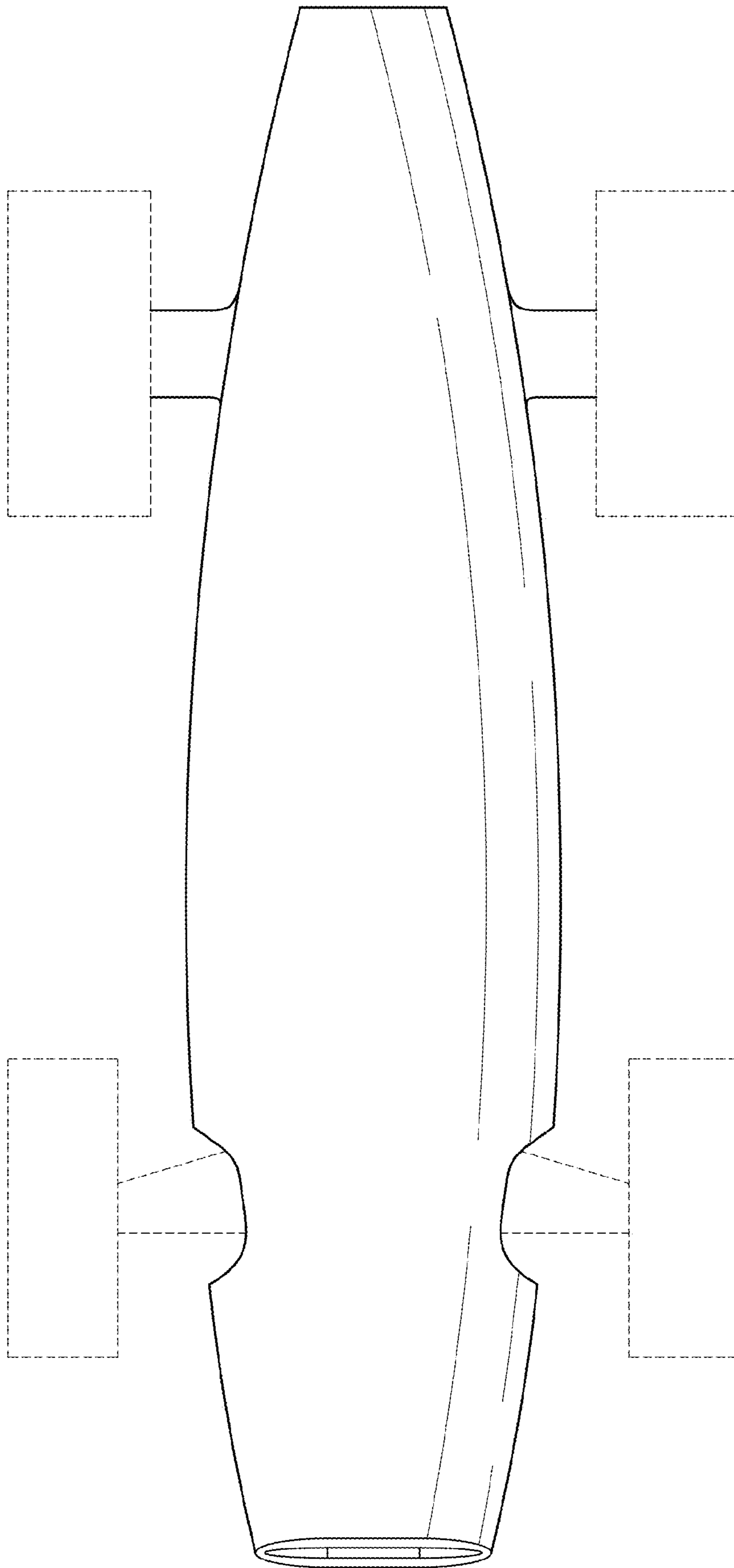


FIG. 7