



US00D973149S

(12) **United States Design Patent** (10) **Patent No.:** **US D973,149 S**
Liao (45) **Date of Patent:** **** Dec. 20, 2022**

(54) **REMOTE CONTROL VEHICLE**
(71) Applicant: **Merchsource, LLC**, Irvine, CA (US)
(72) Inventor: **Denny Liao**, Irvine, CA (US)
(73) Assignee: **MerchSource, LLC**, Irvine, CA (US)
(**) Term: **15 Years**
(21) Appl. No.: **29/733,252**
(22) Filed: **Apr. 30, 2020**
(51) **LOC (13) Cl.** **21-01**
(52) **U.S. Cl.**
USPC **D21/549**
(58) **Field of Classification Search**
USPC D21/533, 548, 549, 550, 551, 552, 424,
D21/433, 435; D12/88, 91
CPC B60Y 2200/114; A63H 17/00; A63H
17/045; A63H 17/02; A63H 17/004;
A63H 17/05; A63H 33/003
See application file for complete search history.

(56) **References Cited**
U.S. PATENT DOCUMENTS
D203,843 S * 2/1966 Campbell D21/433
D218,695 S * 9/1970 Broadley D21/549
D221,378 S * 8/1971 Williams D12/92
D246,676 S * 12/1977 Nakao D21/550
D249,736 S * 9/1978 Bergman D21/533
D260,665 S * 9/1981 Yamashina D21/551
D282,729 S * 2/1986 Lunn D12/88
5,233,864 A * 8/1993 Huang G01L 17/00
73/146.8
D438,144 S * 2/2001 Hettler D12/88
D526,598 S * 8/2006 Singer D12/88
D830,904 S * 10/2018 Jin D12/88
D839,133 S * 1/2019 Hilton D12/88
D865,563 S * 11/2019 Matsumoto D12/88
D874,978 S * 2/2020 Bischoff D12/88
D874,979 S * 2/2020 Crijns D12/88

D899,303 S * 10/2020 Hilton D12/88
2020/0384375 A1* 12/2020 Koehl A63H 17/02
2021/0299583 A1* 9/2021 Liao A63H 17/26

OTHER PUBLICATIONS

FAO Schwarz RC Motorhead Car with Striker Head, date posted Sep. 23, 2020, [site visited Dec. 27, 2021], URL: <https://www.youtube.com/watch?v=IFnYUuC5lyg> (Year: 2020).*

(Continued)

Primary Examiner — Dana K Weiland
Assistant Examiner — Emily Anna Saunders
(74) *Attorney, Agent, or Firm* — Avyno Law P.C.

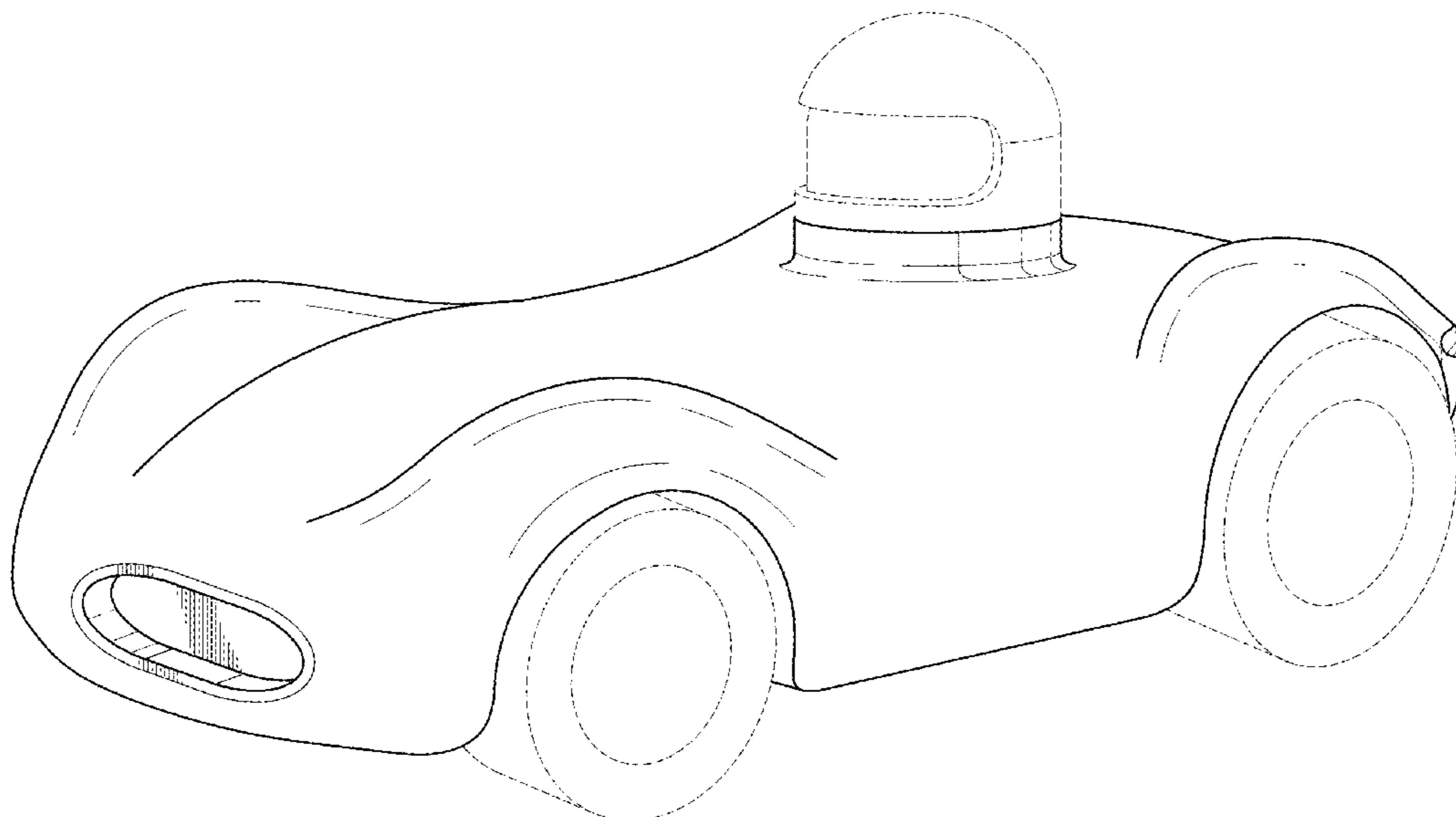
(57) **CLAIM**

I claim the ornamental design for a remote control vehicle, as shown and described.

DESCRIPTION

FIG. 1 is a front perspective view of a remote control vehicle.
FIG. 2 is a side elevation view of the left side of the remote control vehicle of FIG. 1.
FIG. 3 is a side elevation view of the right side of the remote control vehicle of FIG. 1.
FIG. 4 is a front elevation view of the remote control vehicle of FIG. 1.
FIG. 5 is a rear elevation view of the remote control vehicle of FIG. 1.
FIG. 6 is a top plan view of the remote control vehicle of FIG. 1; and,
FIG. 7 is a bottom plan view of the remote control vehicle of FIG. 1.
In the drawings, the broken lines depict portions of the remote control vehicle and its driver that form no part of the claimed design.

1 Claim, 6 Drawing Sheets



(56)

References Cited

OTHER PUBLICATIONS

Ryan's World Remote Control Race Car Toy, date posted Dec. 2, 2020, [site visited Dec. 27, 2021], URL: <https://www.youtube.com/watch?v=jBsG7v40bwY> (Year: 2020).*

Toy RC Motorhead Closed Wheel, available on faoschwarz.com, [site visited Dec. 27, 2021], URL: <https://faoschwarz.com/collections/remote-controlled-cars/products/toy-rc-motorhead-closed-wheel-8inch> (Year: 2021).*

Denny Liao Motorheads, available on denny-liao.com, [site visited Dec. 27, 2021], URL: <https://www.denny-liao.com/work/motorheads> (Year: 2021).*

701 Speedy Le Mans Red, available on playforever.co.uk, [site visited Dec. 27, 2021], URL: <https://playforever.co.uk/products/701-speedy-le-mans-red> (Year: 2021).*

RC Toys Remote Control Car, available on Amazon.com, oldest customer review Jul. 3, 2019, [site visited Dec. 27, 2021], URL: <https://www.amazon.com/dp/B09D3CKG9Q/> (Year: 2019).*

Wishtime Remote Control Car, available on Amazon.com, date first available Jul. 15, 2021, [site visited Dec. 27, 2021], URL: <https://www.amazon.co.uk/WISHTIME-Control-Bluetooth-Recharged-Interactive/dp/B099K9K6Q9/> (Year: 2021).*

Little Tikes RC Bumper Cars, available on Target.com, [site visited Dec. 27, 2021], URL: <https://www.target.com/p/little-tikes-rc-bumper-cars-set-of-2/-/A-52128843> (Year: 2021).*

* cited by examiner

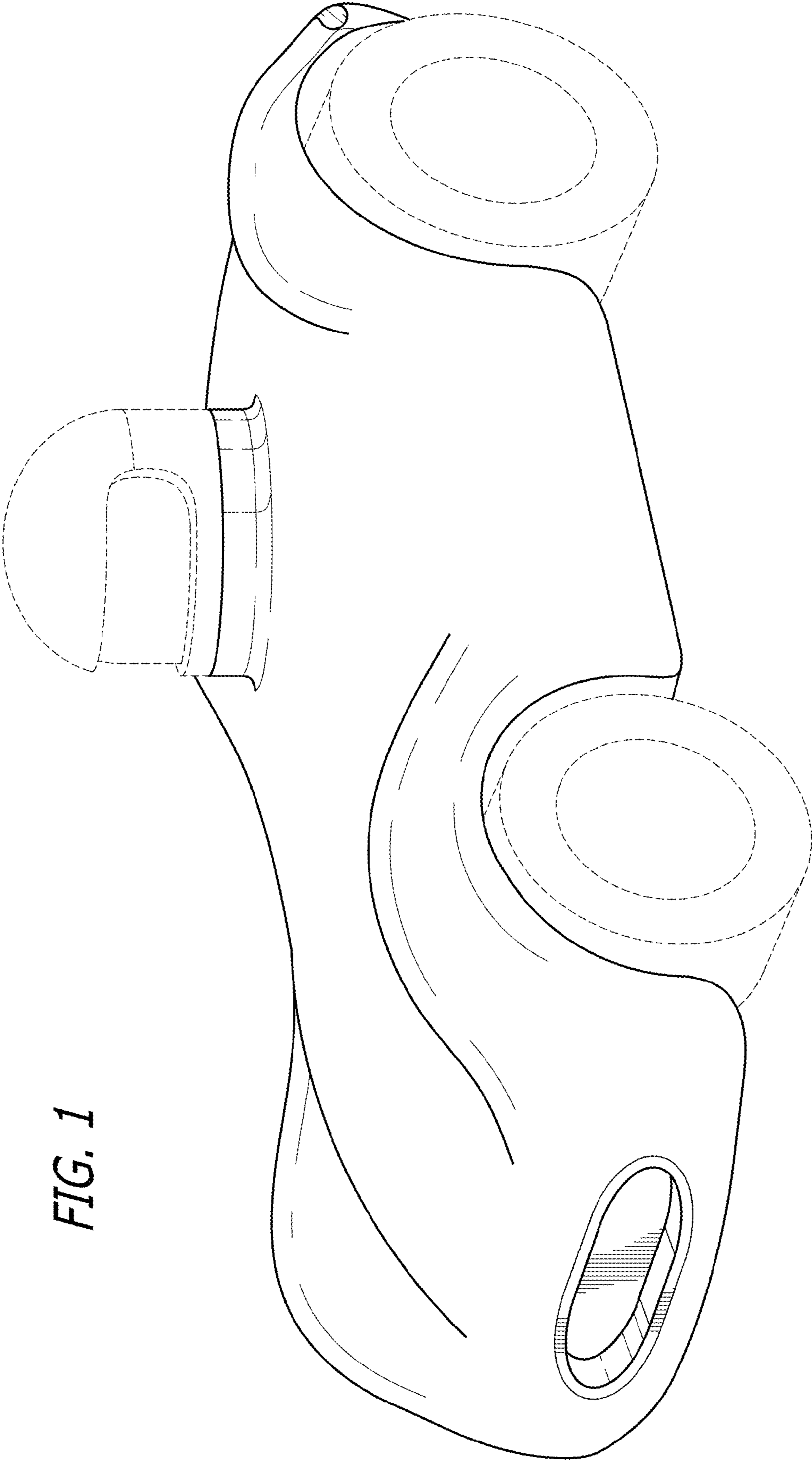


FIG. 1

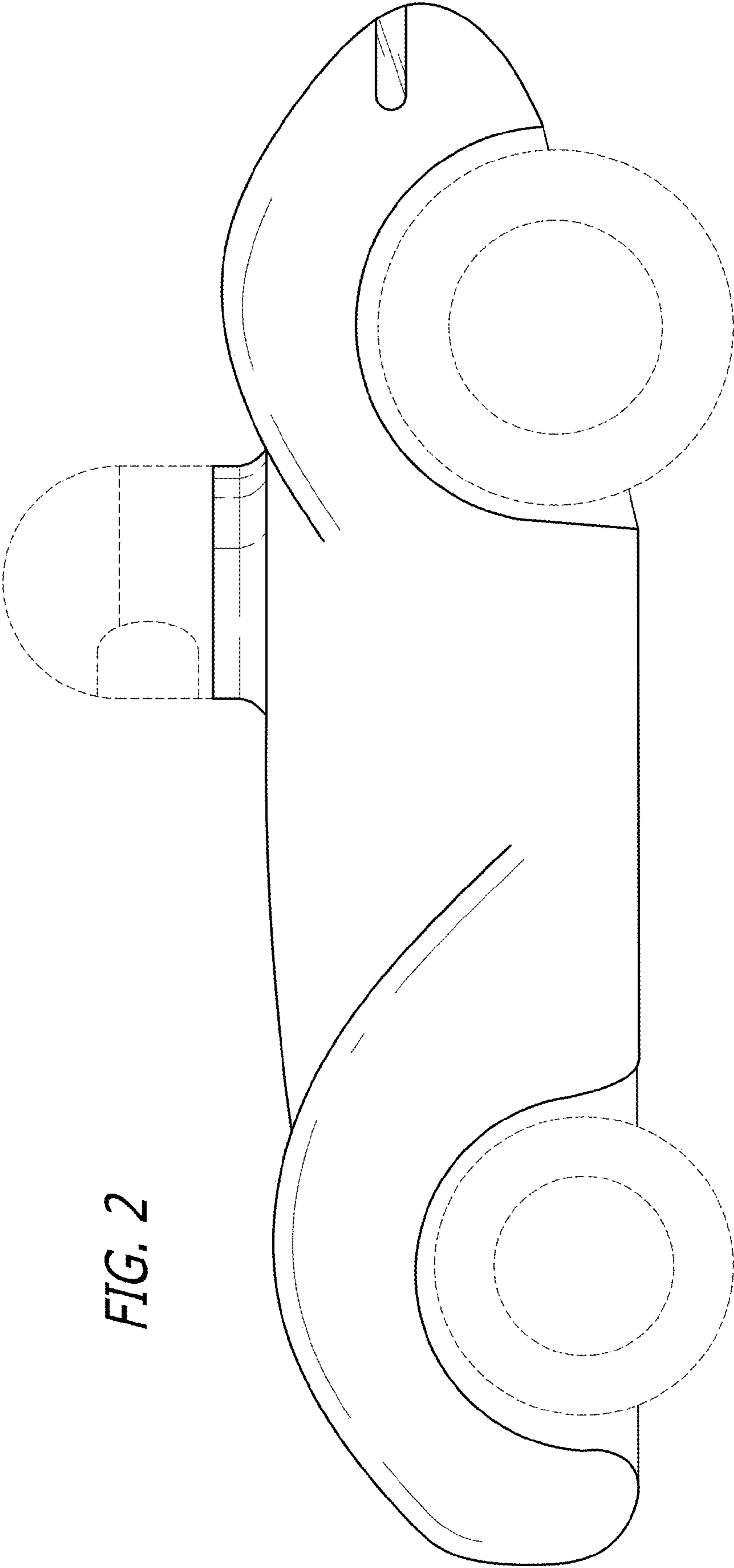


FIG. 2

FIG. 3

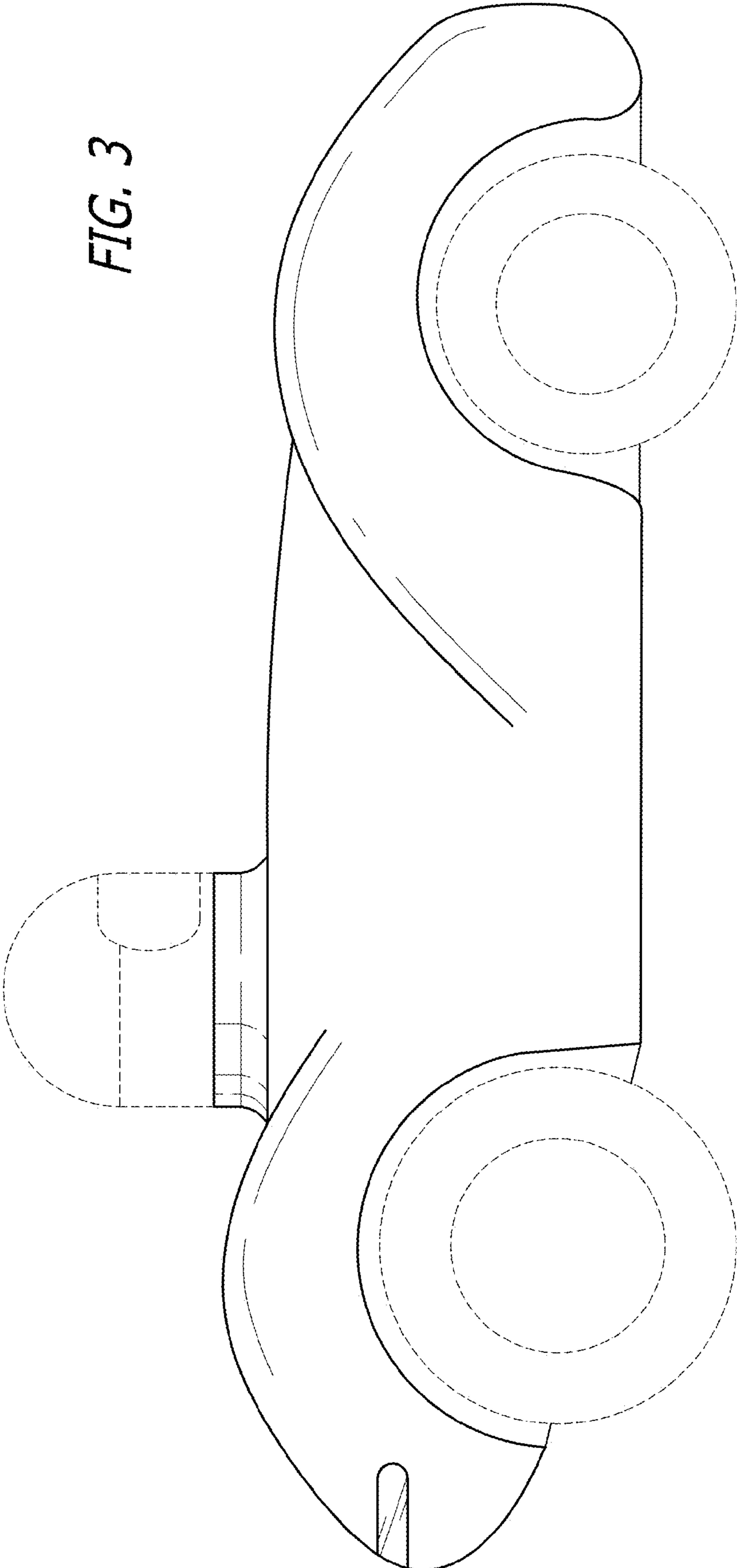


FIG. 4

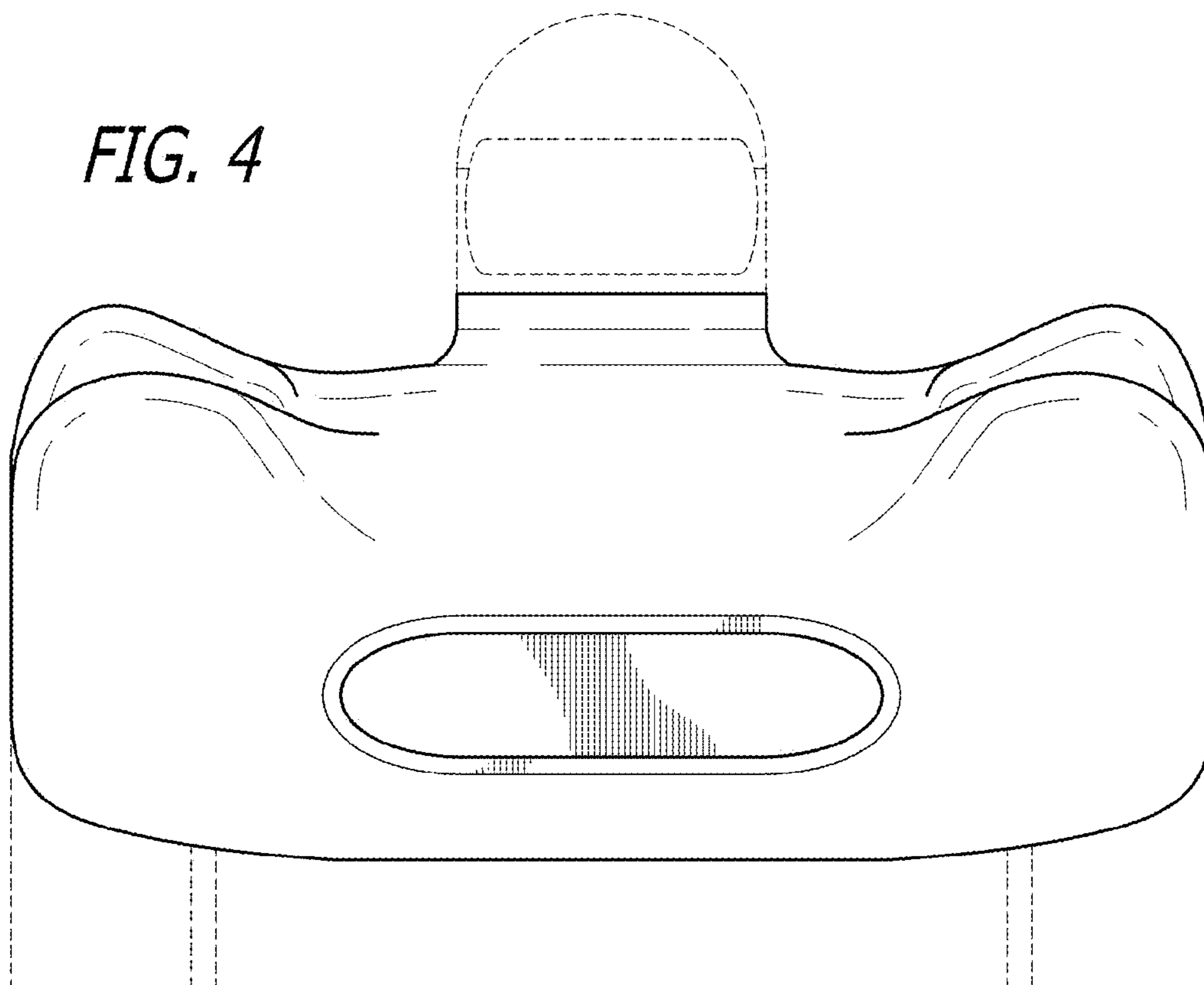
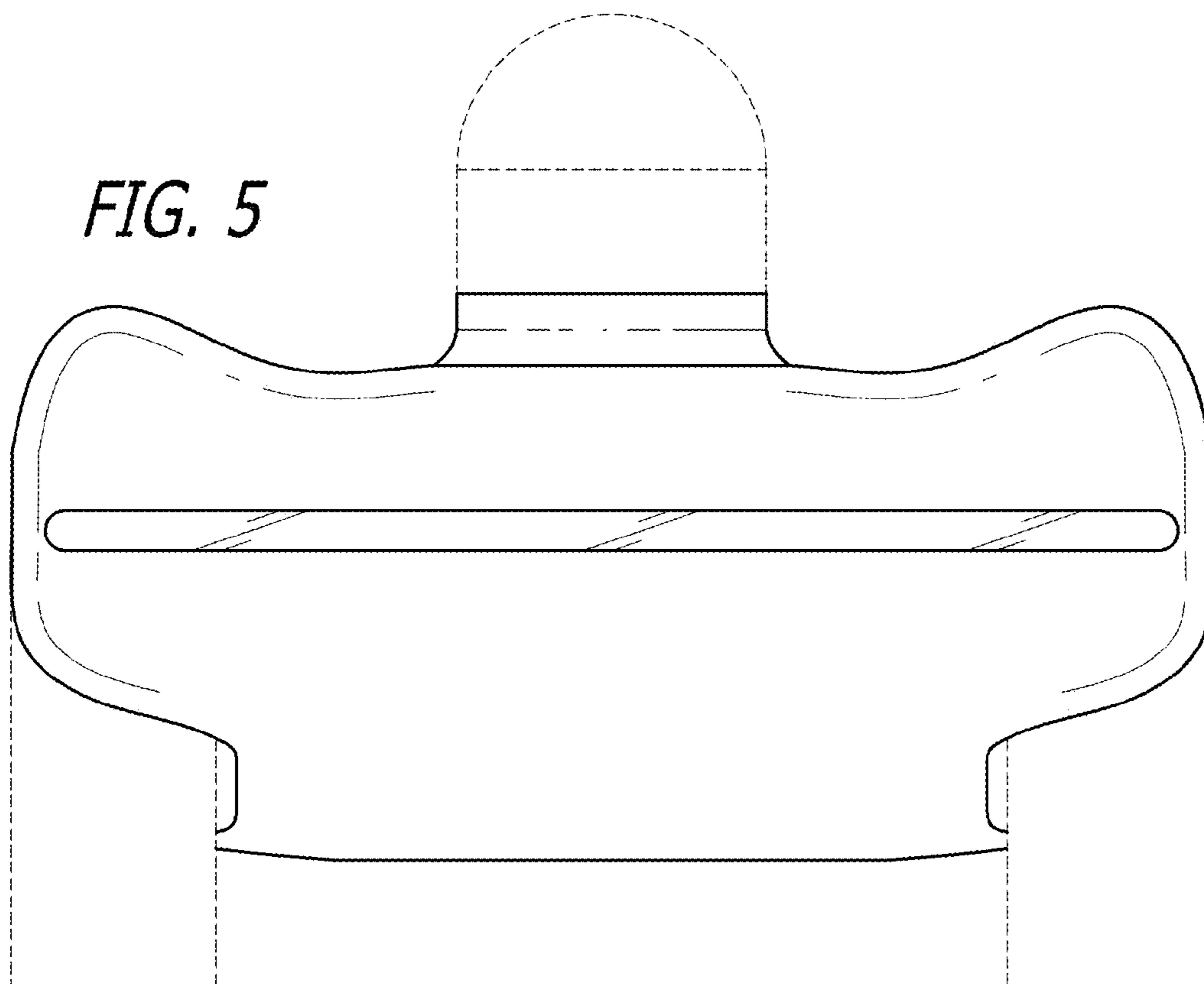


FIG. 5



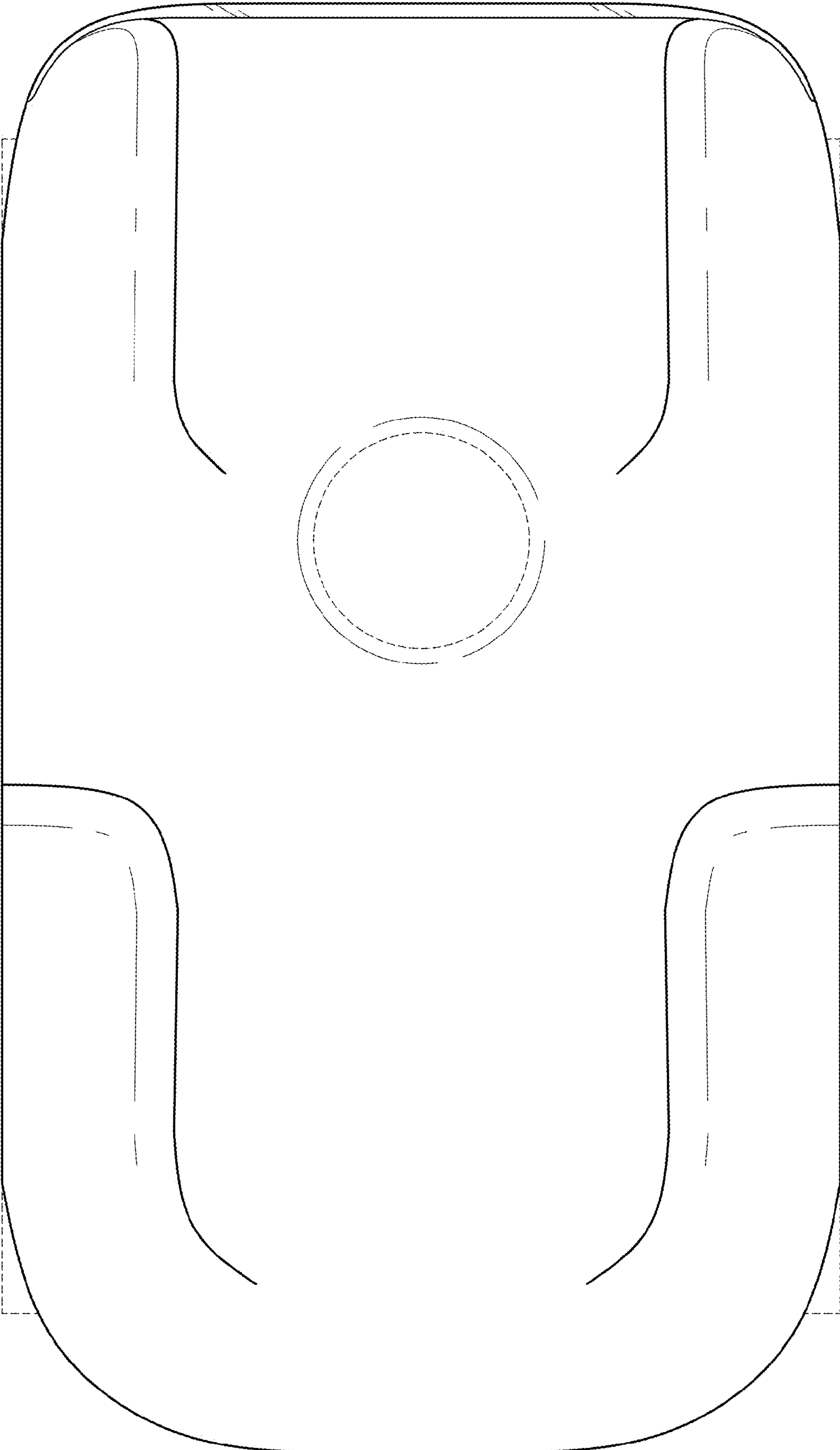


FIG. 6

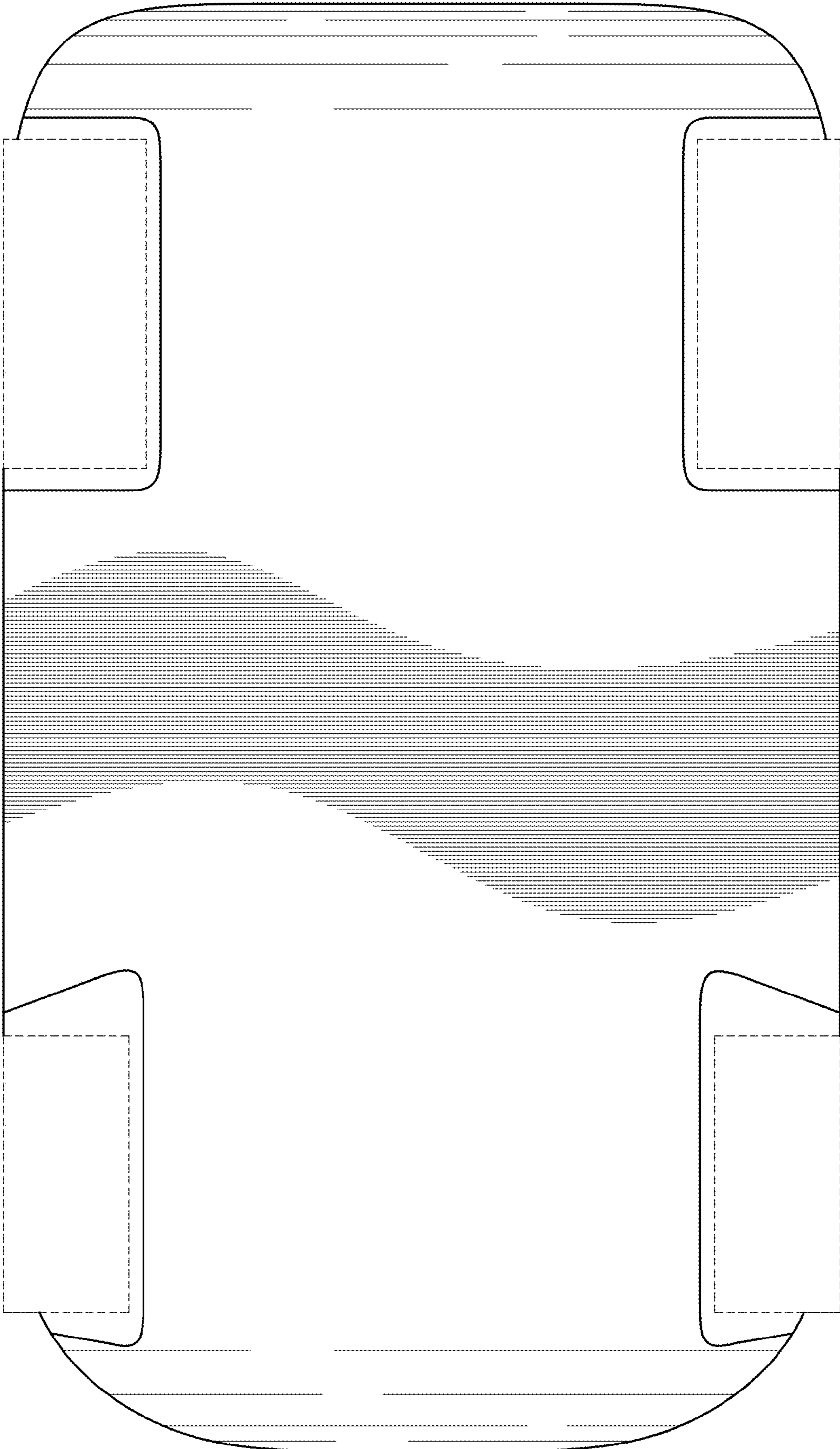


FIG. 7