



US00D973145S

(12) **United States Design Patent**
Kim

(10) **Patent No.:** **US D973,145 S**

(45) **Date of Patent:** **** Dec. 20, 2022**

(54) **FIDGET BALL TOY**

(71) Applicant: **Peter Jinseok Kim**, Whittier, CA (US)

(72) Inventor: **Peter Jinseok Kim**, Whittier, CA (US)

(**) Term: **15 Years**

(21) Appl. No.: **29/839,884**

(22) Filed: **May 24, 2022**

(51) **LOC (13) Cl.** **21-01**

(52) **U.S. Cl.**
USPC **D21/468**

(58) **Field of Classification Search**
USPC D21/398, 468, 498, 712, 713; D30/160;
D24/211

CPC A01K 15/00; A01K 5/00; A01K 15/026;
A23K 50/00; A23K 10/00; A63B 43/008;
A63B 43/002; A63B 67/002

See application file for complete search history.

(56) **References Cited**

U.S. PATENT DOCUMENTS

D435,660 S *	12/2000	Yoo	D24/214
D626,706 S *	11/2010	Ragonetti	D30/160
D675,736 S *	2/2013	Garza-Vale	A61H 15/00
				D24/155
D677,439 S *	3/2013	Renforth	D30/160
D717,963 S *	11/2014	Milton	A01K 15/026
				D24/215
D820,993 S *	6/2018	Huang	D24/215
D827,847 S *	9/2018	Downare	D24/211
D834,653 S	11/2018	Shi et al.		

D857,129 S *	8/2019	Lim	D21/662
D879,887 S *	3/2020	Loftin, III	D6/601
D914,225 S *	3/2021	Mills	D24/211
11,278,467 B2 *	3/2022	Moridaira	A61H 15/00
2005/0045115 A1 *	3/2005	Mann	A01K 15/026
				119/711

* cited by examiner

Primary Examiner — Philip S Hyder

(74) *Attorney, Agent, or Firm* — Che-Yang Chen; Law Office of Michael Chen

(57) **CLAIM**

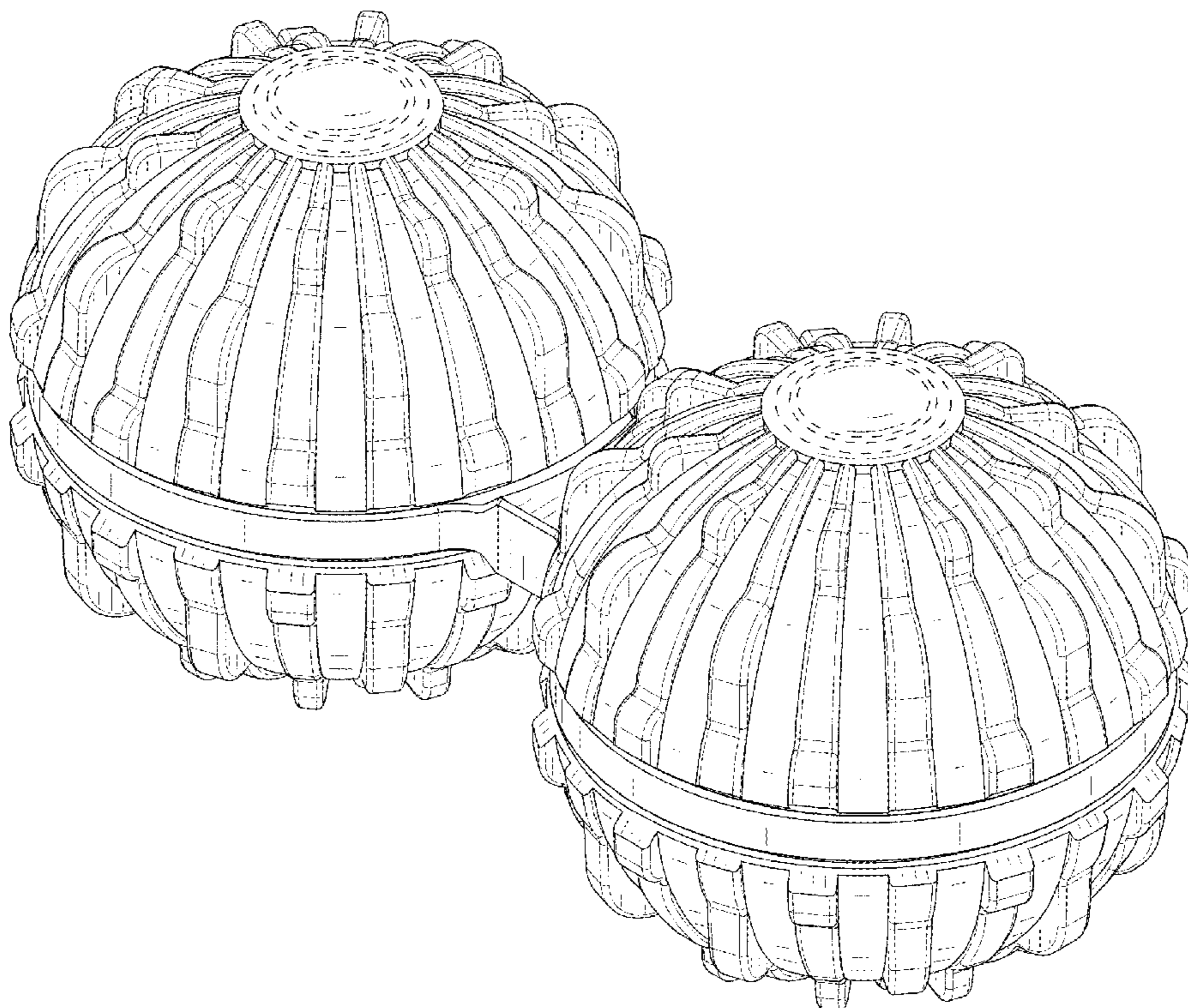
The ornamental design for a fidget ball toy, as shown and described.

DESCRIPTION

FIG. 1 is a perspective view of the fidget ball toy showing my new design;
 FIG. 2 is a perspective view thereof from another angle;
 FIG. 3 is a front elevational view thereof;
 FIG. 4 is a rear elevational view thereof;
 FIG. 5 is a left side elevational view thereof;
 FIG. 6 is a right side elevational view thereof;
 FIG. 7 is a top plan view thereof;
 FIG. 8 is a bottom plan view thereof; and,
 FIG. 9 is an enlarged view of a portion indicated with numeric 9 in FIG. 3.

The broken lines shown in the drawings represent portions of the fidget ball toy that form no part of the claimed design.

1 Claim, 9 Drawing Sheets



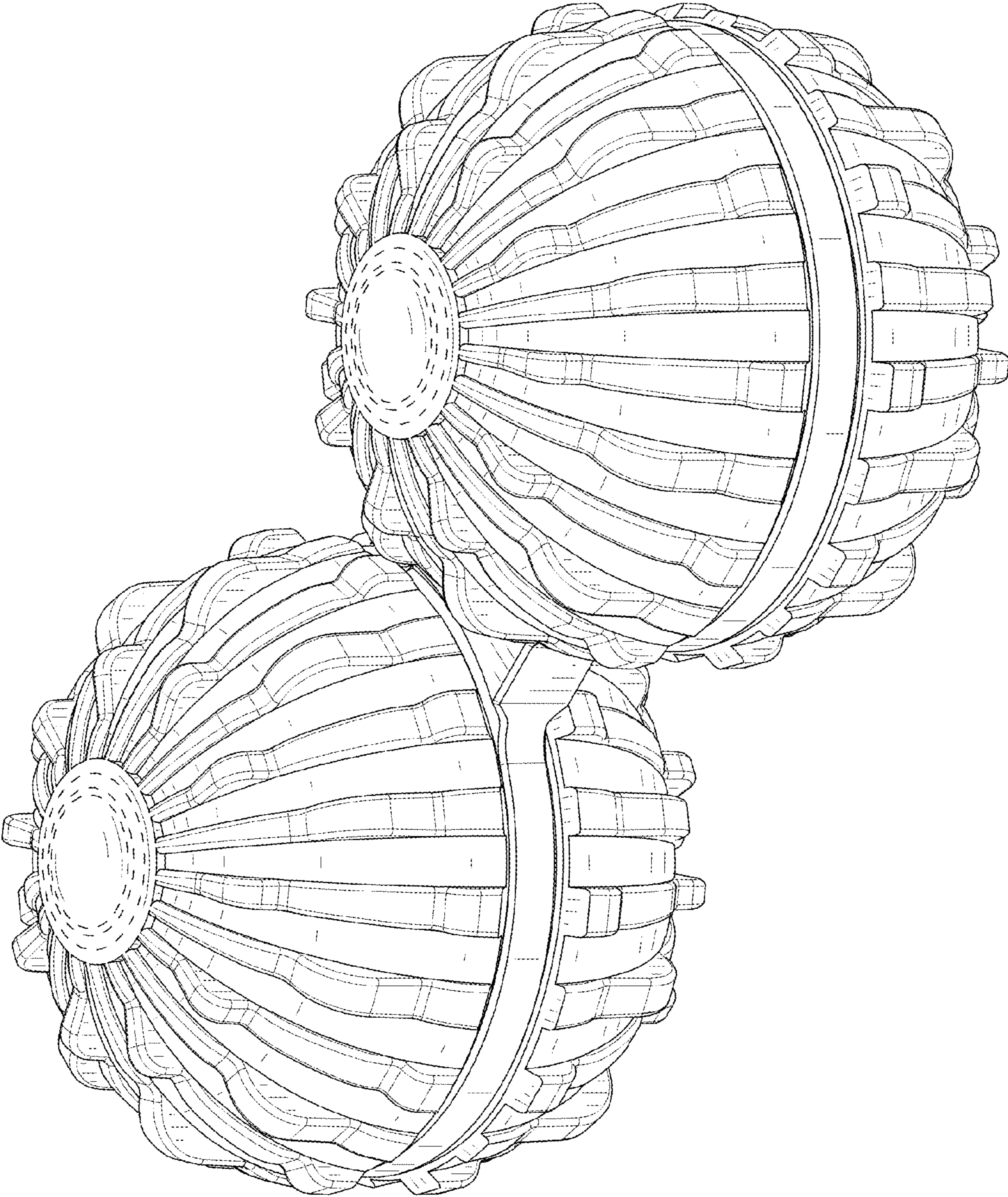


FIG. 1

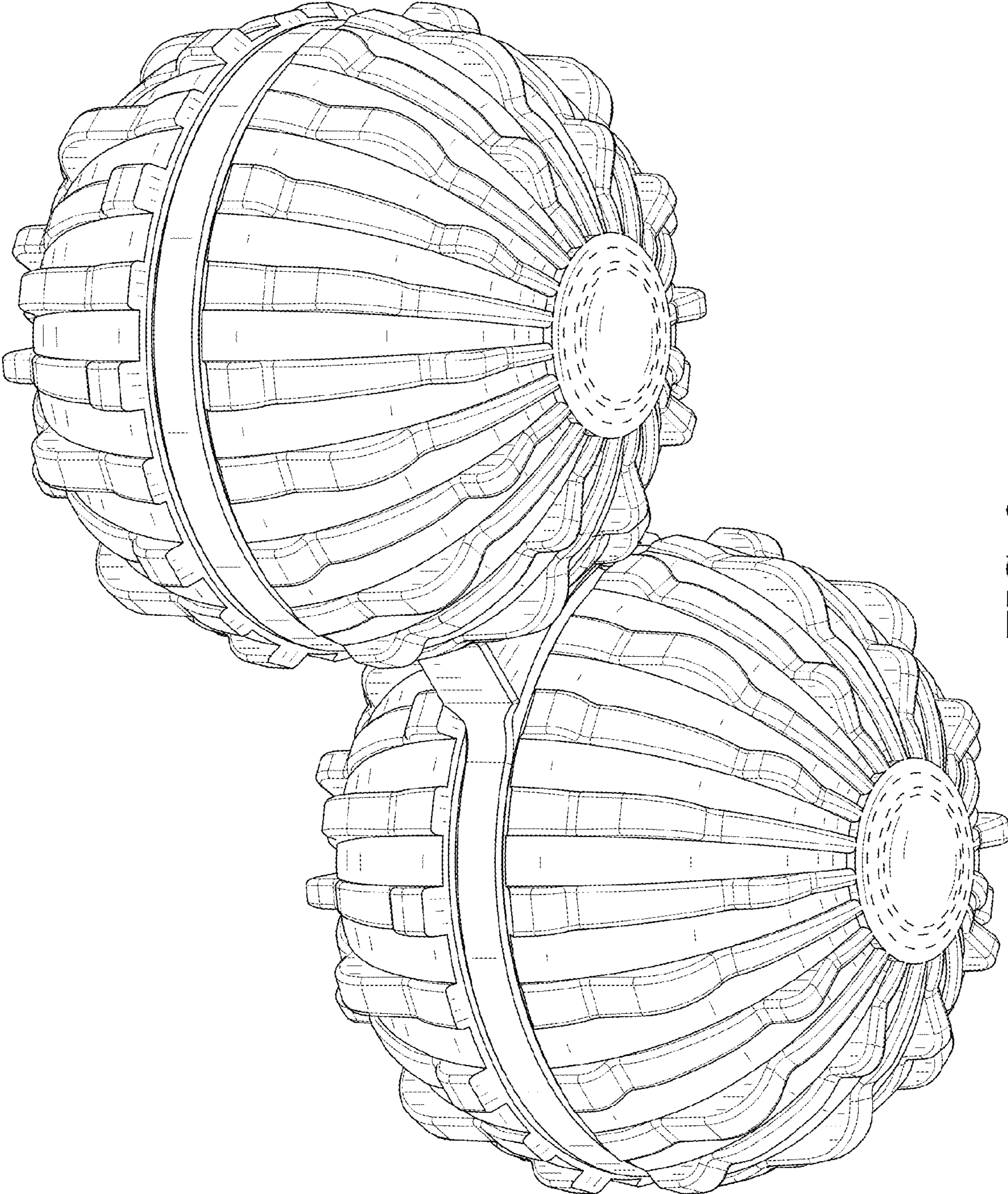


FIG. 2

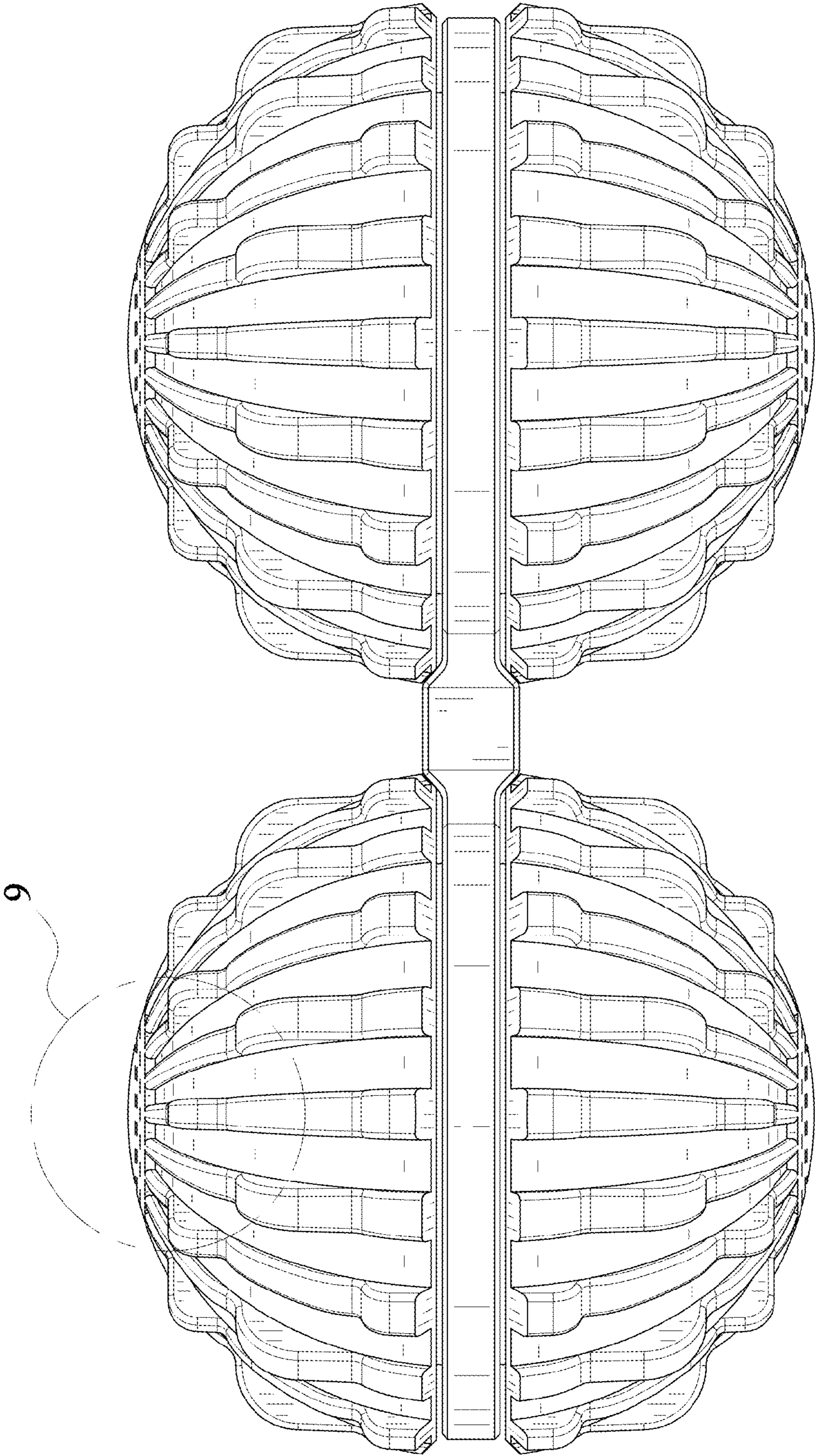


FIG. 3

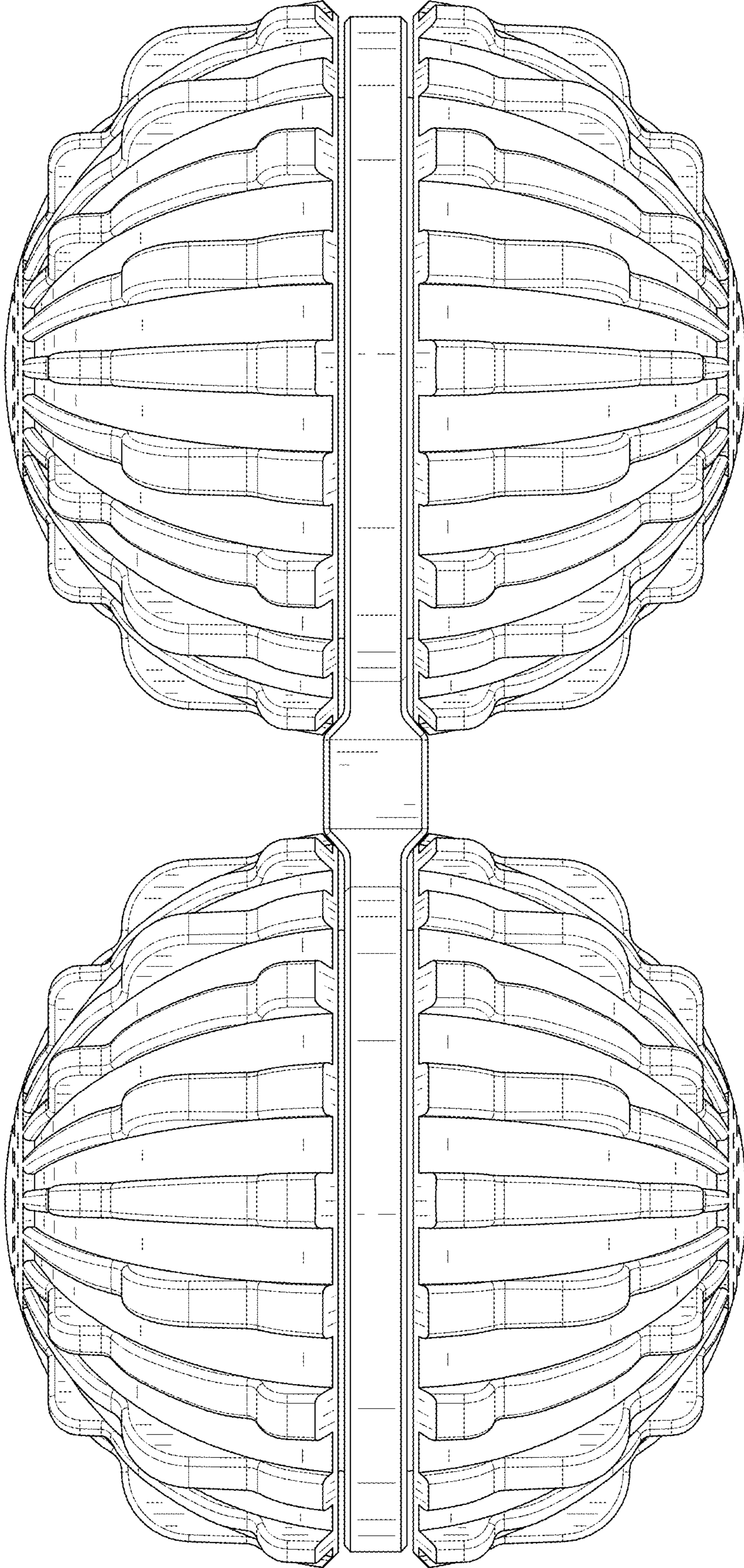


FIG. 4

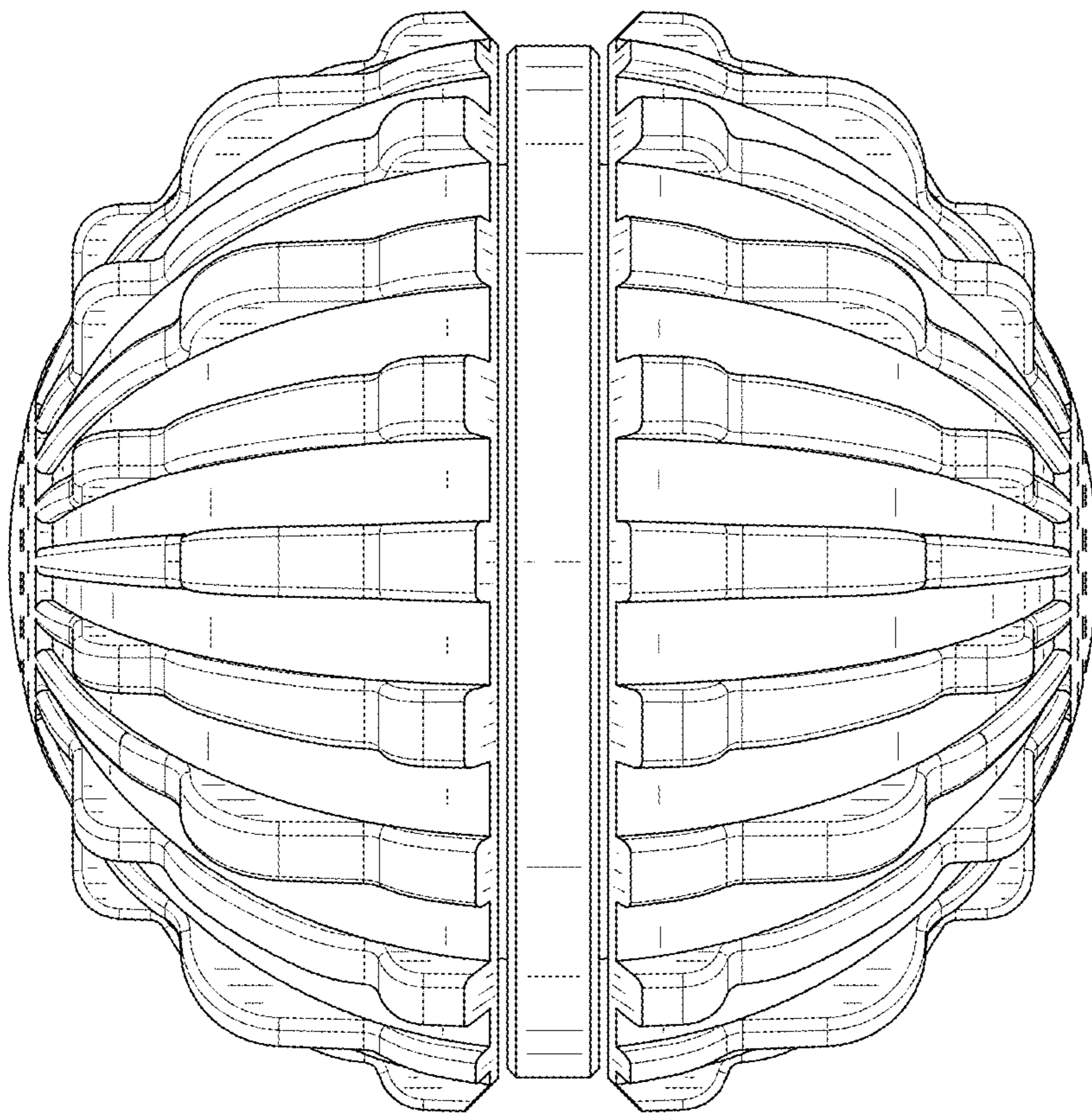


FIG. 5

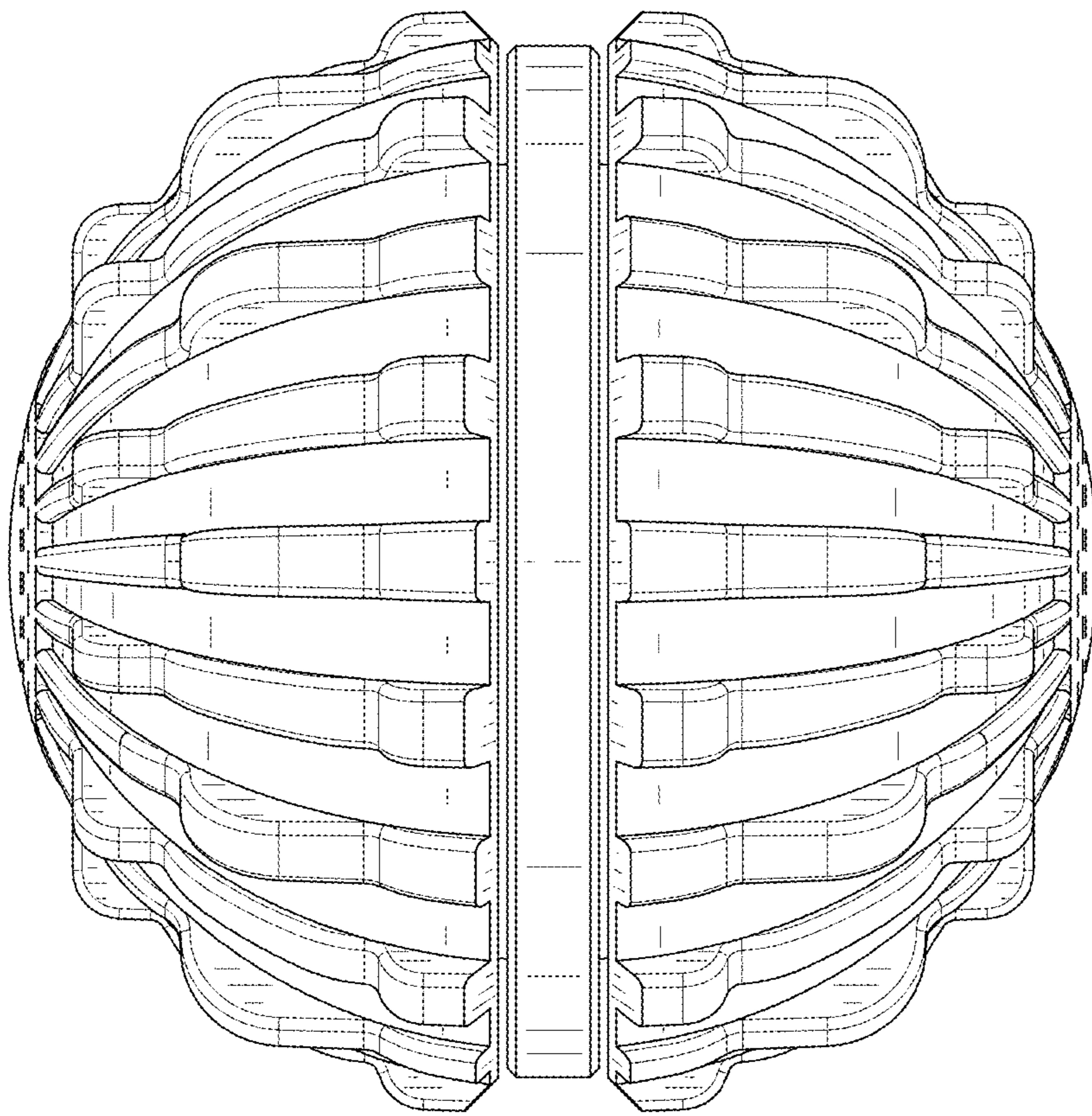


FIG. 6

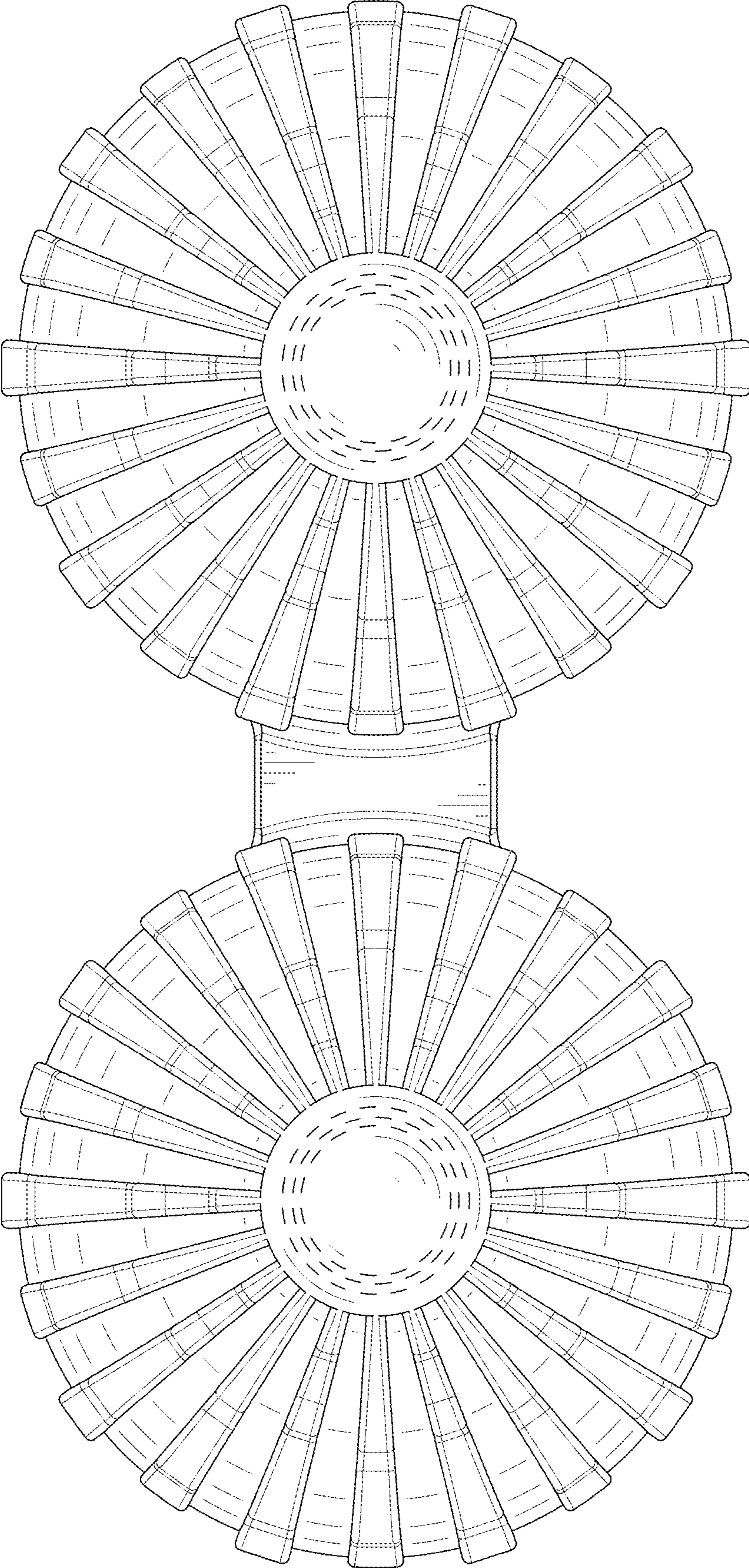


FIG. 7

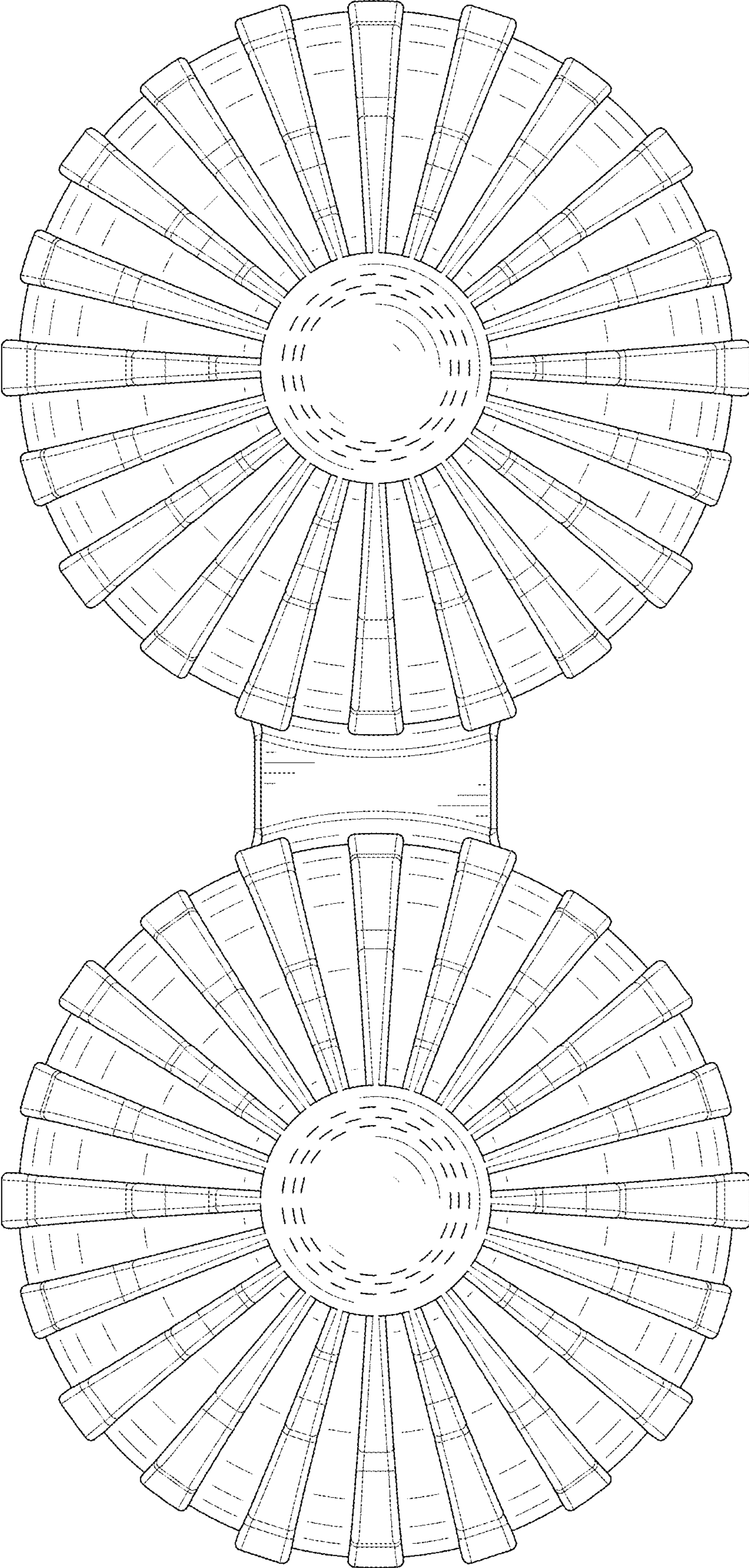


FIG. 8

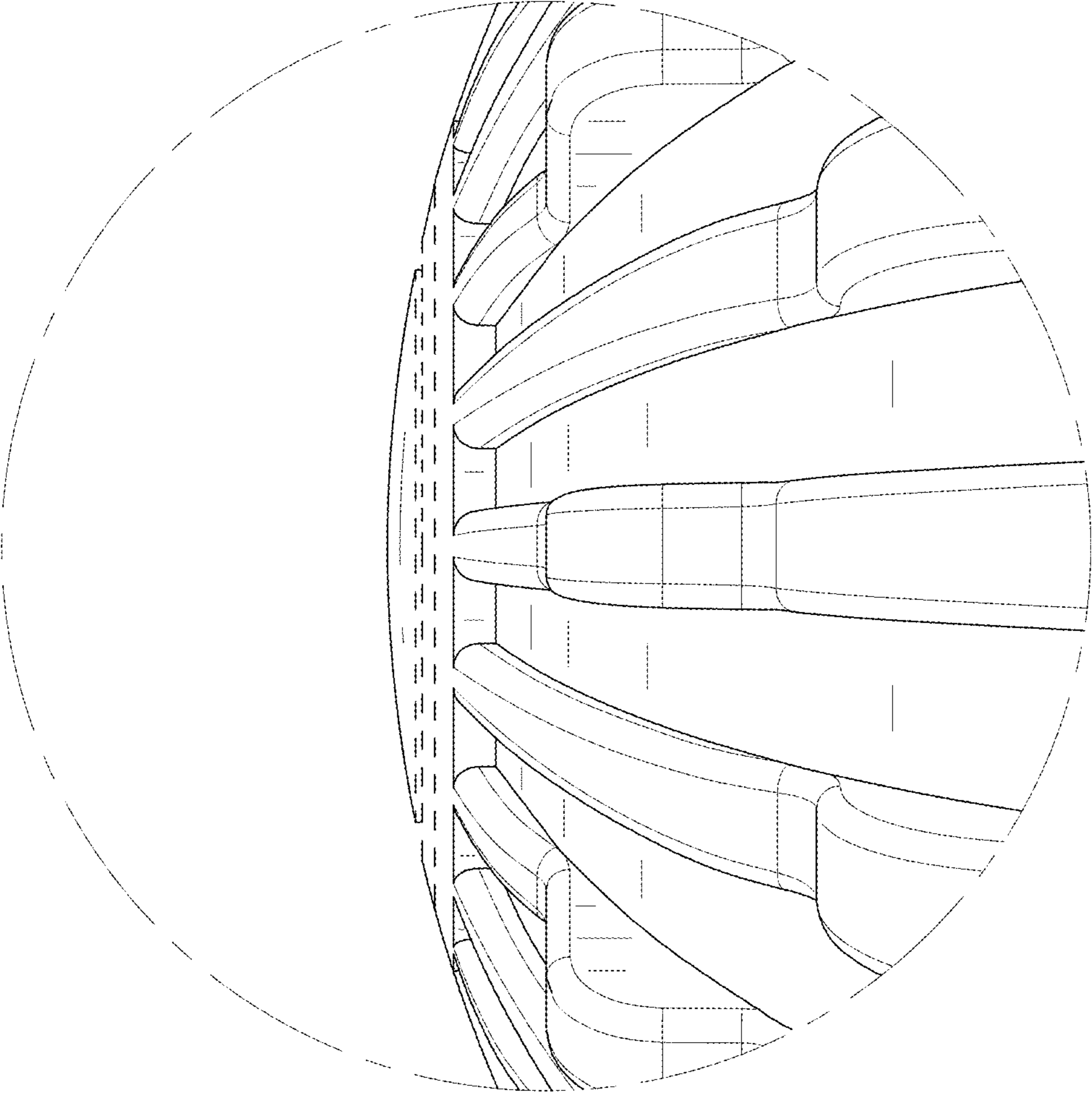


FIG. 9