



US00D973141S

(12) **United States Design Patent** (10) **Patent No.:** **US D973,141 S**  
**Loveland et al.** (45) **Date of Patent:** **\*\* Dec. 20, 2022**

(54) **FOOT-PROPELLED VEHICLE**

FOREIGN PATENT DOCUMENTS

(71) Applicant: **Early Rider Limited**, Stockbridge (GB)

WO 2012/104622 8/2012

(72) Inventors: **Andrew Loveland**, Henley On Thames (GB); **Robert Upton**, Totnes (GB); **Jeffrey Knapman**, Salisbury (GB)

OTHER PUBLICATIONS

Carlos Mejia. "This Space-Aged Balance Bug Is My Toddler's Favorite Ride." *Fatherly.*, Mar. 13, 2018 [online], [retrieved on Jul. 18, 2022]. Retrieved from the Internet <URL: <https://www.fatherly.com/life/chippin-eco-friendly-dog-treats-food>>.\*

(73) Assignee: **Early Rider Limited**, Stockbridge (GB)

*Primary Examiner* — Darlington Ly

(\*\*) Term: **15 Years**

(74) *Attorney, Agent, or Firm* — Saidman DesignLaw Group, LLC

(21) Appl. No.: **29/755,749**

(22) Filed: **Oct. 22, 2020**

(51) **LOC (13) Cl.** ..... **21-01**

(52) **U.S. Cl.**  
USPC ..... **D21/432; D12/111**

(58) **Field of Classification Search**  
USPC ..... D12/111, 117; D21/412, 414, 419, D21/423-428, 431-435  
CPC ..... B62K 3/00; B62K 3/02; B62K 3/06  
See application file for complete search history.

(57) **CLAIM**

The ornamental design for a foot-propelled vehicle, as shown and described.

(56) **References Cited**

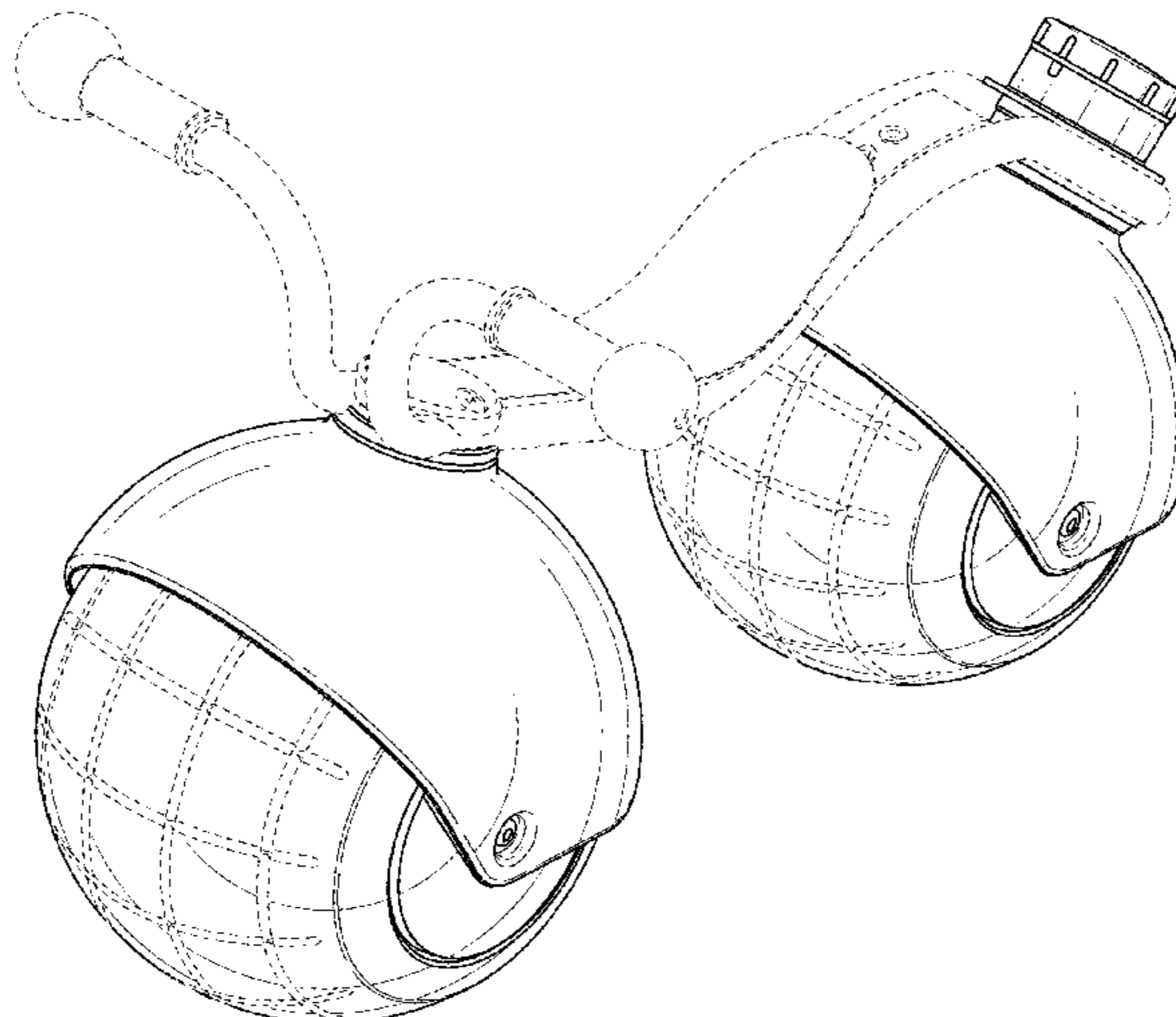
U.S. PATENT DOCUMENTS

D191,176 S *	8/1961	Pressner	280/87.021
D216,551 S *	2/1970	Ruby	D21/432
D271,504 S *	11/1983	Rivollet	D21/424
D276,512 S *	11/1984	Gammelgaard	D12/111
D346,833 S *	5/1994	Klawitter	D21/432
D532,460 S *	11/2006	Auberger	A47D 13/086
			D21/432
D571,863 S *	6/2008	On	D21/424
D597,146 S *	7/2009	Verlinden	D21/432
D597,147 S *	7/2009	Verlinden	D21/432
D653,294 S	1/2012	Loveland et al.	
8,191,931 B1 *	6/2012	Mulder	B62K 19/14
			D12/111
D671,173 S *	11/2012	Tompkin	D21/432
D673,623 S *	1/2013	De Roeck	D21/435
D701,271 S *	3/2014	Grout	D21/426

**DESCRIPTION**

FIG. 1 is a perspective view of a foot-propelled vehicle showing our new design;  
 FIG. 2 is a front view thereof;  
 FIG. 3 is a rear view thereof;  
 FIG. 4 is a left side view thereof;  
 FIG. 5 is a right side view thereof;  
 FIG. 6 is a top view thereof;  
 FIG. 7 is a bottom view thereof;  
 FIG. 8 is a perspective view of a second embodiment thereof;  
 FIG. 9 is a front view thereof;  
 FIG. 10 is a rear view thereof;  
 FIG. 11 is a left side view thereof;  
 FIG. 12 is a right side view thereof;  
 FIG. 13 is a top view thereof; and,  
 FIG. 14 is a bottom view thereof.  
 The broken lines illustrate structure or features which form no part of the claimed design.

**1 Claim, 12 Drawing Sheets**



(Continued)

(56)

**References Cited**

U.S. PATENT DOCUMENTS

D716,878	S *	11/2014	Wu .....	D21/432
D825,395	S *	8/2018	Gafni .....	D21/432
D828,786	S *	9/2018	Baker .....	D12/111
D842,384	S *	3/2019	Kirchschlager .....	D21/419
D864,796	S *	10/2019	Grossjohann .....	D21/435
D877,815	S *	3/2020	Aslan .....	D21/426
D888,838	S *	6/2020	De Roeck .....	D21/426
D896,319	S *	9/2020	Jiang .....	D21/432
D900,681	S *	11/2020	Liu .....	D12/111
D903,003	S *	11/2020	Zemskov .....	D21/424
D910,767	S *	2/2021	Yang .....	D21/432
D947,952	S *	4/2022	Xie .....	D21/432
2005/0077699	A1 *	4/2005	Damon .....	B62K 21/00 280/270
2012/0043734	A1	2/2012	Loveland	
2014/0217694	A1 *	8/2014	Fitzwater .....	B62K 9/00 280/210
2014/0265204	A1 *	9/2014	Lanser .....	F41A 23/34 280/124.103
2016/0200389	A1 *	7/2016	Chen .....	B62K 13/00 280/639
2016/0362157	A1 *	12/2016	McDonald .....	B62M 1/18
2017/0203808	A1	7/2017	Loveland et al.	
2017/0291629	A1 *	10/2017	O Connell .....	B62K 15/006

\* cited by examiner

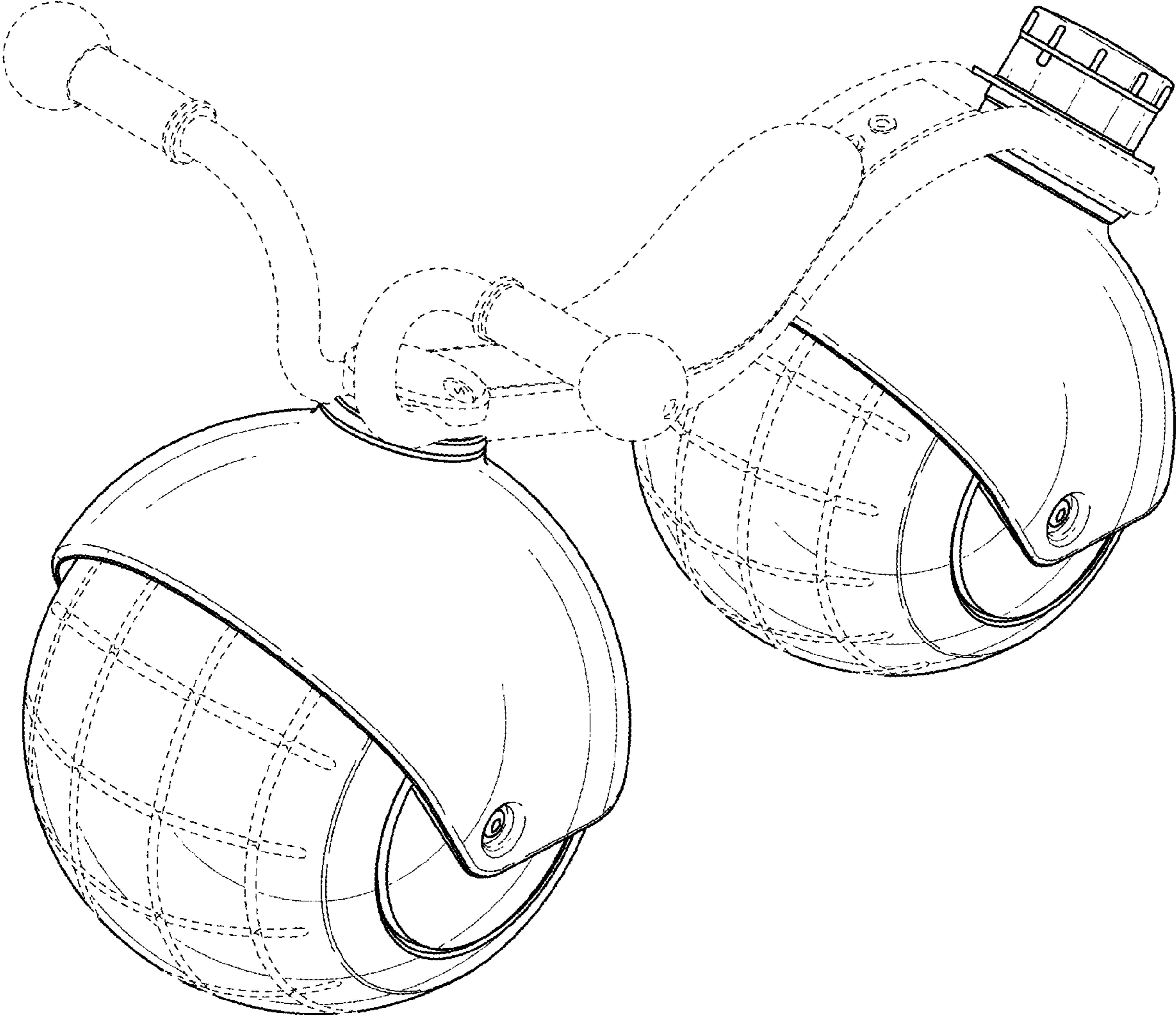


FIG. 1

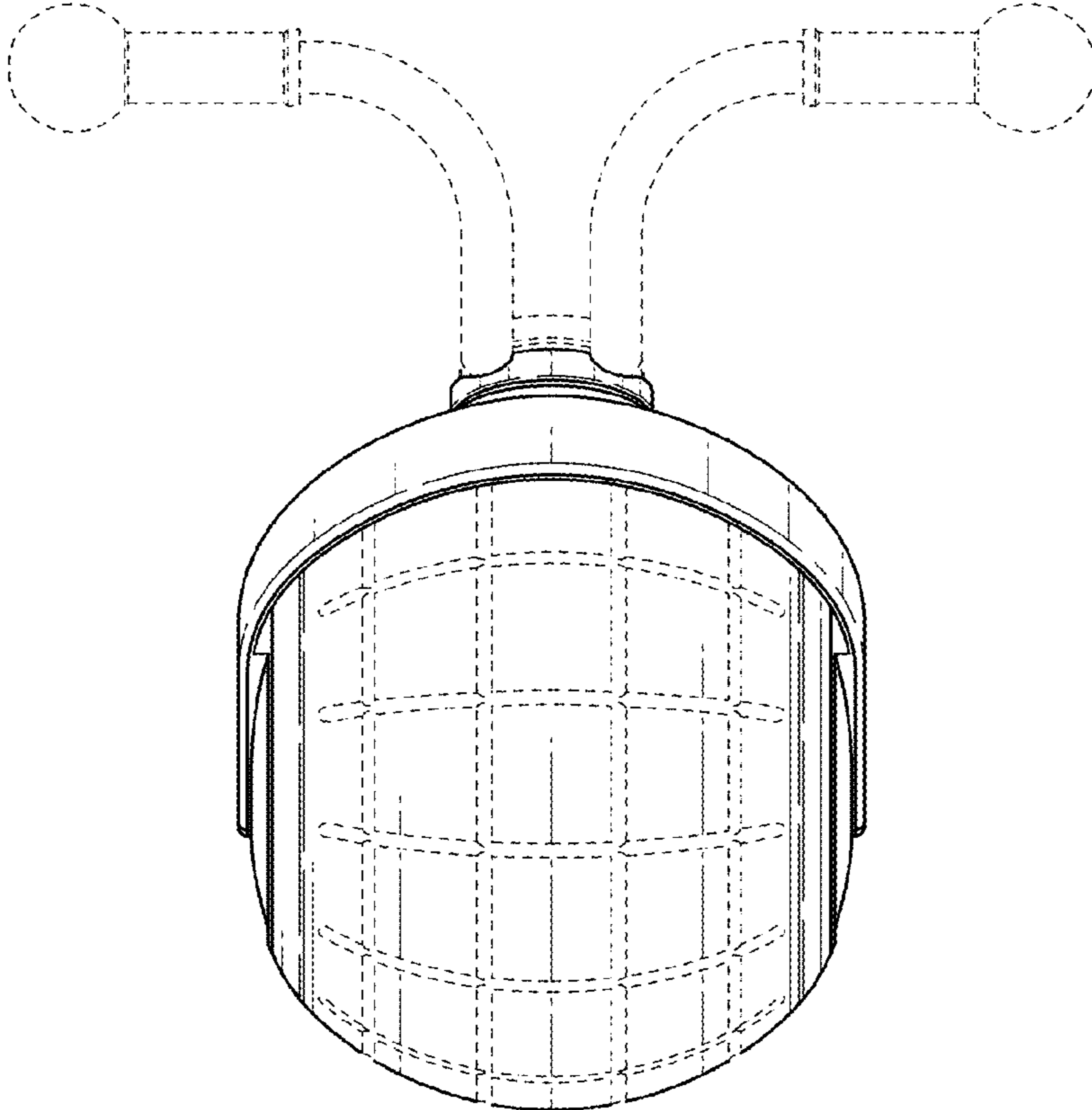


FIG. 2

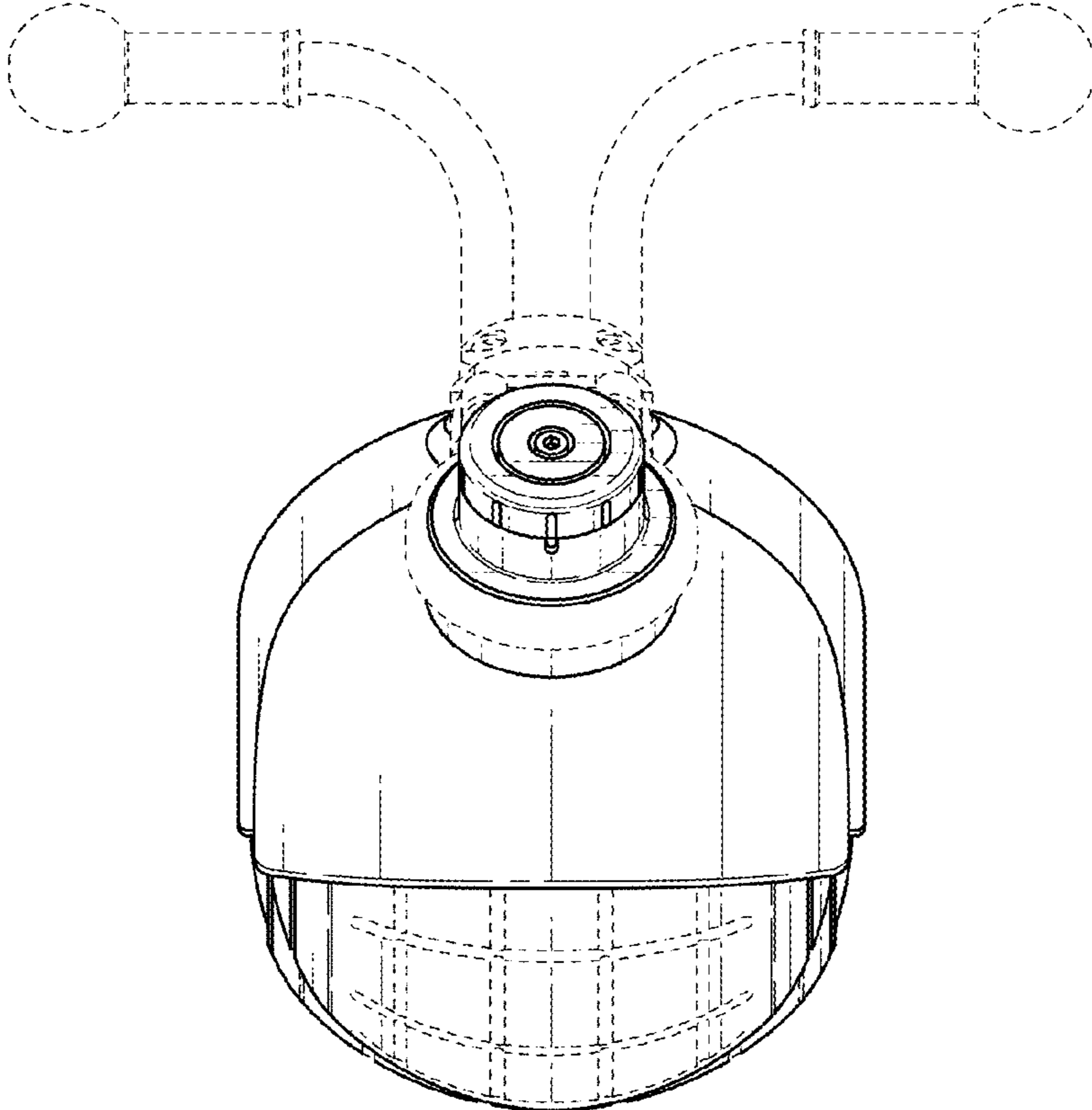


FIG. 3

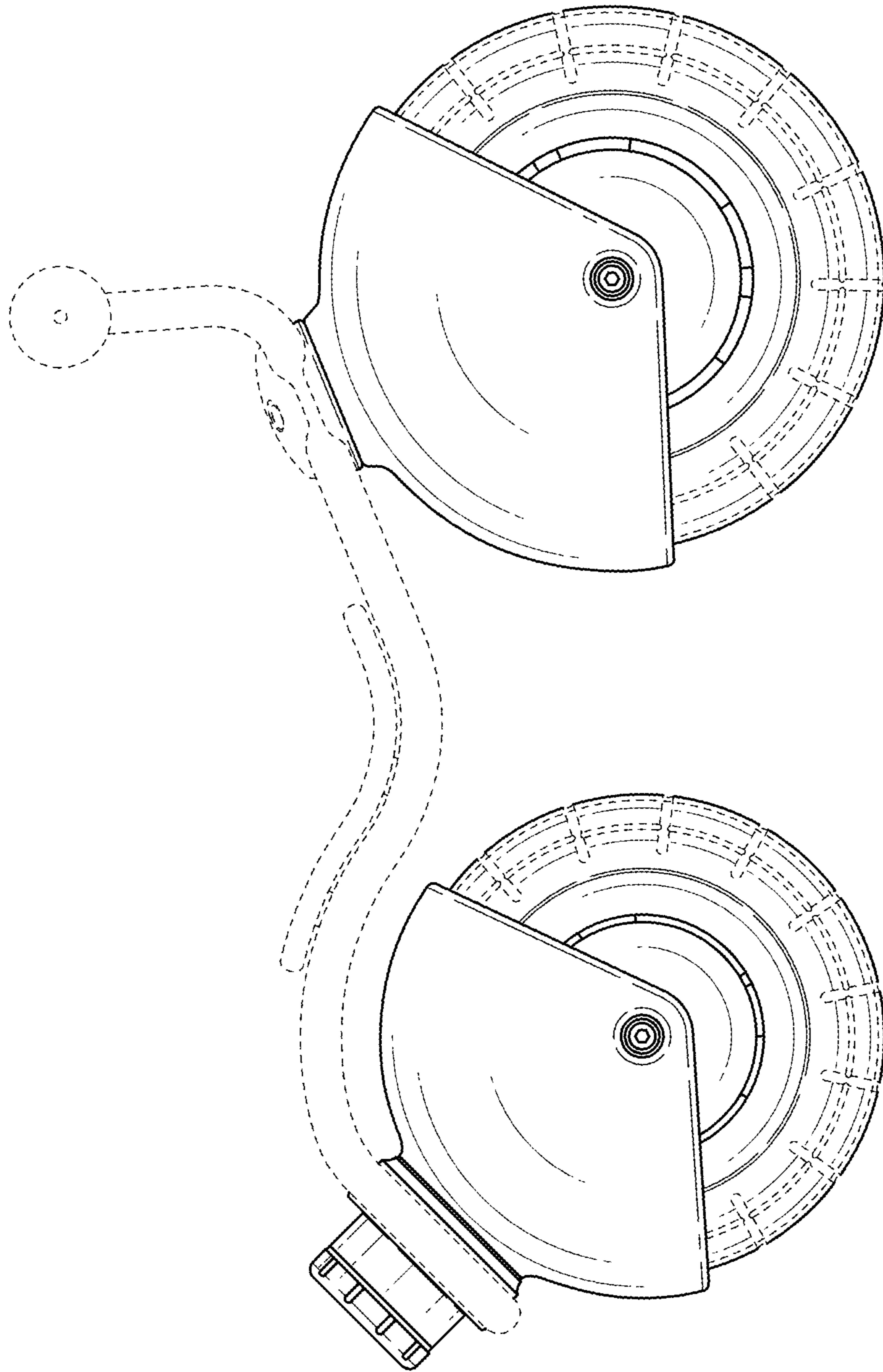


FIG. 4

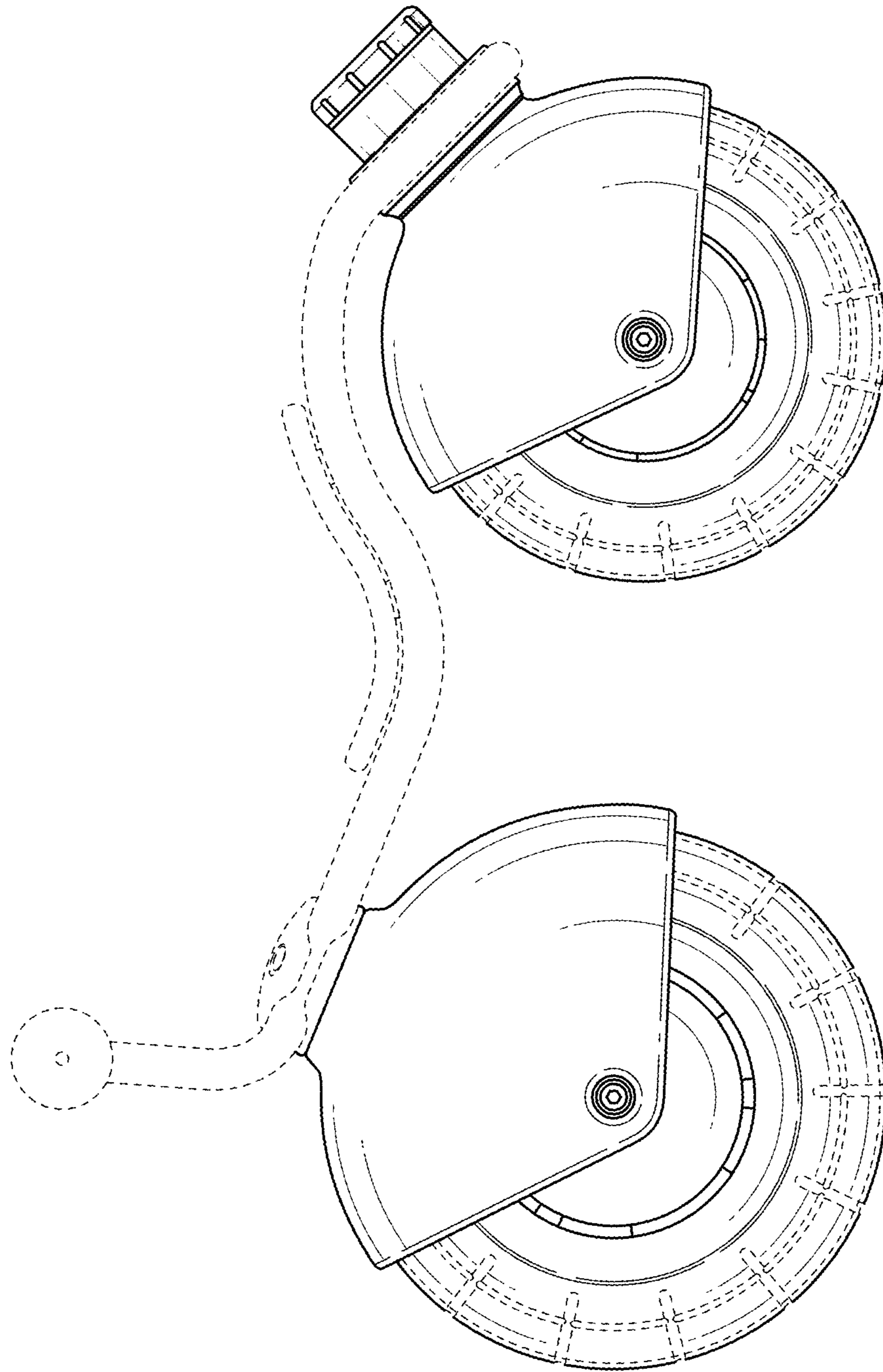


FIG. 5

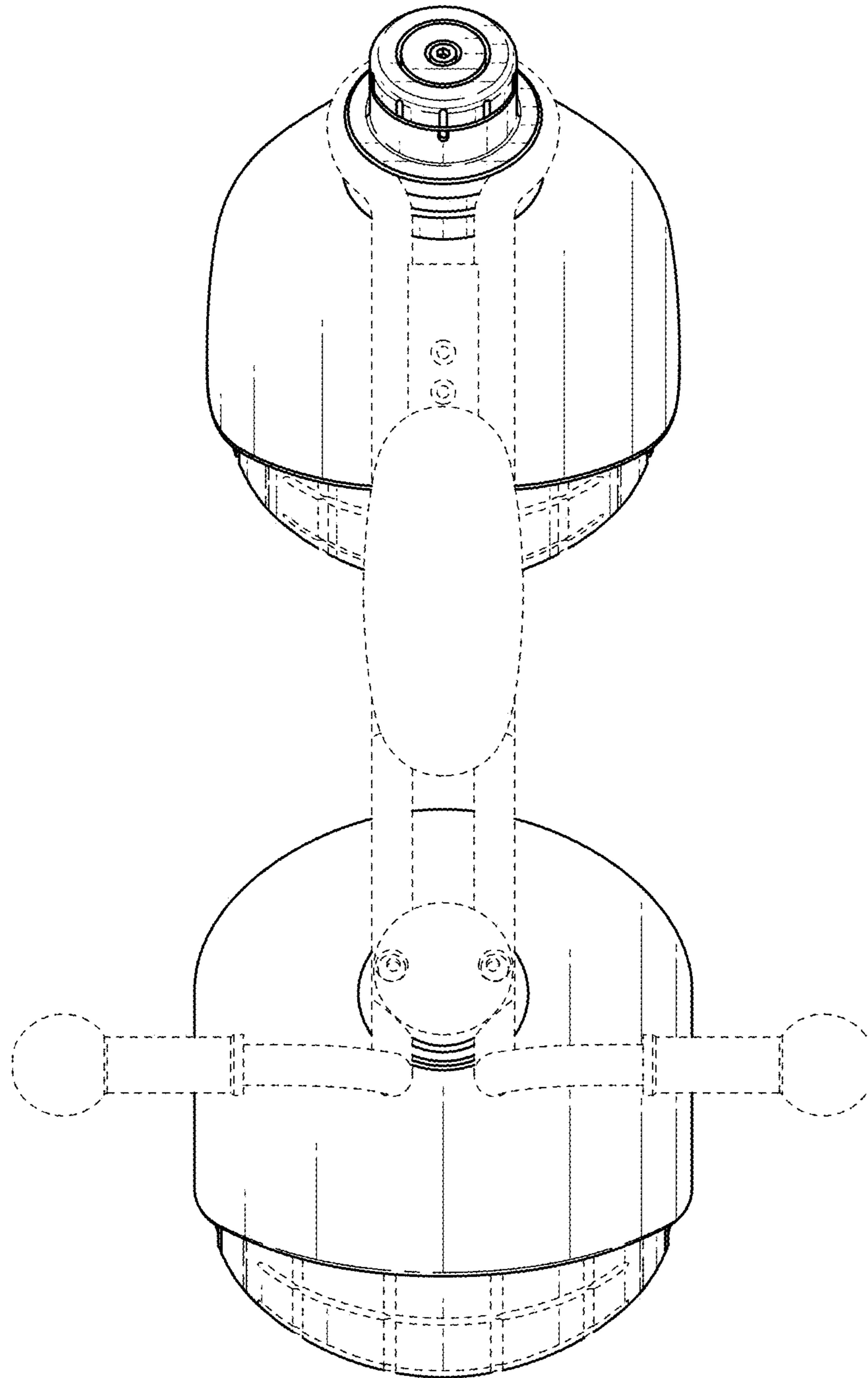


FIG. 6

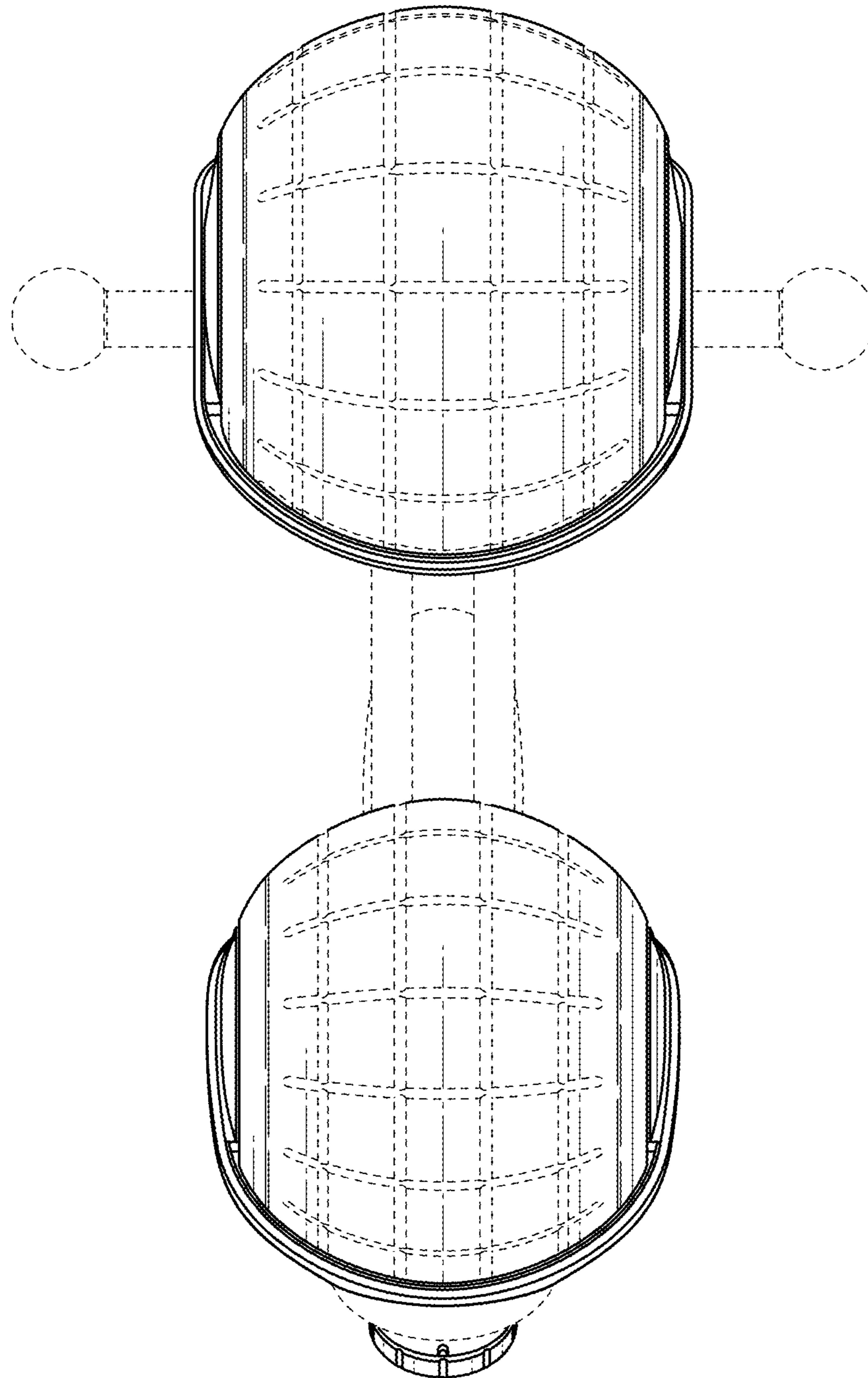


FIG. 7



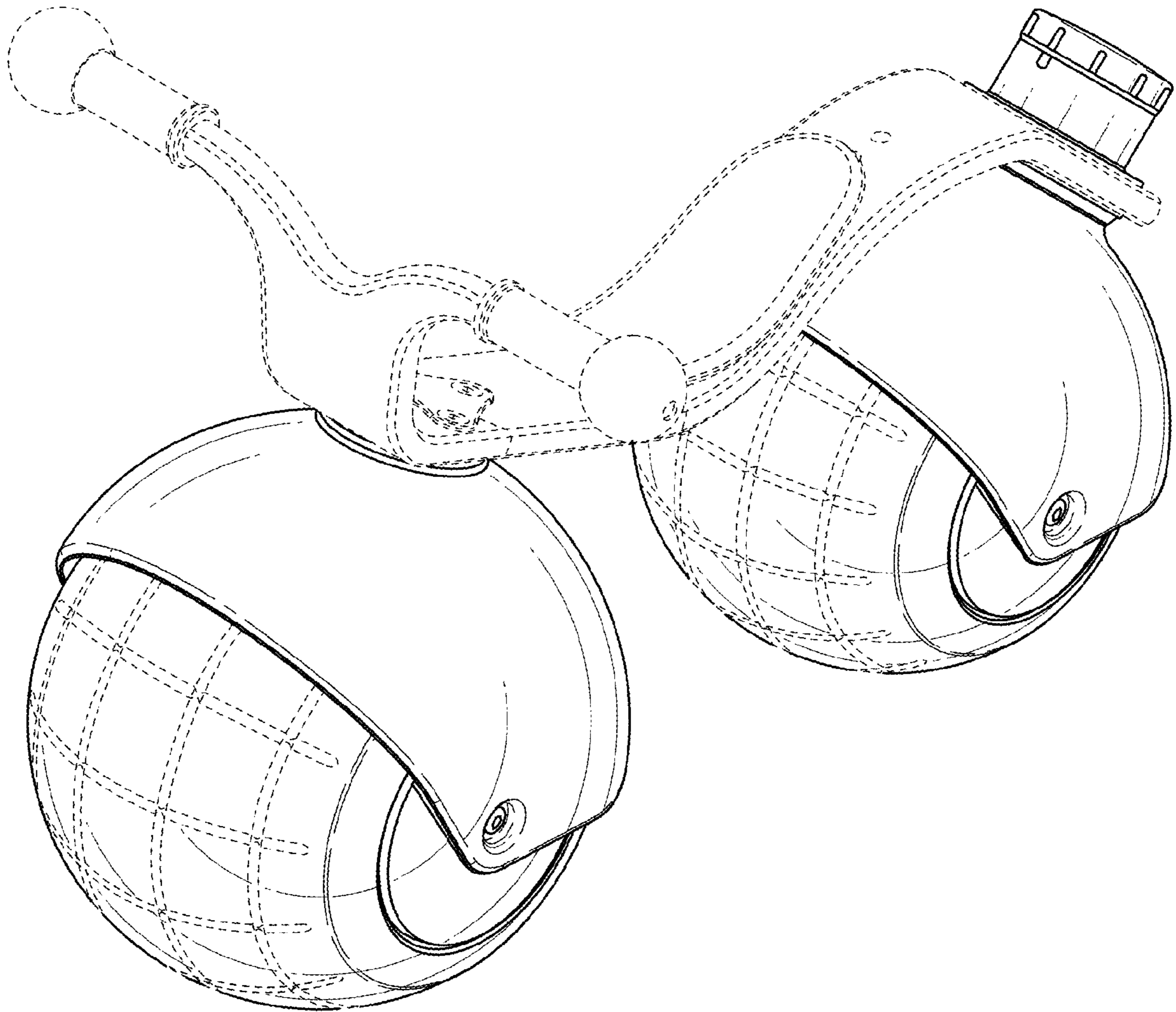


FIG. 8

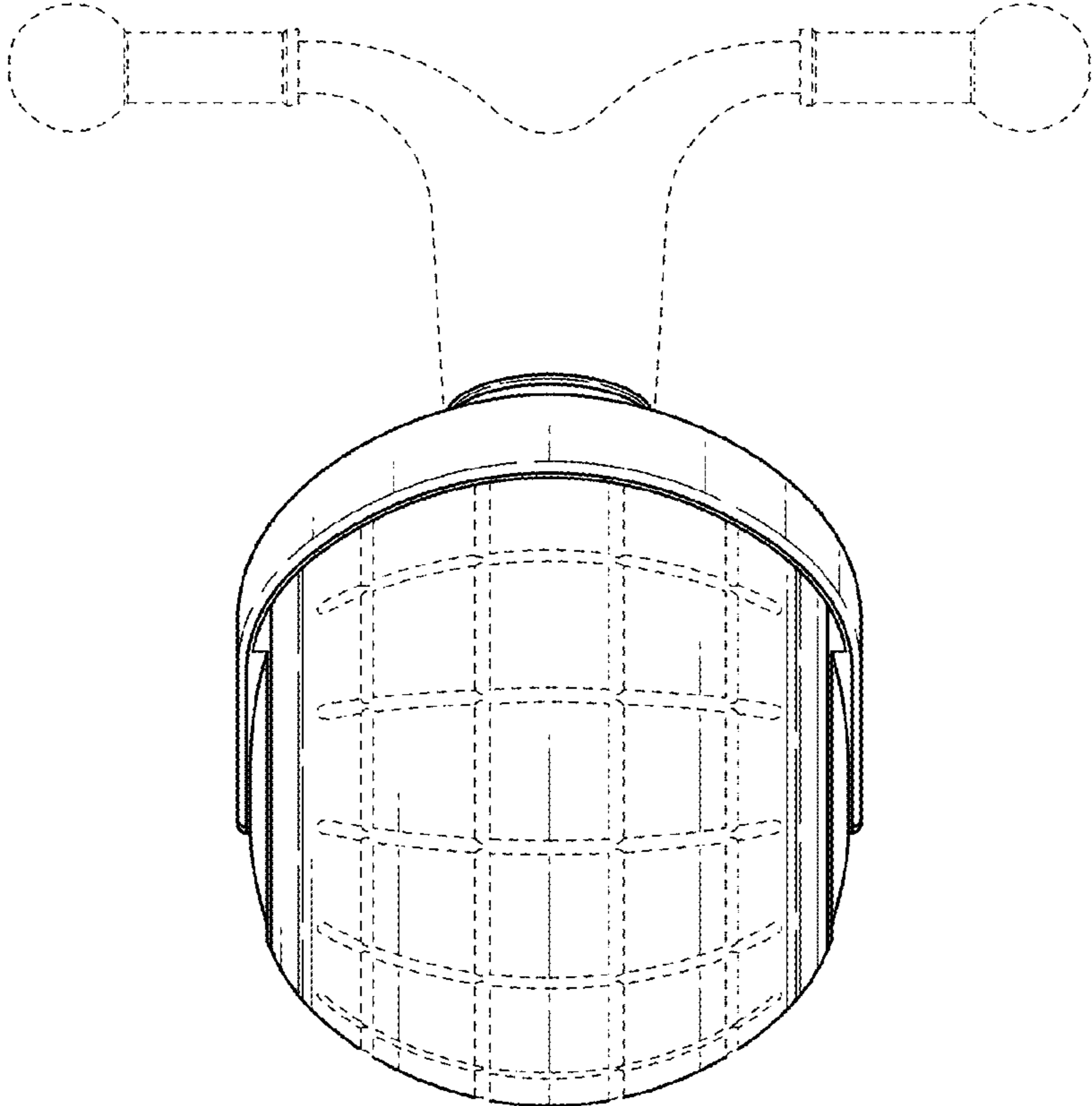


FIG. 9

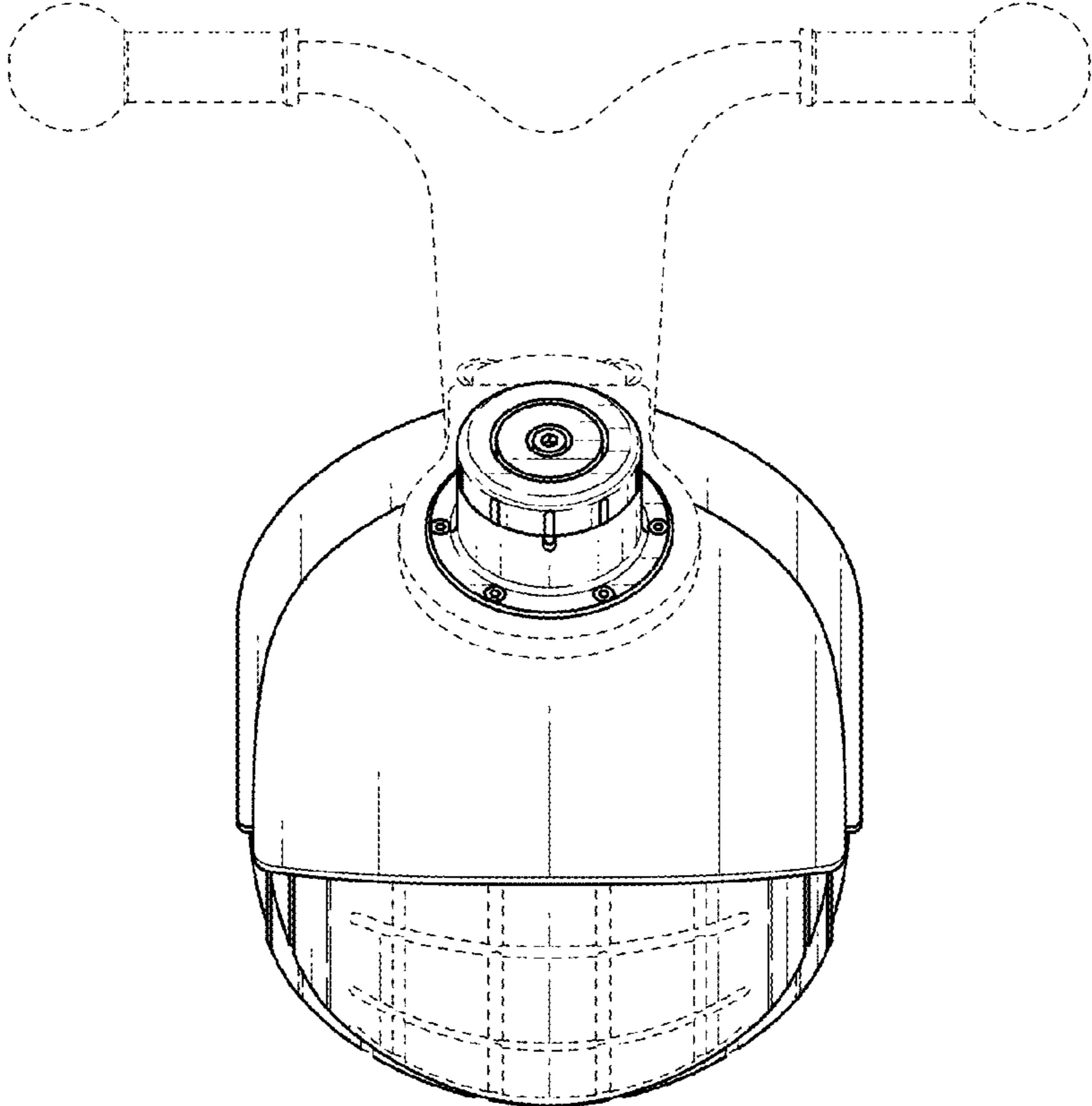


FIG. 10

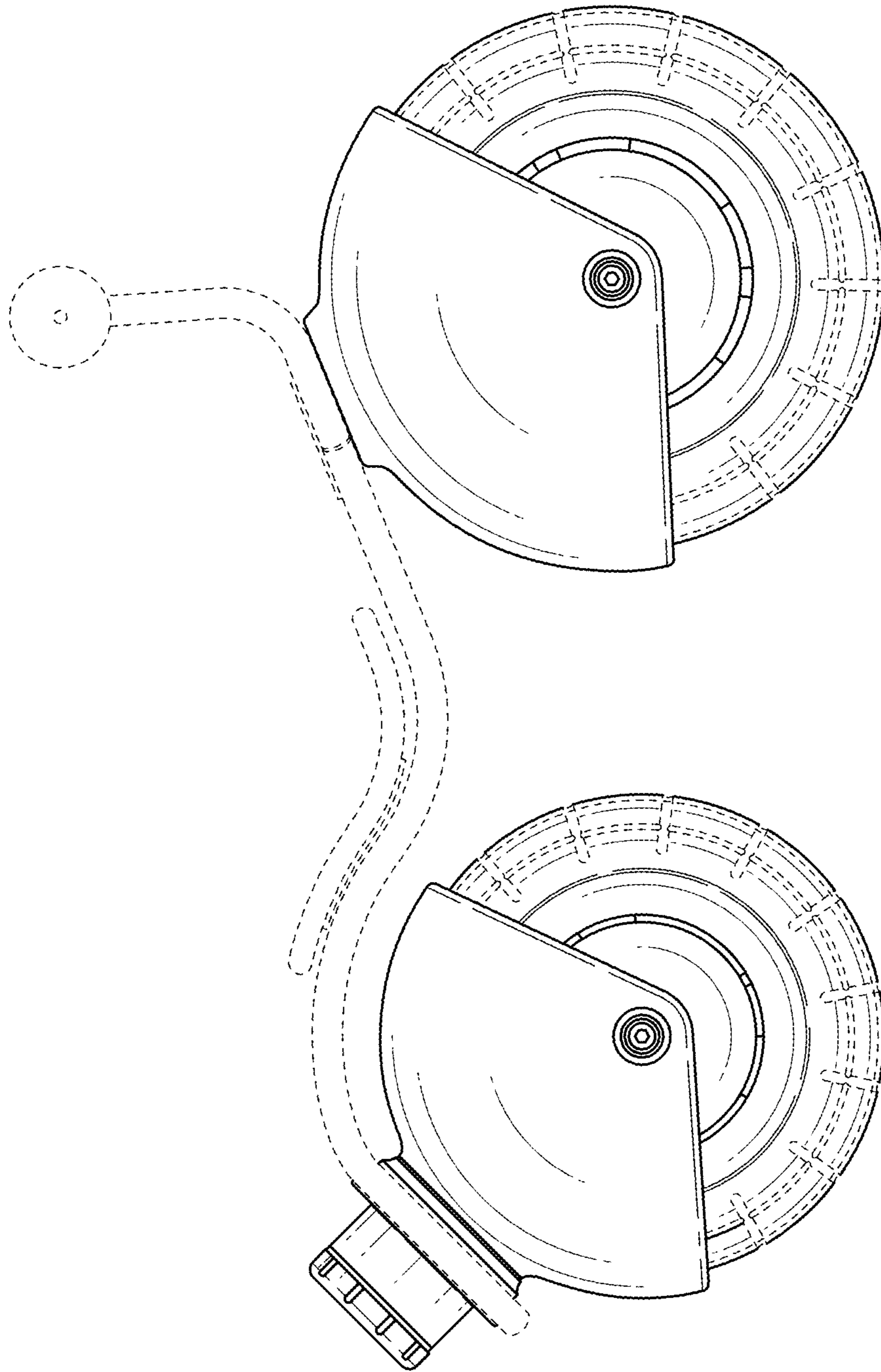


FIG. 11

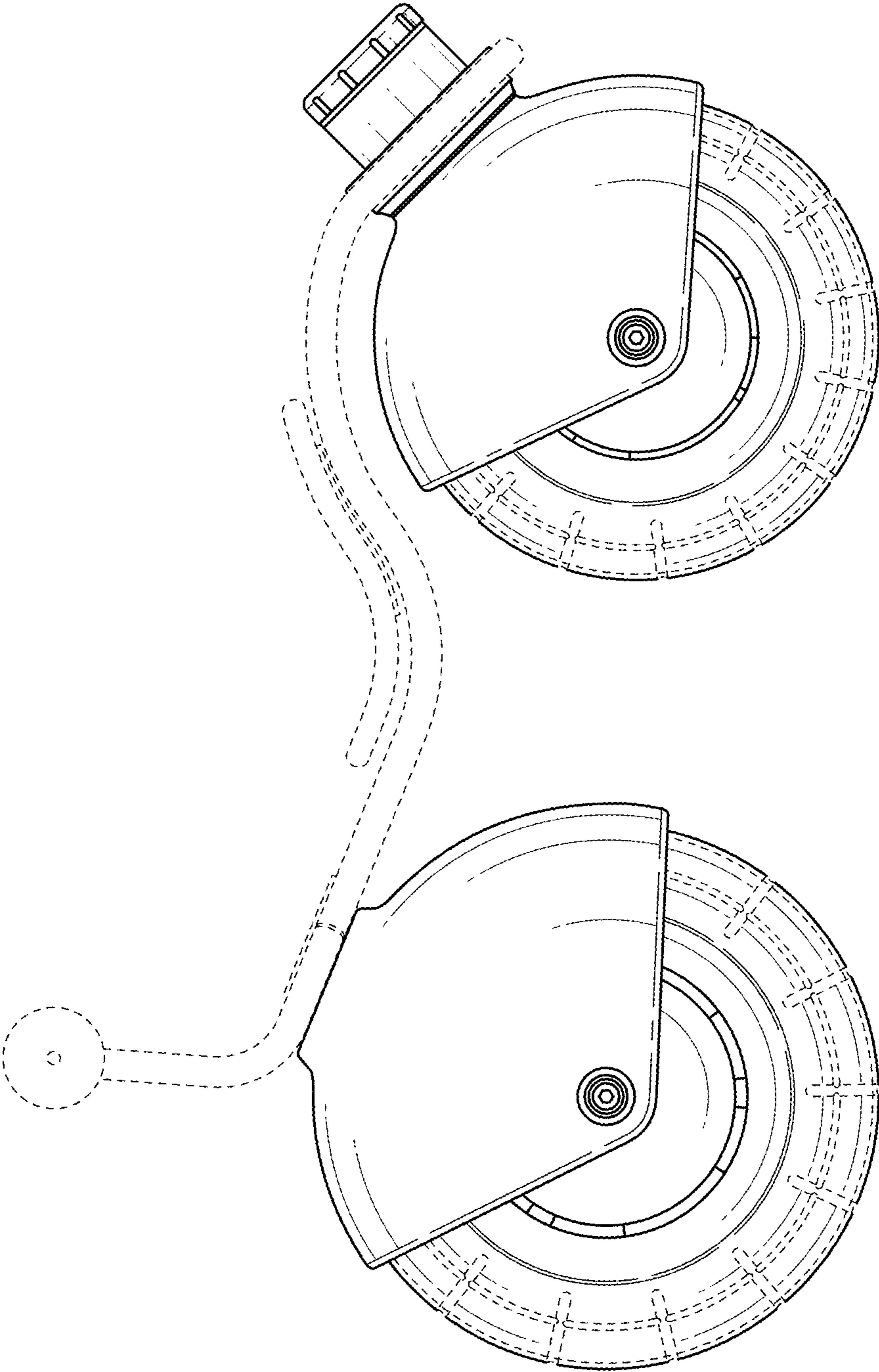


FIG. 12

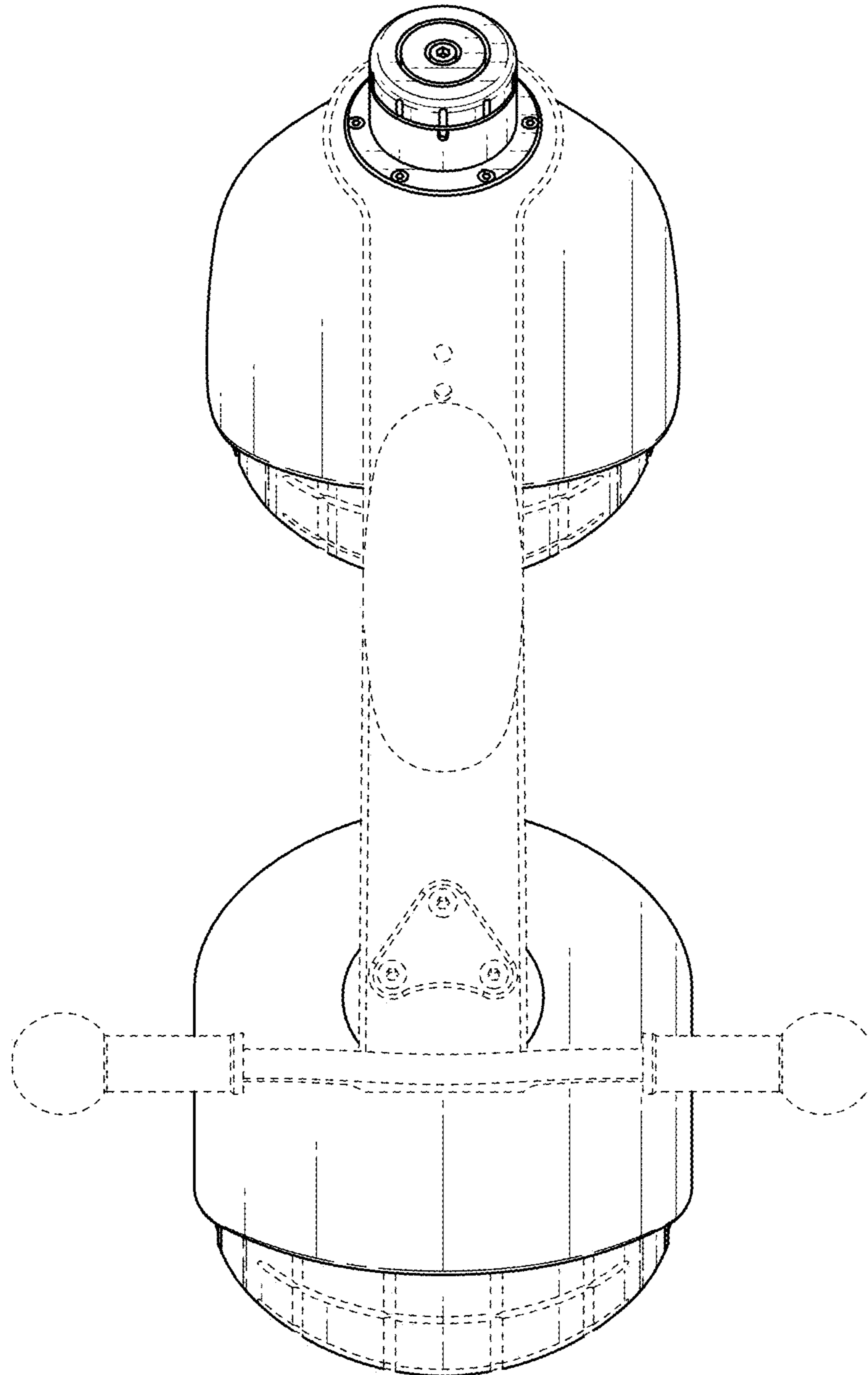


FIG. 13

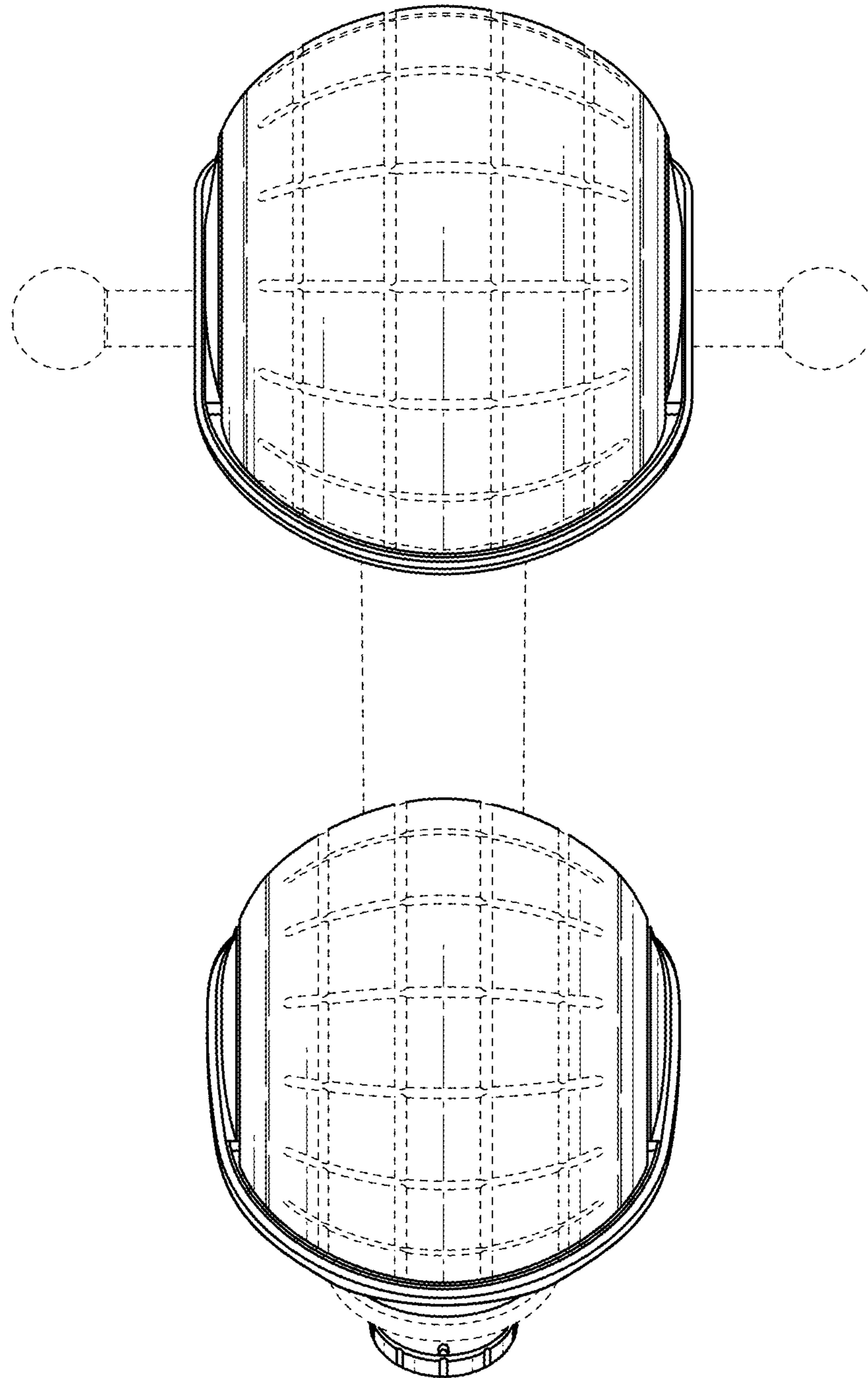


FIG. 14