



US00D973139S

(12) **United States Design Patent** (10) **Patent No.:** **US D973,139 S**
McGowan (45) **Date of Patent:** **** Dec. 20, 2022**

(54) **SCOOTER**

FOREIGN PATENT DOCUMENTS

(71) Applicant: **Yvolve Sports Ltd.**, Dublin (IE)

CN 203127076 U * 8/2013 B62K 21/16
CN 304738042 * 7/2018

(72) Inventor: **John McGowan**, Balbriggan (IE)

(Continued)

(73) Assignee: **YVOLVE SPORTS LTD.**, Dublin (IE)

OTHER PUBLICATIONS

(**) Term: **15 Years**

Jon M, "VHS Skateboard Decks Serious by 5Boro," Sep. 15, 2014, blog.iso50.com, site visited Apr. 1, 2022, URL: http://blog.iso50.com/category/graphic-design/page/2/ (Year: 2014).*

(21) Appl. No.: **29/741,267**

(Continued)

(22) Filed: **Jul. 10, 2020**

(51) **LOC (13) Cl.** **21-01**

(52) **U.S. Cl.**

USPC **D21/423**

(58) **Field of Classification Search**

USPC D21/419, 421, 423, 760, 763, 765, 771;
D12/1, 8, 107, 110, 112-114
CPC .. B62K 3/002; B62K 5/08; B62K 5/02; A63C
17/01; A63C 17/02; A63C 17/04; A63C
17/014; A63C 17/265
See application file for complete search history.

Primary Examiner — Eric L Goodman

Assistant Examiner — Sarah L Smith

(74) *Attorney, Agent, or Firm* — Aird & McBurney LP

(57) **CLAIM**

The ornamental design for a scooter, as shown and described.

(56) **References Cited**

DESCRIPTION

U.S. PATENT DOCUMENTS

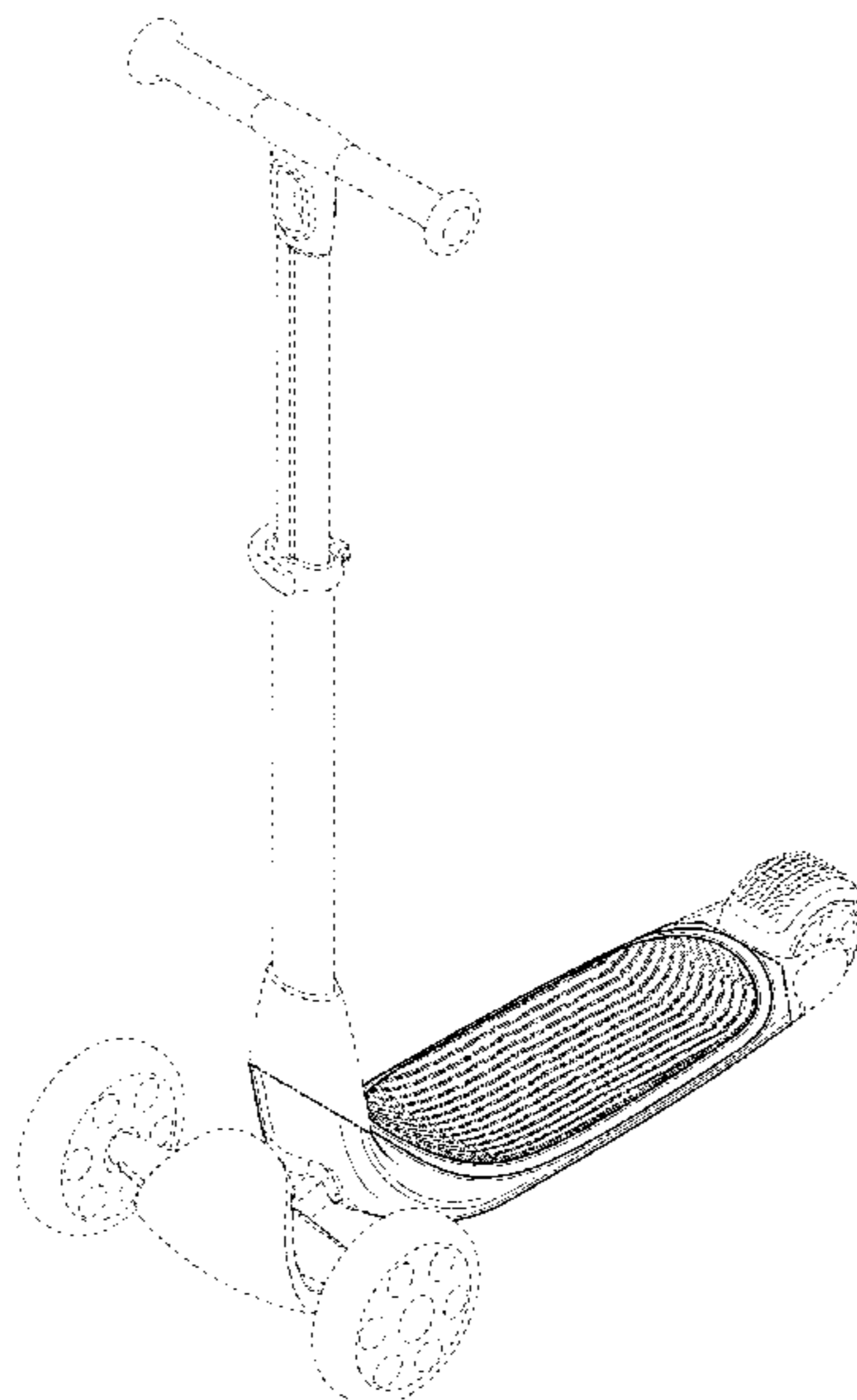
4,203,610 A * 5/1980 Mihalik B62K 3/002
280/87.041
D448,441 S * 9/2001 Wolf D21/760
6,428,022 B1 * 8/2002 Namiki A63C 17/016
280/268
6,802,636 B1 * 10/2004 Bailey, Jr. A63C 17/26
362/555
6,805,368 B1 * 10/2004 Chen B62K 3/002
280/87.041
D514,186 S * 1/2006 Hazlett D21/765
D530,384 S * 10/2006 Harrington A63C 17/26
D21/765
D564,037 S * 3/2008 Cramer D21/423
D641,799 S * 7/2011 Groeber D21/423
D648,402 S * 11/2011 Wang D21/423
D652,455 S * 1/2012 Groeber D21/423

FIG. 1 is a perspective view from above, to the front and to the left side of the new design for a scooter;
FIG. 2 is a perspective view from below, to the rear and to the right side thereof;
FIG. 3 is a front view thereof;
FIG. 4 is a rear view thereof;
FIG. 5 is a right side view thereof;
FIG. 6 is a left side view thereof;
FIG. 7 is a top plan view thereof; and,
FIG. 8 is a bottom plan view thereof.

In the drawings, the broken lines are for the purpose of illustrating portions of the article that form no part of the claimed design. The dash-dot broken lines represent the bounds of the claim which form no part of the claimed design.

(Continued)

1 Claim, 8 Drawing Sheets



(56)

References Cited

U.S. PATENT DOCUMENTS

D725,733 S * 3/2015 Norman D21/765
D728,033 S * 4/2015 O'connell D21/423
D738,435 S * 9/2015 O'connell D21/423
D768,252 S * 10/2016 Bigler D21/760
10,137,955 B1 * 11/2018 Wu B62K 3/002
D860,330 S * 9/2019 Xu D21/423
D879,884 S * 3/2020 Desberg D21/423
D879,897 S * 3/2020 Yang D21/765
D884,085 S * 5/2020 Li D21/423
D898,833 S * 10/2020 Mazoyer D21/423
D908,807 S * 1/2021 Wang D21/423
D911,457 S * 2/2021 Yu B62K 3/002
D914,105 S * 3/2021 Mazoyer A63C 17/265
D918,305 S * 5/2021 Fan D21/423
D921,764 S * 6/2021 Zhang D21/423
D923,714 S * 6/2021 Shen D21/423
D923,715 S * 6/2021 Wang D21/423
D943,030 S * 2/2022 Chen D21/423
2005/0258609 A1 * 11/2005 Yeh B62B 13/04
280/14.27
2007/0047216 A1 * 3/2007 Piazzolla A63C 17/26
362/34

2008/0029984 A1 * 2/2008 Hong B62K 21/12
280/87.041
2018/0185739 A1 * 7/2018 McGowan A63C 17/265
2020/0283086 A1 * 9/2020 Ulmen B62K 11/14

FOREIGN PATENT DOCUMENTS

CN 305228252 * 6/2019
CN 305265826 * 7/2019
CN 213262794 U * 5/2021
EP 2444307 A1 * 4/2012 B62K 3/002
WO WO-2015192773 A1 * 12/2015 B62K 15/00
WO WO-2016034975 A1 * 3/2016 B62H 7/00
WO D200611-001 * 5/2019

OTHER PUBLICATIONS

Jon M, "VHS Skateboard Decks Series by 5Boro," Sep. 15, 2014, blog.iso50.com, site visited Apr. 1, 2022, URL: <http://blog.iso50.com/category/graphic-design/page/2/> (Year: 2014).*
"Mongoose 12" Expo Scooter," Aug. 25, 2016, amazon.com, site visited Jun. 14, 2022, URL: <https://www.amazon.com/Mongoose-Scooter-features-accents-Actual/dp/B01L0KNN08> (Year: 2016).*
"Razor Worldwide," Aug. 31, 2019, facebook.com, site visited Jun. 14, 2022, URL: <https://www.facebook.com/RazorWorldwide/photos/2413525565404660> (Year: 2019).*

* cited by examiner

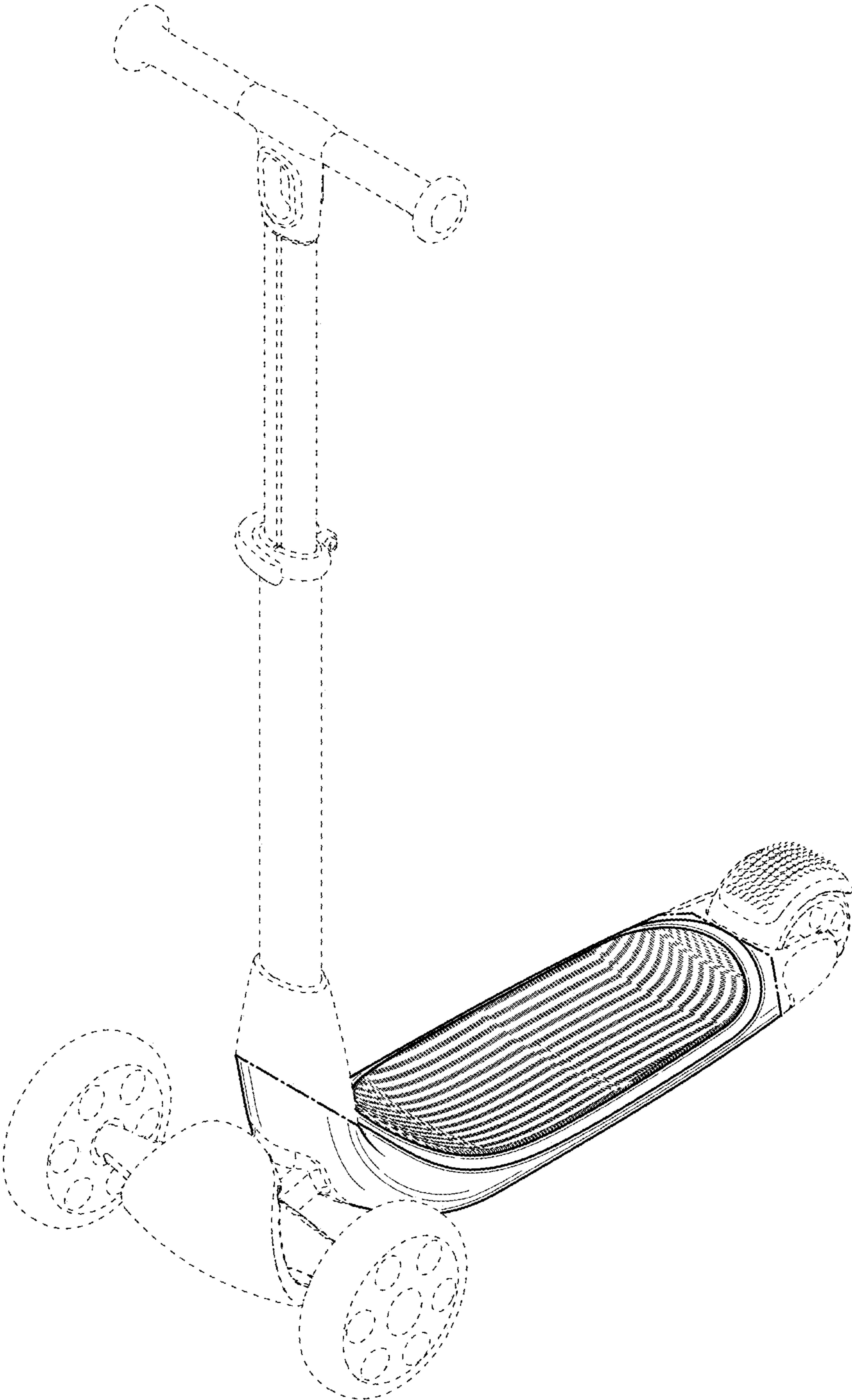


FIG. 1

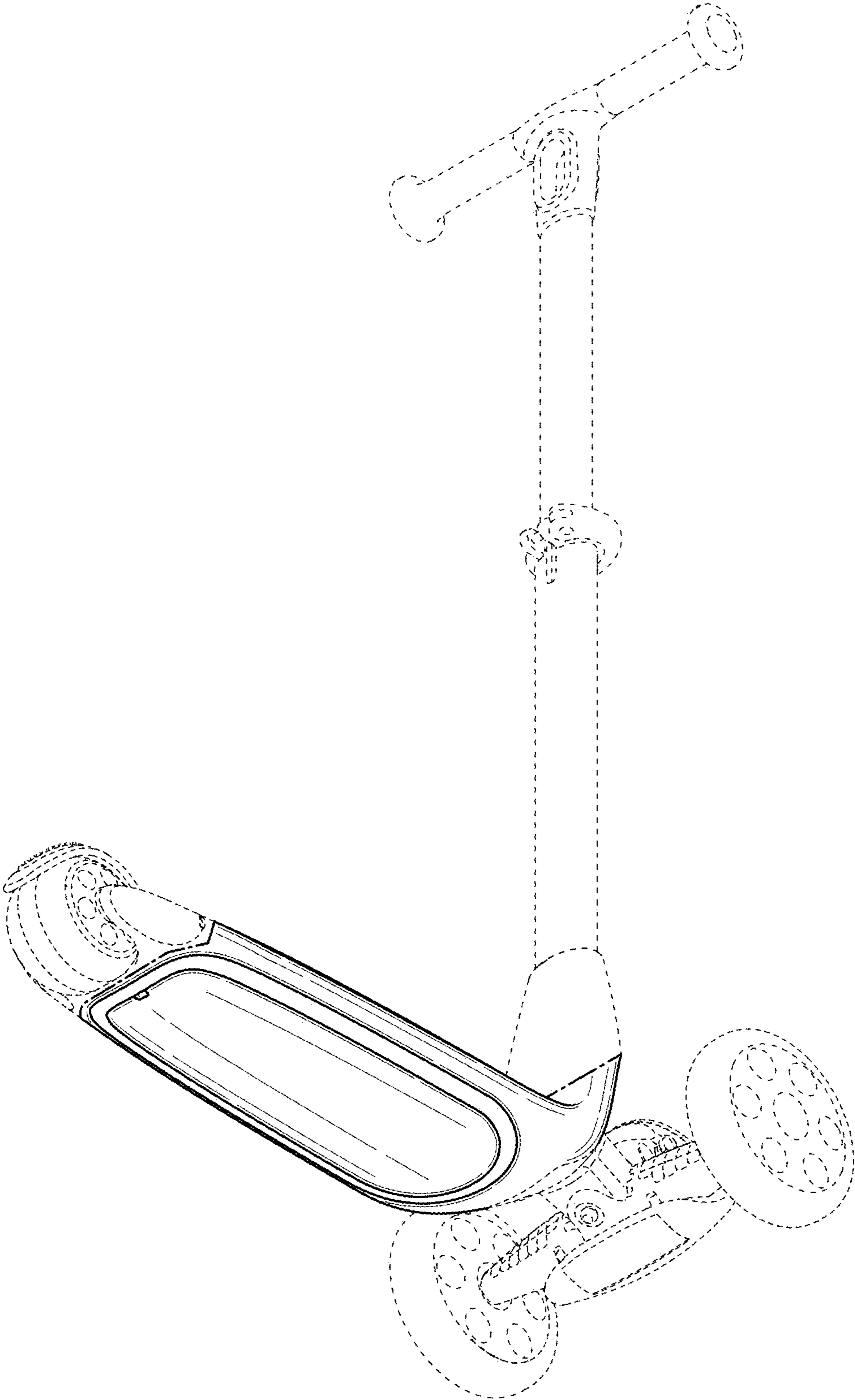


FIG. 2

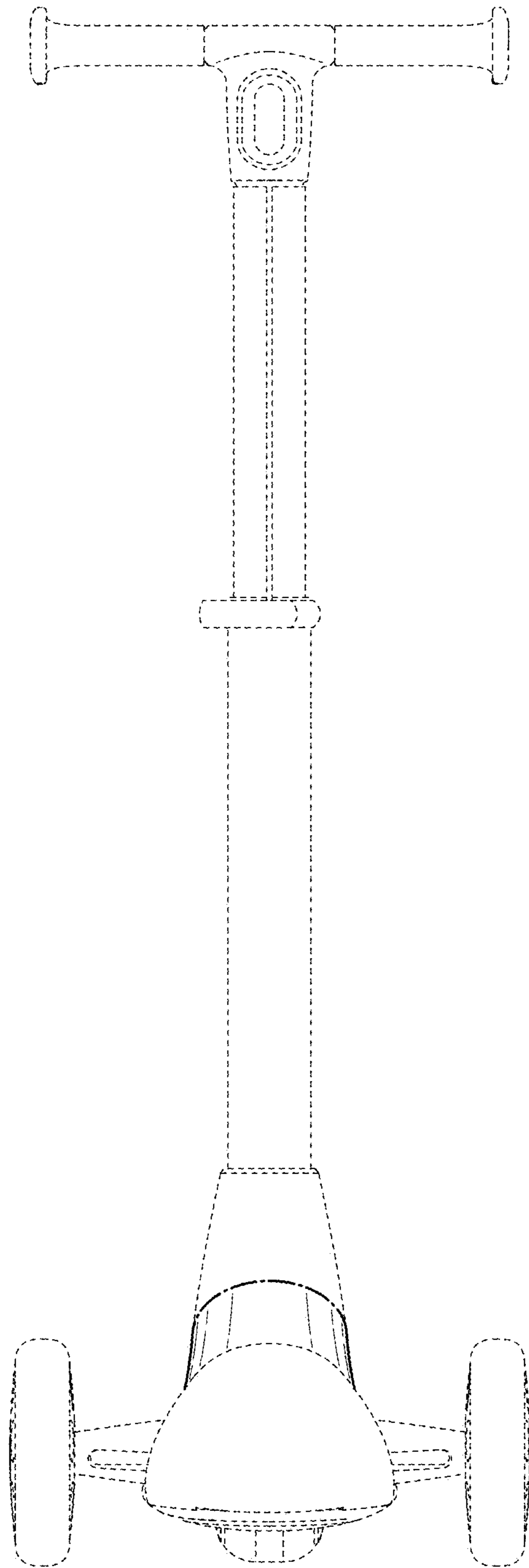


FIG. 3

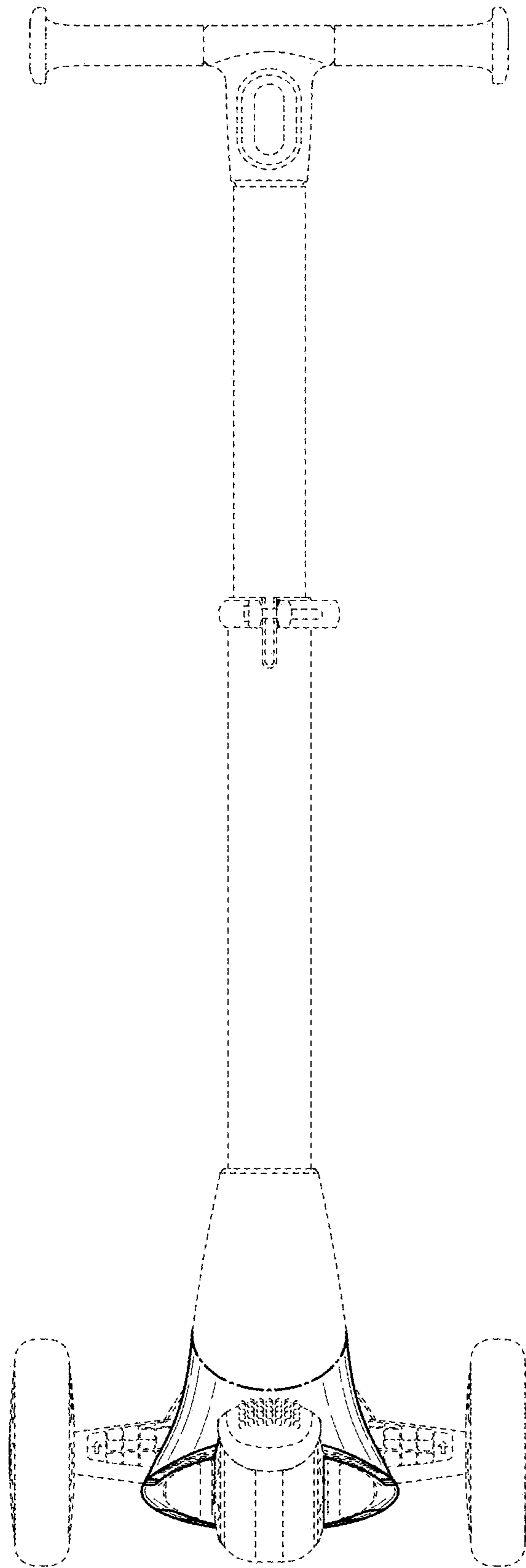


FIG. 4

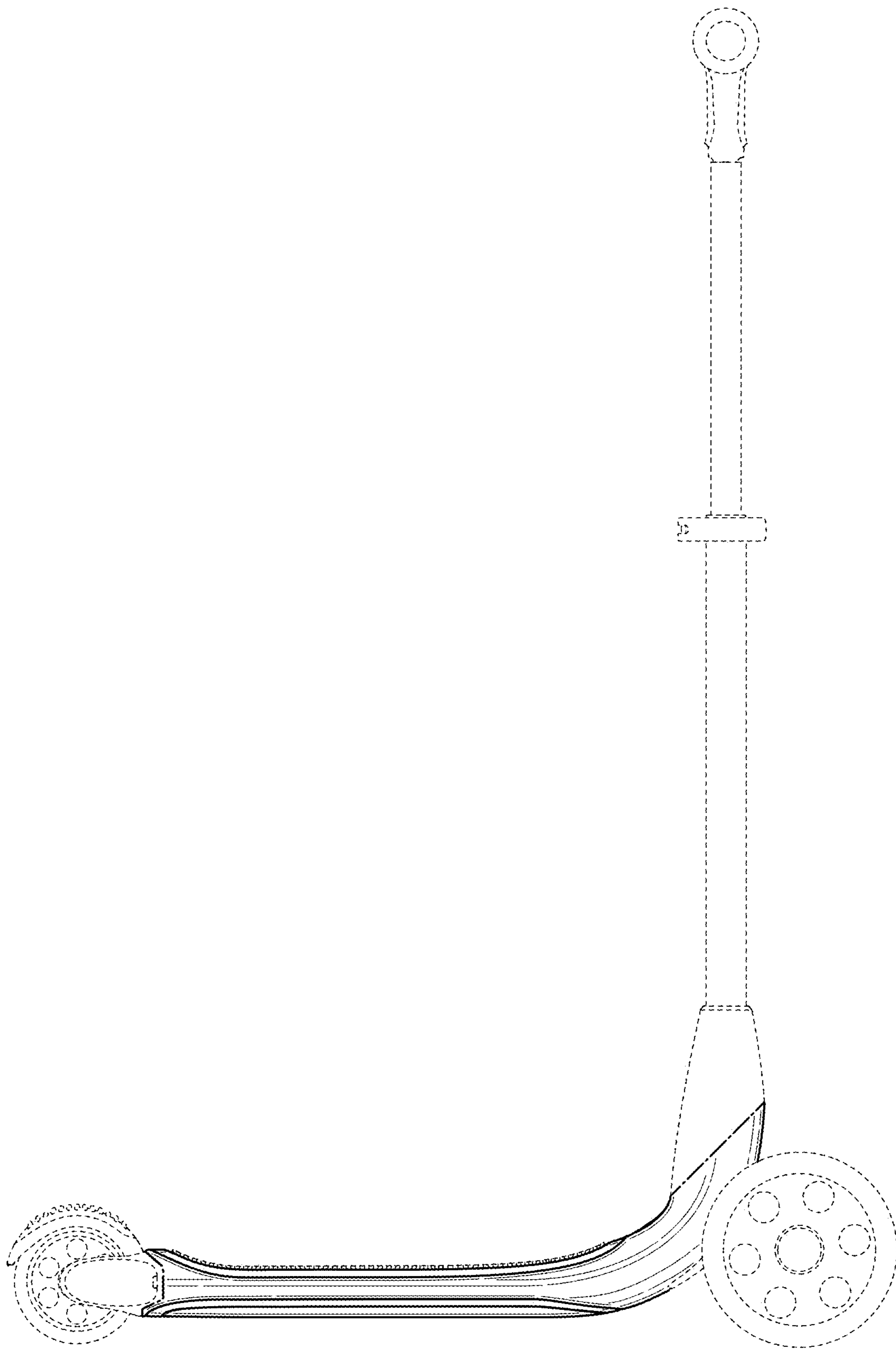


FIG. 5

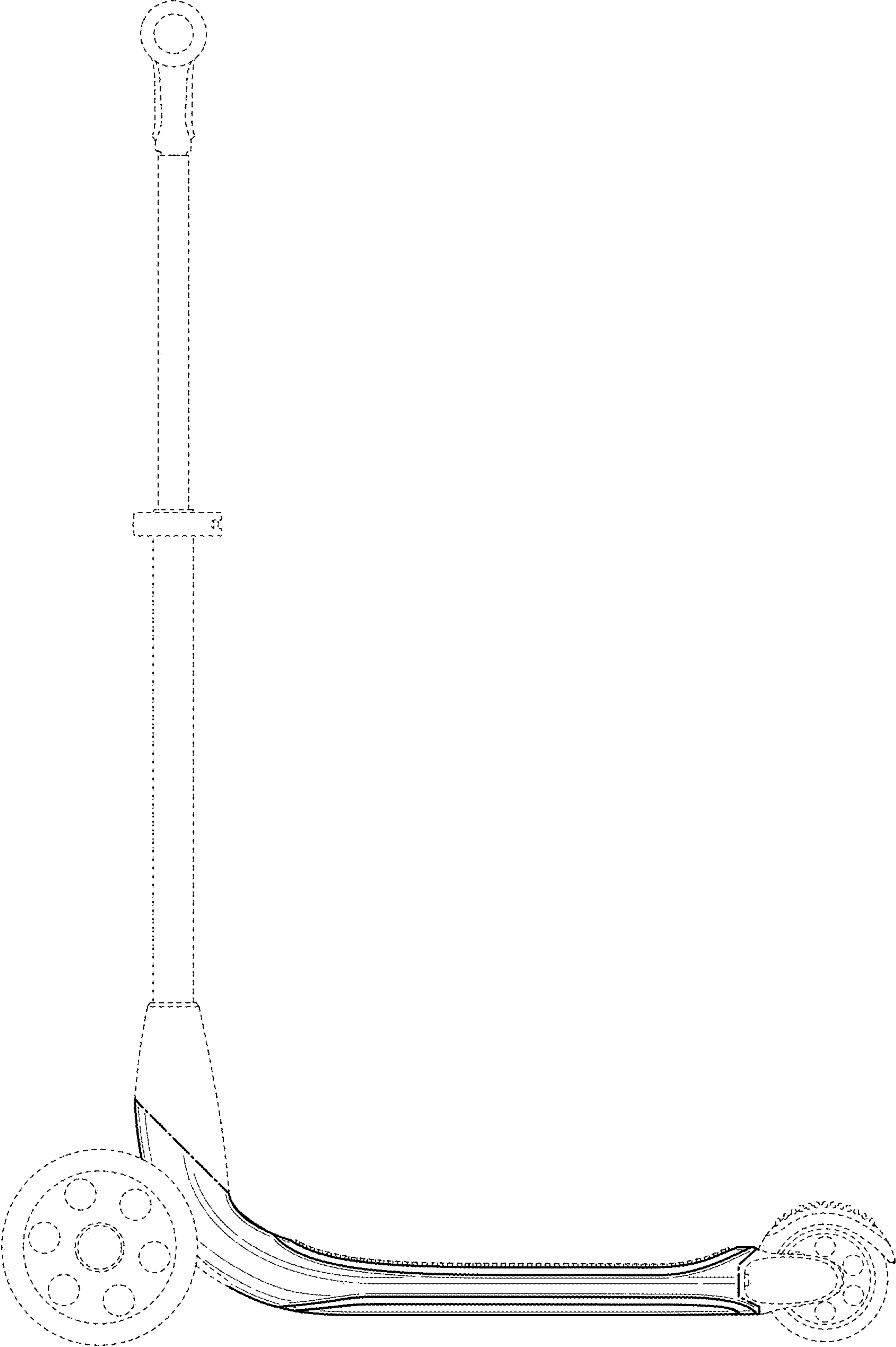


FIG. 6

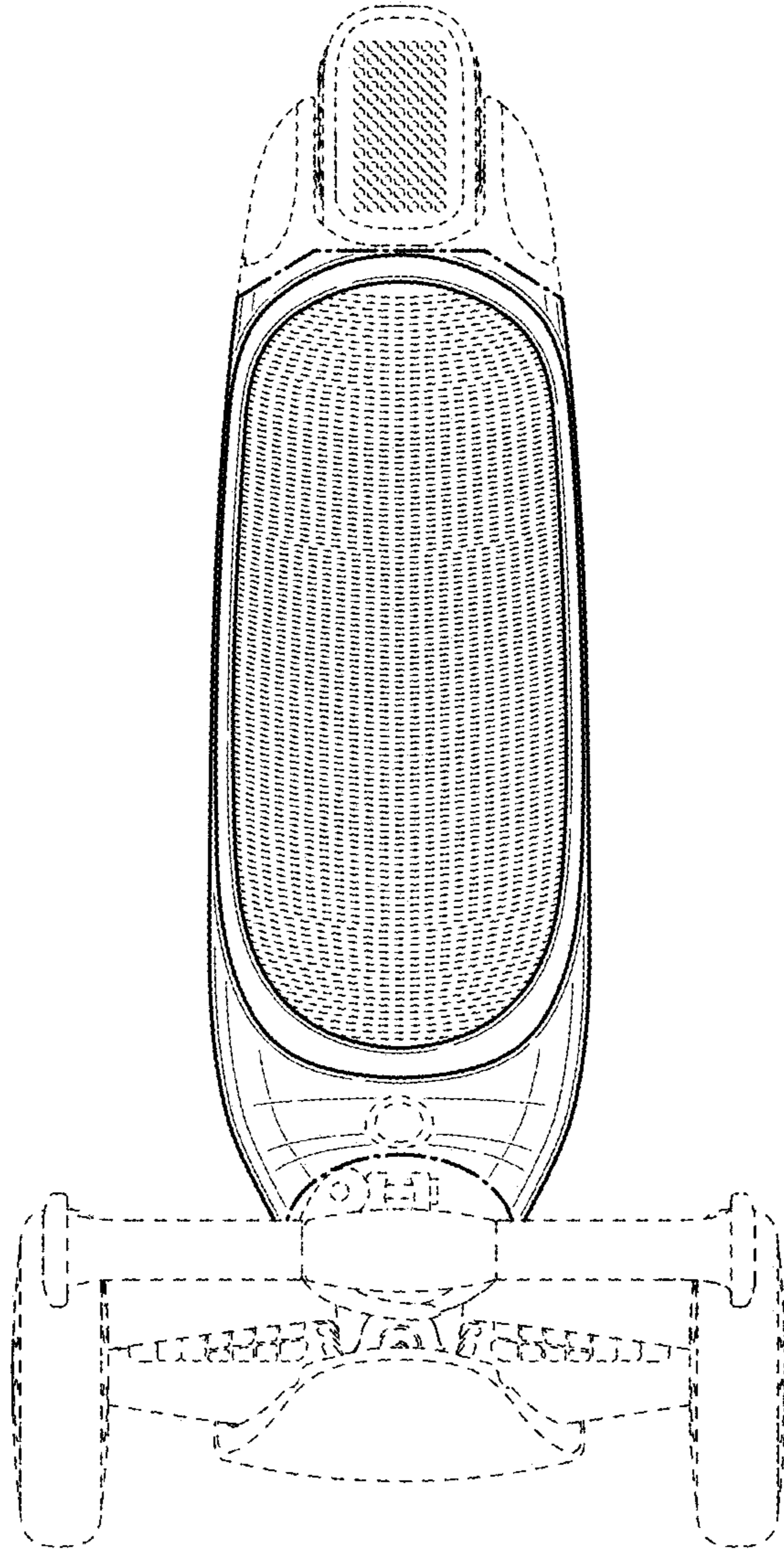


FIG. 7

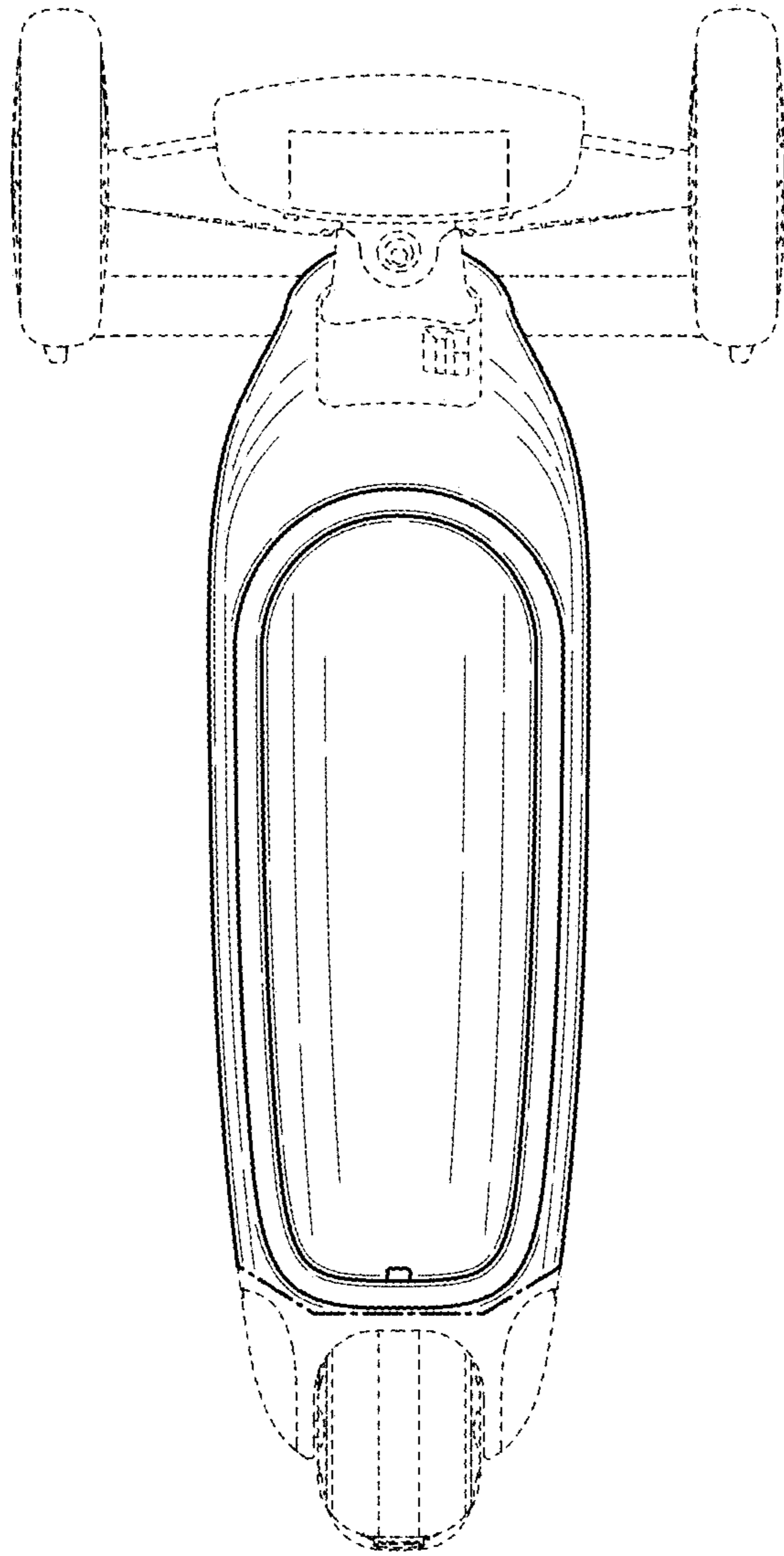


FIG. 8