



US00D973135S

(12) **United States Design Patent** (10) **Patent No.:** **US D973,135 S**
Peeters et al. (45) **Date of Patent:** **** Dec. 20, 2022**

(54) **SHIP GAME BOARD SET**
(71) Applicant: **SMART N.V.**, Kontich (BE)
(72) Inventors: **Raf Peeters**, Lier (BE); **Leighton Meredith Rees**, Cirencester (GB)

D897,449 S * 9/2020 Xu D21/392
D911,448 S * 2/2021 Peeters D21/478
D911,449 S * 2/2021 Peeters D21/342
D911,450 S * 2/2021 Peeters D21/336
D912,156 S * 3/2021 Peeters D21/342

(Continued)

(73) Assignee: **SMART N.V.**, Kontich (BE)

Primary Examiner — Mehri F Bajoul
(74) *Attorney, Agent, or Firm* — Hodgson Russ LLP

(**) Term: **15 Years**

(57) **CLAIM**

(21) Appl. No.: **29/796,938**

The ornamental design for a ship game board set, as shown and described.

(22) Filed: **Jun. 28, 2021**

DESCRIPTION

(30) **Foreign Application Priority Data**

Dec. 31, 2020 (EM) 008375224-0001

(51) **LOC (13) Cl.** **21-01**

(52) **U.S. Cl.**
USPC **D21/385**

(58) **Field of Classification Search**
USPC D21/300, 29, 334, 335, 336, 337, 341,
D21/342, 348, 349, 350, 360, 369, 370,
D21/385, 333, 310, 329; D16/106;
273/281, 287
CPC A63F 3/00261; A63F 2003/0082; A63F
2003/00264; A63F 3/00574; A63F
3/0023; A63F 3/0052; A63F 9/06; A63F
9/0073; A63F 3/00634; A63F 9/1044;
A63F 9/1204
See application file for complete search history.

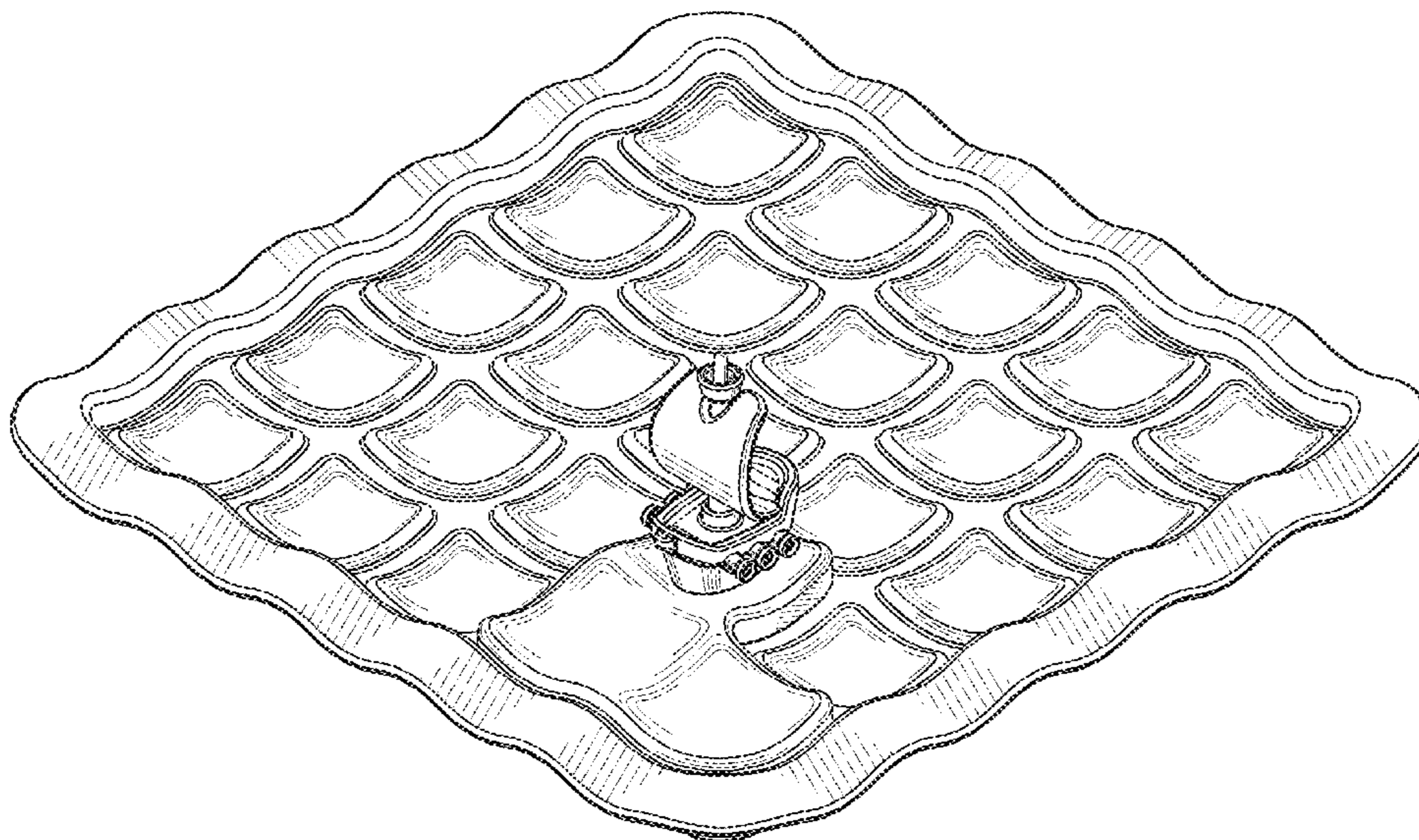
FIG. 1 is a perspective view of a ship game board set, including a ship game piece and a ship game board, showing our new design;
FIG. 2 is a front-top-right perspective view of the ship game piece of the ship game board set of FIG. 1, shown separately for ease of illustration;
FIG. 3 is right side elevation view thereof;
FIG. 4 is a left side elevation view thereof;
FIG. 5 is front elevation view thereof;
FIG. 6 is a rear elevation view thereof;
FIG. 7 is a top plan view thereof;
FIG. 8 is a bottom plan view thereof;
FIG. 9 is a front-bottom-right perspective view thereof;
FIG. 10 is a top perspective view of the ship game board of the ship game board set of FIG. 1, shown separately for ease of illustration;
FIG. 11 is a right side elevation view thereof;
FIG. 12 is a left side elevation view thereof;
FIG. 13 is a front elevation view thereof;
FIG. 14 is a rear elevation view thereof;
FIG. 15 is a top plan view thereof;
FIG. 16 is a bottom plan view thereof; and,
FIG. 17 is a bottom perspective view thereof.
The broken lines in the drawings depict portions of the ship game board set that form no part of the claimed design.

(56) **References Cited**

U.S. PATENT DOCUMENTS

D248,680 S * 7/1978 Waski D21/385
D273,598 S * 4/1984 Fowle D21/310
D601,206 S * 9/2009 Skoger D21/385
D656,201 S * 3/2012 Perrin D21/335
D692,064 S * 10/2013 Kim D21/385
D844,064 S * 3/2019 Harron D21/385

1 Claim, 13 Drawing Sheets



(56)

References Cited

U.S. PATENT DOCUMENTS

D915,520 S	*	4/2021	Peeters	D21/360
D915,522 S	*	4/2021	Rees	D21/360
D916,197 S	*	4/2021	Peeters	D21/360
D926,258 S	*	7/2021	Peeters	D21/340
D936,746 S	*	11/2021	Peeters	D21/360
D937,352 S	*	11/2021	Peeters	D21/334
D937,353 S	*	11/2021	Peeters	D21/360
D942,548 S	*	2/2022	Peeters	D21/360

* cited by examiner

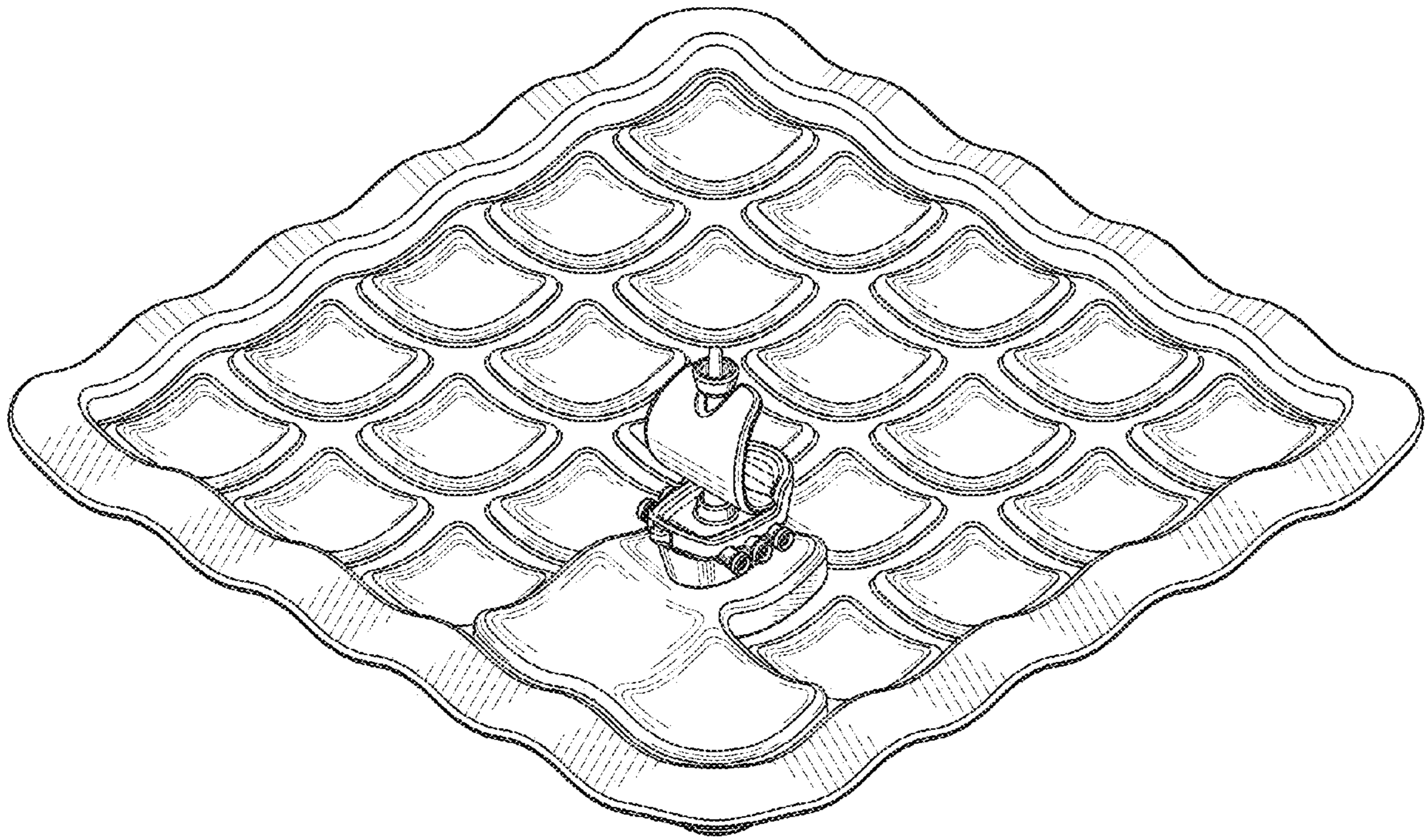


FIG. 1

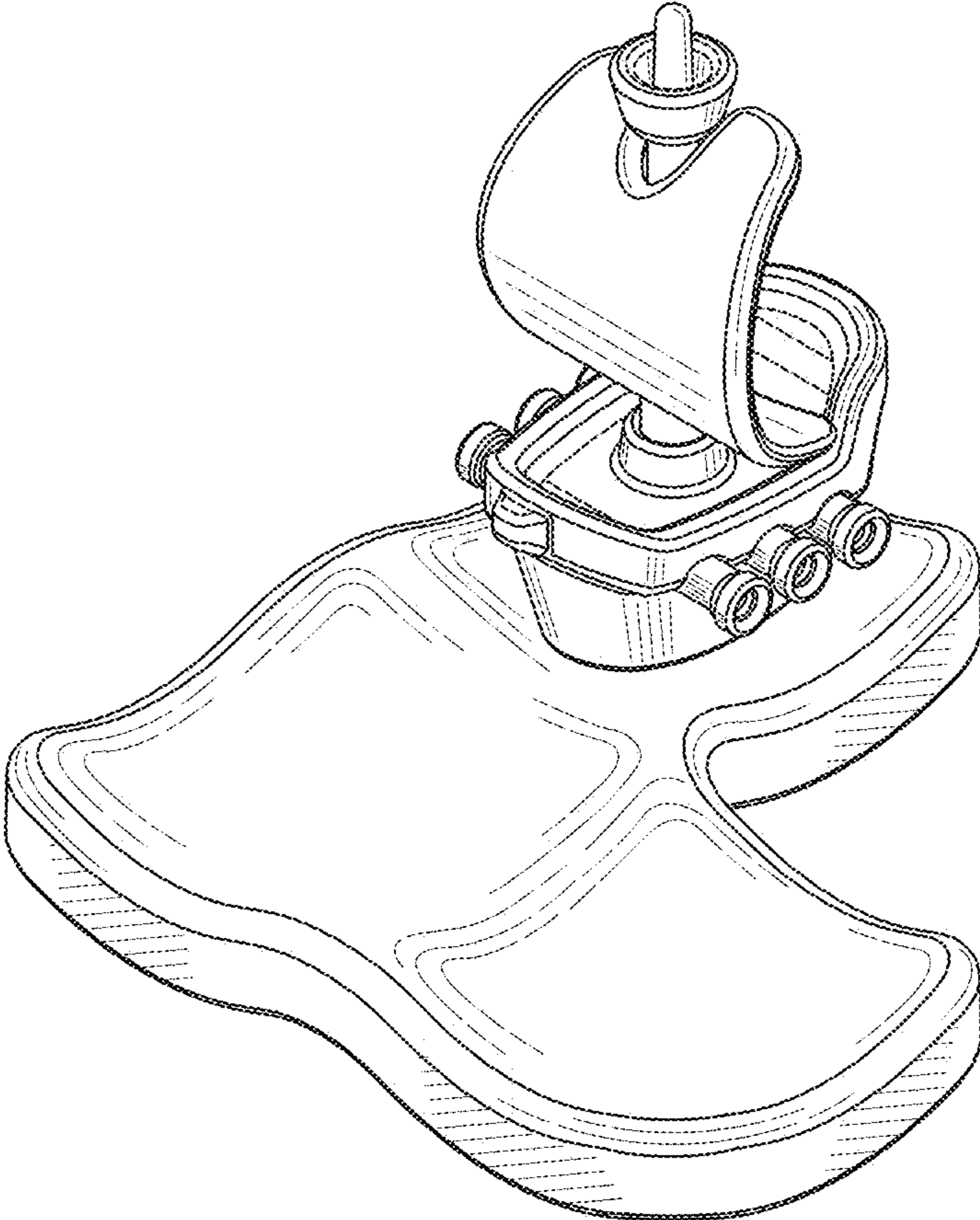


FIG. 2

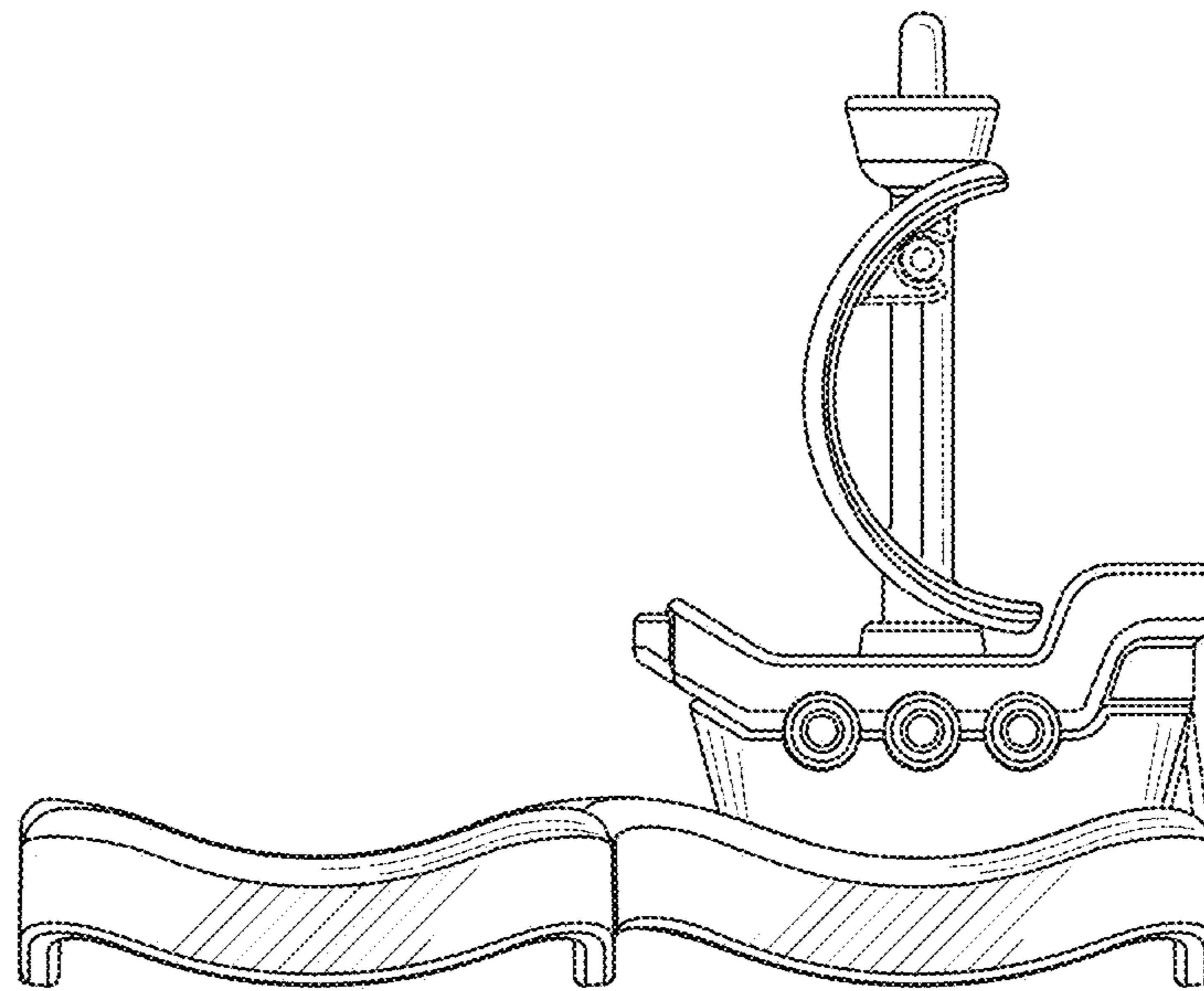


FIG. 3

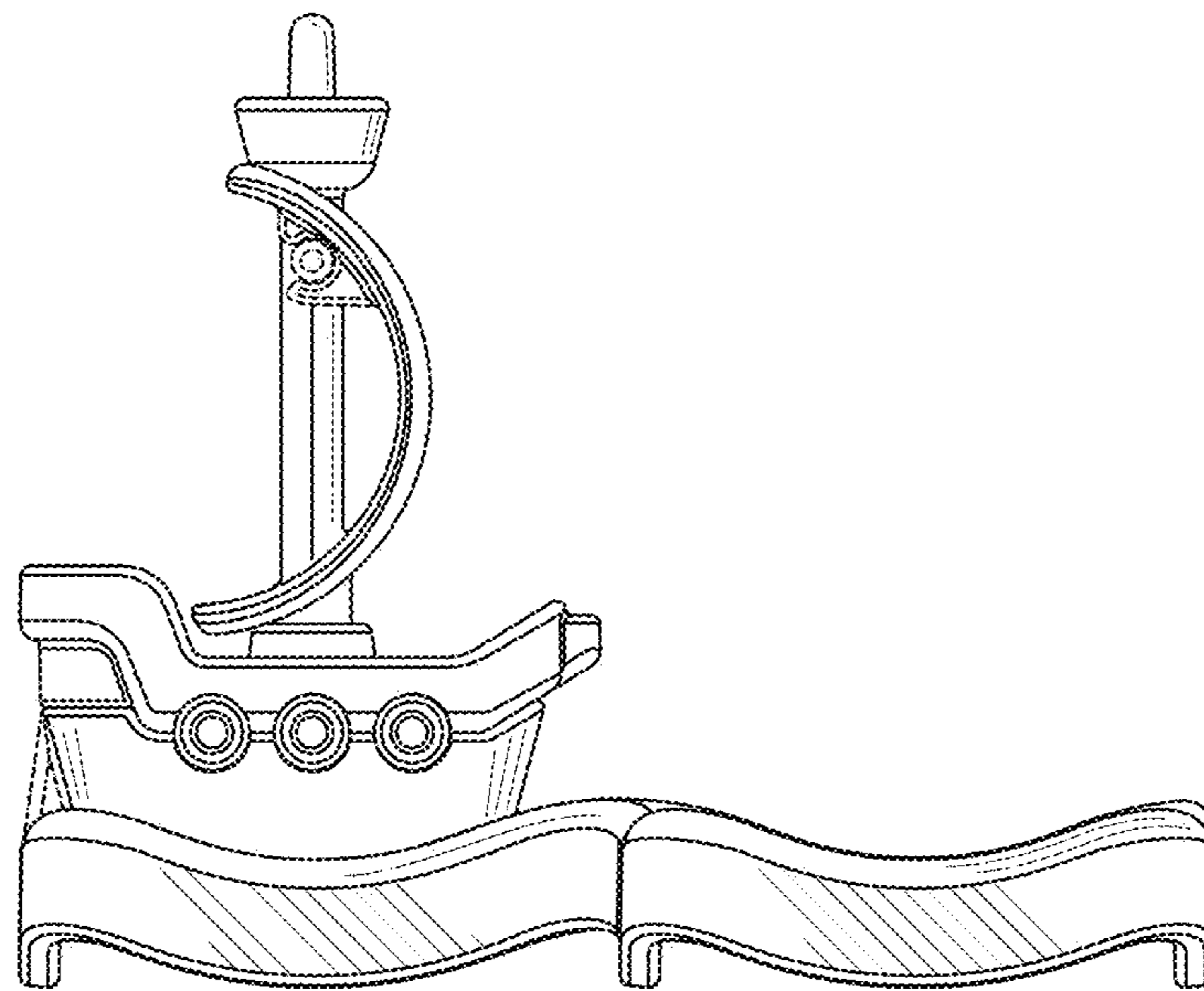


FIG. 4

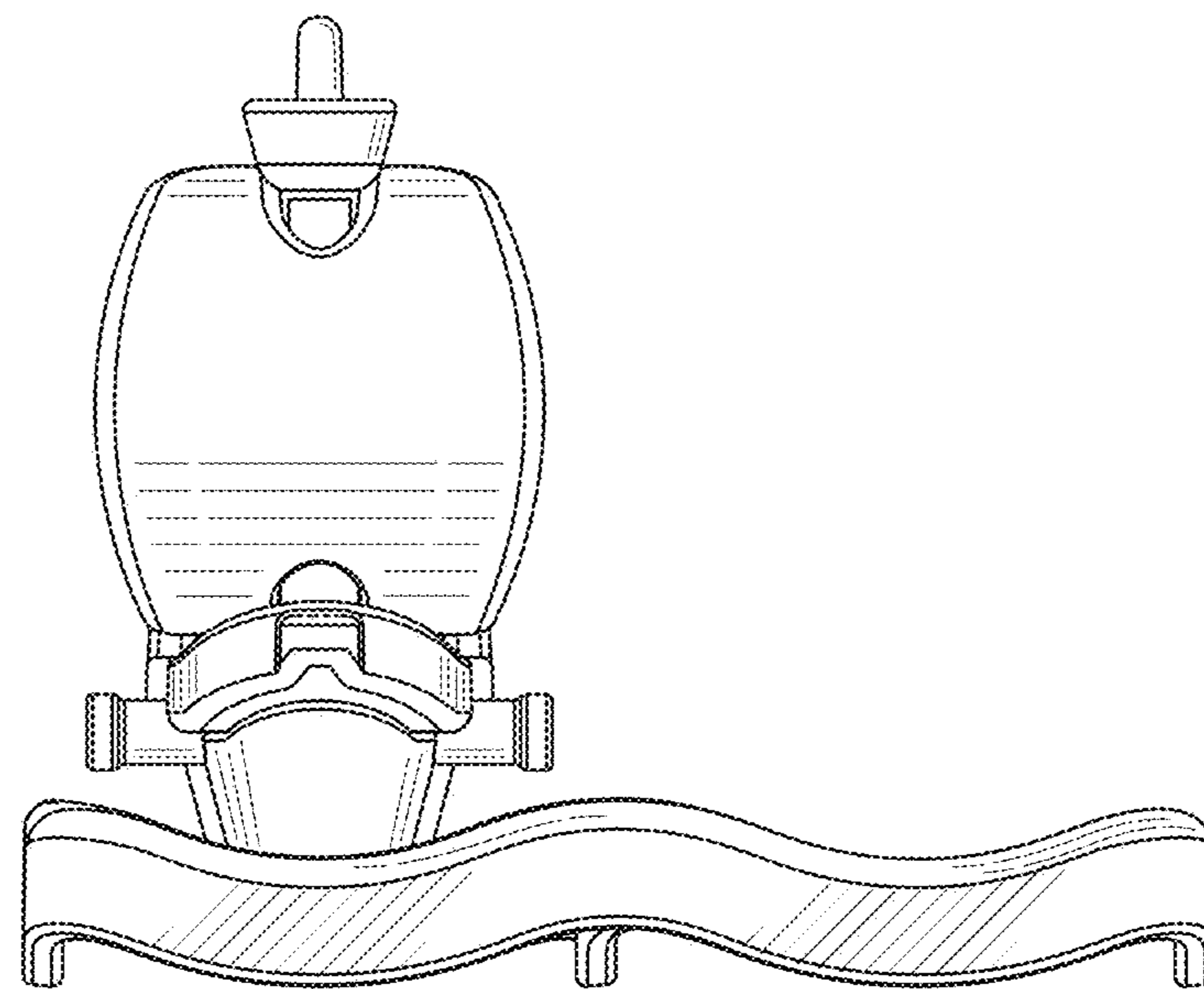


FIG. 5

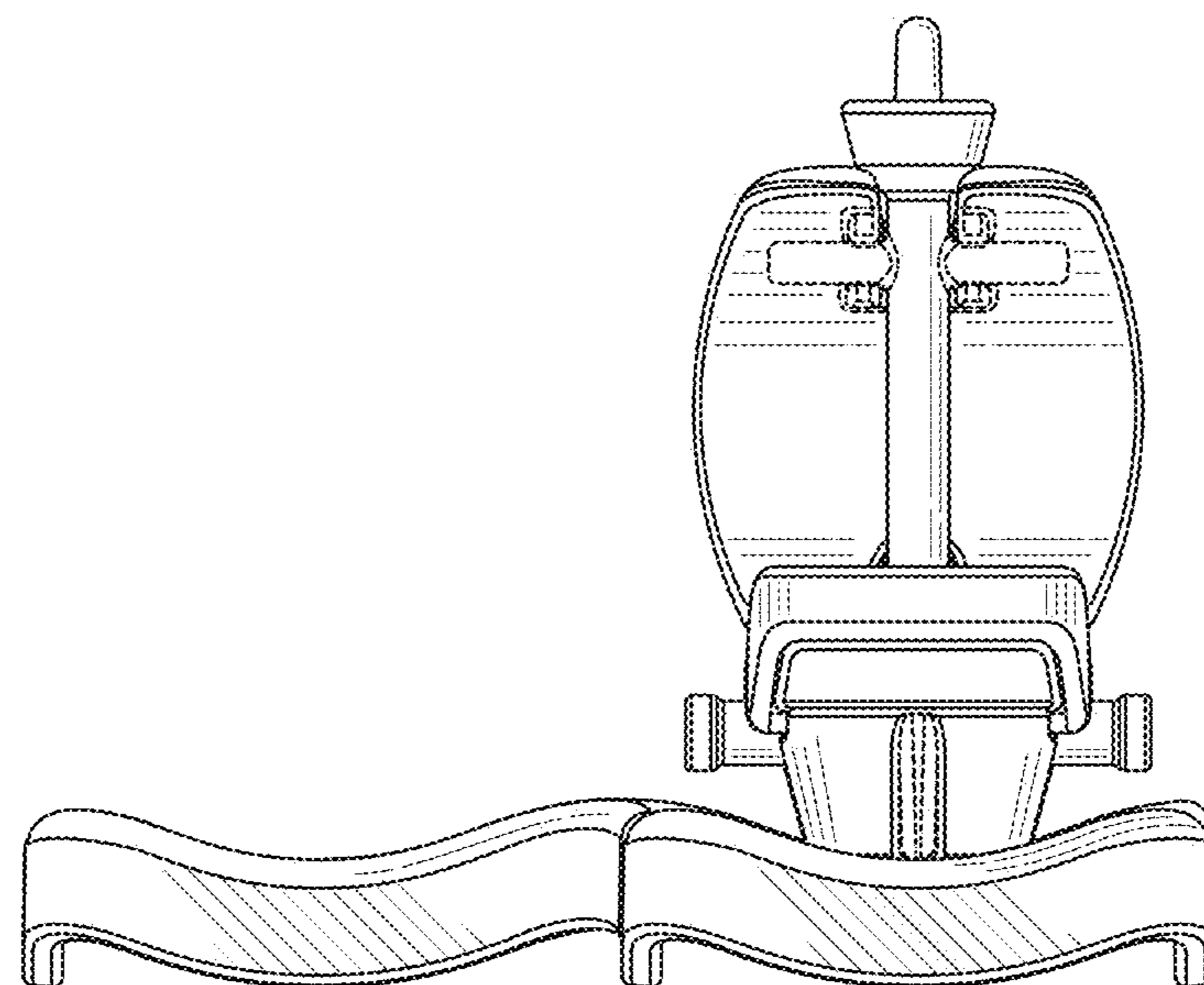


FIG. 6

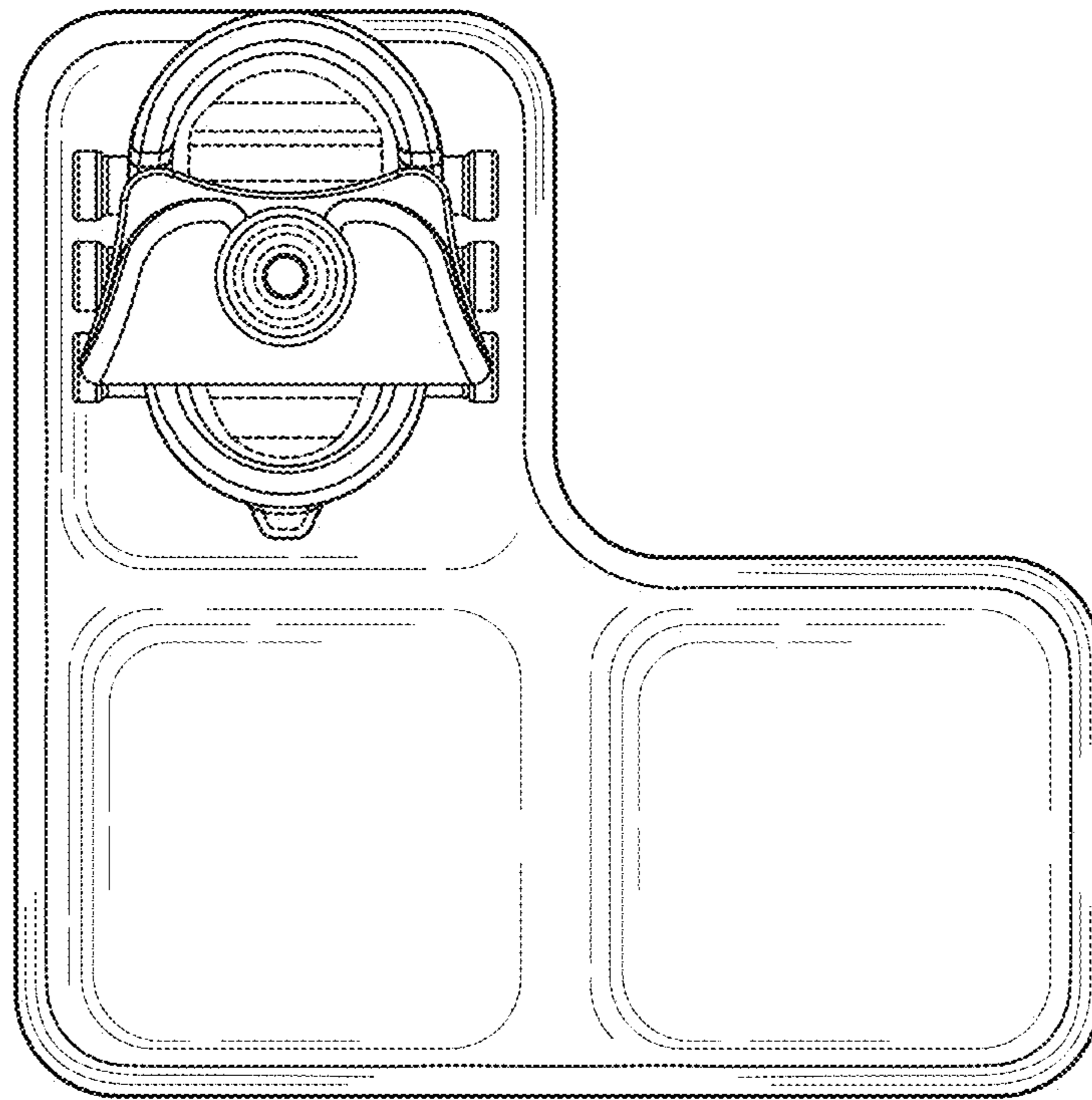


FIG. 7

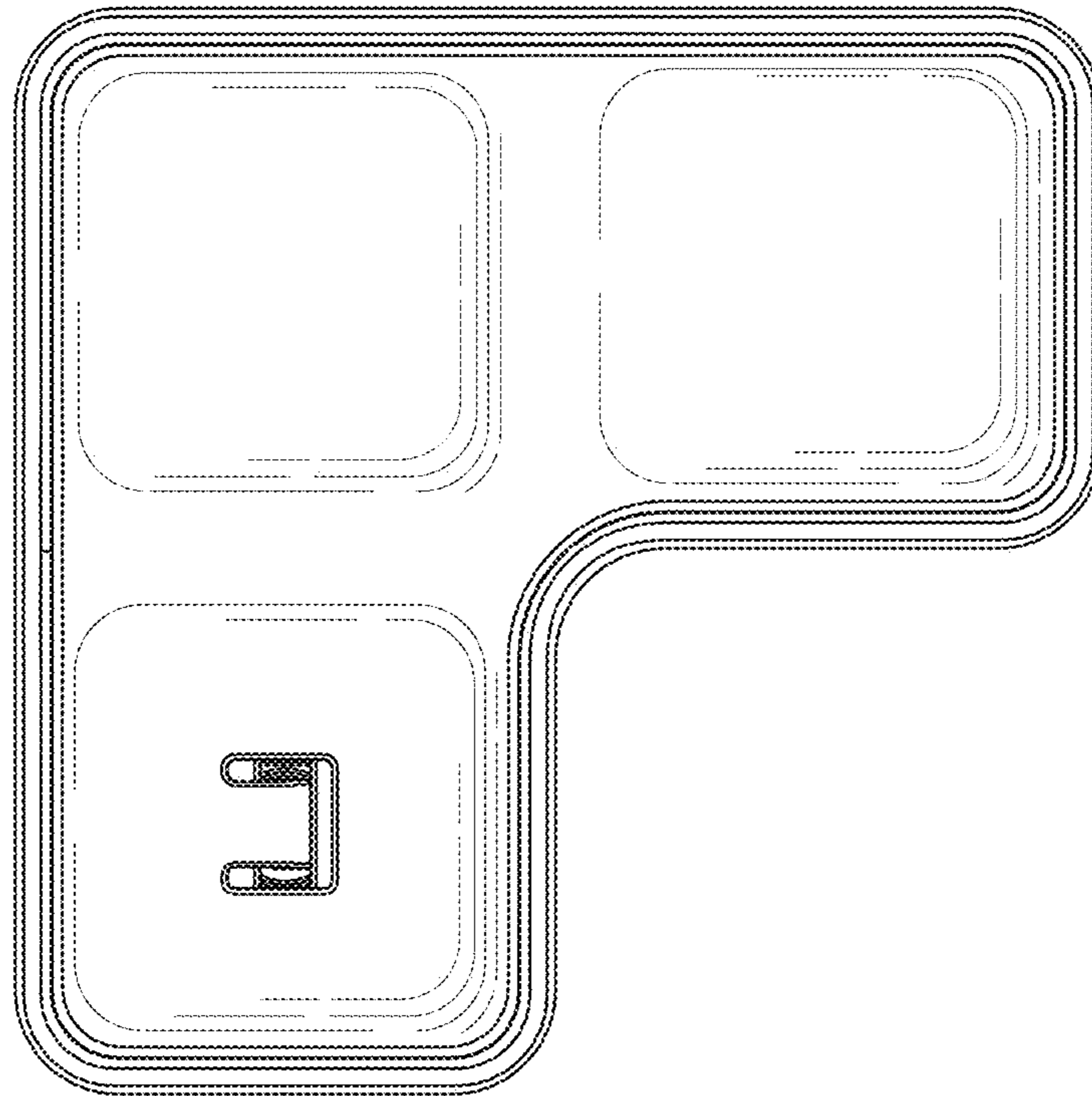


FIG. 8

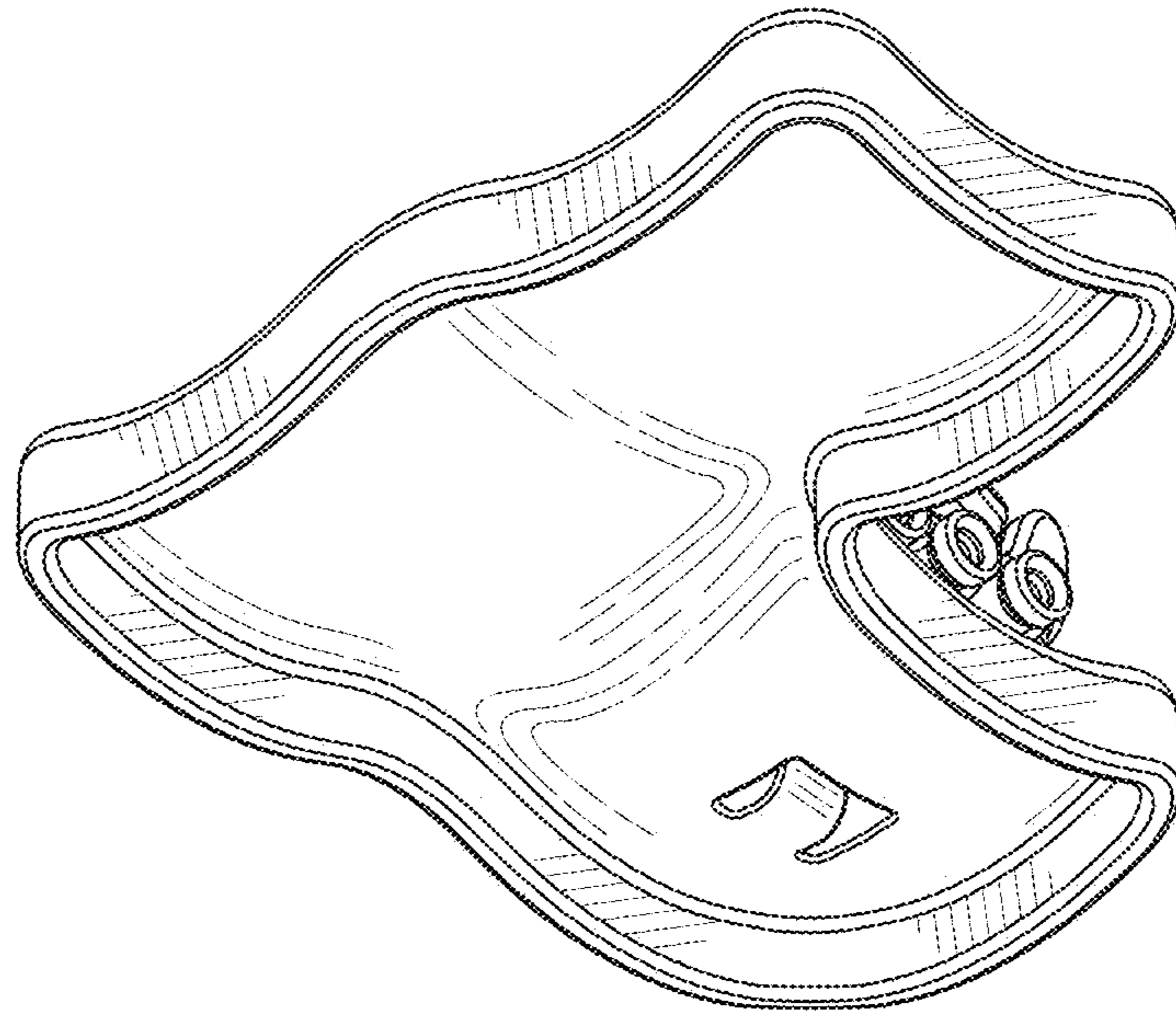


FIG. 9

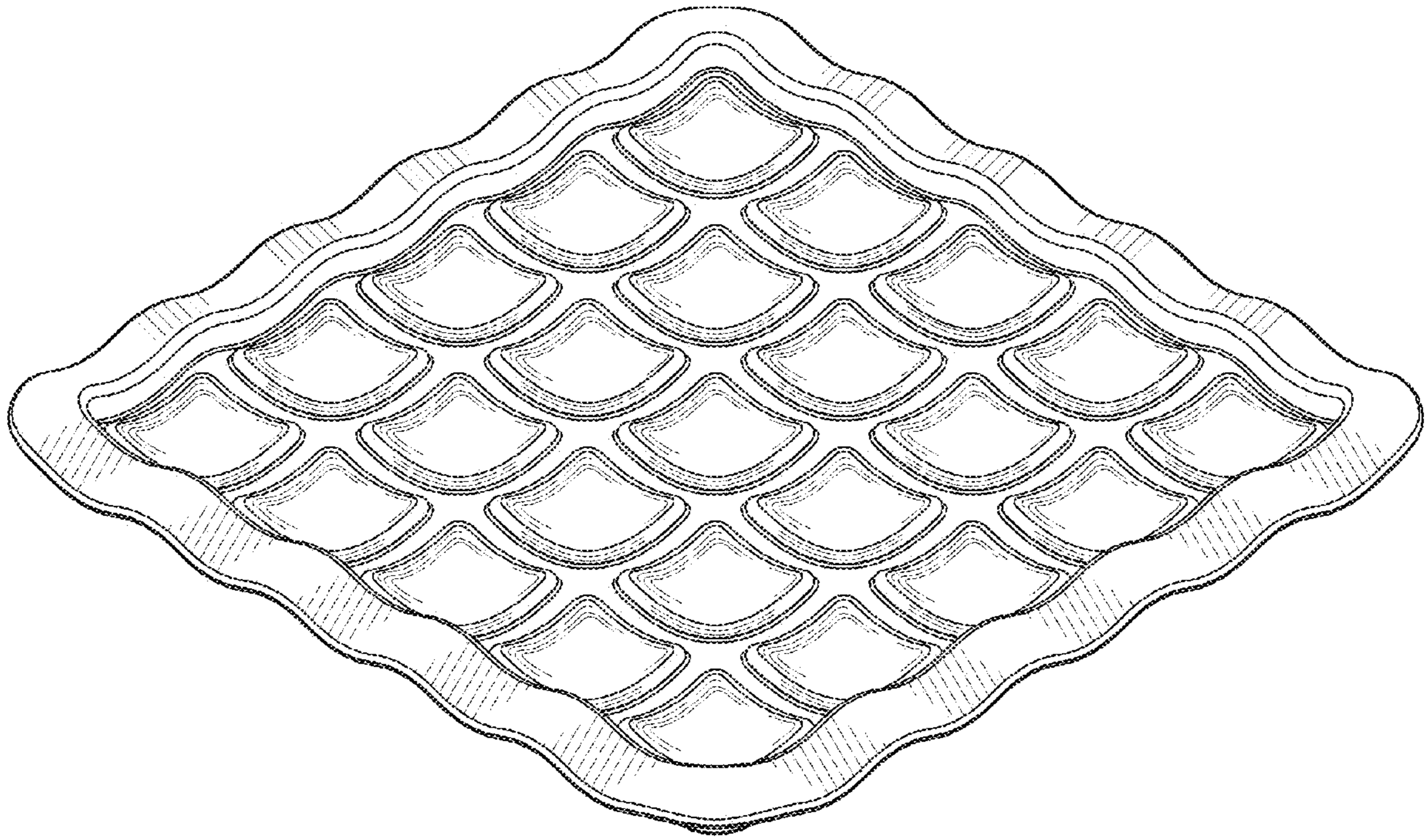


FIG. 10



FIG. 11



FIG. 12



FIG. 13



FIG. 14

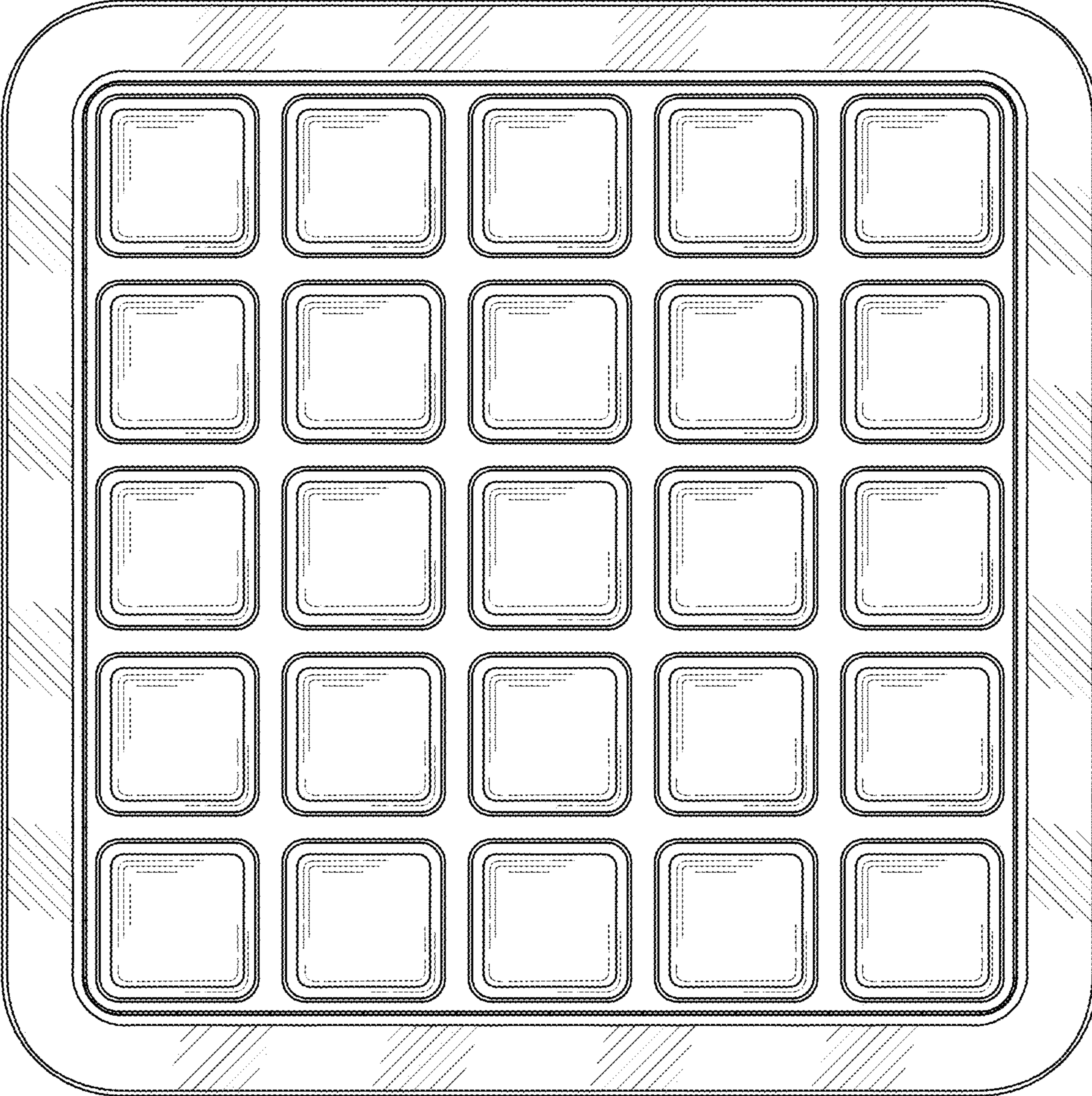


FIG. 15

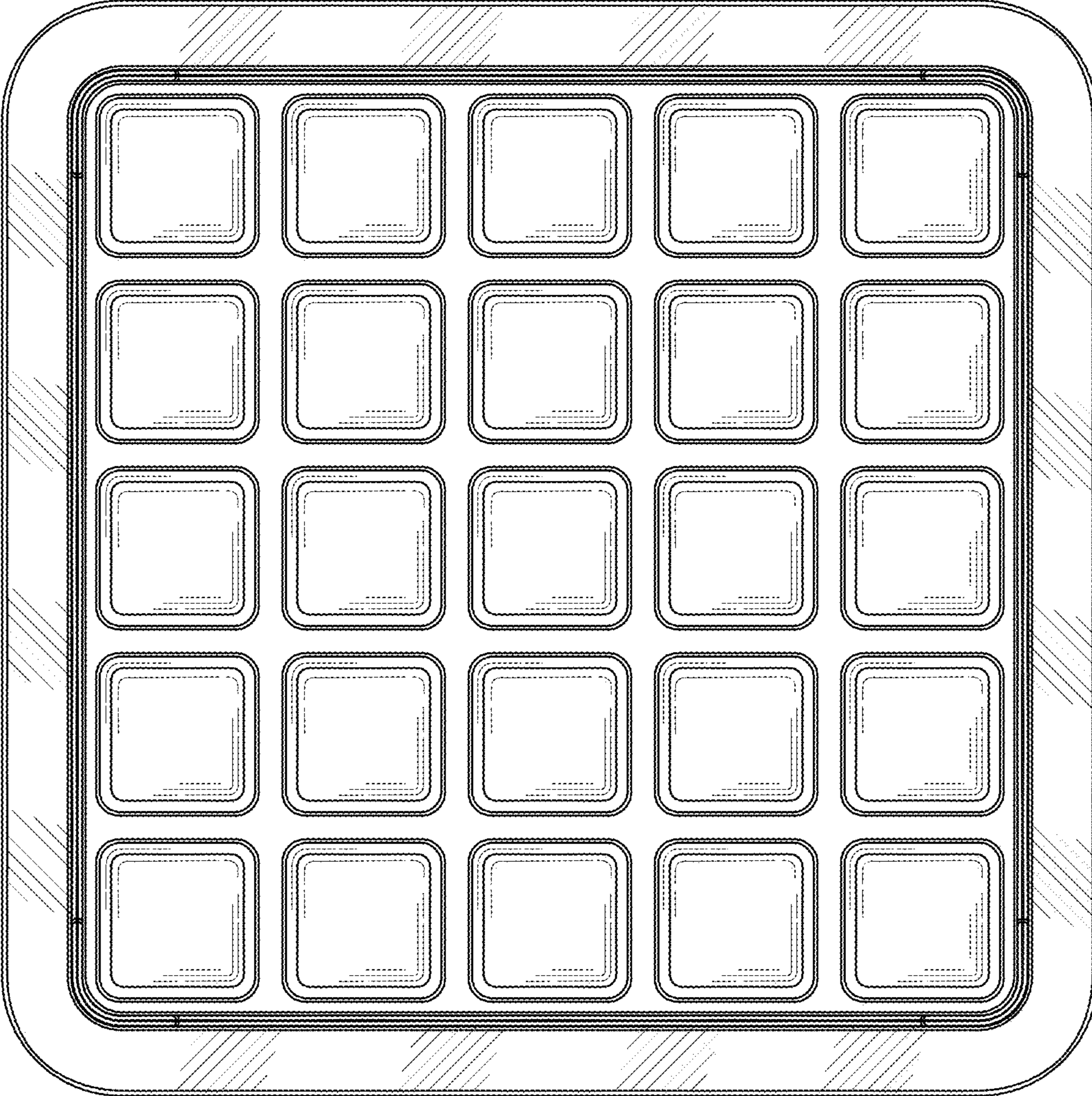


FIG. 16

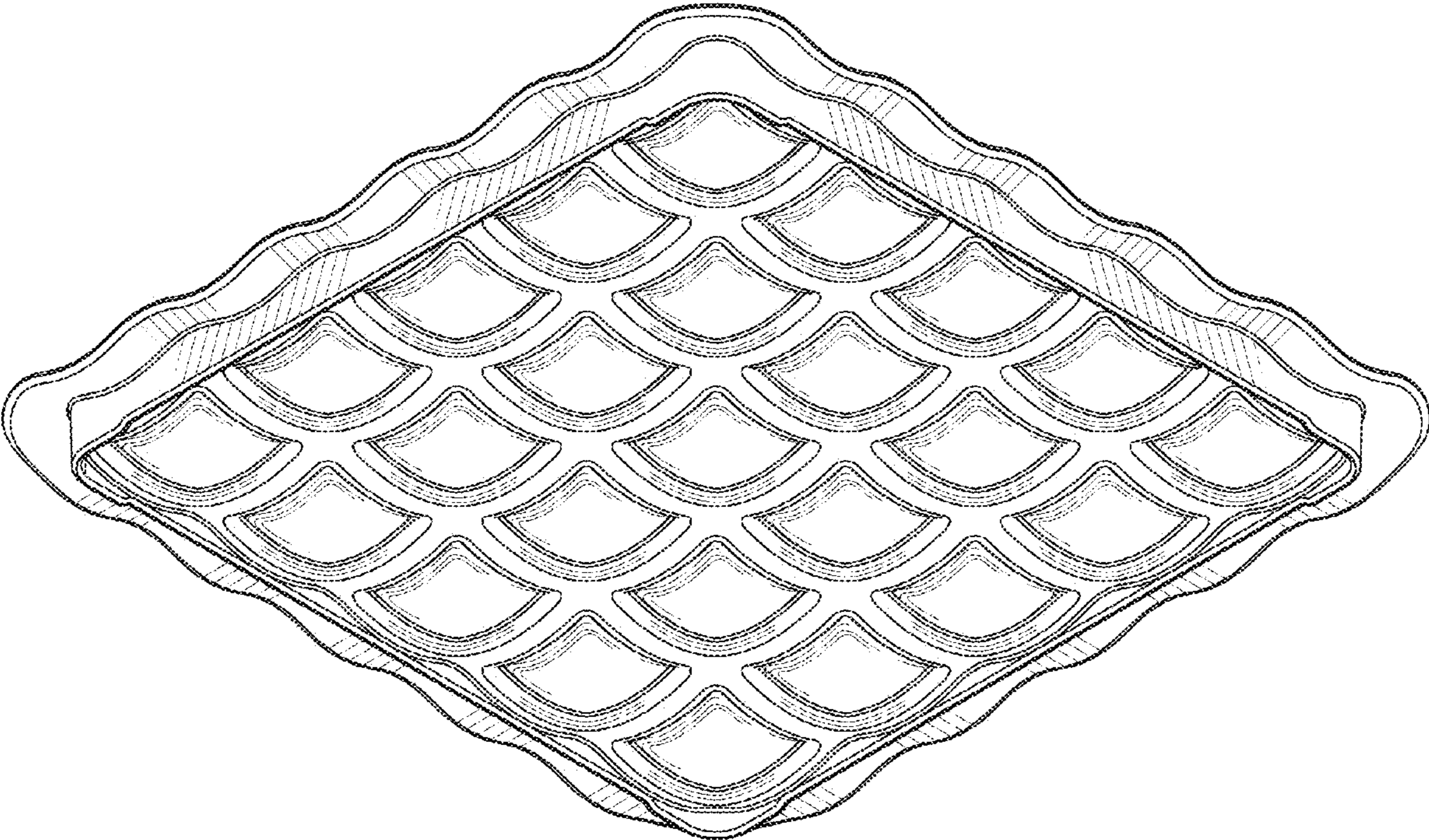


FIG. 17