



US00D973134S

(12) **United States Design Patent**
Yan

(10) **Patent No.:** **US D973,134 S**

(45) **Date of Patent:** **** Dec. 20, 2022**

(54) **RACING SIMULATOR COCKPIT**

(71) Applicant: **Enling Yan**, Hubei (CN)

(72) Inventor: **Enling Yan**, Hubei (CN)

(**) Term: **15 Years**

(21) Appl. No.: **29/839,325**

(22) Filed: **May 19, 2022**

(51) **LOC (13) Cl.** **21-01**

(52) **U.S. Cl.**
USPC **D21/326**

(58) **Field of Classification Search**
USPC D21/312, 324, 325, 326, 327, 329, 333,
D21/349, 351-355, 366, 369, 370, 371,
D21/385, 426, 427, 430, 471, 477, 695,
D21/696, 814; D6/335, 356, 366, 367,
D6/368, 716; D12/87, 112, 378.12
CPC A47C 1/121; A47C 7/40; A47C 1/026;
A47C 1/143; A47C 7/72; A47C 7/5068;
A63F 13/803; A63F 13/28; A63F 13/08;
G09B 9/12

See application file for complete search history.

(56) **References Cited**

U.S. PATENT DOCUMENTS

D243,627 S * 3/1977 Clower D21/426
D510,391 S * 10/2005 Merril D21/324
D544,923 S * 6/2007 Brase D21/333
D598,207 S * 8/2009 Smit D6/335

D615,596 S * 5/2010 Bik D21/324
D642,222 S * 7/2011 Pezzoni D21/333
D651,815 S * 1/2012 Smit D6/336
D656,553 S * 3/2012 Blaskov D21/333
D691,822 S * 10/2013 Smit D6/368
D701,917 S * 4/2014 Ghahramanian D21/333
D835,198 S * 12/2018 Berlinches D21/326
D852,562 S * 7/2019 Jui D6/716
D856,020 S * 8/2019 Ghahramanian D6/367
D912,733 S * 3/2021 Ghahramanian D21/333

* cited by examiner

Primary Examiner — Mehri F Bajoul

(74) *Attorney, Agent, or Firm* — ScienBiziP, P.C.

(57) **CLAIM**

The ornamental design for a racing simulator cockpit, as shown and described.

DESCRIPTION

FIG. 1 is a front, right and top perspective view of a racing simulator cockpit, showing my design.

FIG. 2 is a rear, left and bottom perspective view thereof.

FIG. 3 is a front elevation view thereof.

FIG. 4 is a rear elevation view thereof.

FIG. 5 is a left side elevation view thereof.

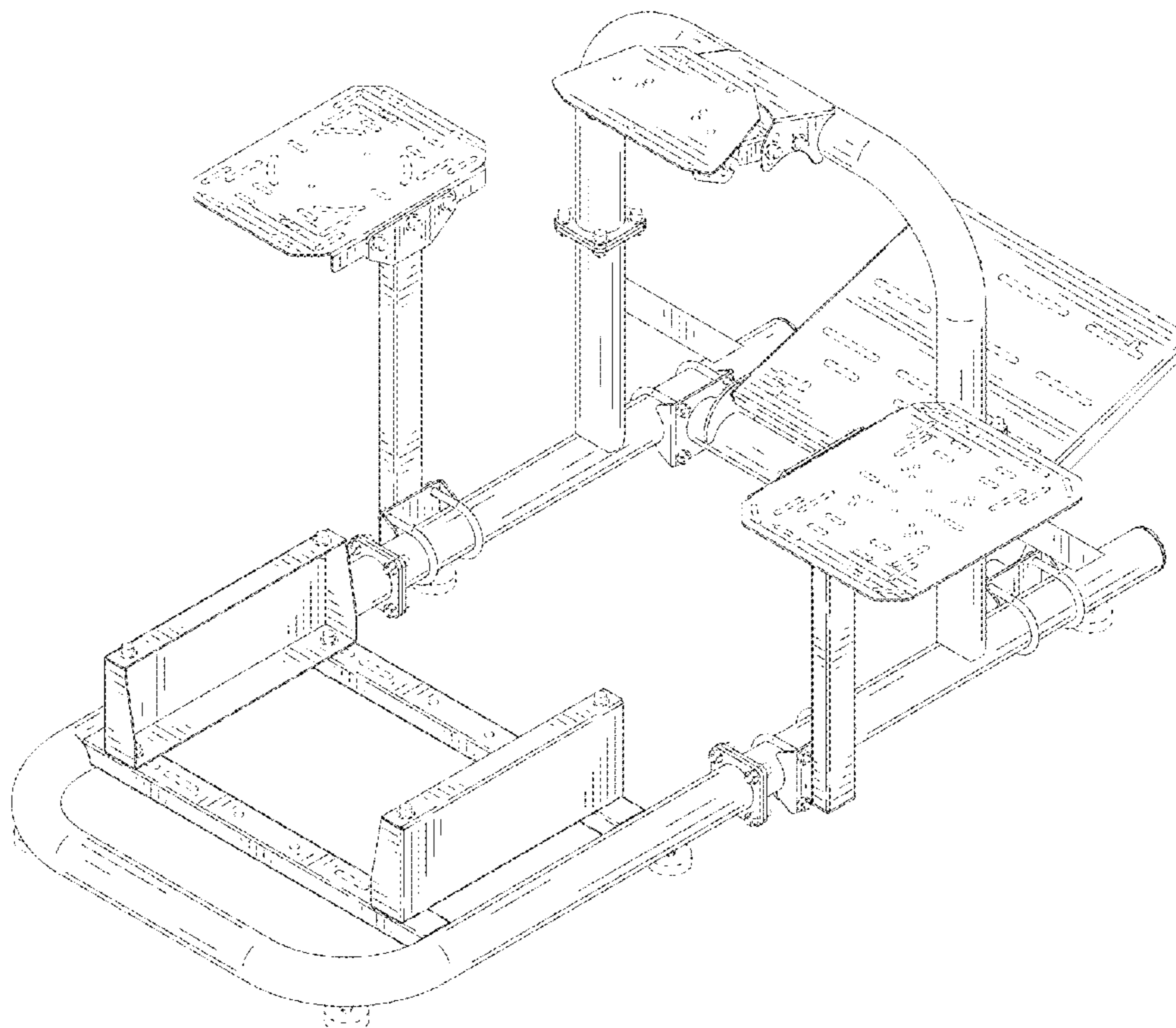
FIG. 6 is a right side elevation view thereof.

FIG. 7 is a top plan view thereof; and,

FIG. 8 is a bottom plan view thereof.

The broken lines shown in the drawings are included for the purpose of illustrating portions of the racing simulator cockpit that form no part of the claimed design.

1 Claim, 8 Drawing Sheets



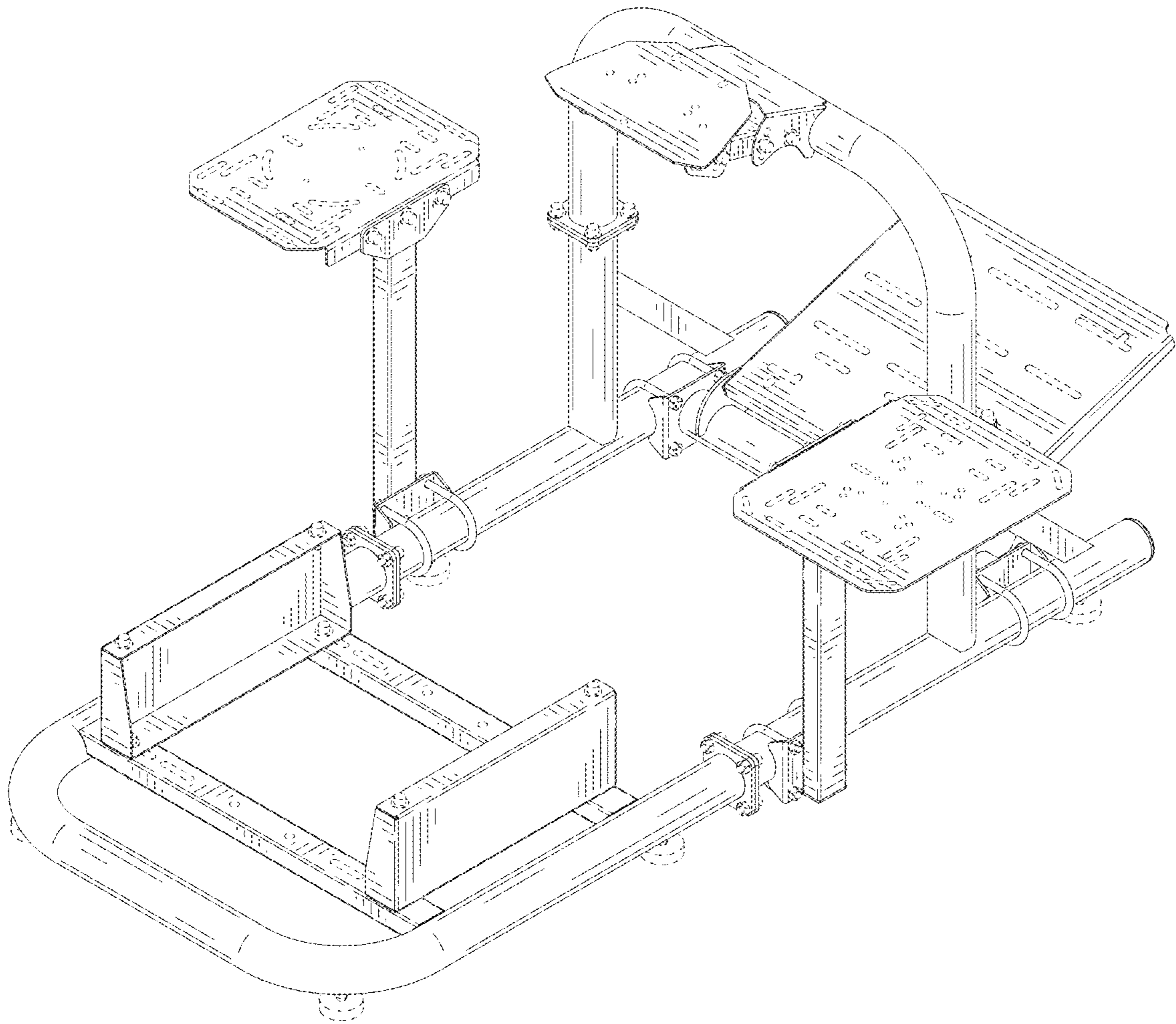


FIG. 1

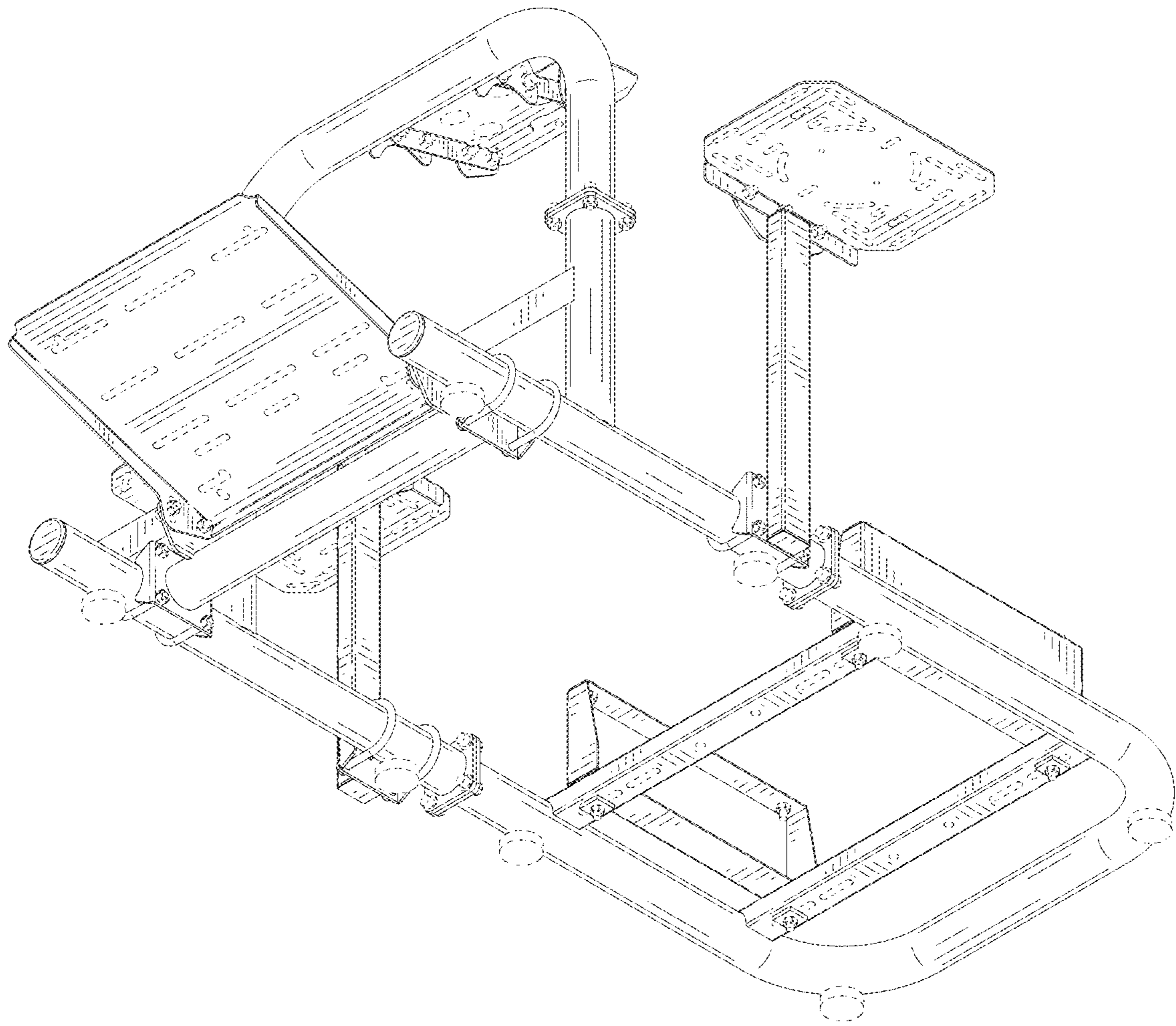


FIG. 2

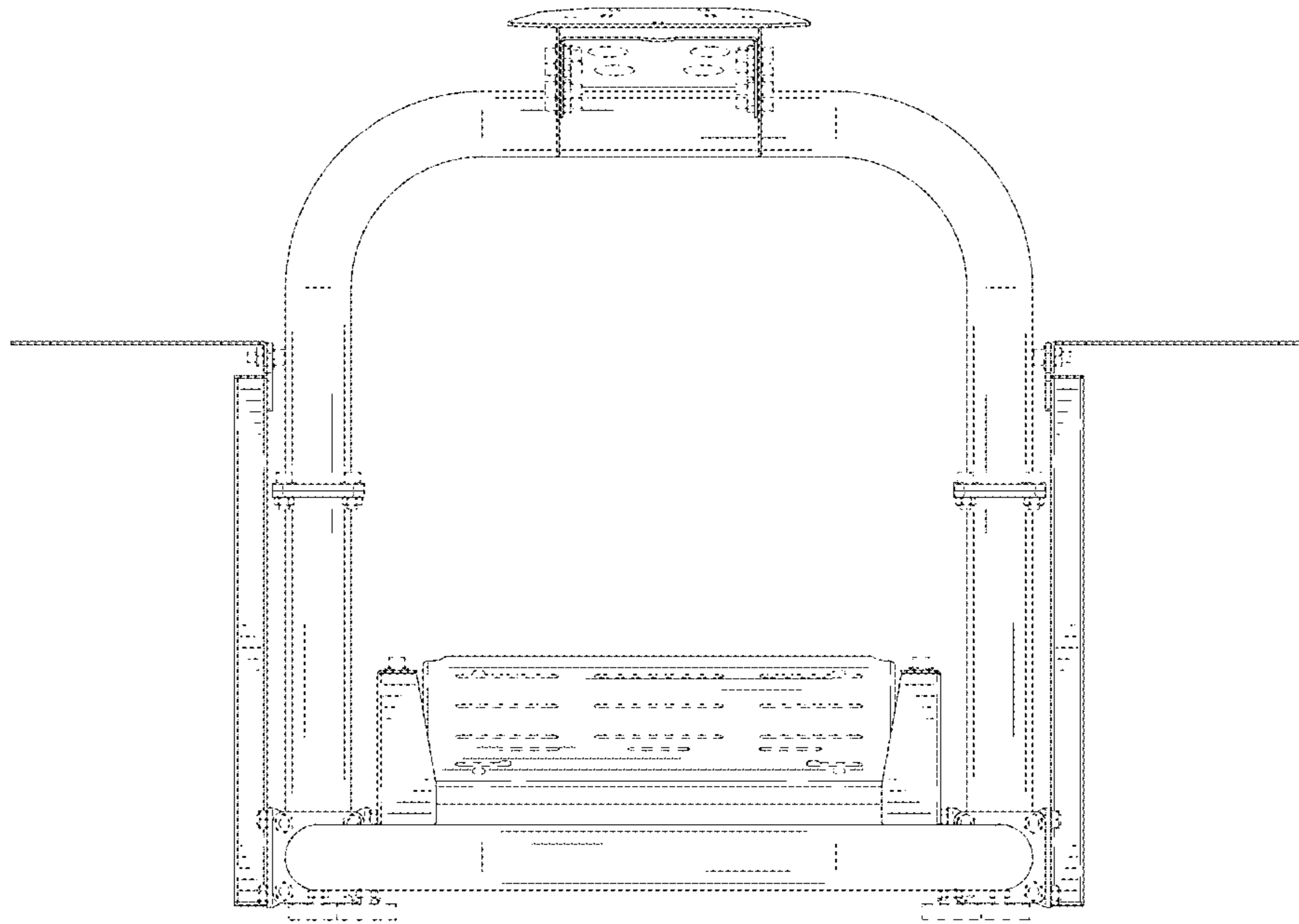


FIG. 3

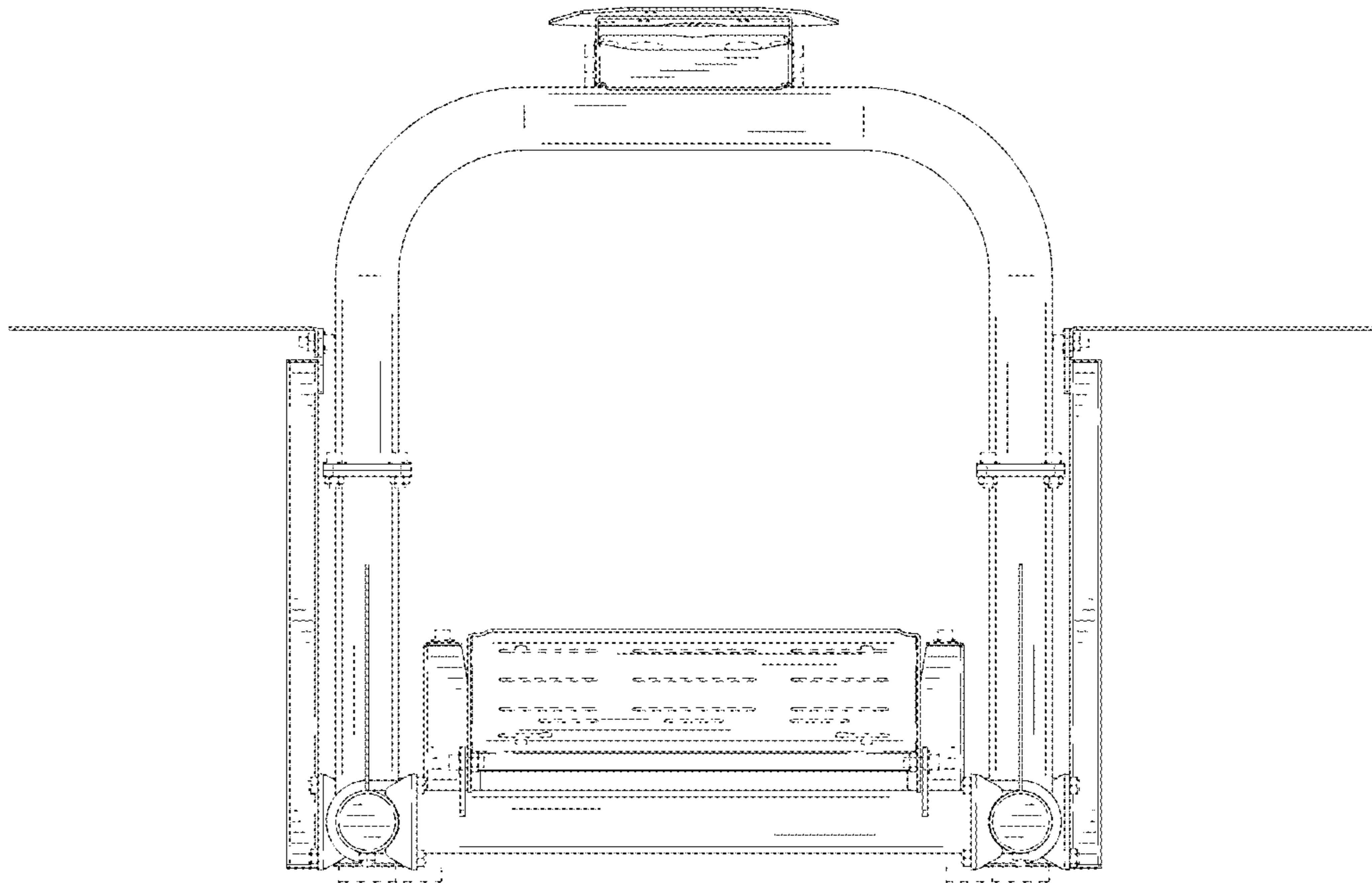


FIG. 4

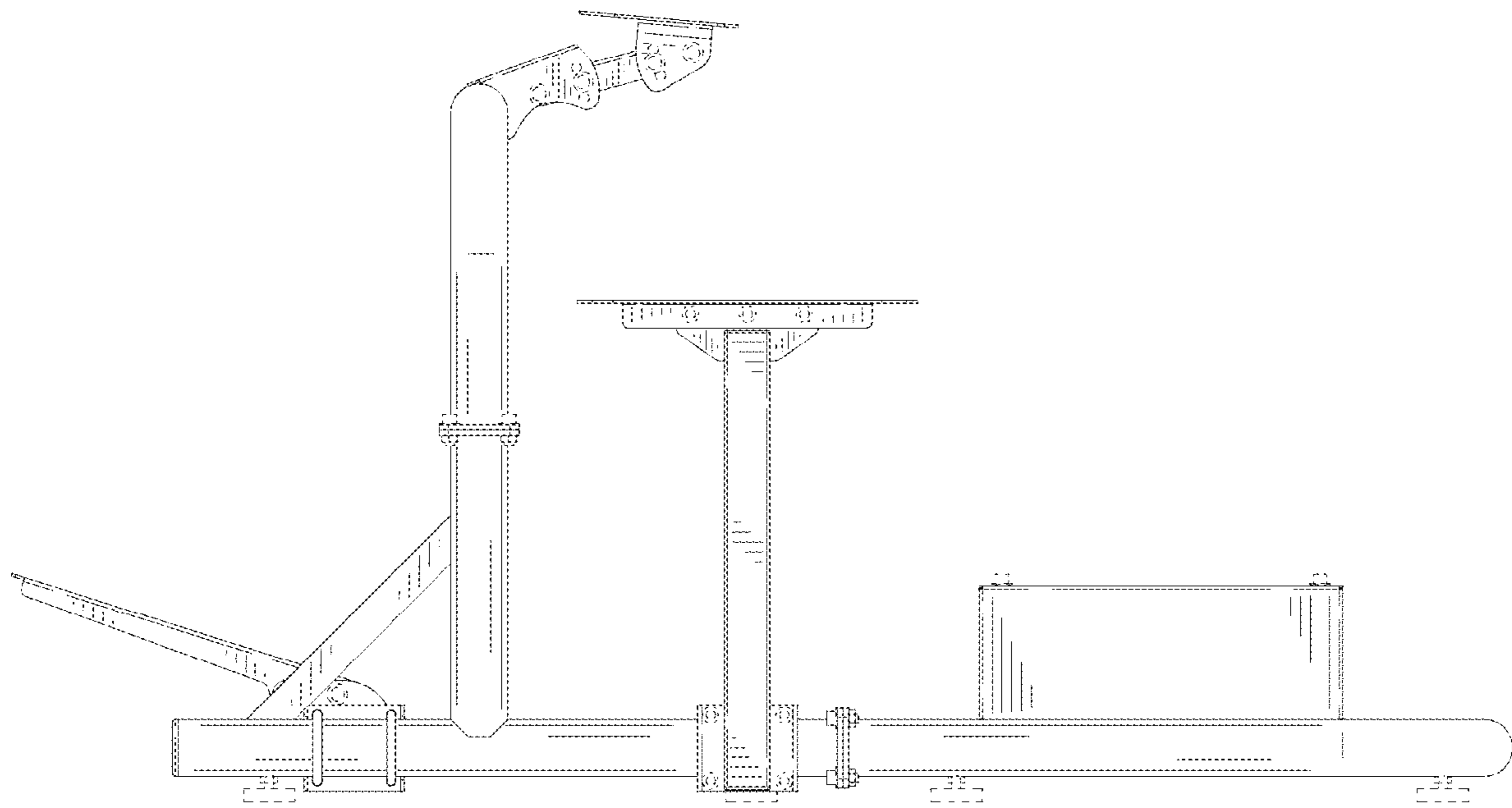


FIG. 5

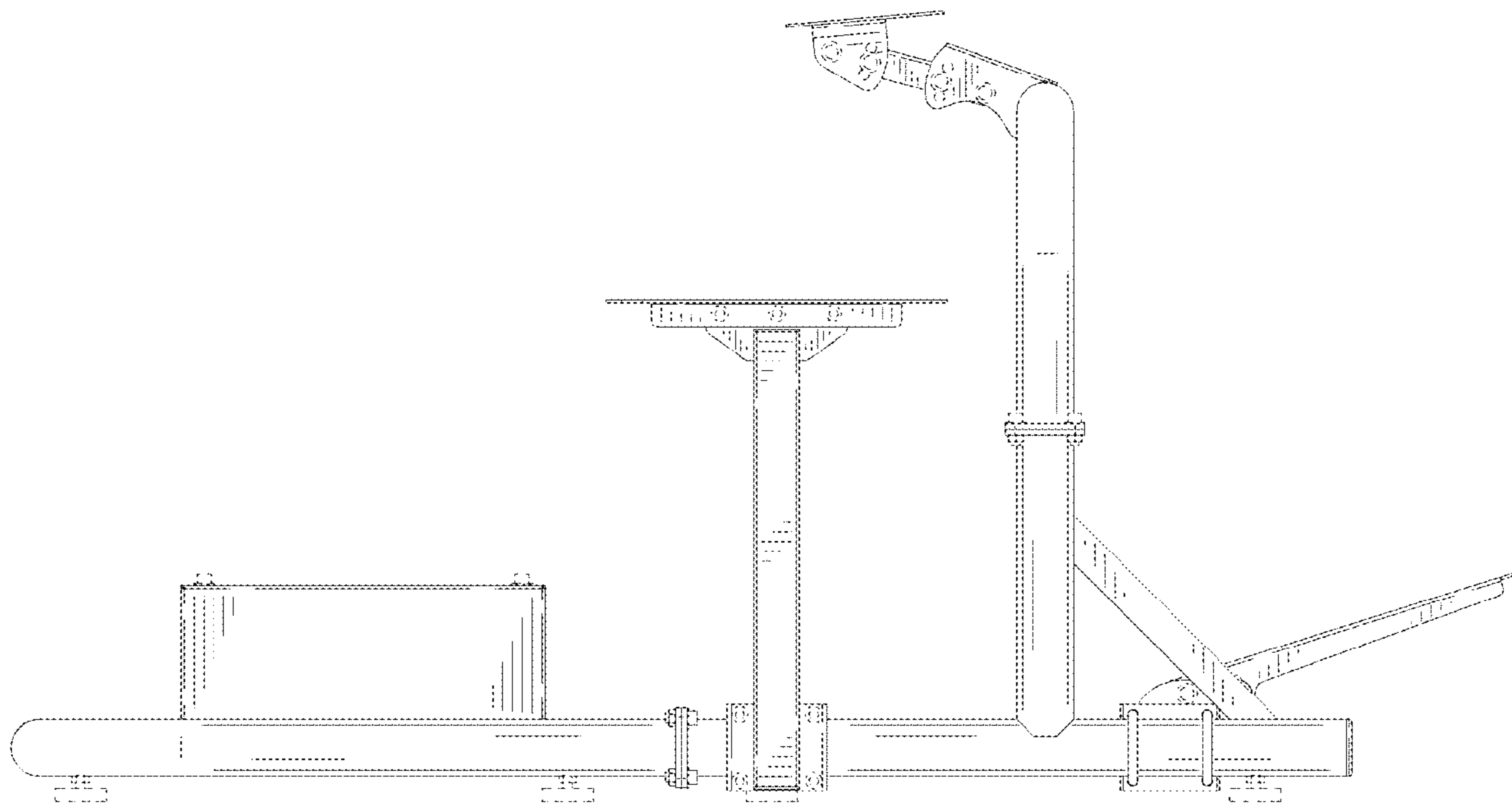


FIG. 6

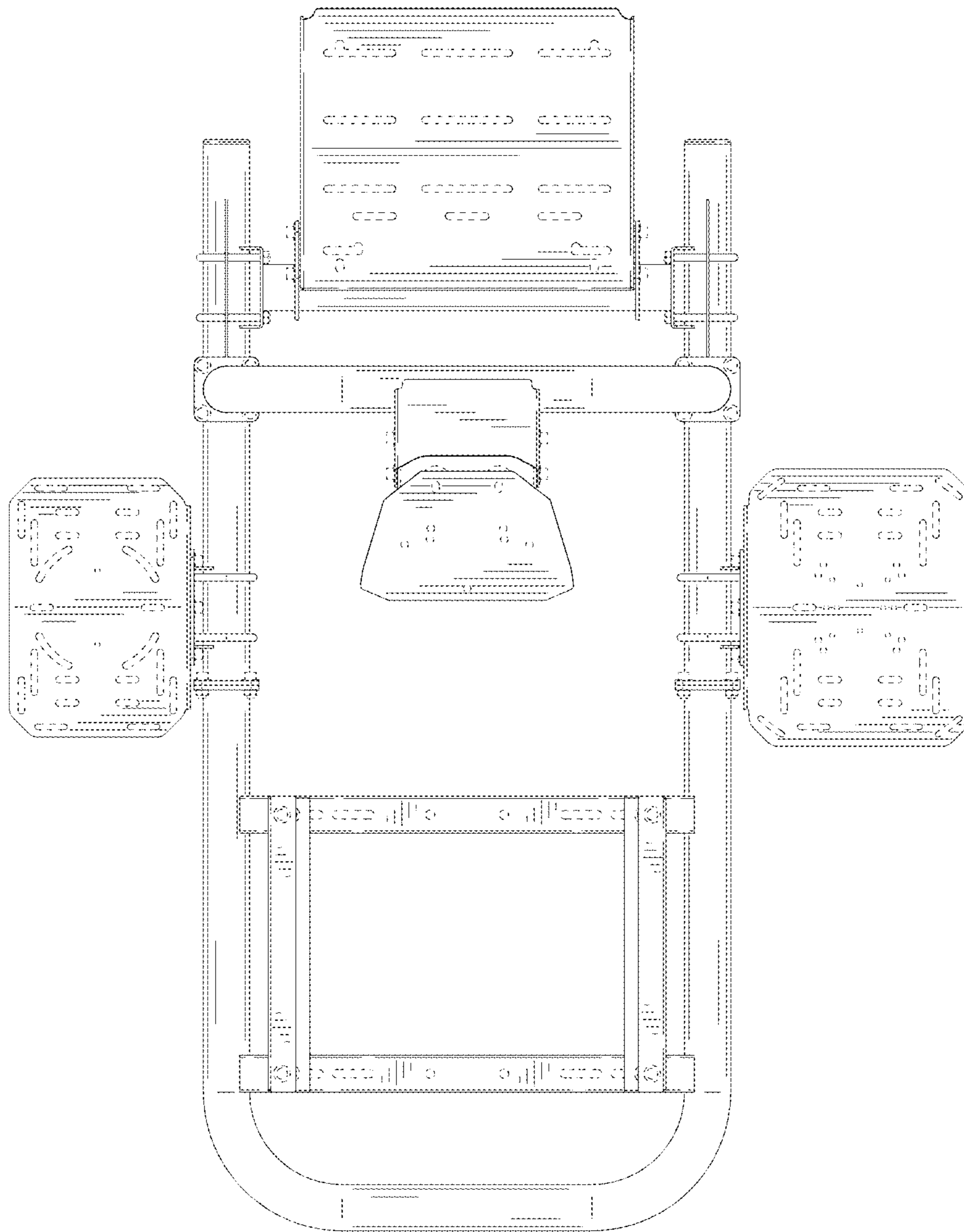


FIG. 7

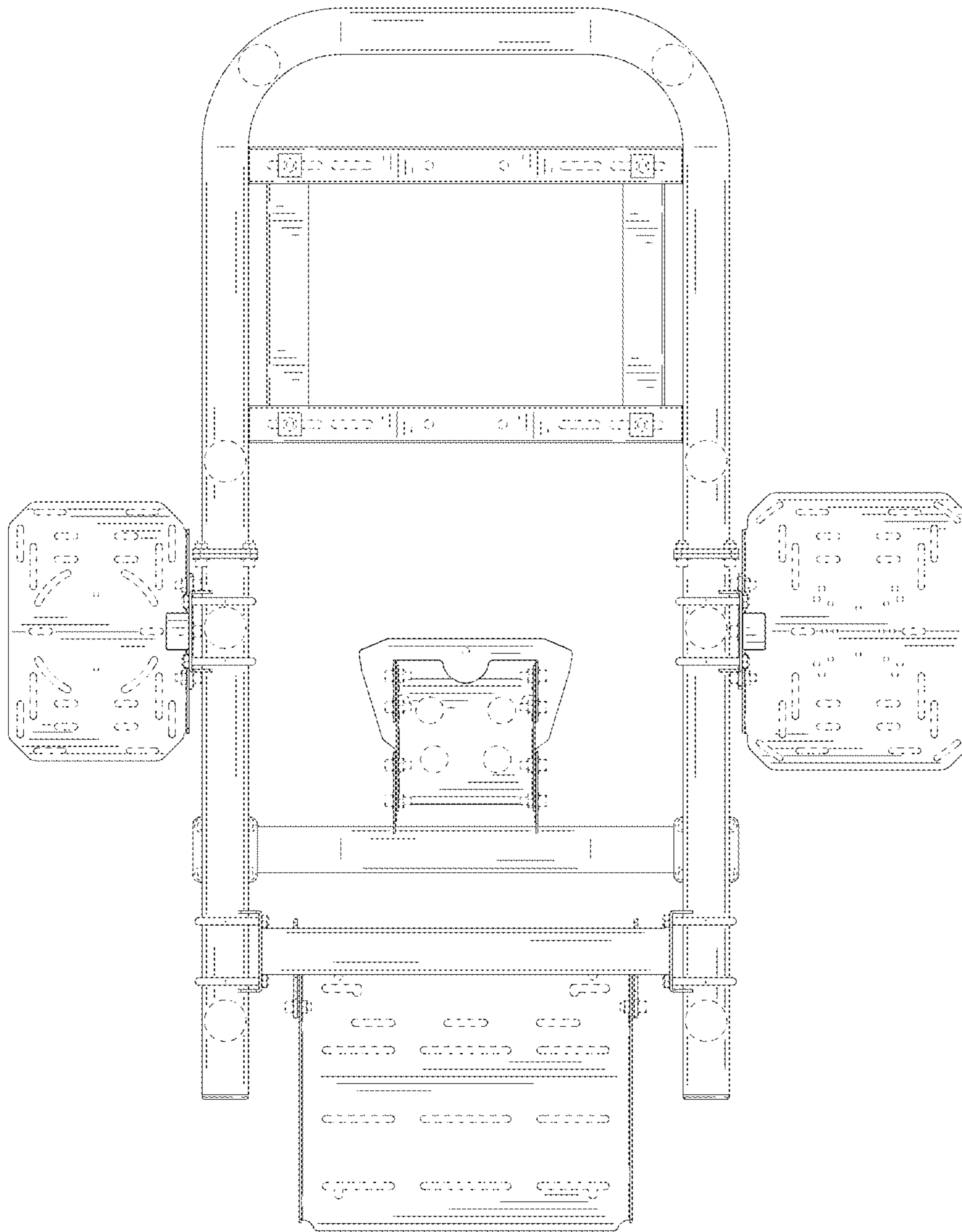


FIG. 8