



US00D973131S

(12) **United States Design Patent** (10) **Patent No.:** **US D973,131 S**
Cesar et al. (45) **Date of Patent:** **** Dec. 20, 2022**

(54) **FRAME FOR AN OUTPUT COLLECTION SYSTEM OF A LARGE FORMAT PRINTER**

6,206,512 B1 * 3/2001 Gasso B41J 2/17509
347/85
6,247,802 B1 * 6/2001 Gasso B41J 2/175
347/85
6,315,474 B1 * 11/2001 Giles B41J 11/001
346/24

(71) Applicant: **Hewlett-Packard Development Company, L.P.**, Spring, TX (US)

(Continued)

(72) Inventors: **Javier Alfonso Cesar**, Sant Cugat del Vallès (ES); **Ferran Rafat Esquius**, Sant Cugat del Vallès (ES); **Marta Ramis Ilinares**, Sant Cugat del Vallès (ES)

FOREIGN PATENT DOCUMENTS

CN 3149601 * 5/2000

(73) Assignee: **Hewlett-Packard Development Company, L.P.**, Spring, TX (US)

OTHER PUBLICATIONS

HP DesignJet T730 Large Format Printer, Amazon.com, Date published Nov. 18, 2015, date retrieved from internet Mar. 9, 2020—<https://amzn.to/3MBcM1> (Year: 2015).*

(Continued)

(**) Term: **15 Years**

Primary Examiner — Jennifer L Rempfer
Assistant Examiner — Danielle Nichole Bowly

(21) Appl. No.: **29/734,858**

(22) Filed: **May 15, 2020**

(51) **LOC (13) Cl.** **18-02**

(52) **U.S. Cl.**
USPC **D18/53**

(58) **Field of Classification Search**
USPC D6/700, 866.21, 406.5, 405.6, 694, 685,
D6/641, 553; D19/66, 67, 68, 69;
D11/164; D8/367, 382; D18/50, 53, 54,
D18/55, 56, 57, 58, 59, 34.7, 34.3, 34.1,
D18/4.1
CPC G06F 3/02; H04N 1/00278; B32B 27/08;
G11B 23/40
See application file for complete search history.

(57) **CLAIM**

The ornamental design for a frame for an output collection system of a large format printer, as shown and described.

DESCRIPTION

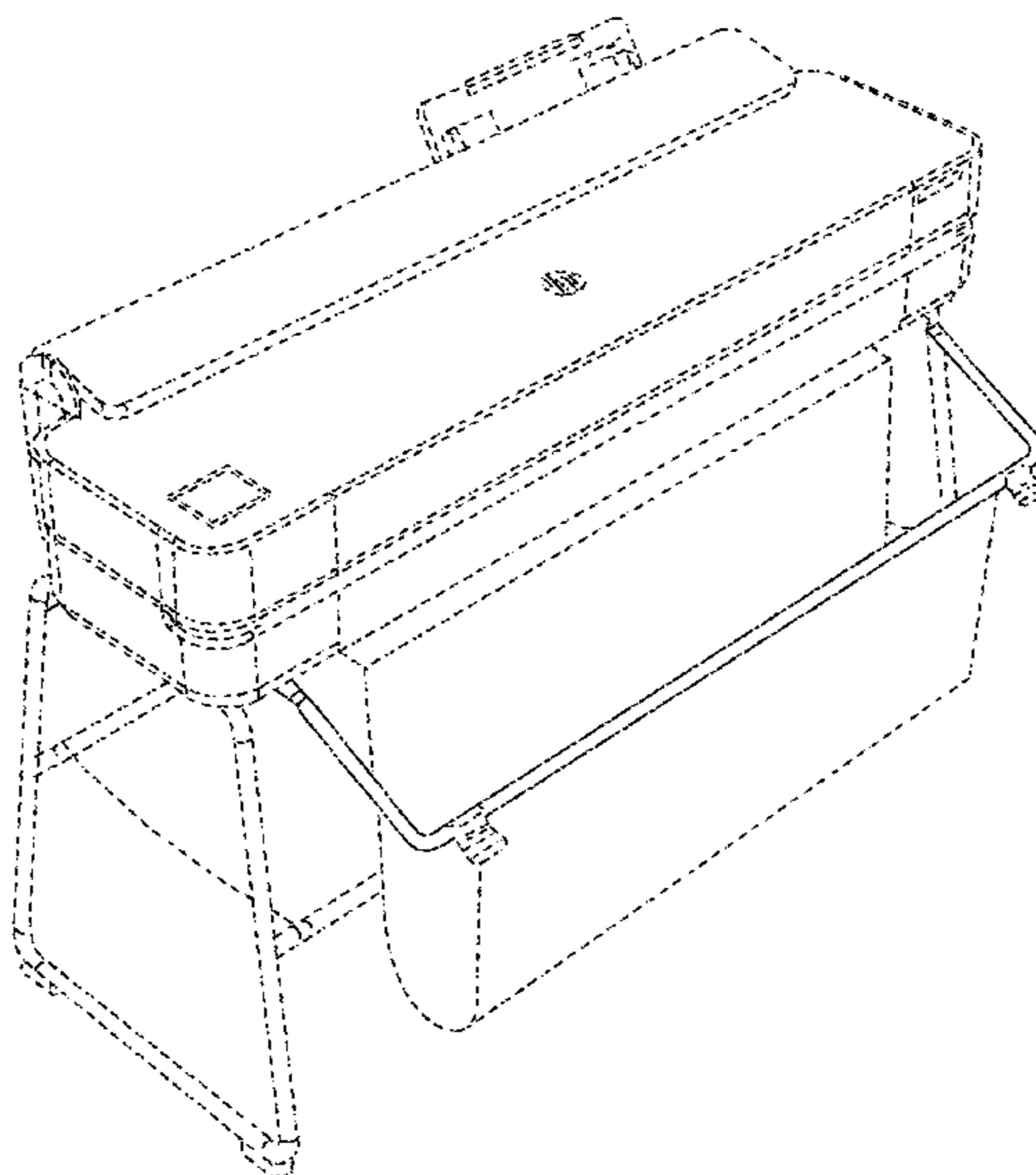
FIG. 1 is a left, front perspective view of a frame for an output collection system of a large format printer is shown in a deployed position.
FIG. 2 is a right, front perspective view of the frame of FIG. 1.
FIG. 3 is a front view of the frame of FIG. 1.
FIG. 4 is a left side view of the frame of FIG. 1.
FIG. 5 is a right side view of the frame of FIG. 1; and, FIG. 6 is a top view of the frame of FIG. 1.
The rear view and the bottom view of the frame of FIG. 1 form no part of the claimed design.
The features shown in broken lines form no part of the claimed design.

(56) **References Cited**

U.S. PATENT DOCUMENTS

D347,239 S * 5/1994 Okamoto 347/108
D400,917 S * 11/1998 Kajikawa D18/53
D407,740 S * 4/1999 Ina D18/53
D408,848 S * 4/1999 Flores D18/53
6,203,152 B1 * 3/2001 Boleda B41J 29/377
347/18

1 Claim, 6 Drawing Sheets



(56)

References Cited

U.S. PATENT DOCUMENTS

6,338,553 B1 * 1/2002 Lewis B41J 11/001
347/85
D458,963 S * 6/2002 Caamano D18/53
D544,533 S * 6/2007 Moliner D18/53
D561,823 S * 2/2008 Morillo D18/53
D597,131 S * 7/2009 Yamano D18/53
D747,766 S * 1/2016 Cesar D18/53
D810,819 S * 2/2018 Cesar D18/53
D812,136 S * 3/2018 Cesar D18/53
D894,271 S * 8/2020 Nakamura D18/53
D895,004 S * 9/2020 Nakamura D18/53
D944,889 S * 3/2022 Cesar D18/53
2018/0345696 A1 * 12/2018 Kodaira B41J 2/0457

OTHER PUBLICATIONS

Canon PRO-2000 Printer, Amazon.com, date published Jun. 22, 2016, date
retrieved from internet Mar. 9, 2022—[https://www.amazon.com/
Canon-1124C002AA-PRO-2000-imagePROGRAF-Printer/dp/
B01HF4JPXQ](https://www.amazon.com/Canon-1124C002AA-PRO-2000-imagePROGRAF-Printer/dp/B01HF4JPXQ) (Year: 2016).*

Cannon Printer Frame Bar, Tineye.com, www.plataformaarquitectura.
cl, date published Nov. 10, 2016, date retrieved from internet Mar.
10, 2022—29734858—<https://bit.ly/35Gbe8Z> (Year: 2016).*

* cited by examiner

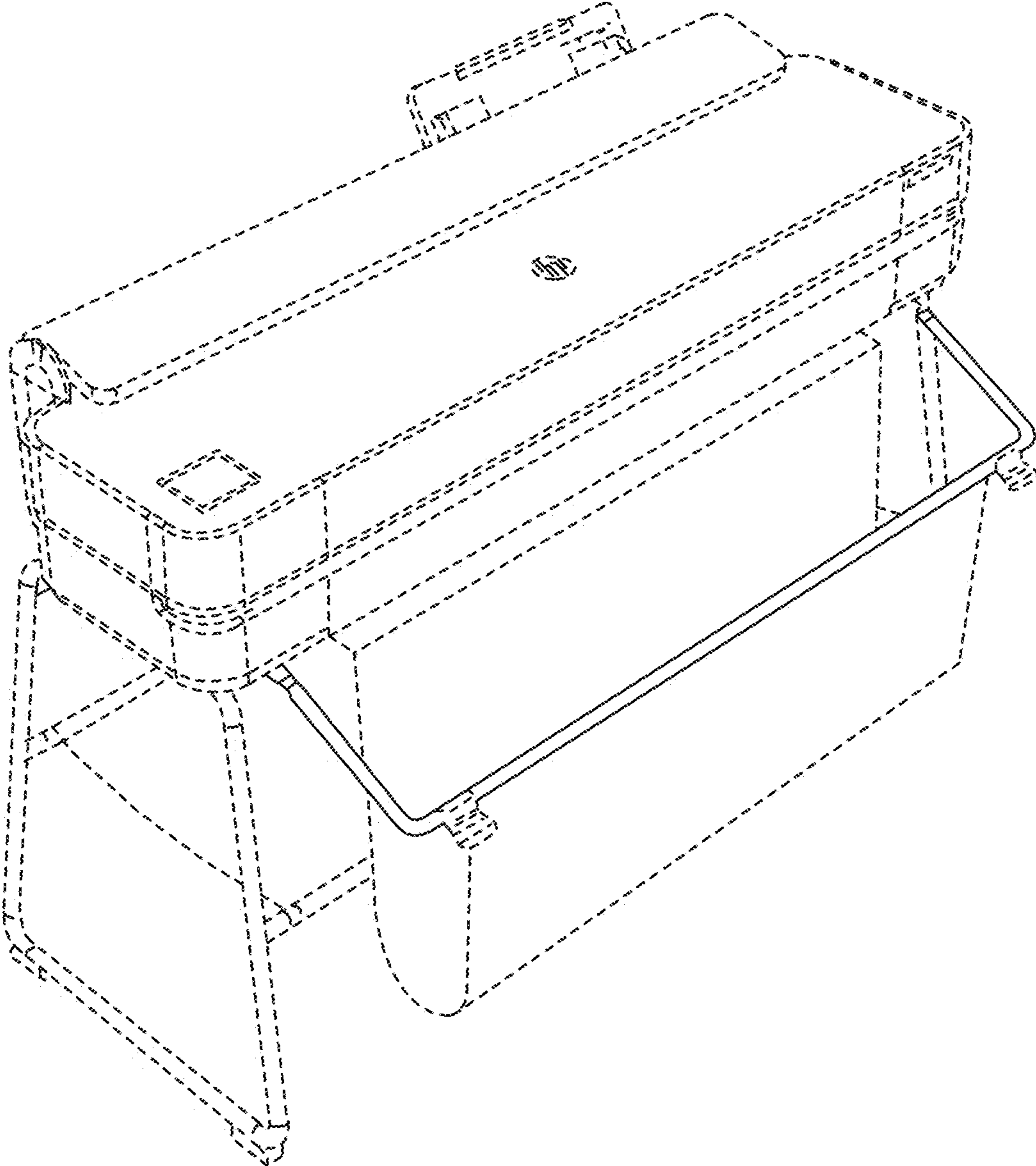


FIG. 1

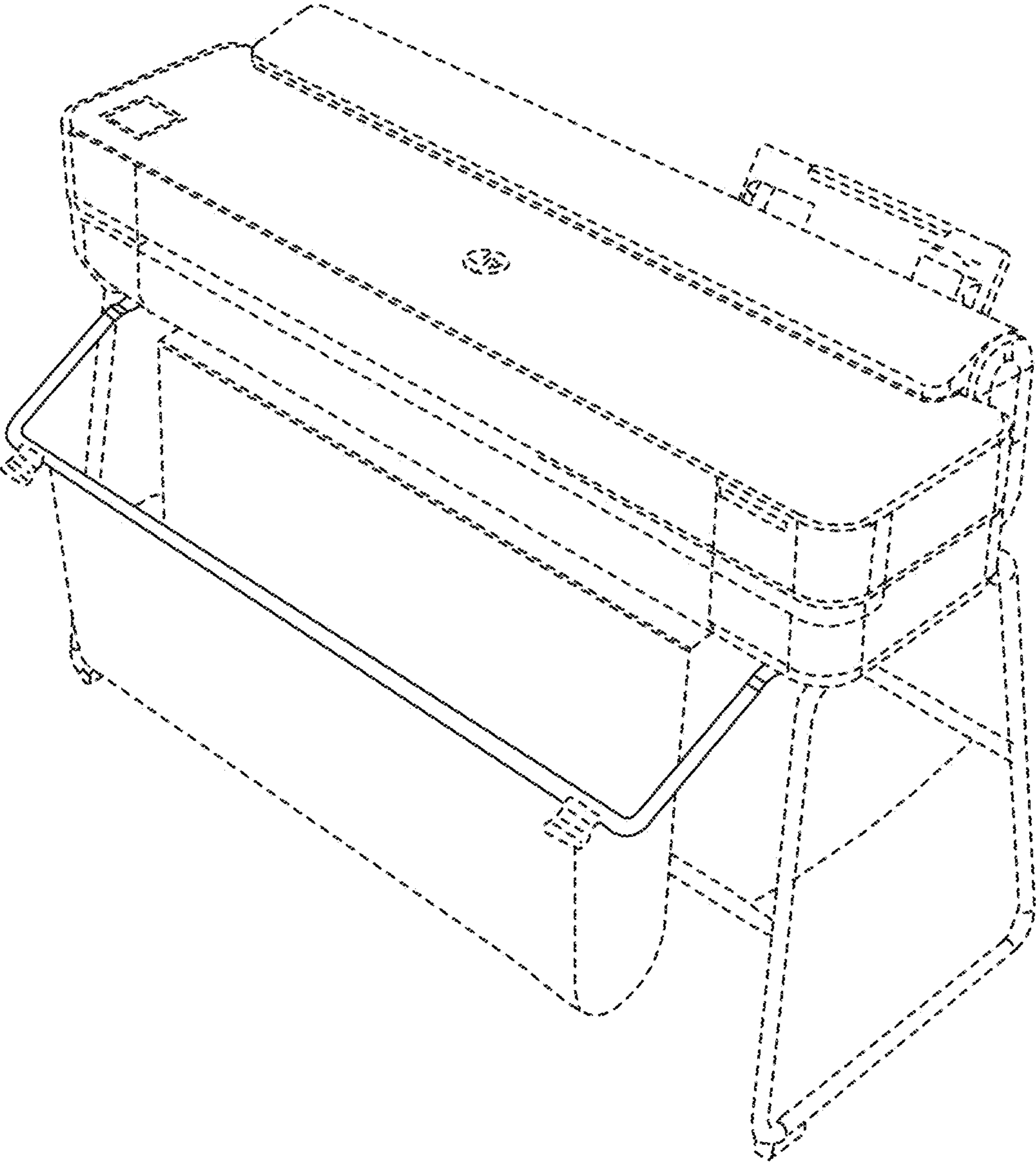


FIG. 2

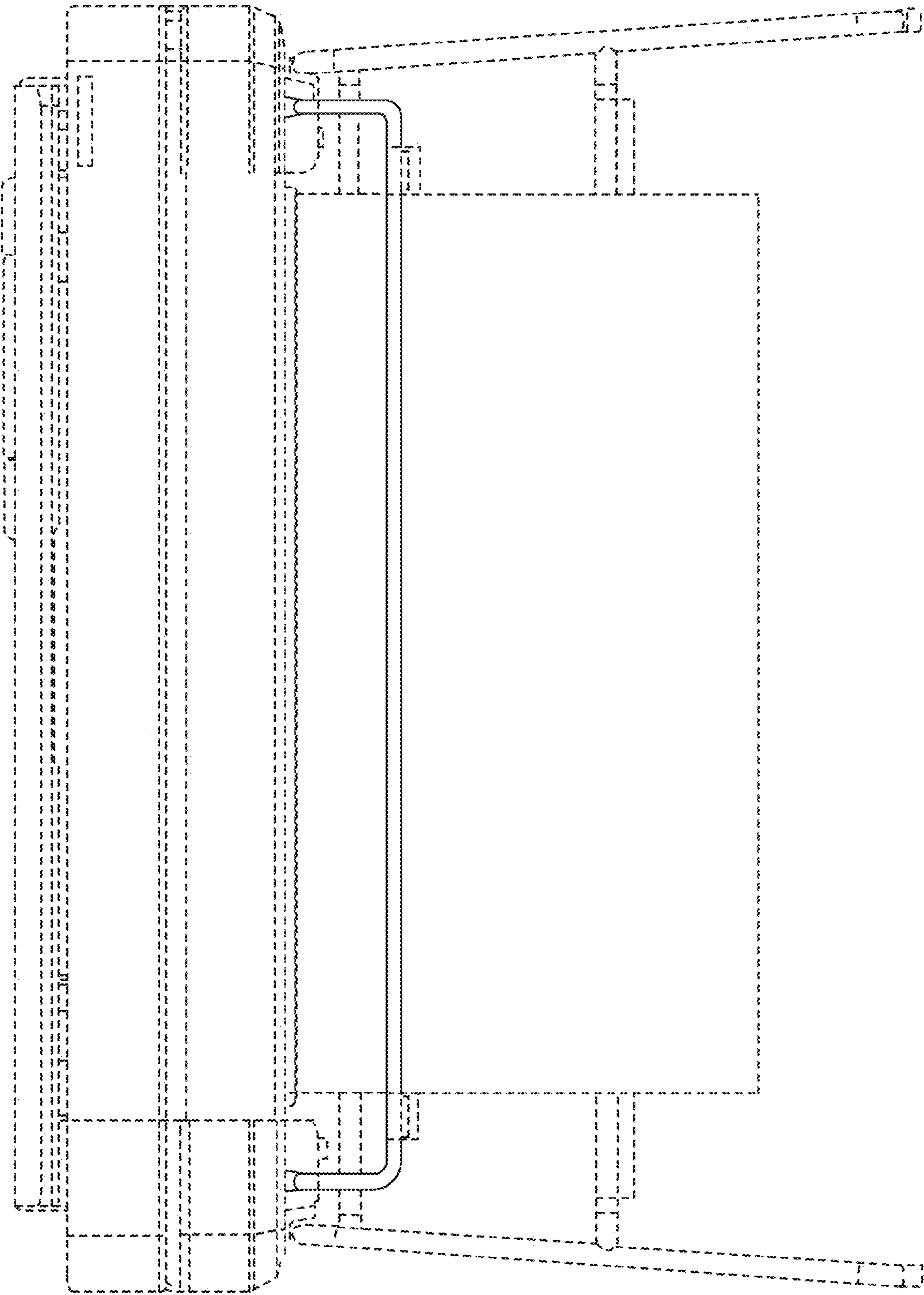


FIG. 3

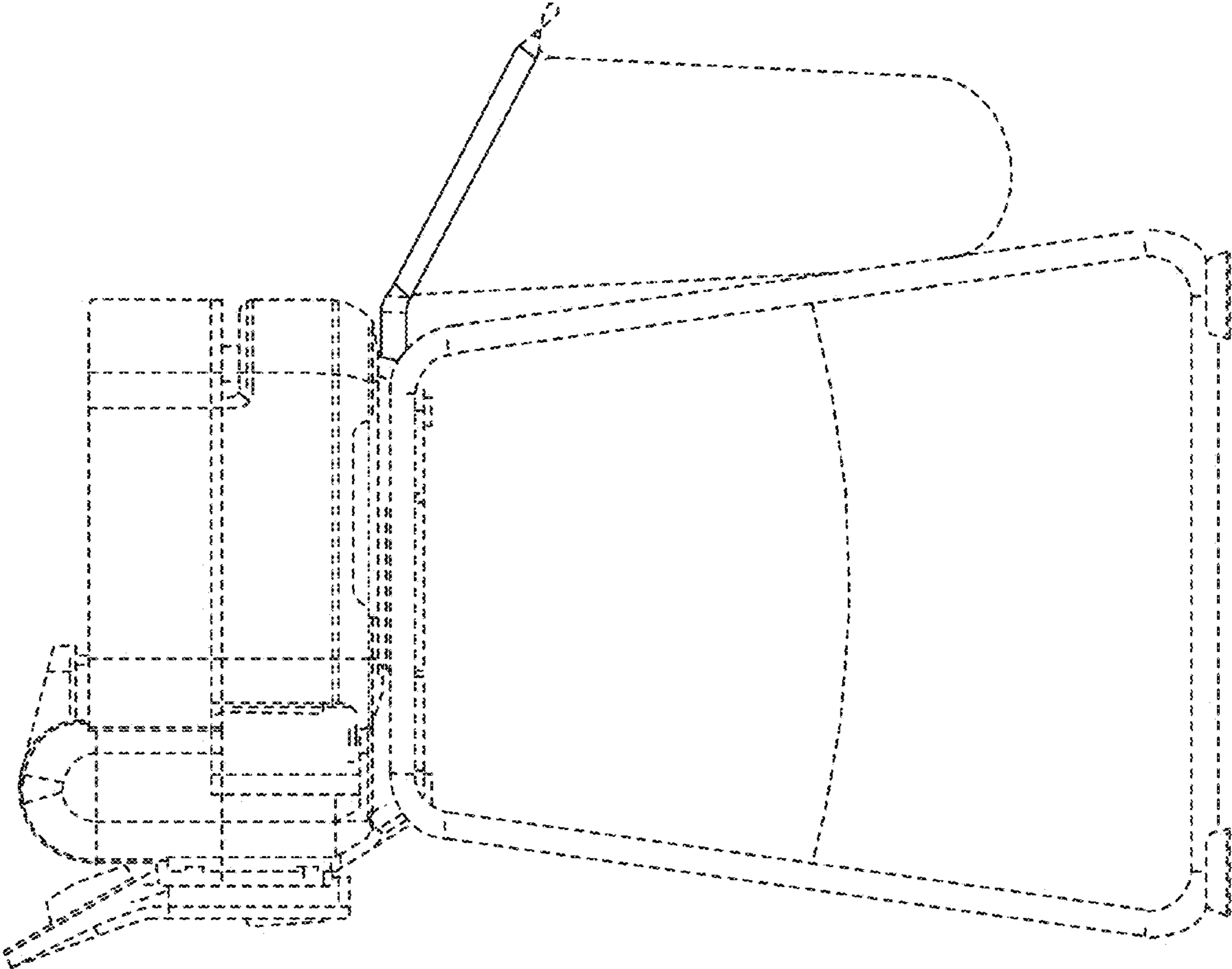


FIG. 4

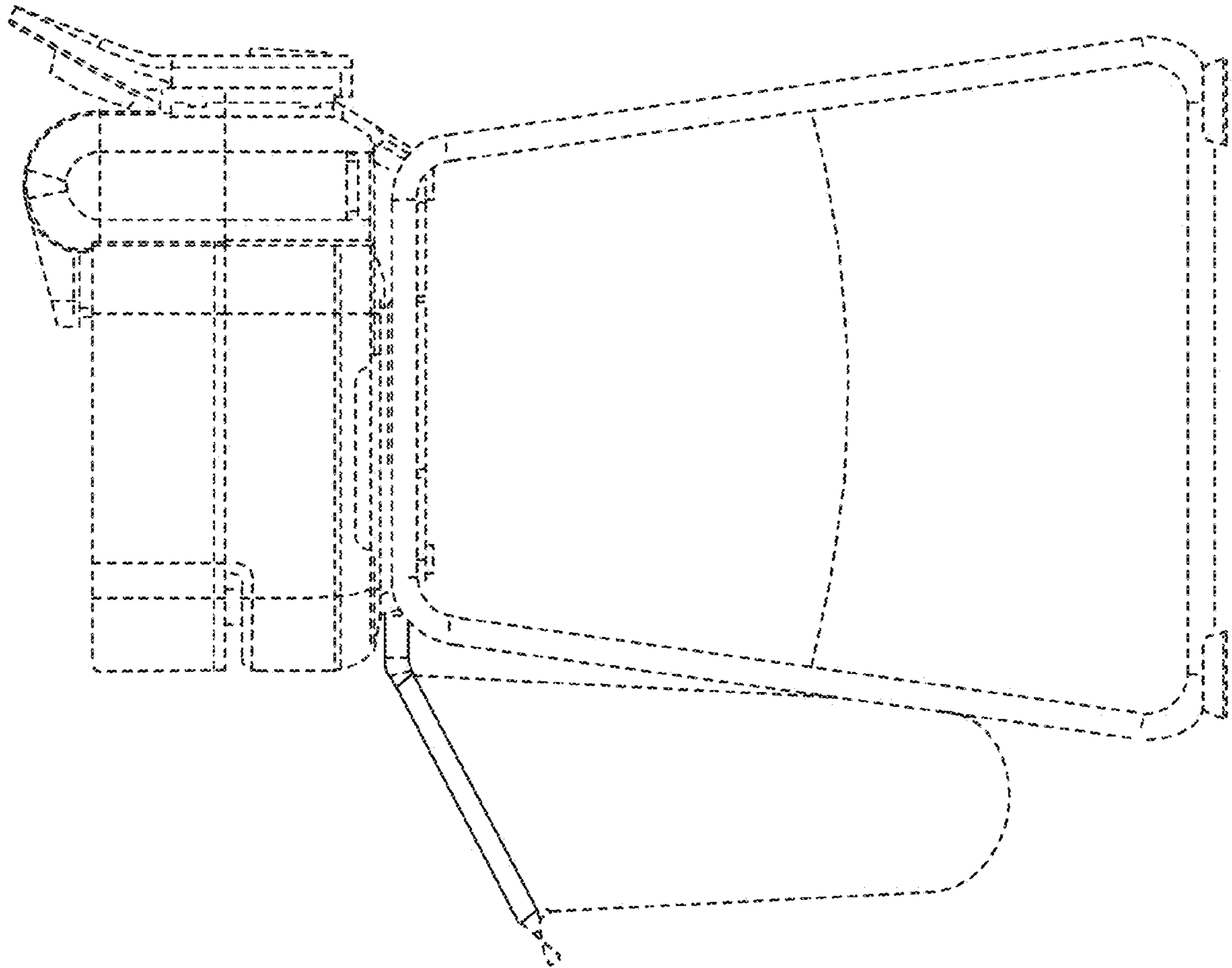


FIG. 5

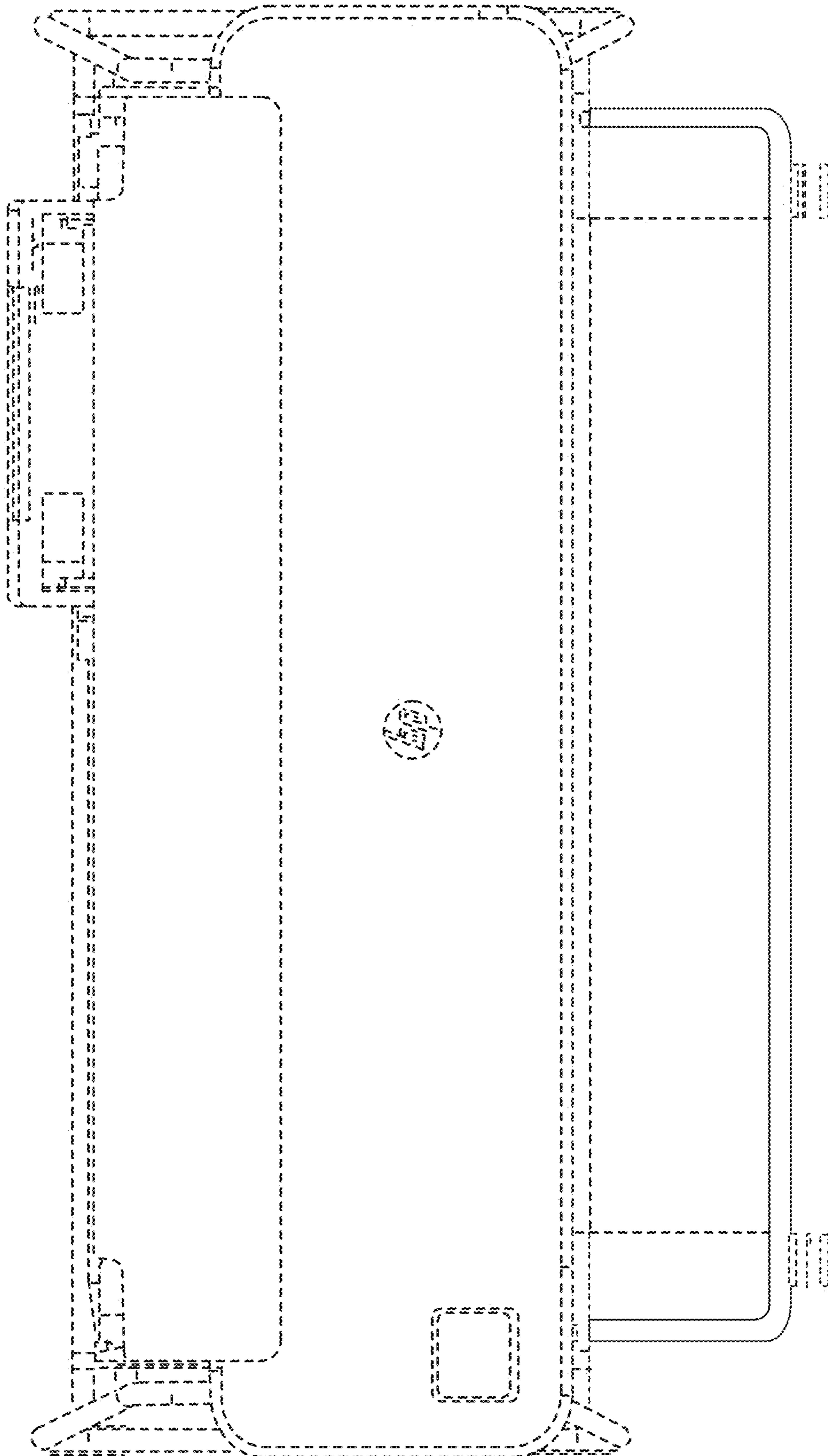


FIG. 6