



US00D973130S

(12) **United States Design Patent**  
**Wang**

(10) **Patent No.:** **US D973,130 S**

(45) **Date of Patent:** **\*\* Dec. 20, 2022**

(54) **PAPER CUTTER**

(71) Applicant: **Huanhuan Wang**, Luohe (CN)

(72) Inventor: **Huanhuan Wang**, Luohe (CN)

(\*\*) Term: **15 Years**

(21) Appl. No.: **29/798,200**

(22) Filed: **Jul. 6, 2021**

(51) **LOC (13) Cl.** ..... **18-04**

(52) **U.S. Cl.**

USPC ..... **D18/34.7**

(58) **Field of Classification Search**

USPC ..... D18/34.1, 34.2, 34.3, 34.4, 34.5, 34.6,  
D18/34.7, 34.8, 34.9; D8/51, 98;  
D15/127

CPC ..... B26D 2007/005; B26D 2007/0087; B26D  
2001/0053; B26D 1/025; B26D 1/035;  
B26D 1/045; B26D 1/065; B26D 1/08;  
B26D 1/085; B26D 1/10; B26D 1/105;  
B26D 1/125; B26D 1/147; B26D 1/1475;  
B26D 1/15; B26D 5/083; B26D 7/22;  
B26D 1/151; B26D 1/153; B26D 1/1535;  
B26D 1/185; B26D 1/305; B26D 1/34;  
B26D 1/345; B26D 1/36; B26D 1/365;  
B26D 1/38; B26D 7/015; B26D 7/025;  
B26D 1/0006; B26D 5/16; B26D 7/2628;  
B26D 7/2614; B26D 1/385; B26D 1/00;  
B26D 1/626; B23D 35/008; Y10T  
83/7763; Y10T 83/8822; Y10T 83/885;  
Y10T 83/8851; Y10T 83/7507; Y10T  
83/8874; Y10T 83/8814; Y10T 83/9493;  
Y10T 83/7533; Y10T 83/8821; Y10T  
83/828; Y10T 83/872; Y10T 83/8841;  
Y10T 83/4827; Y10T 83/9394; Y10S  
83/955

See application file for complete search history.

(56) **References Cited**

**U.S. PATENT DOCUMENTS**

D228,825 S \* 10/1973 Pottern ..... 83/454  
D319,255 S \* 8/1991 Beno ..... D19/75

D321,368 S \* 11/1991 Beno ..... D19/75  
D321,715 S \* 11/1991 Beno ..... D19/75  
5,249,495 A \* 10/1993 Renk ..... B26D 7/00  
83/607  
D377,368 S \* 1/1997 Rellinger ..... D18/34.8  
D409,651 S \* 5/1999 Rellinger ..... D18/34.7

(Continued)

**FOREIGN PATENT DOCUMENTS**

CN 306182884 \* 11/2020  
CN 306929274 \* 11/2021  
JP D1175308 \* 6/2003

**OTHER PUBLICATIONS**

Amazon. Link: [https://www.amazon.com/Fiskars-197300-1001-Crafting-Trimmer-12-Inch/dp/B0019IDJXW/ref=sr\\_1\\_1?crid=3NGCEFCVWB55&keywords=B0019IDJXW&qid=1645734177&s=arts-crafts&sprefix=b0019idjxw%2Carts-crafts%2C47&sr=1-1](https://www.amazon.com/Fiskars-197300-1001-Crafting-Trimmer-12-Inch/dp/B0019IDJXW/ref=sr_1_1?crid=3NGCEFCVWB55&keywords=B0019IDJXW&qid=1645734177&s=arts-crafts&sprefix=b0019idjxw%2Carts-crafts%2C47&sr=1-1).  
Jul. 2, 2009. Fiskars 197300-1001 Papercrafting Bypass Trimmer.  
(Year: 2009).\*

(Continued)

*Primary Examiner* — Lauren D McVey

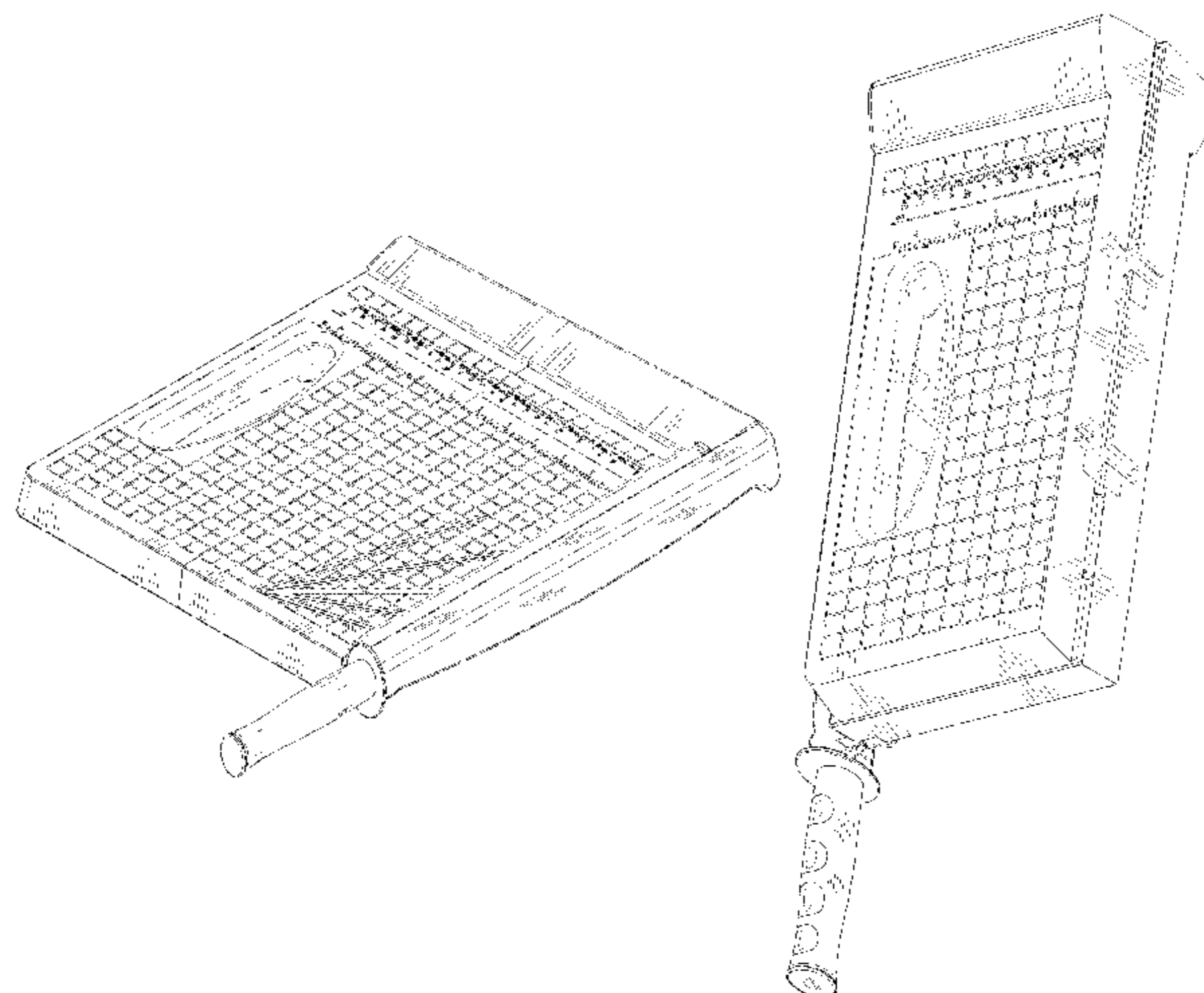
(57) **CLAIM**

The ornamental design for a paper cutter, as shown and described.

**DESCRIPTION**

FIG. 1 is a top, front and right side perspective view of a paper cutter showing our new design;  
FIG. 2 is a top plan view thereof;  
FIG. 3 is a bottom plan view thereof;  
FIG. 4 is a left side elevational view thereof;  
FIG. 5 is a right side elevational view thereof;  
FIG. 6 is a rear elevational view thereof;  
FIG. 7 is a front elevational view thereof;  
FIG. 8 is a bottom, rear and right side perspective view thereof; and,  
FIG. 9 is a folding state view thereof.

**1 Claim, 9 Drawing Sheets**



(56)

**References Cited**

U.S. PATENT DOCUMENTS

D443,294 S \* 6/2001 Munoz ..... D18/34.7  
6,460,443 B1 \* 10/2002 Hsiao ..... B26D 1/185  
83/614  
D675,251 S \* 1/2013 Roberts ..... D18/34.3  
2009/0300924 A1 \* 12/2009 Corcoran ..... B26D 7/015  
30/290  
2011/0138982 A1 \* 6/2011 Block ..... B26D 7/27  
83/520  
2012/0125173 A1 \* 5/2012 Nelson ..... B26D 1/065  
83/886

OTHER PUBLICATIONS

Hobby Lobby. Link: <https://www.hobbylobby.com/Scrapbook-Paper-Crafts/Accessories-Tools/Scissors-Trimmers/Paper-Trimmer/p/80978639>. Visited Feb. 15, 2022. Fiskars Paper Trimmer. (Year: 2022).\*

Walmart. Link: <https://www.walmart.com/ip/Making-Memories-Folding-Paper-Trimmer-Boxed-12-X12/10770863>. Visited Feb. 24, 2022. Folding Making Memories Paper Trimmer. (Year: 2022).\*

Amazon. Link: [https://www.amazon.com/Fiskars-01-005452-Recycled-Bypass-Trimmer/dp/B003SLAAOO/ref=sr\\_1\\_1?crid=2HI23FZB2CUYR&keywords=B003SLAAOO&qid=1645734033&s=arts-crafts&prefix=b003slaaoo%2Carts-crafts%2C65&sr=1-1](https://www.amazon.com/Fiskars-01-005452-Recycled-Bypass-Trimmer/dp/B003SLAAOO/ref=sr_1_1?crid=2HI23FZB2CUYR&keywords=B003SLAAOO&qid=1645734033&s=arts-crafts&prefix=b003slaaoo%2Carts-crafts%2C65&sr=1-1). Oct. 17, 2017. Fiskars 01-005452 Recycled Bypass Trimmer, 12 Inch, Black. (Year: 2017).\*

\* cited by examiner

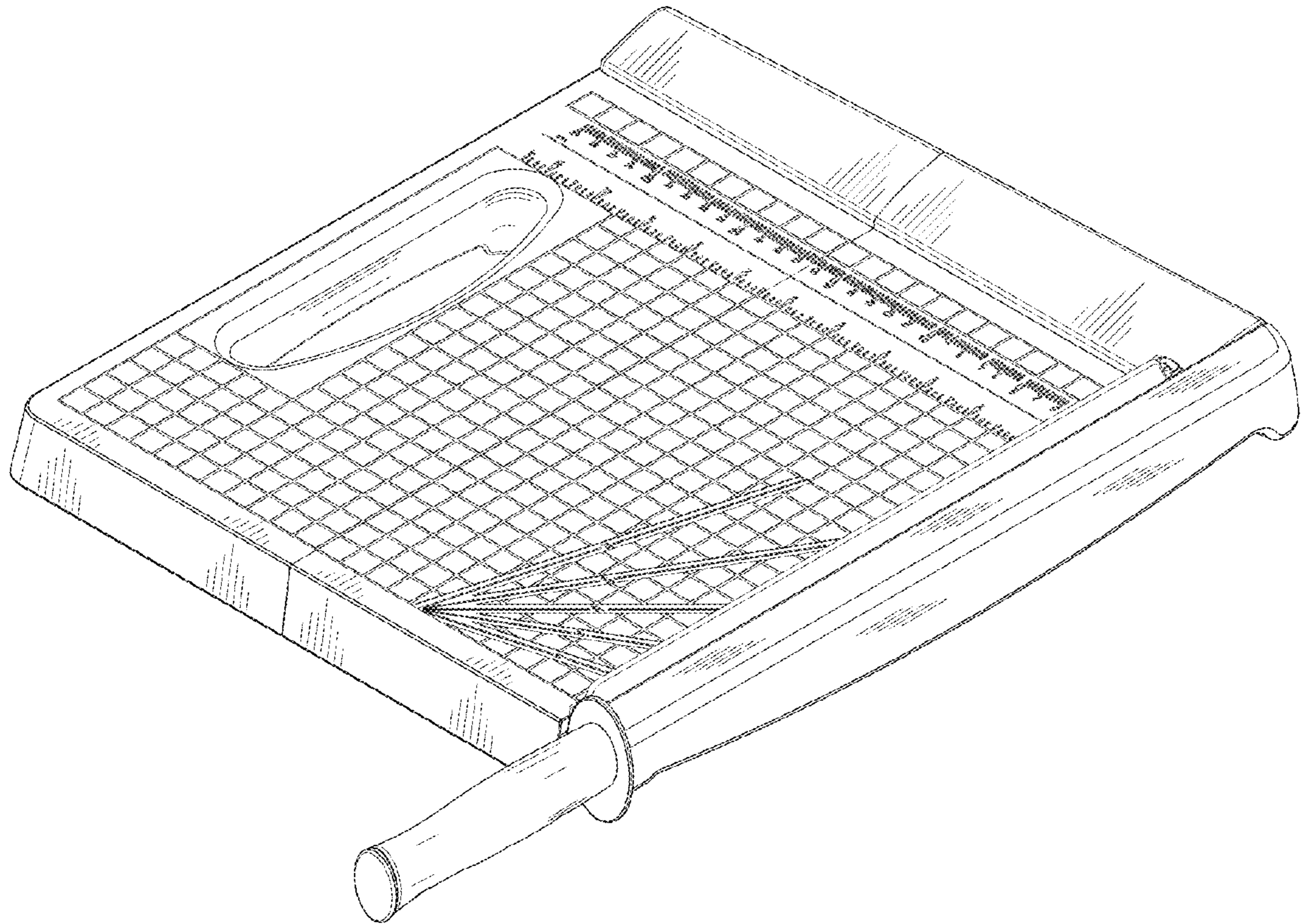


FIG. 1

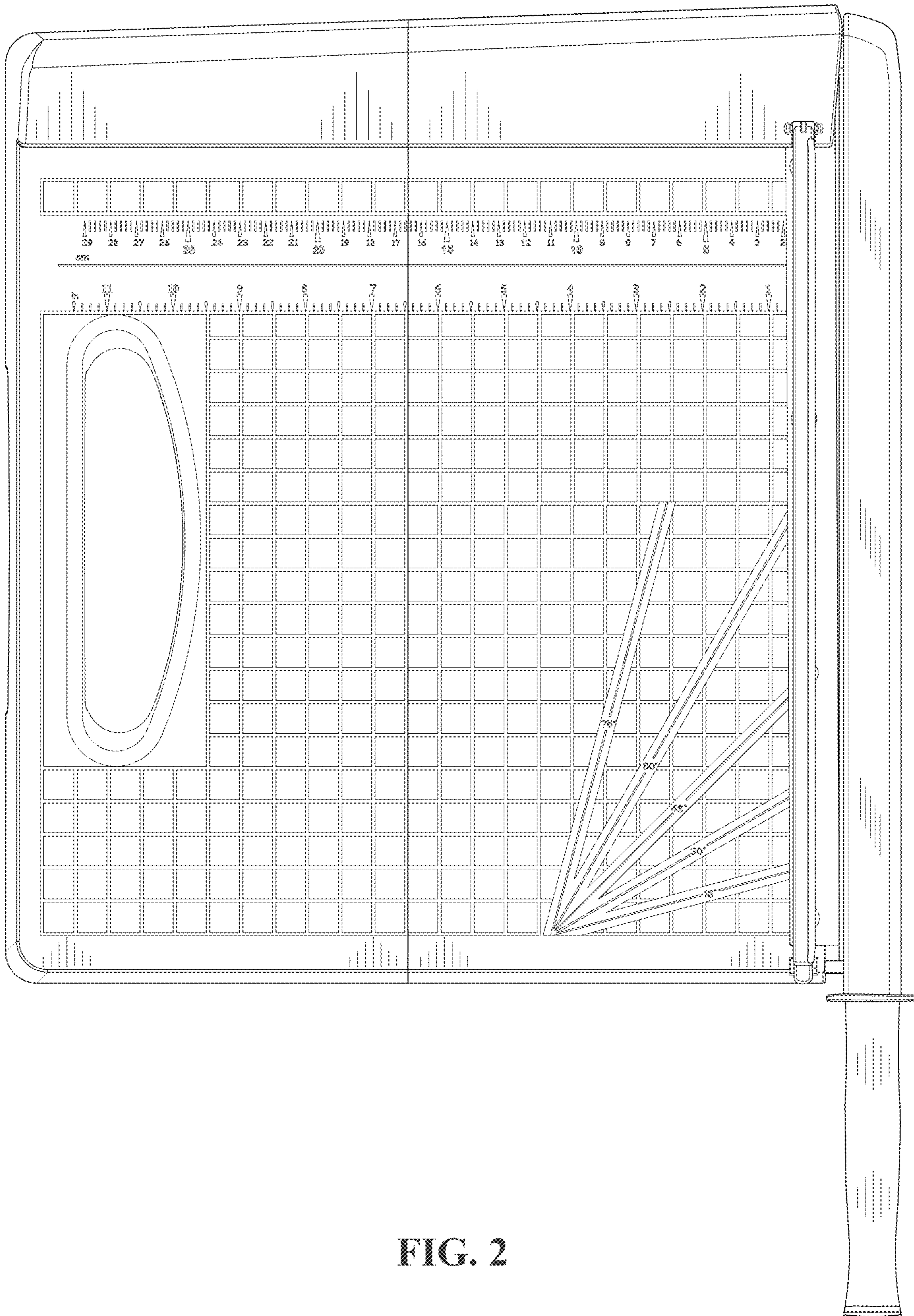


FIG. 2

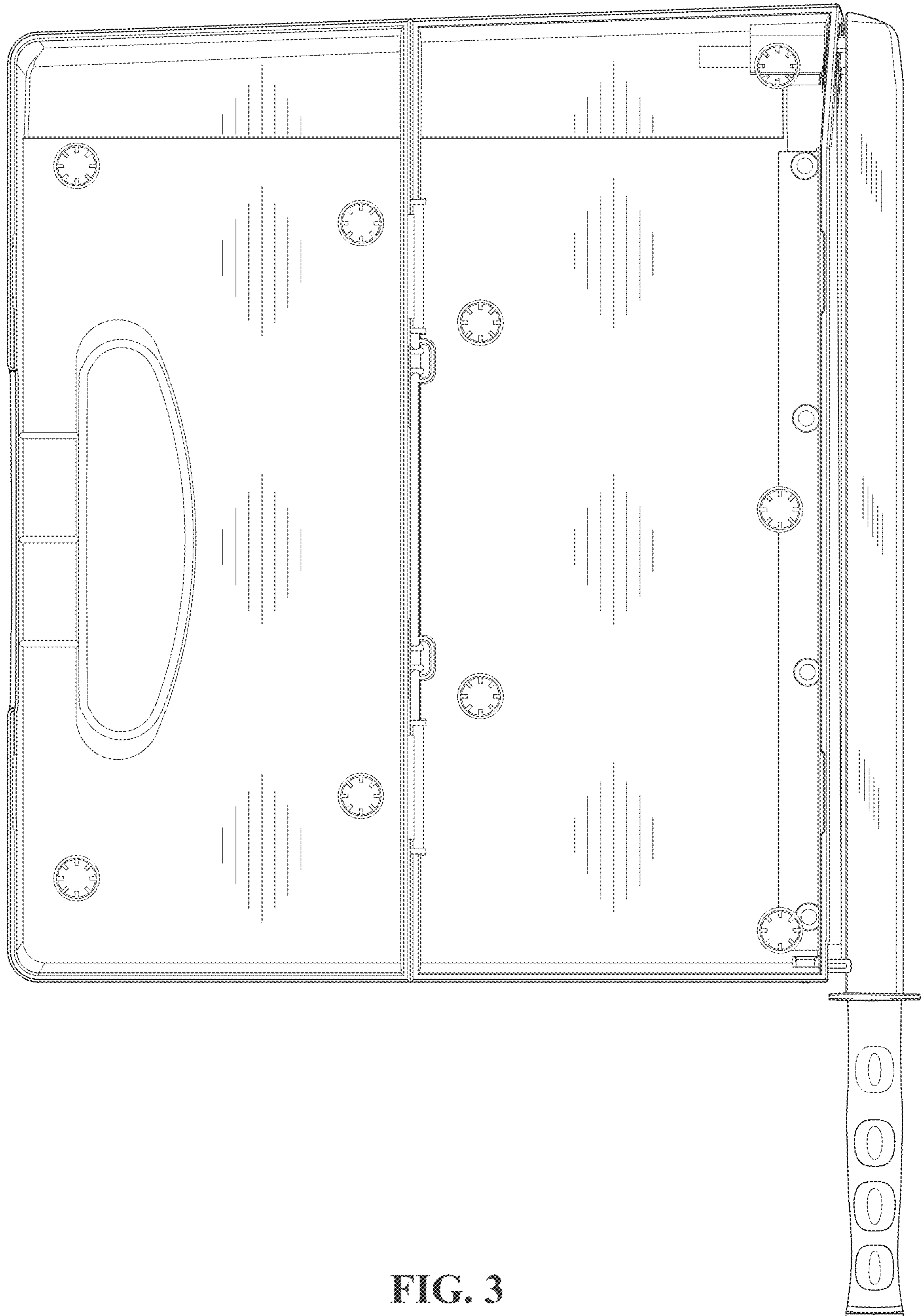


FIG. 3

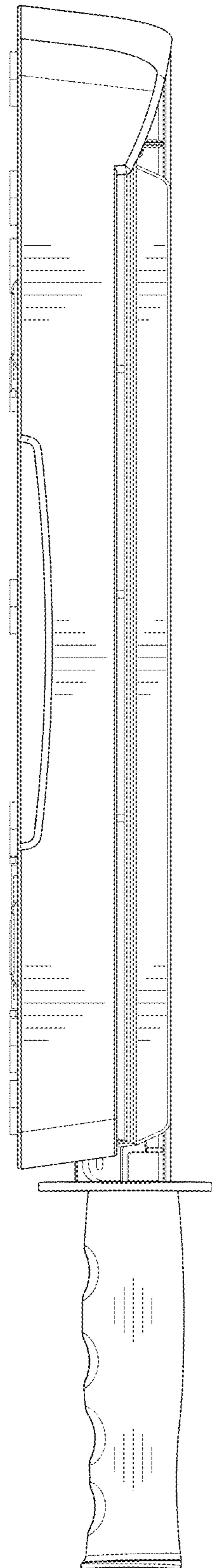


FIG. 4

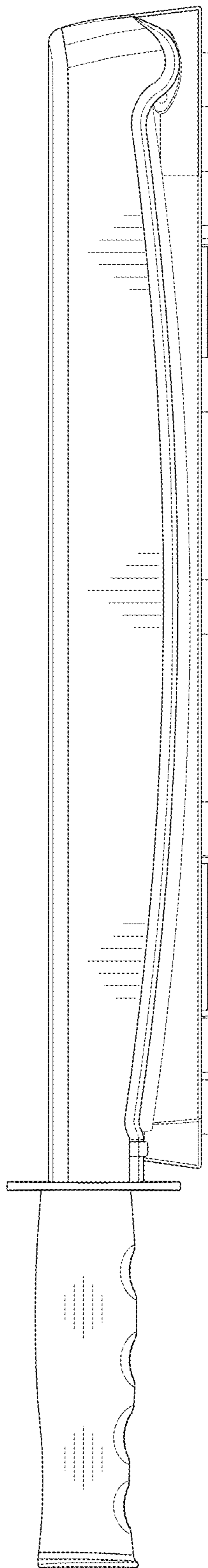


FIG. 5

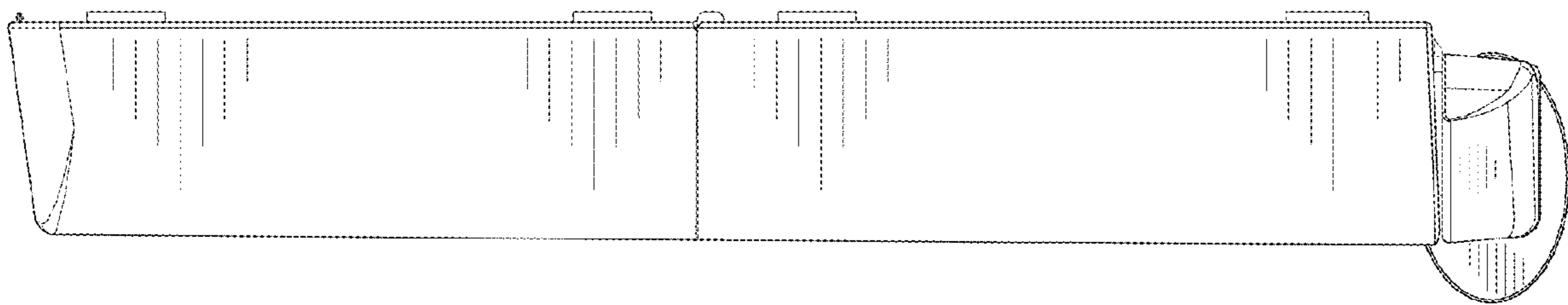


FIG. 6



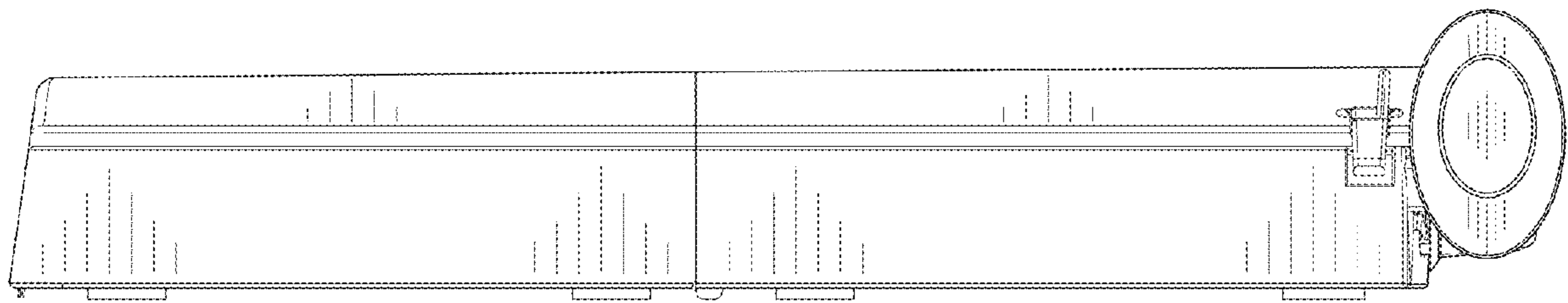


FIG. 7

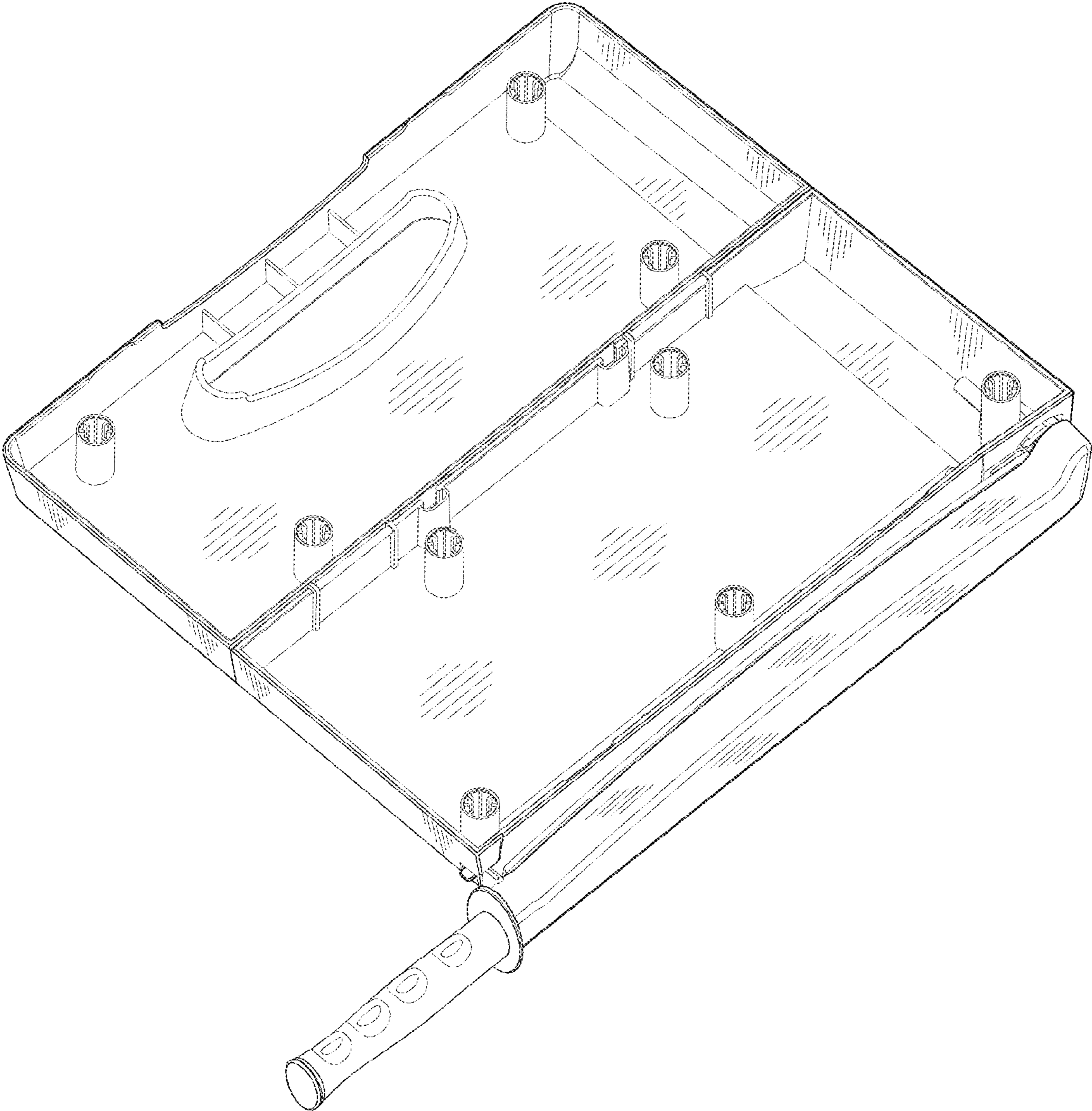


FIG. 8

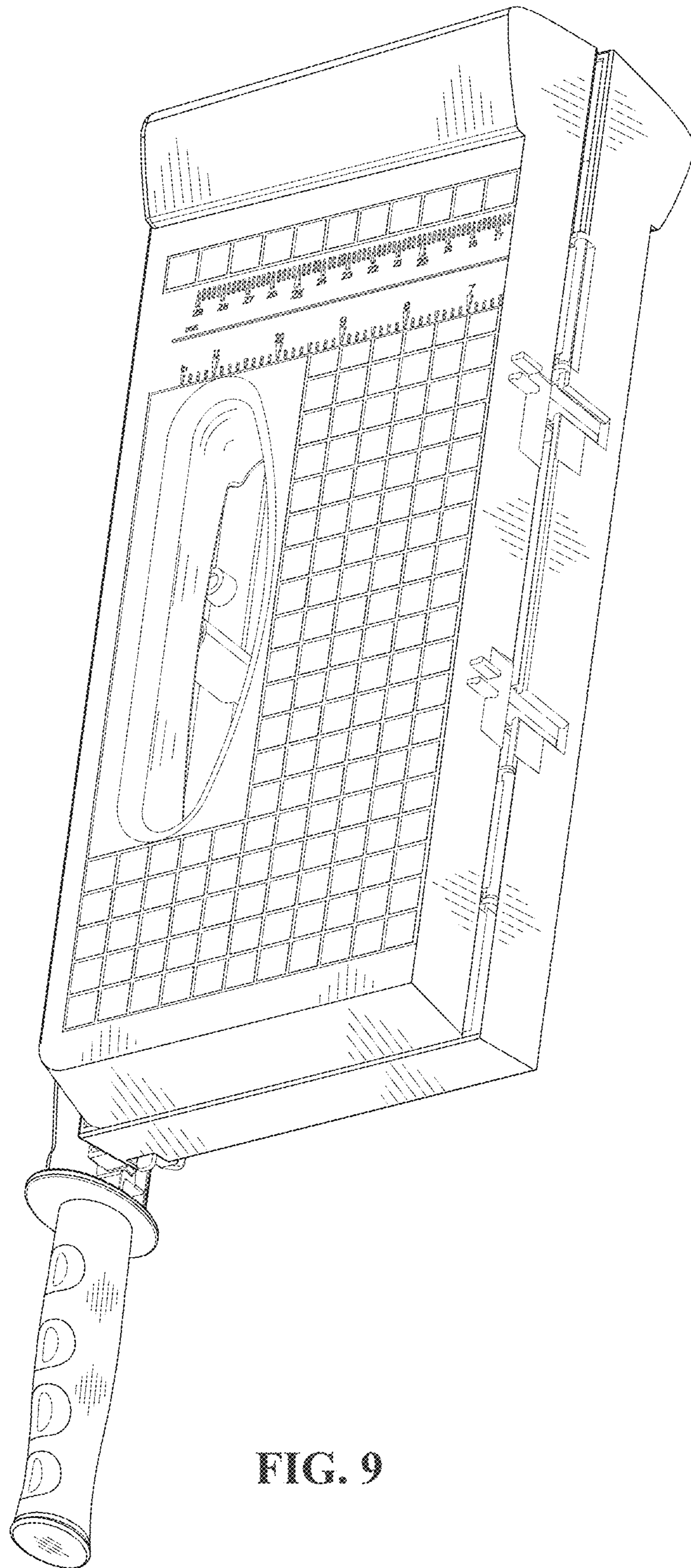


FIG. 9