



US00D973129S

(12) **United States Design Patent**
Slaton

(10) **Patent No.:** **US D973,129 S**

(45) **Date of Patent:** **** Dec. 20, 2022**

(54) **PEDALBOARD**

(71) Applicant: **Guitar Center, Inc.**, Westlake Village,
CA (US)

(72) Inventor: **Robin Richard Slaton**, Fort Collins,
CO (US)

(73) Assignee: **Guitar Center, Inc.**, Westlake Village,
CA (US)

(**) Term: **15 Years**

(21) Appl. No.: **29/796,321**

(22) Filed: **Jun. 23, 2021**

(51) **LOC (13) Cl.** **17-03**

(52) **U.S. Cl.**
USPC **D17/20**

(58) **Field of Classification Search**
USPC D17/9, 13, 20, 24, 99; D21/405;
D14/158, 172, 203.1, 210, 215, 216, 217
CPC G10D 99/00; G10D 13/11; G10H 1/0033;
G10H 1/0066; G10H 1/0575; G10F 1/06
See application file for complete search history.

(56) **References Cited**

U.S. PATENT DOCUMENTS

6,459,023	B1	10/2002	Chandler	
6,538,185	B1	3/2003	Stratton	
8,138,406	B2	3/2012	Vinciguerra	
D776,188	S *	1/2017	Beck	D17/1
D809,484	S *	2/2018	Shi	D14/217
D819,121	S *	5/2018	Kushner	D17/20
D832,333	S *	10/2018	Kushner	D17/20
D832,334	S *	10/2018	Kushner	D17/20
D862,577	S *	10/2019	Lackner	D17/20
D862,579	S *	10/2019	Lackner	D17/20

D862,582	S *	10/2019	Lackner	D17/20
D934,337	S *	10/2021	Trifilio	D17/20
D934,948	S *	11/2021	Trifilio	D17/20
D959,541	S *	8/2022	Trifilio	D17/20
D959,542	S *	8/2022	Trifilio	D17/20
2004/0250673	A1	12/2004	Salerno	
2019/0287504	A1	9/2019	O'Brien	

* cited by examiner

Primary Examiner — R. Johnson

(74) *Attorney, Agent, or Firm* — SoCal IP Law Group
LLP; Guy Cumberbatch; Steven Sereboff

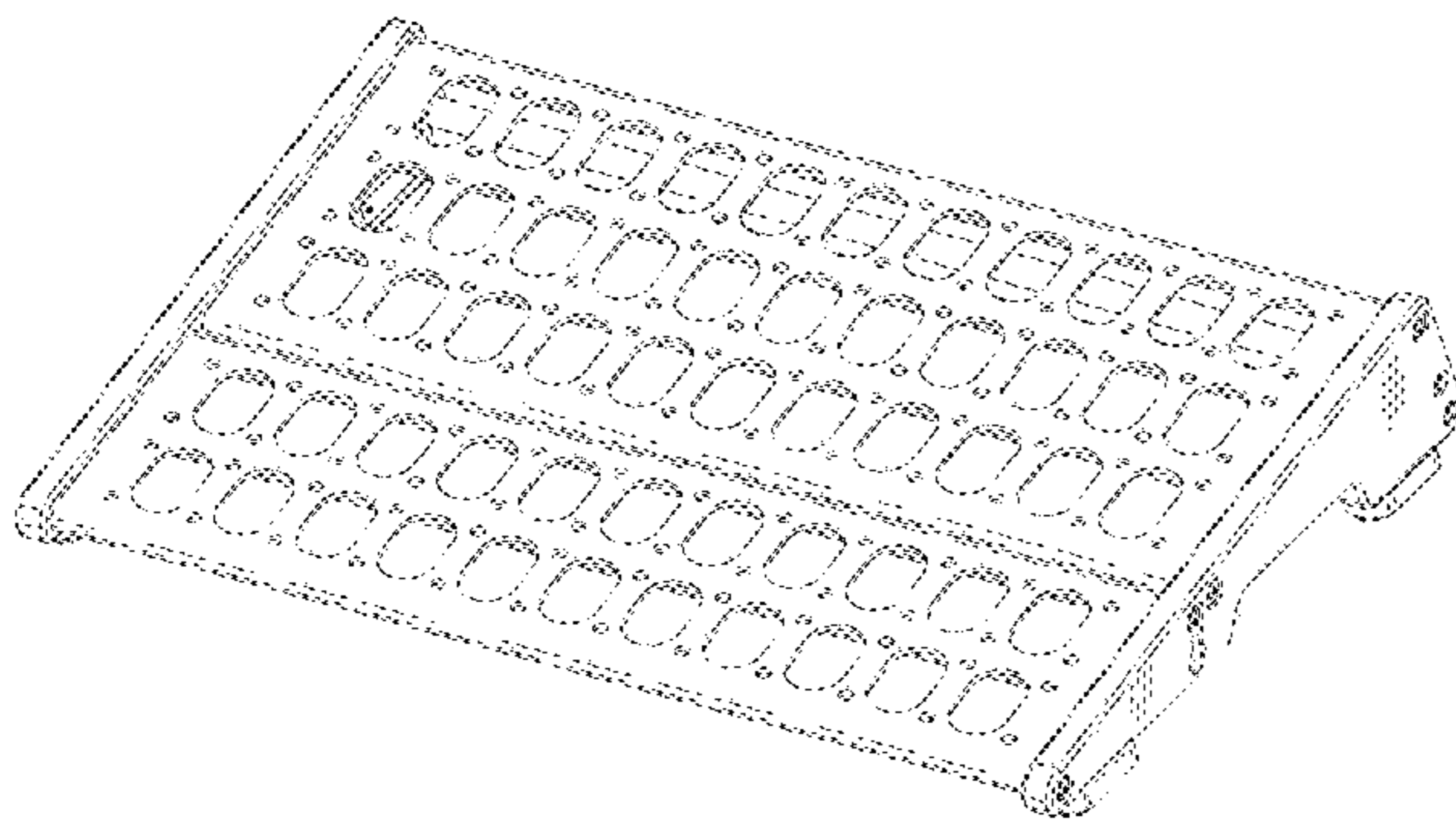
(57) **CLAIM**

The ornamental design for a pedalboard, as shown and described.

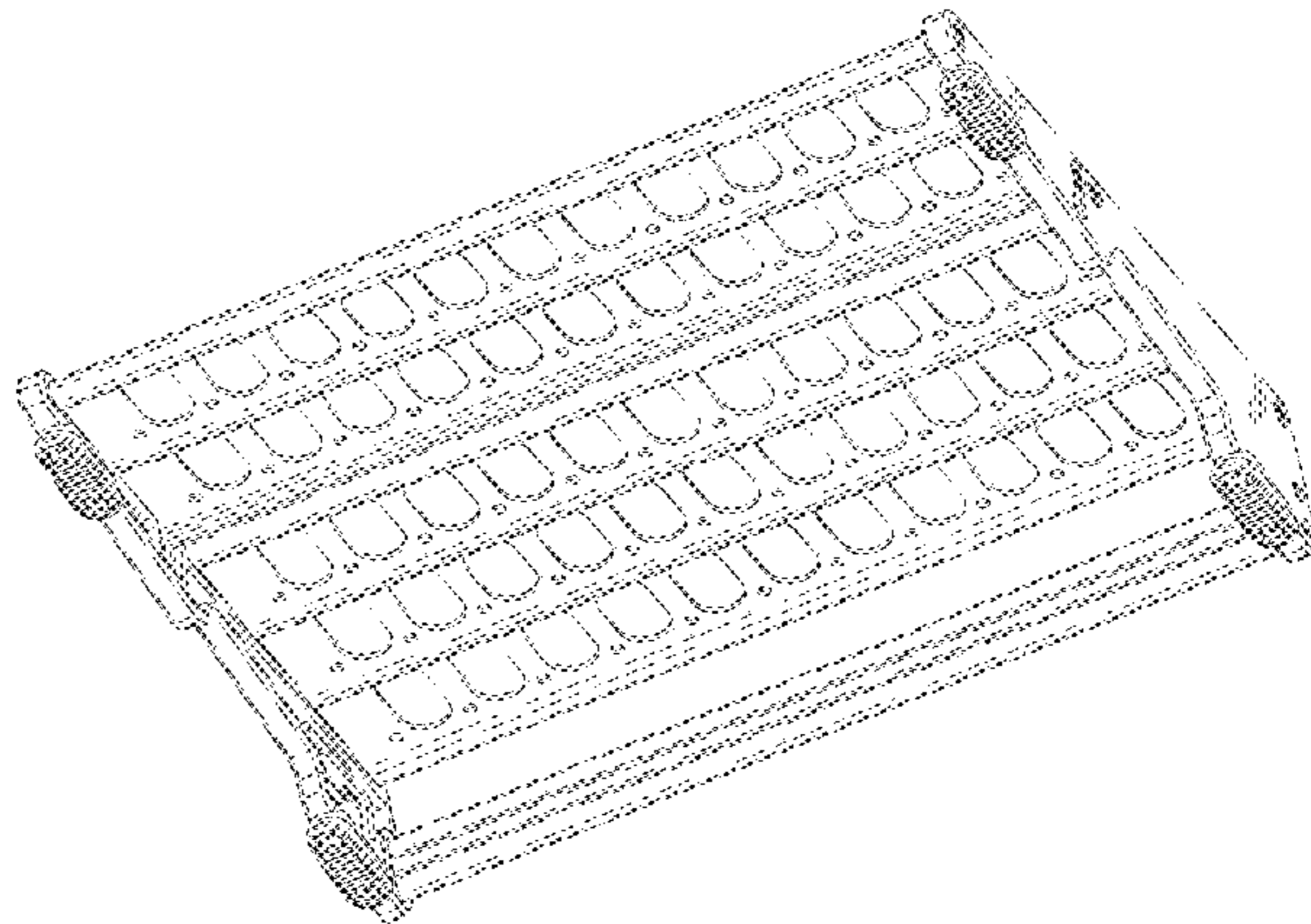
DESCRIPTION

A portion of the disclosure of this patent document contains material which is subject to copyright protection. This patent document may show and/or describe matter which is or may become trade dress of the owner. The copyright and trade dress owner has no objection to the facsimile reproduction by anyone of the patent disclosure as it appears in the Patent and Trademark Office patent files or records, but otherwise reserves all copyright and trade dress rights whatsoever. FIG. 1 is a top perspective view of a foot pedal; FIG. 2 is a bottom perspective view of the foot pedal; FIG. 3 is a left side elevational view of the foot pedal; the right side elevational view is a mirror image of the left side; FIG. 4 is a front elevational view of the foot pedal; FIG. 5 is a rear elevational view of the foot pedal; FIG. 6 is a top plan view of the foot pedal; and, FIG. 7 is a bottom plan view of the foot pedal.

1 Claim, 5 Drawing Sheets

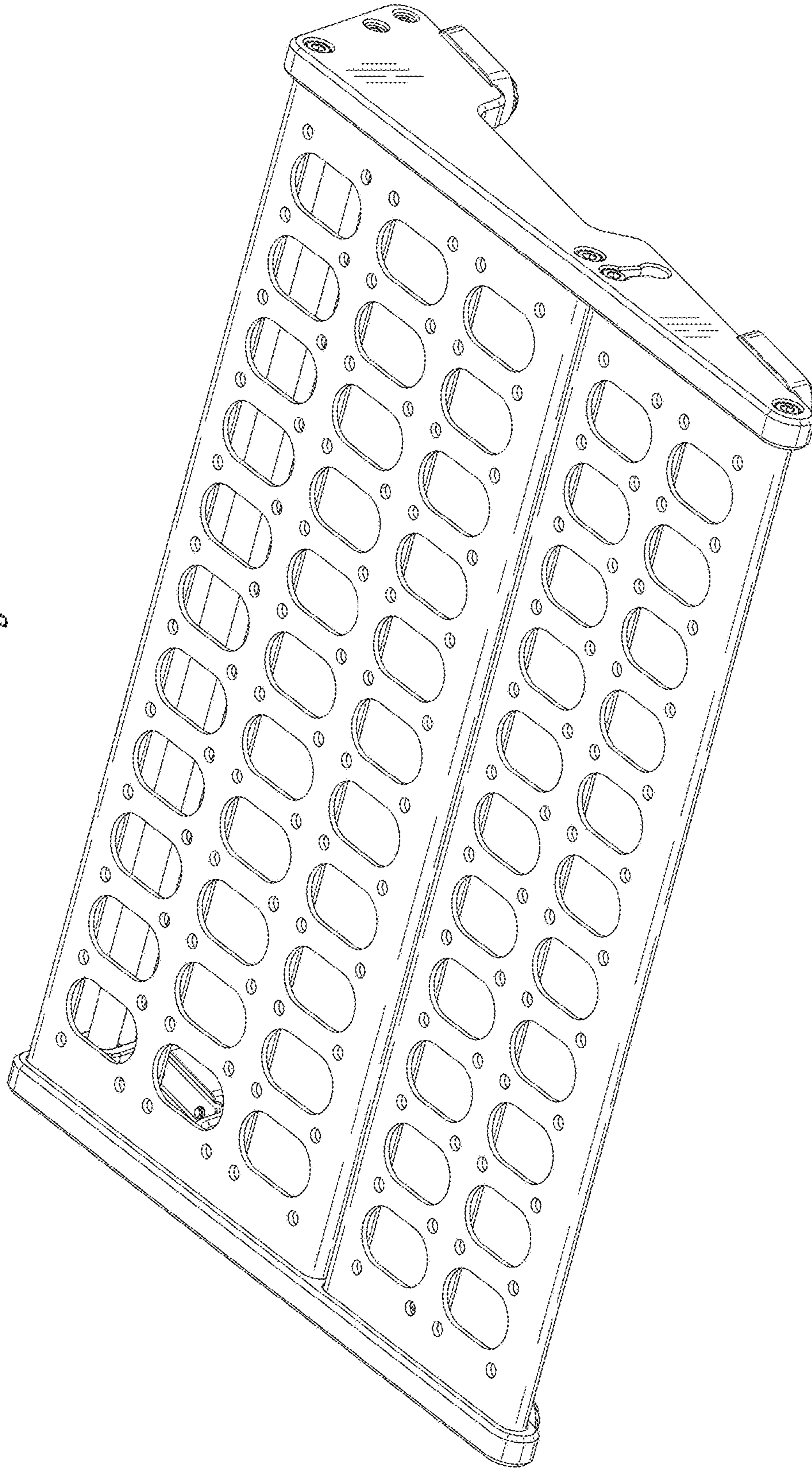


© 2021 Guitar Center, Inc.



© 2021 Guitar Center, Inc.

Fig. 1



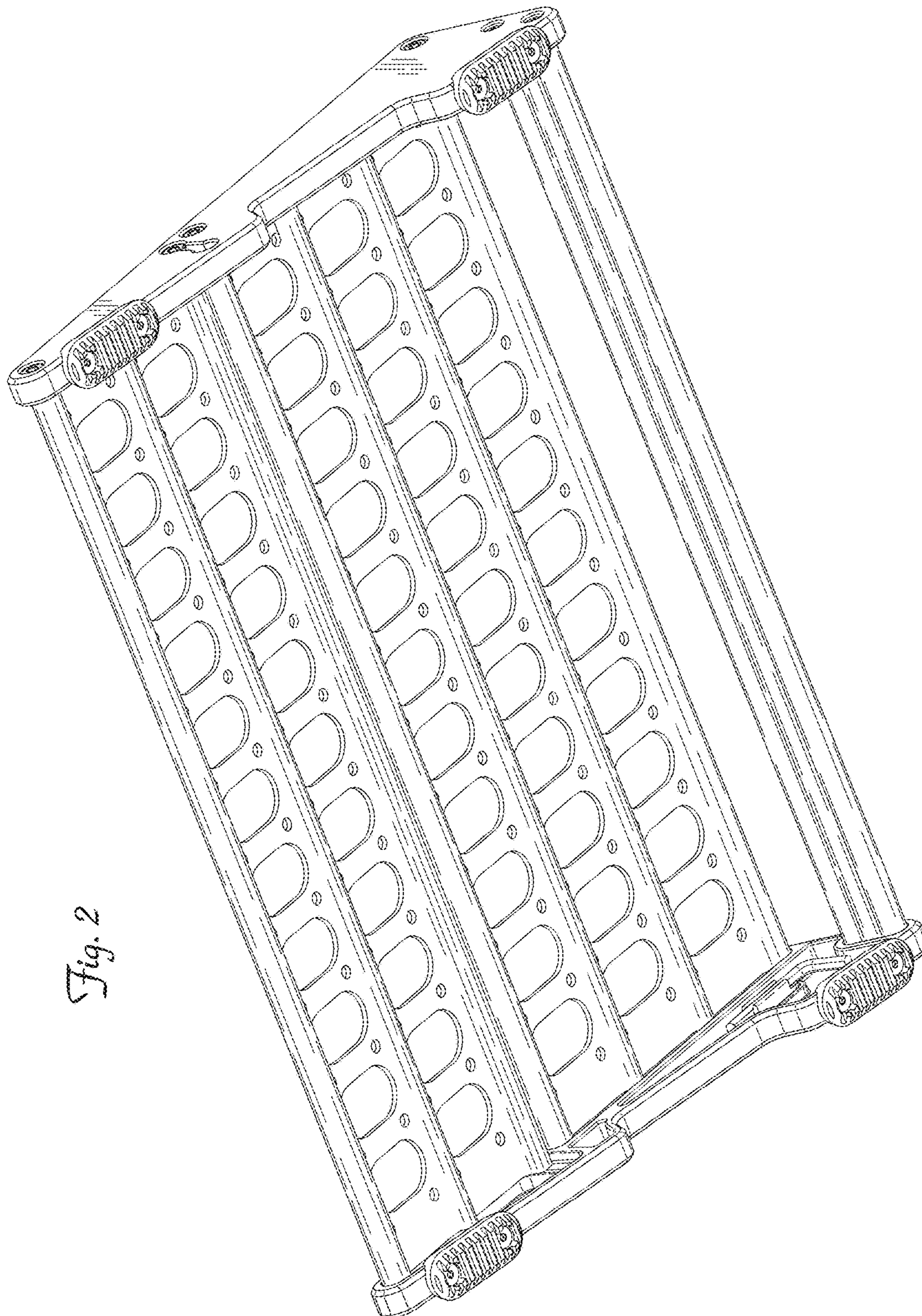


Fig. 2

Fig. 3

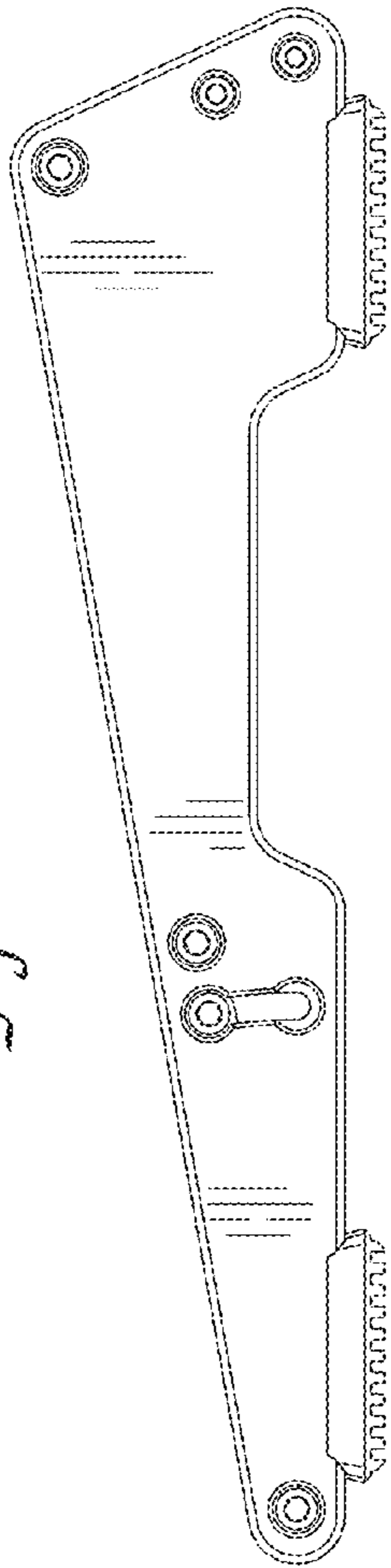


Fig. 4

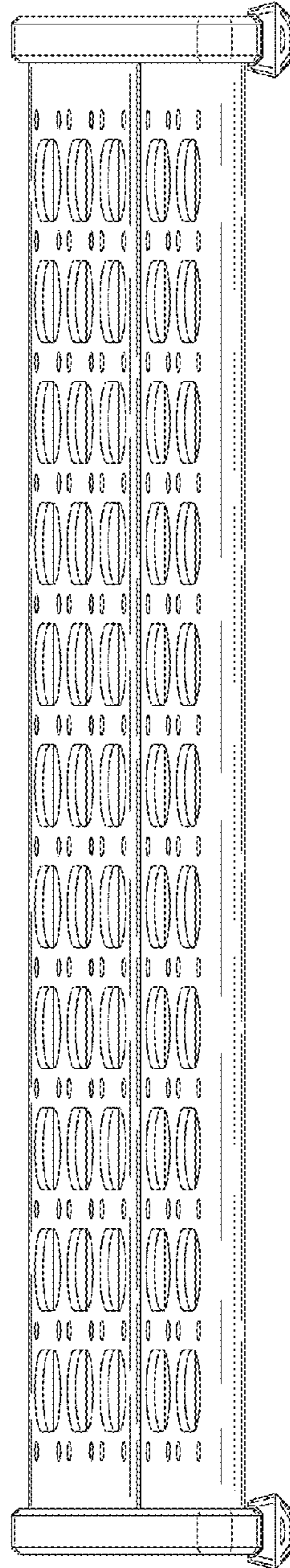


Fig. 5

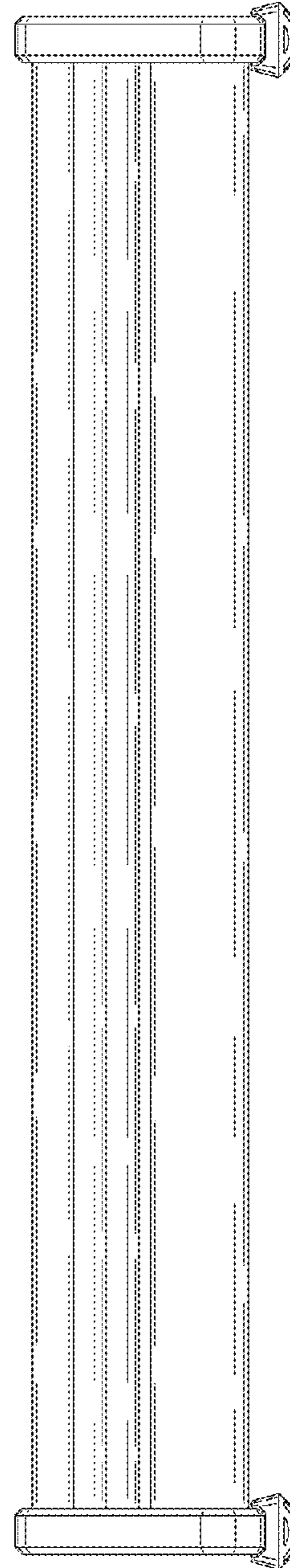


Fig. 6

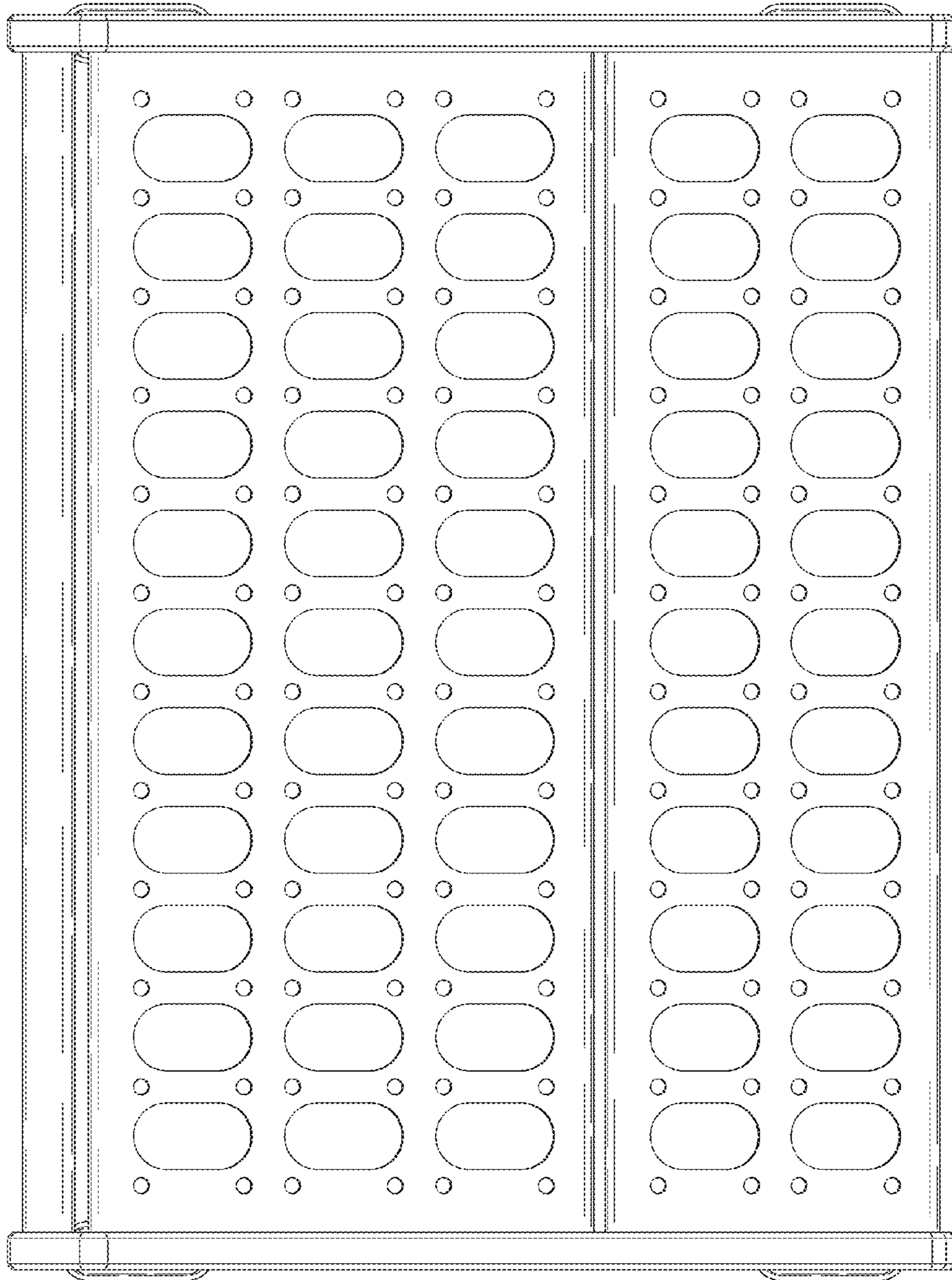


Fig. 7

