



US00D973128S

(12) **United States Design Patent**
Wang

(10) **Patent No.:** **US D973,128 S**
(45) **Date of Patent:** **** Dec. 20, 2022**

(54) **HANDHELD PORTABLE PHOTOGRAPHY TRIPOD**

(71) Applicant: **PGYTECH CO., LTD.**, Jiangsu (CN)

(72) Inventor: **Jun Wang**, Jiangsu (CN)

(73) Assignee: **PGYTECH CO., LTD.**, Kunshan (CN)

(**) Term: **15 Years**

(21) Appl. No.: **29/758,177**

(22) Filed: **Nov. 12, 2020**

(30) **Foreign Application Priority Data**

Sep. 3, 2020 (CN) 202030517533.3

(51) **LOC (13) Cl.** **16-05**

(52) **U.S. Cl.**
USPC **D16/244; D16/243**

(58) **Field of Classification Search**
USPC D16/219, 237-250; D8/354, 355, 363, D8/373, 382-383, 394-396; D14/224, D14/229, 238, 251, 253, 447, 451, 457; D22/100, 108, 109, 110, 111, 113, 115, D22/116, 199; D26/118; D21/567, 573
CPC F16M 11/06-10; F16M 11/14; G02B 7/00-002; G03B 17/561-566; H04N 5/2253-2254; F41A 23/10; F41A 21/16; F41A 21/22; F41C 23/00; F41C 7/00; F41J 1/10; F41G 1/30
See application file for complete search history.

(56) **References Cited**

U.S. PATENT DOCUMENTS

4,648,698 A * 3/1987 Iwasaki F16M 13/00 396/419
D349,717 S * 8/1994 Akaike D16/244
5,384,609 A * 1/1995 Ogawa F16M 11/10 396/419
D532,436 S * 11/2006 Kruse D16/244

D658,189 S * 4/2012 Zhao D14/447
8,770,539 B1 * 7/2014 Hsu F16M 13/04 248/688
D787,499 S * 5/2017 Lee D14/253
10,247,353 B1 * 4/2019 Chen G03B 17/561
(Continued)

FOREIGN PATENT DOCUMENTS

CN 305888097 * 6/2019
CN 305689281 * 4/2020
(Continued)

OTHER PUBLICATIONS

SmallRig Charging Tripod with Smartphone Holder, product availability unknown [online], no video/pictured review [online], [site visited Mar. 24, 2022]:URL:<https://www.bhphotovideo.com/c/product/1665657-REG/smallrig_3541_charging_tripod.html> (Year: 2022).*

(Continued)

Primary Examiner — Bao-Yen T Nguyen
Assistant Examiner — Loryn K. Leblanc
(74) *Attorney, Agent, or Firm* — Dragon Sun Law Firm, PC; Jinggao Li; Nathaniel Perkins

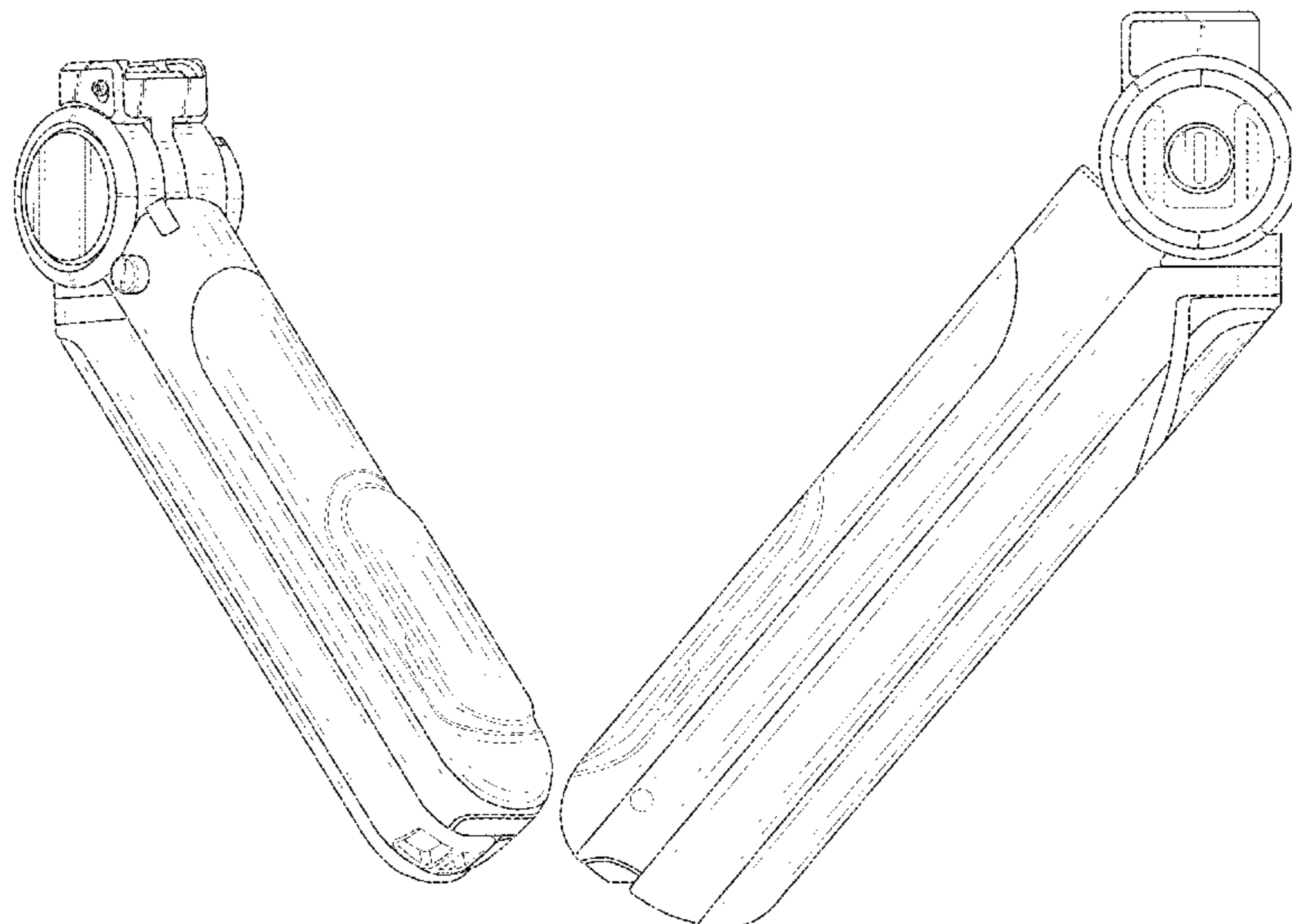
(57) **CLAIM**

The ornamental design for a handheld portable photography tripod, as shown and described.

DESCRIPTION

FIG. 1 is a front perspective view of a handheld portable photography tripod showing my new design; FIG. 2 is a front elevational view thereof; FIG. 3 is a rear elevational view thereof; FIG. 4 is a left elevational view thereof; FIG. 5 is a right elevational view thereof; FIG. 6 is a top pan view thereof; and, FIG. 7 is a bottom pan view thereof.

1 Claim, 7 Drawing Sheets



(56)

References Cited

U.S. PATENT DOCUMENTS

D900,200	S	*	10/2020	Shan	D16/237
D911,427	S	*	2/2021	Silva Casas	D16/244
D921,096	S	*	6/2021	Chen	D16/244
D939,014	S	*	12/2021	Matsumoto	D16/243
2017/0192344	A1	*	7/2017	Chi	G03B 17/561

FOREIGN PATENT DOCUMENTS

CN	306019650	*	8/2020
CN	306119068	*	10/2020
CN	306168869	*	11/2020
CN	306342509	*	2/2021
CN	306423568	*	3/2021
CN	306443102	*	4/2021
CN	306570941	*	5/2021
CN	306597361	*	6/2021
CN	306746799	*	8/2021
JP	D1666935	*	8/2020

OTHER PUBLICATIONS

Camera Grip Tripod, product available Jun. 30, 2021 [online], no video/pictured review [online], [site visited Mar. 24, 2022]:URL:<https://

www.amazon.com/gp/product/B0989Q91SG/ref=sw_img_1?smid=A87F7SFSRFI7F&pssc=1> (Year: 2021).*

Newmowa Mini Shooting Grip vlog Camera Grip, product available May 17, 2021 [online], pictured review Nov. 17, 2021 [online], [site visited Mar. 24, 2022]:URL:<https://www.amazon.com/gp/product/B09535FVX4/ref=sw_img_1?smid=A1X9ZYH75S4ATO&pssc=1> (Year: 2021).*

Portable Desktop Mini Tripod Pictron, product available Dec. 28, 2020 [online], pictured review Feb. 25, 2021 [online], [site visited Mar. 24, 2022]:URL:<https://www.amazon.com/gp/product/B08RDNBBGK/ref=sw_img_1?smid=AZFY4CTNEDLZX&pssc=1> (Year: 2020).*

MT-16 Extendable Phone Camera Tripod, product available Oct. 20, 2020 [online], pictured review Sep. 4, 2021 [online], [site visited Mar. 24, 2022]:URL:<https://www.amazon.com/gp/product/B08LGGXH1J/ref=sw_img_1?smid=A17QBZVUKPDUQT&pssc=1> (Year: 2020).*

Pgytech Mantisopod Pro, product available Apr. 21, 2021 [online], video review Sep. 17, 2021 [online], [site visited Mar. 24, 2022]:URL:<https://www.amazon.com/gp/product/B0932LNJCD/ref=sw_img_1?smid=A13VA9R6U8U2ON&pssc=1> (Year: 2021).*

Mantisopod Vlogging Tripod, product availability unknown [online], no video/pictured review [online], [site visited Mar. 24, 2022]:URL:<https://www.pgytech.com/products/mantisopod-vlog-tripod?variant=39919603777702> (Year: 2022).*

* cited by examiner

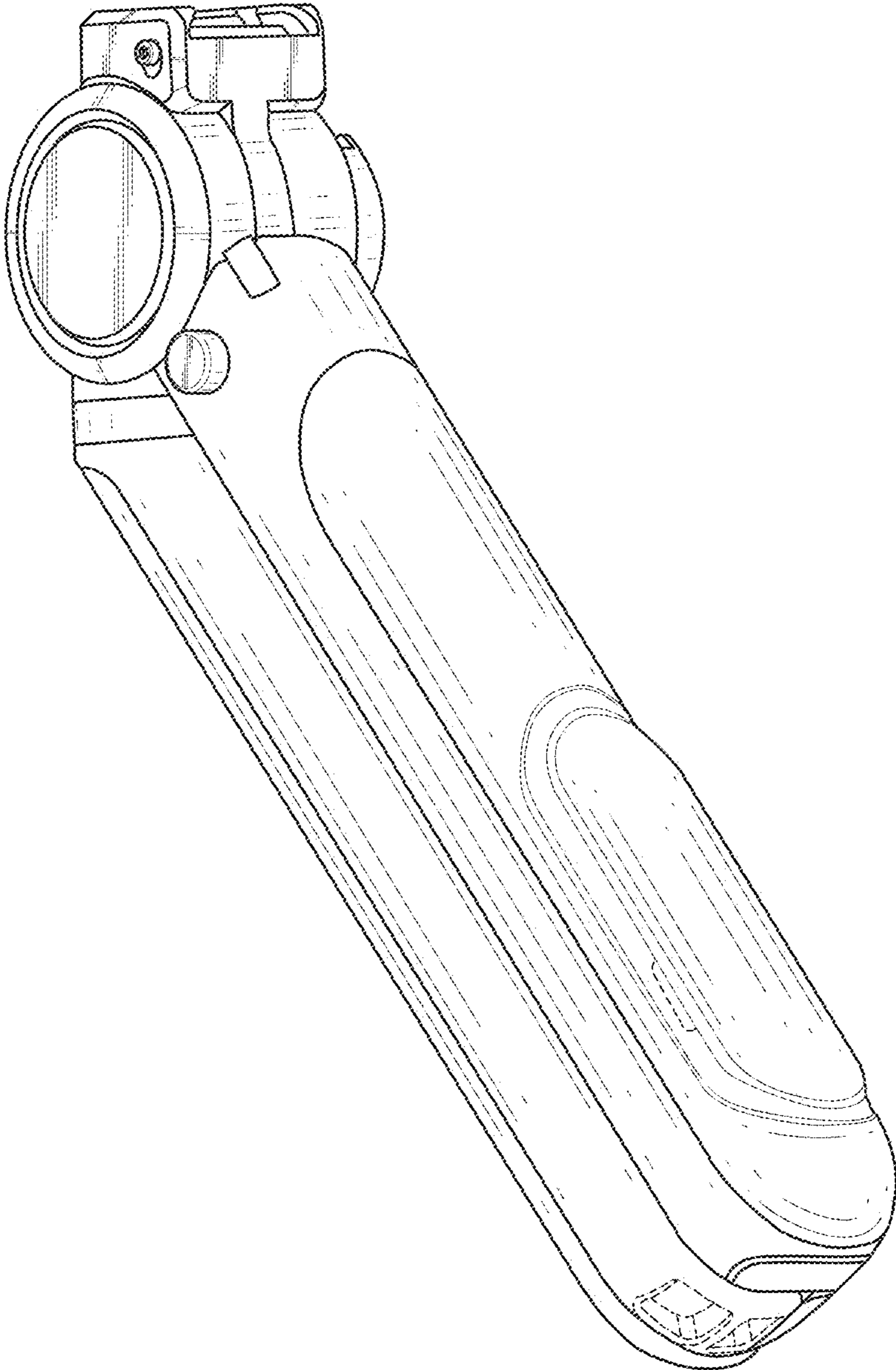


FIG. 1

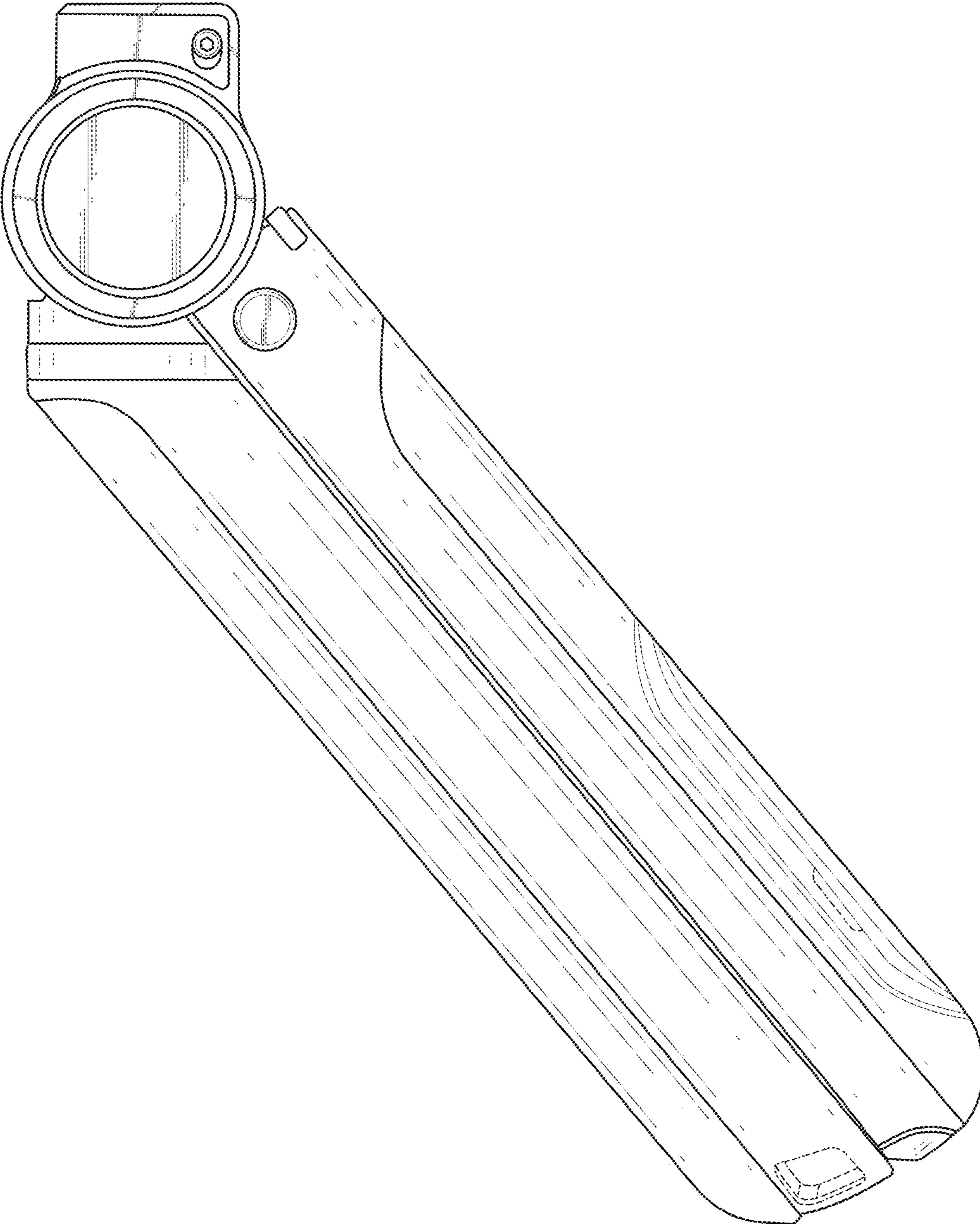


FIG. 2

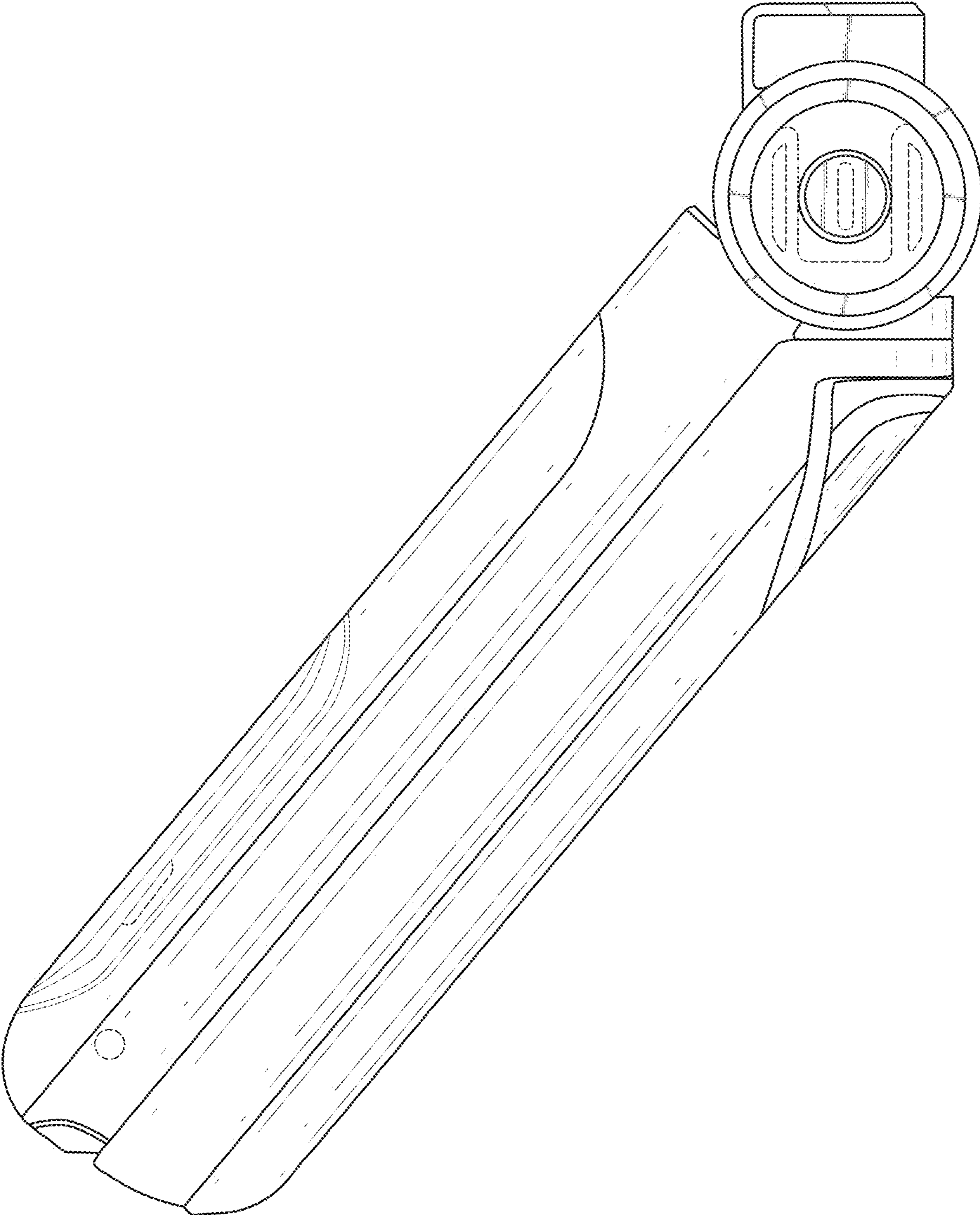


FIG. 3

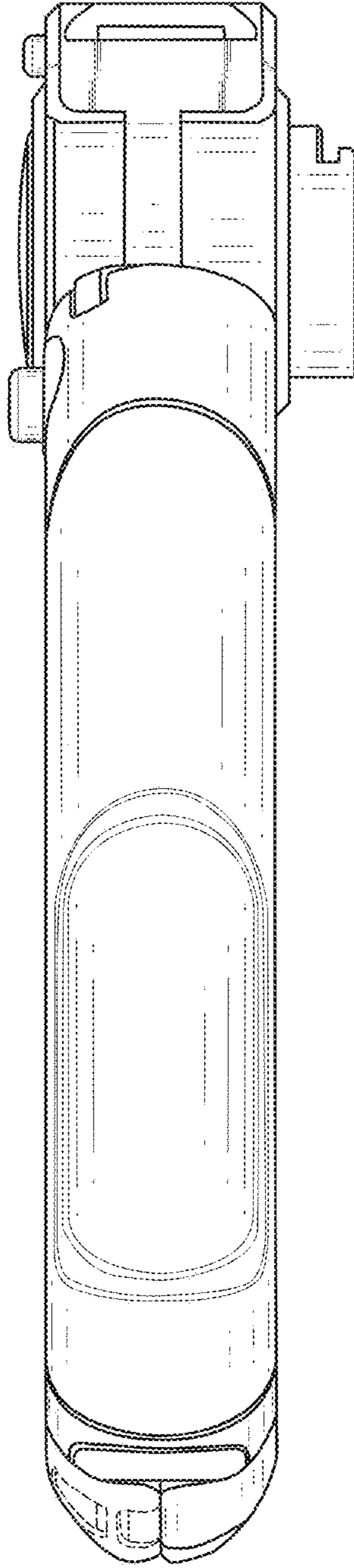


FIG. 4

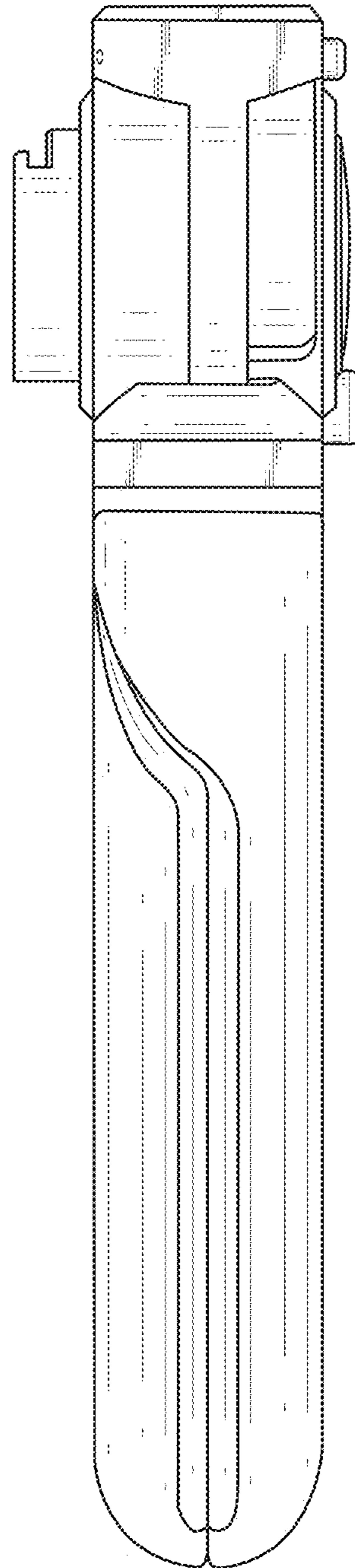


FIG. 5

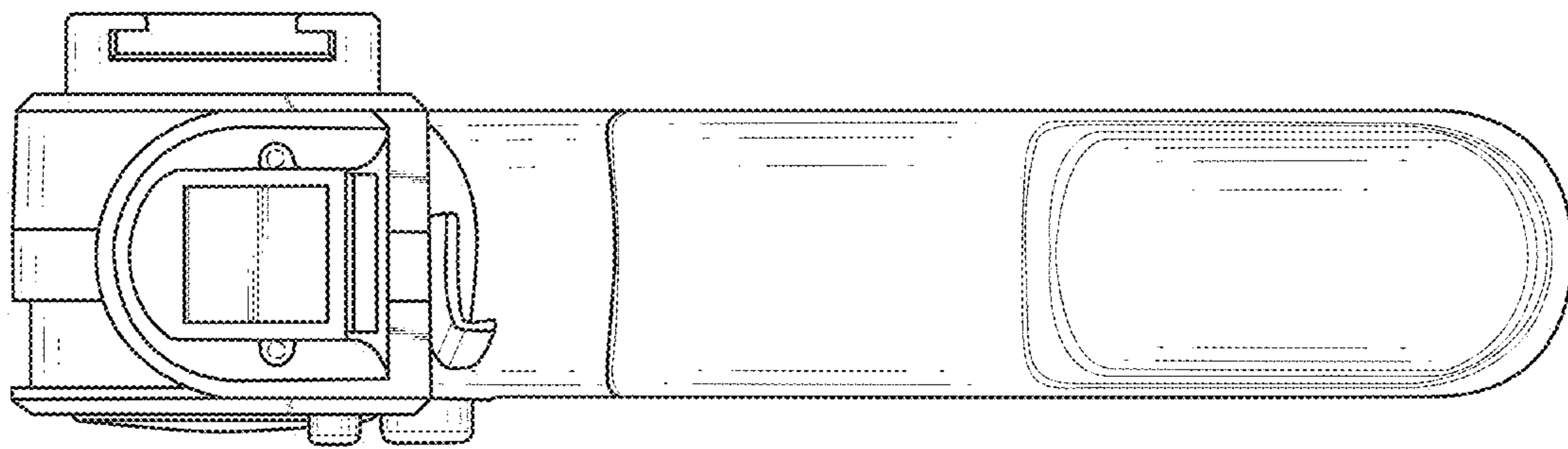


FIG. 6

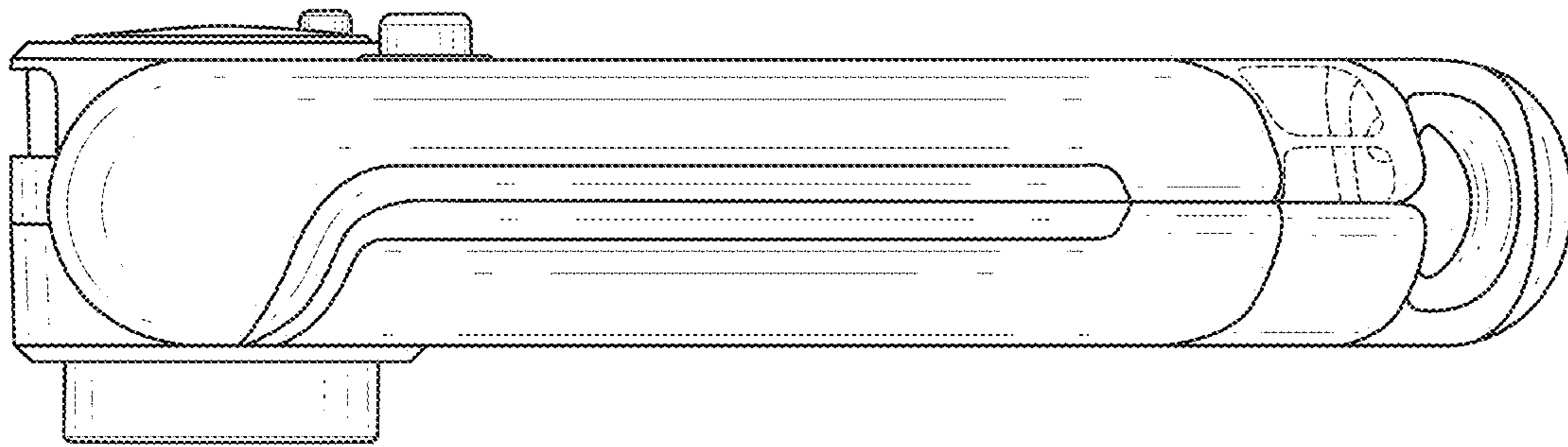


FIG. 7