



US00D973127S

(12) **United States Design Patent**
Wu

(10) **Patent No.:** **US D973,127 S**

(45) **Date of Patent:** **** Dec. 20, 2022**

(54) **CAMERA CLAMP MOUNT**

(71) Applicant: **ZhiQin Wu**, Heyuan (CN)

(72) Inventor: **ZhiQin Wu**, Heyuan (CN)

(**) Term: **15 Years**

(21) Appl. No.: **29/835,095**

(22) Filed: **Apr. 15, 2022**

(51) **LOC (13) Cl.** **16-05**

(52) **U.S. Cl.**
USPC **D16/242**

(58) **Field of Classification Search**
USPC D16/200, 202–203, 208, 219, 237,
D16/242–246
CPC G03B 17/02; G03B 19/04; G03B 17/56;
G03B 17/04; G03B 15/03; G03B
17/561–566; G02B 7/00–002; G02B
7/023; G02B 7/04; G02B 7/14; A45F
5/00; A45F 5/10
See application file for complete search history.

(56) **References Cited**

U.S. PATENT DOCUMENTS

D483,789 S	12/2003	Dordick	
D724,646 S *	3/2015	Dordick	D16/242
D730,428 S *	5/2015	Samuels	D16/242
D798,940 S *	10/2017	Costa	D16/242
D803,294 S *	11/2017	Peabody	D16/242
D820,343 S *	6/2018	Dordick	D16/242
D841,075 S *	2/2019	Martin	D16/242
D845,378 S *	4/2019	Chuang	D16/242

D886,892 S *	6/2020	Voss	D16/242
D904,499 S *	12/2020	Jiang	D16/242
D928,220 S *	8/2021	Liang	D8/382
D930,733 S *	9/2021	Le Roux	D16/242
D960,143 S *	8/2022	Wu	D14/253
D960,224 S *	8/2022	Tadesse	D16/242

* cited by examiner

Primary Examiner — Ramzi Almatrahi

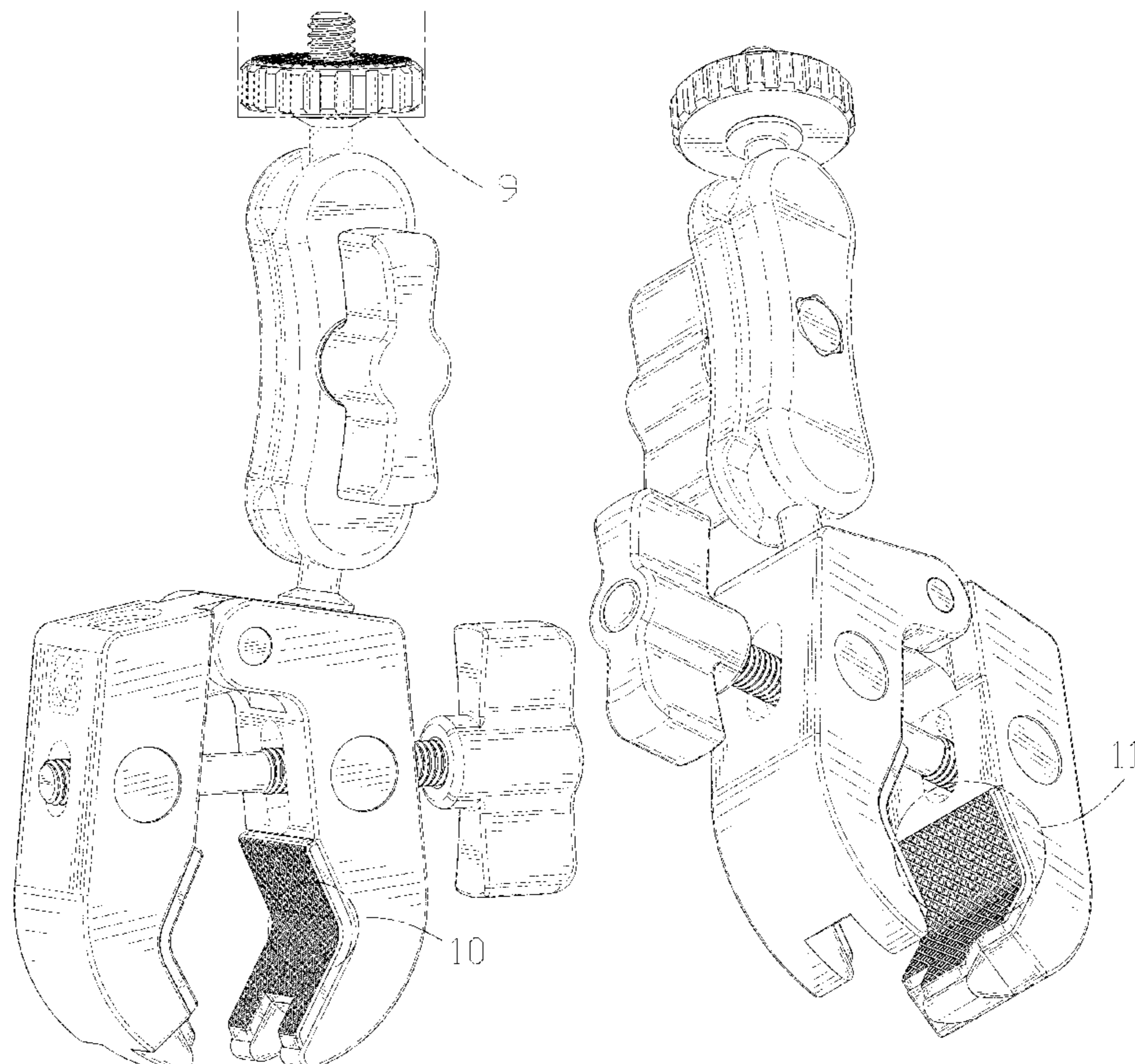
(57) **CLAIM**

The ornamental design for a camera clamp mount, as shown and described.

DESCRIPTION

FIG. 1 is a front and top perspective view of a camera clamp mount, showing my new design;
 FIG. 2 is a rear and bottom perspective view thereof;
 FIG. 3 is a front elevation view thereof;
 FIG. 4 is a rear elevation view thereof;
 FIG. 5 is a left side elevation view thereof;
 FIG. 6 is a right side elevation view thereof;
 FIG. 7 is a top plan view thereof;
 FIG. 8 is a bottom plan view thereof;
 FIG. 9 is an enlarged view of portion 9 shown in FIG. 1;
 FIG. 10 is an enlarged view of portion 10 shown in FIG. 1;
 and,
 FIG. 11 is an enlarged view of portion 11 shown in FIG. 2.
 The broken lines depict portions of the camera clamp mount in which the design is embodied that form no part of the claimed design. The dot-dash broken lines encircling an enlargement portion of the design forms no part of the claimed design.

1 Claim, 11 Drawing Sheets



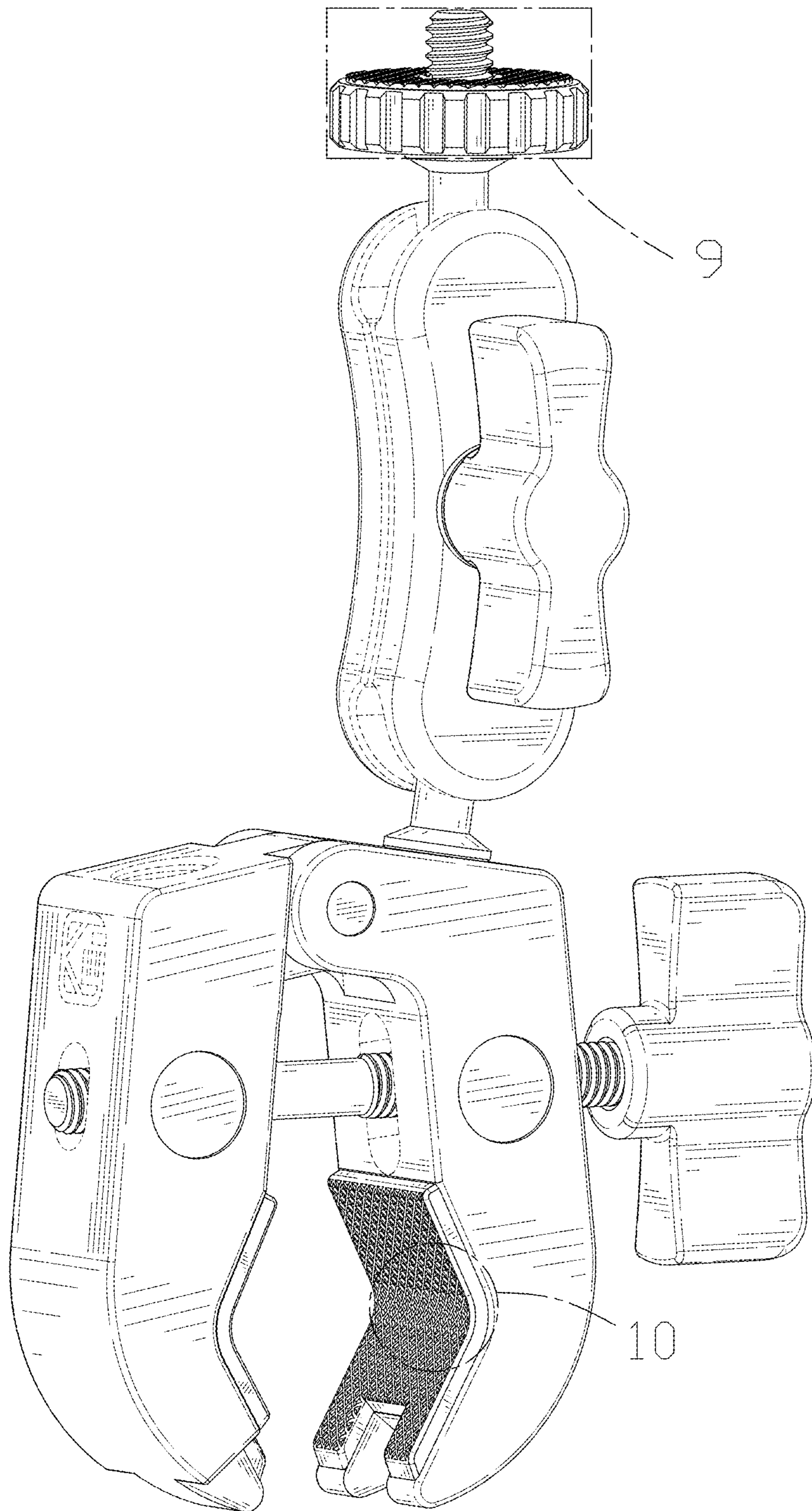


FIG. 1

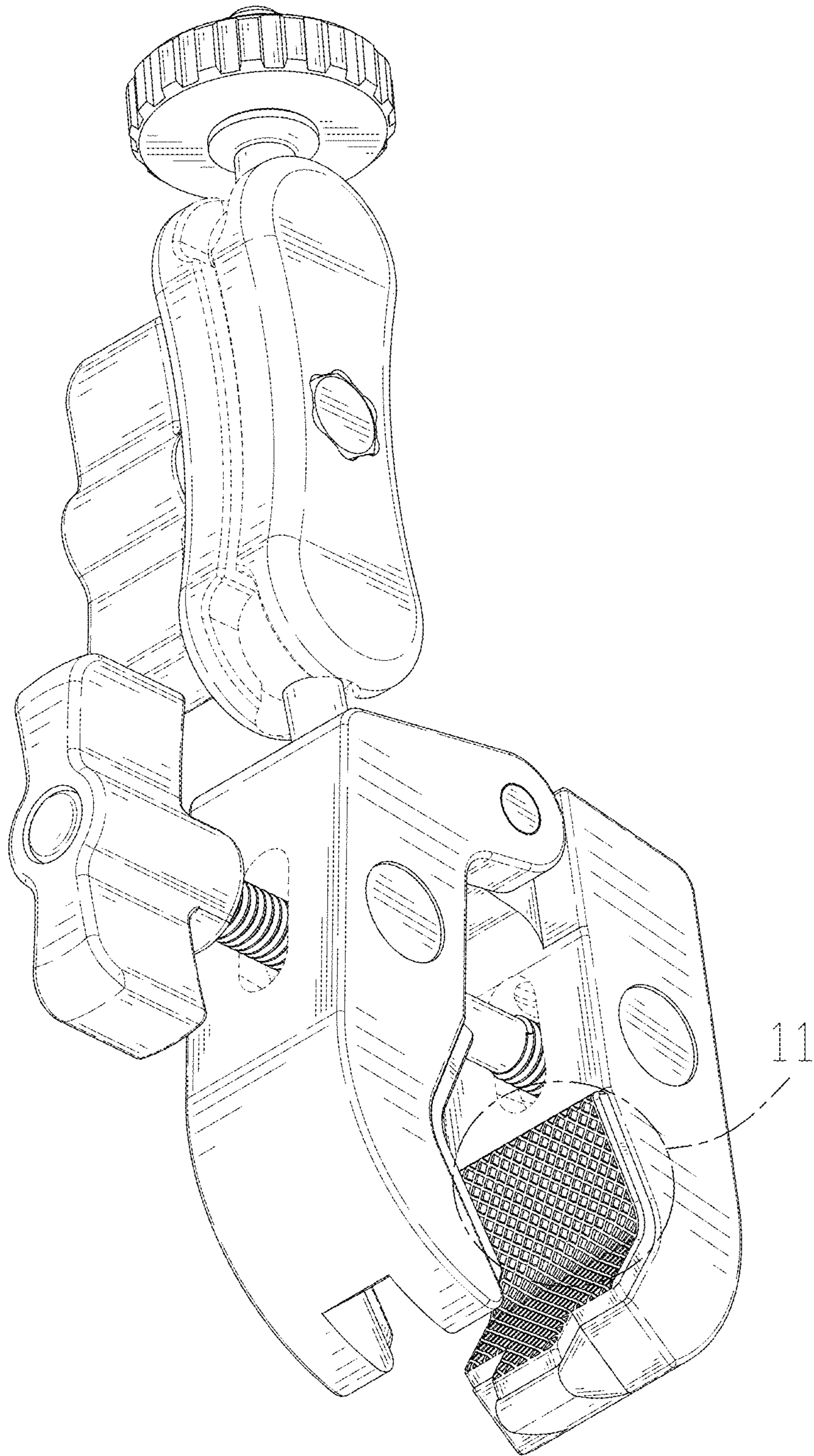


FIG. 2

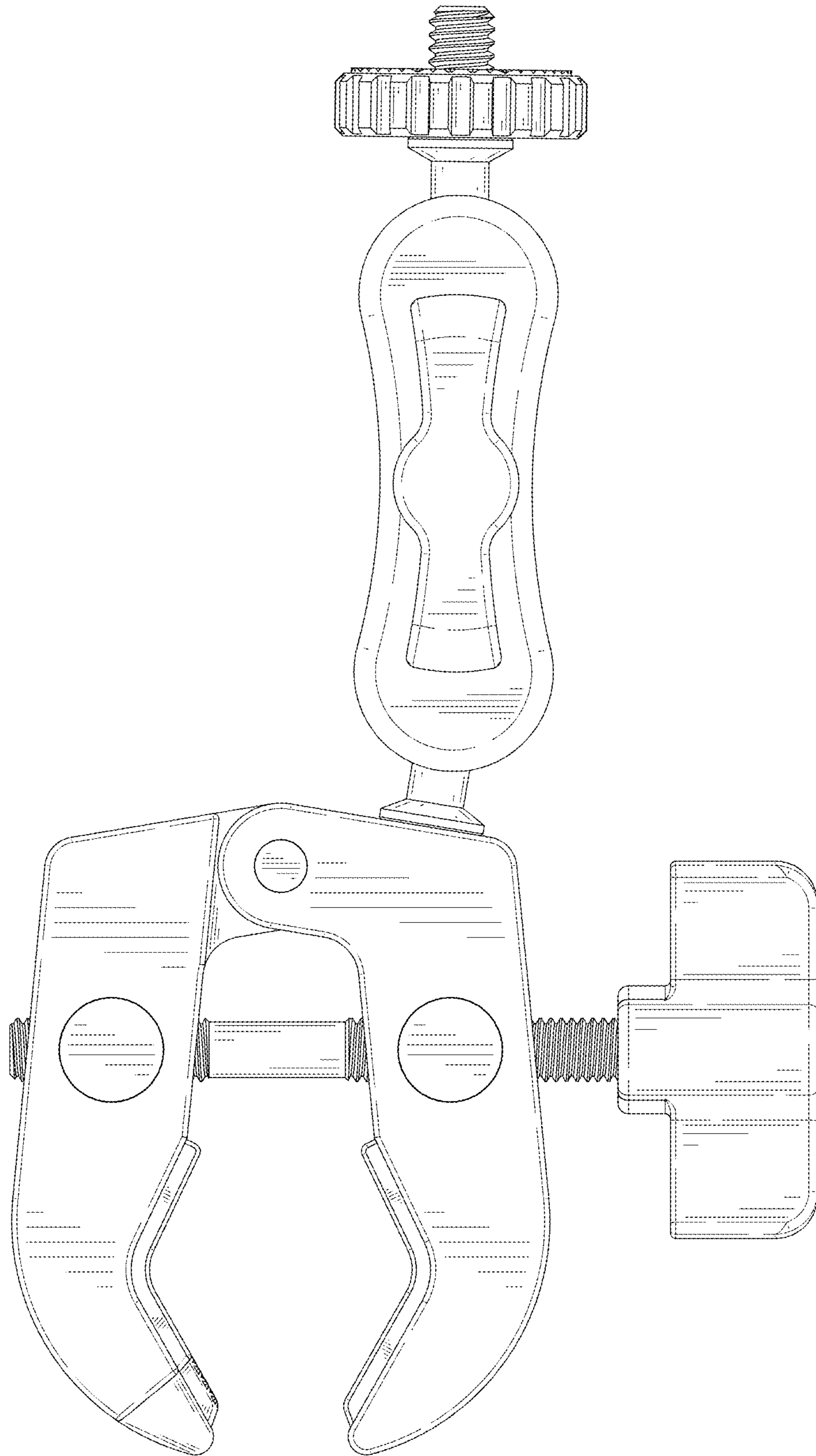


FIG. 3

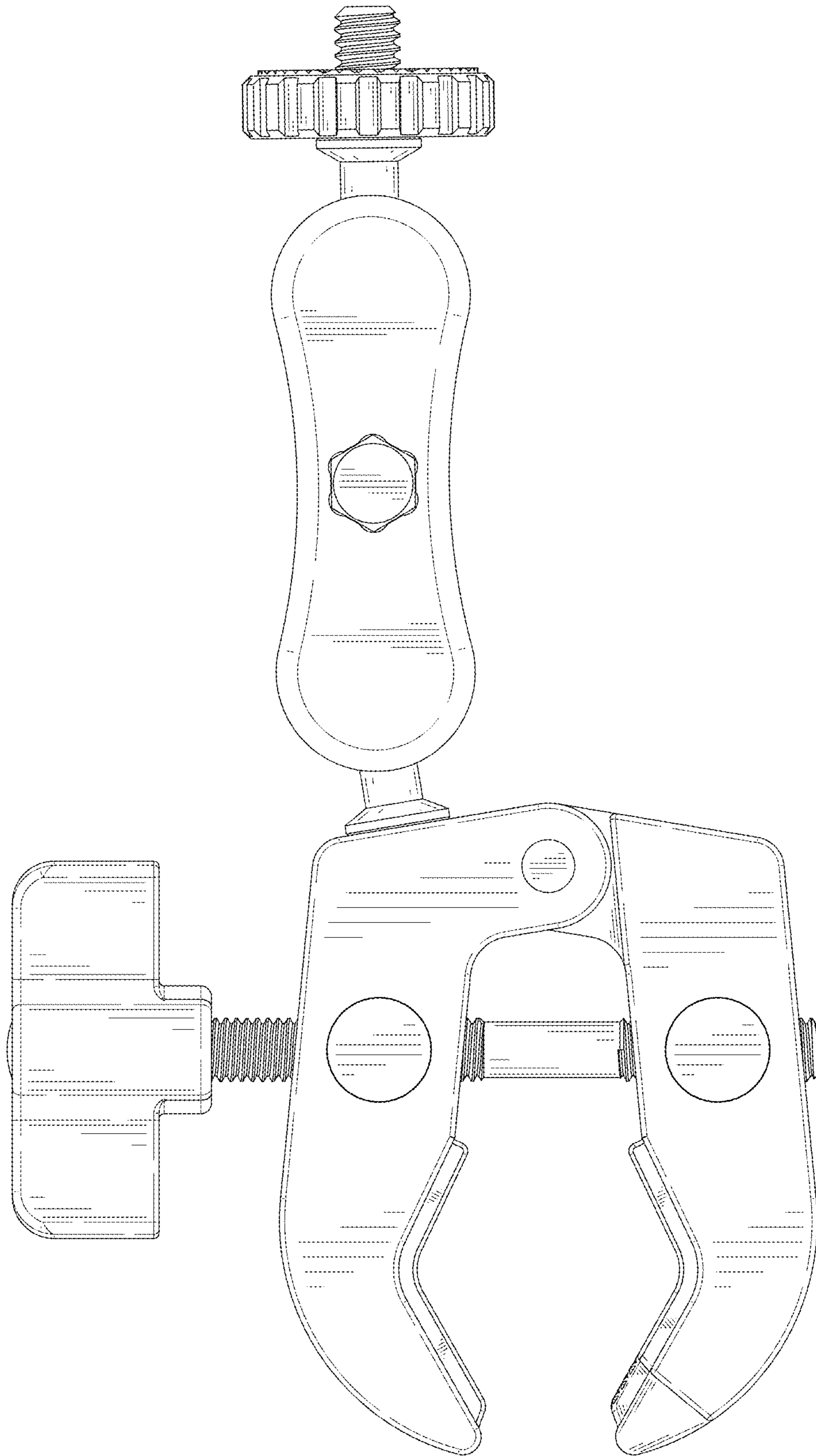


FIG. 4

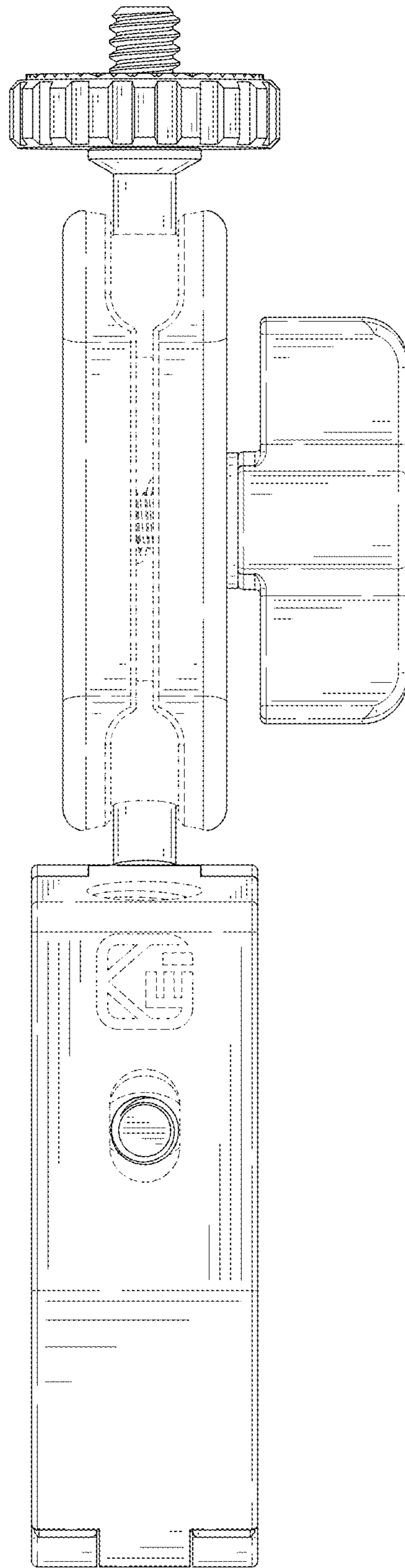


FIG. 5

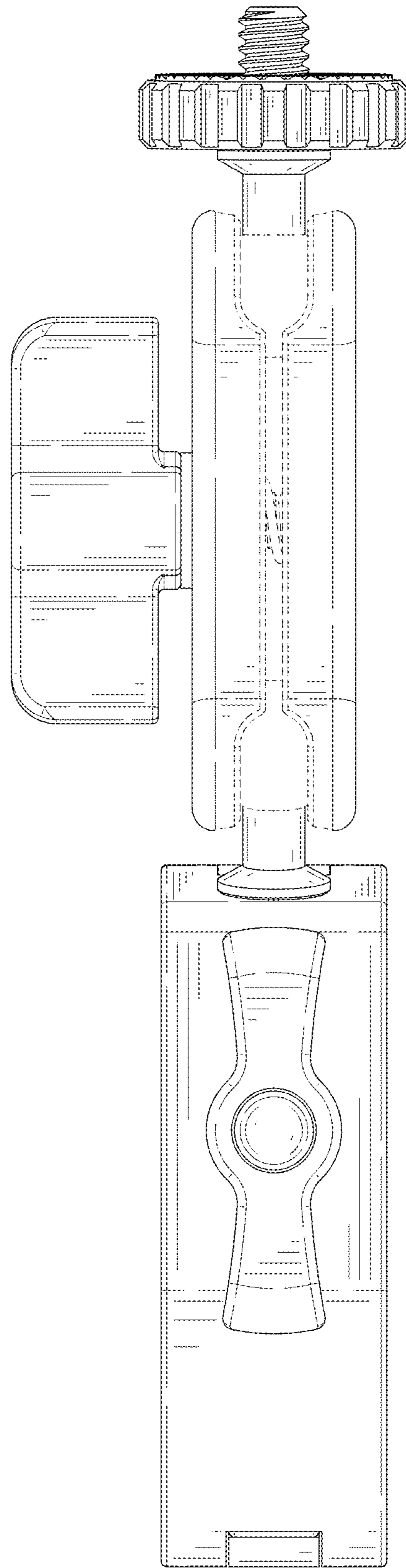


FIG. 6

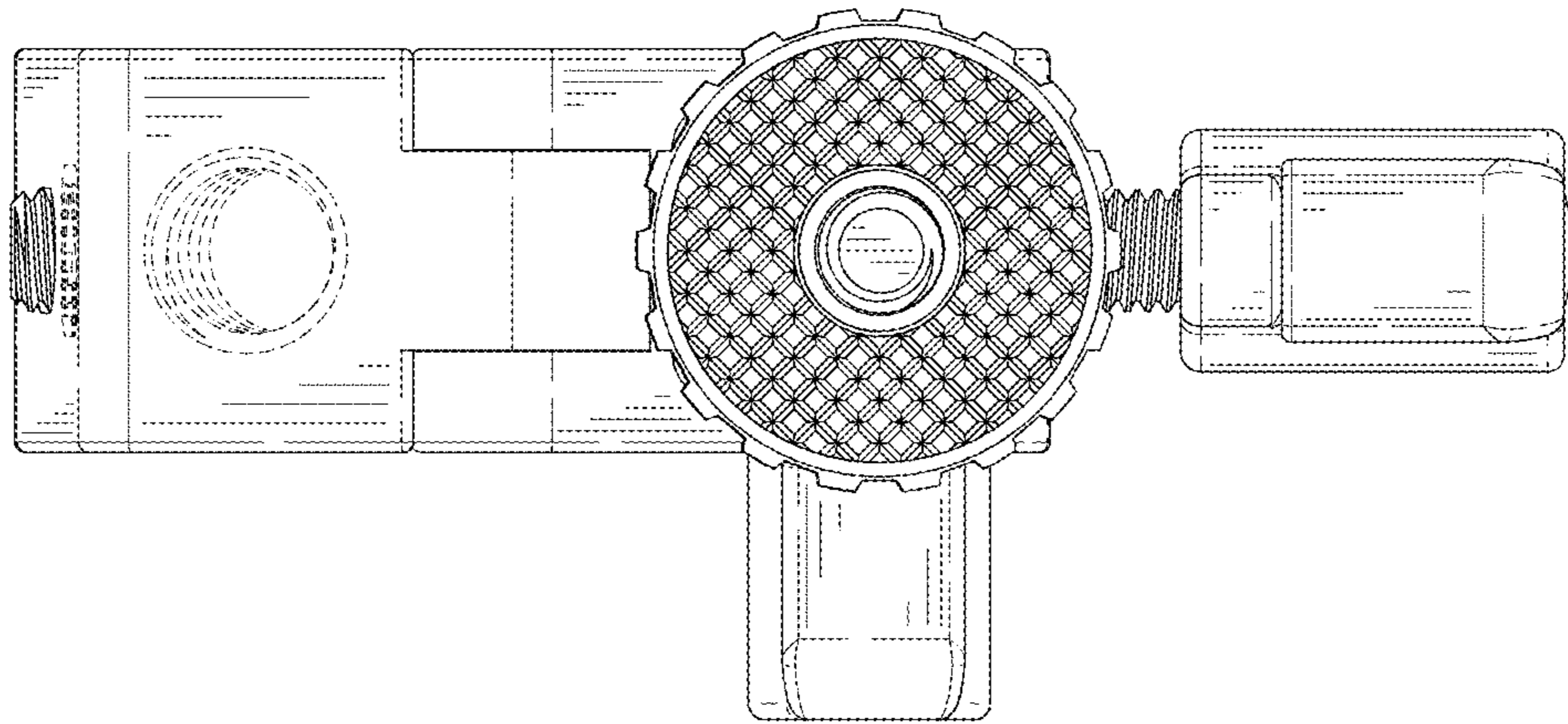


FIG. 7

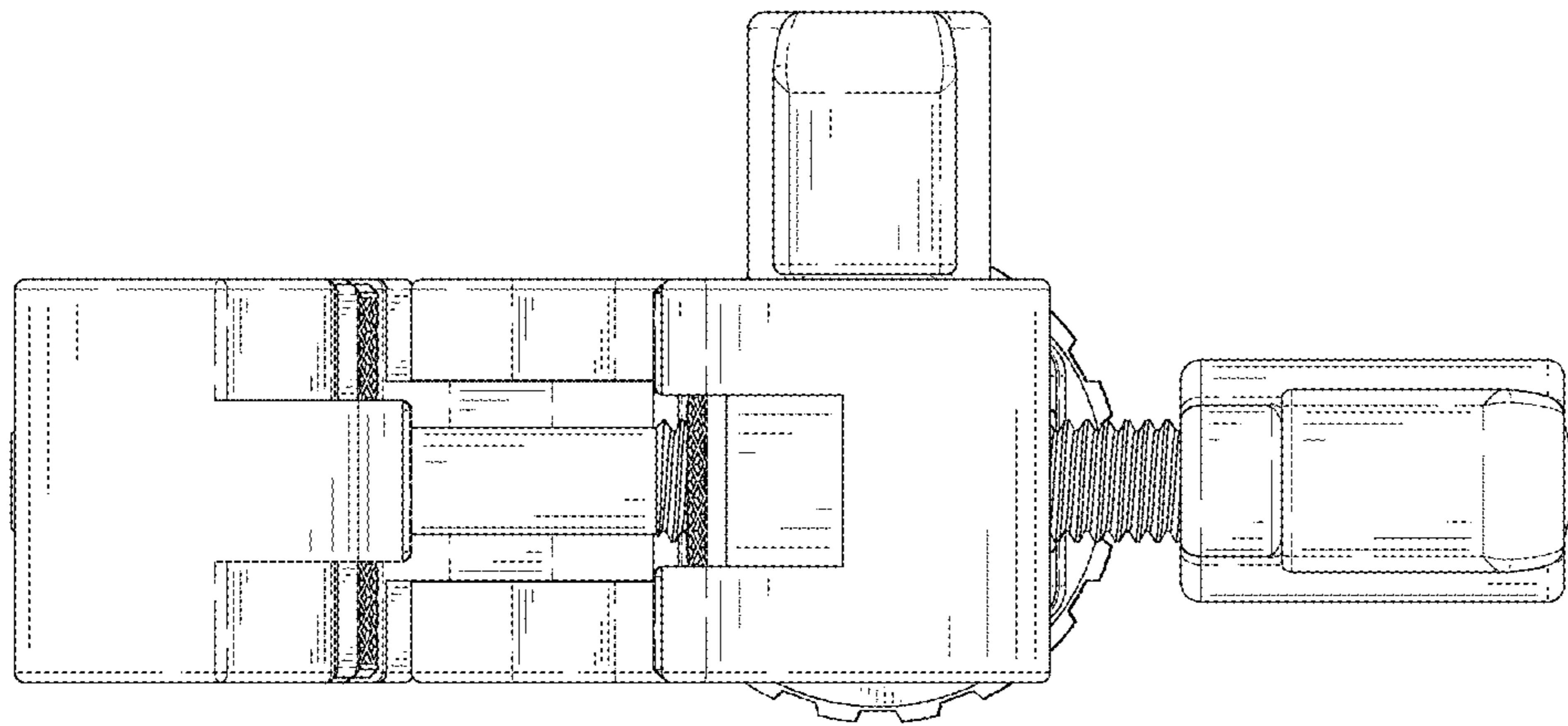


FIG. 8

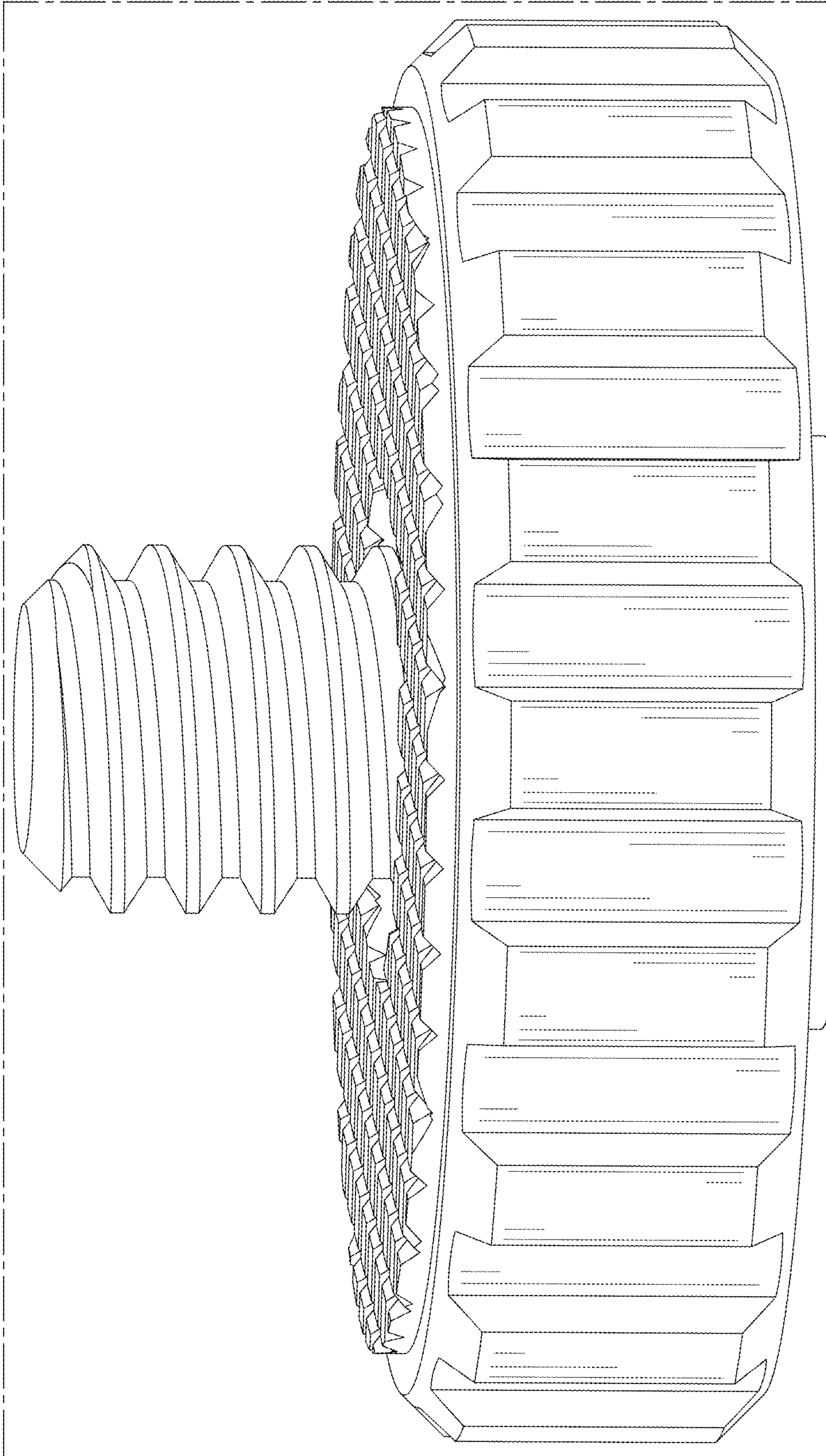


FIG. 9

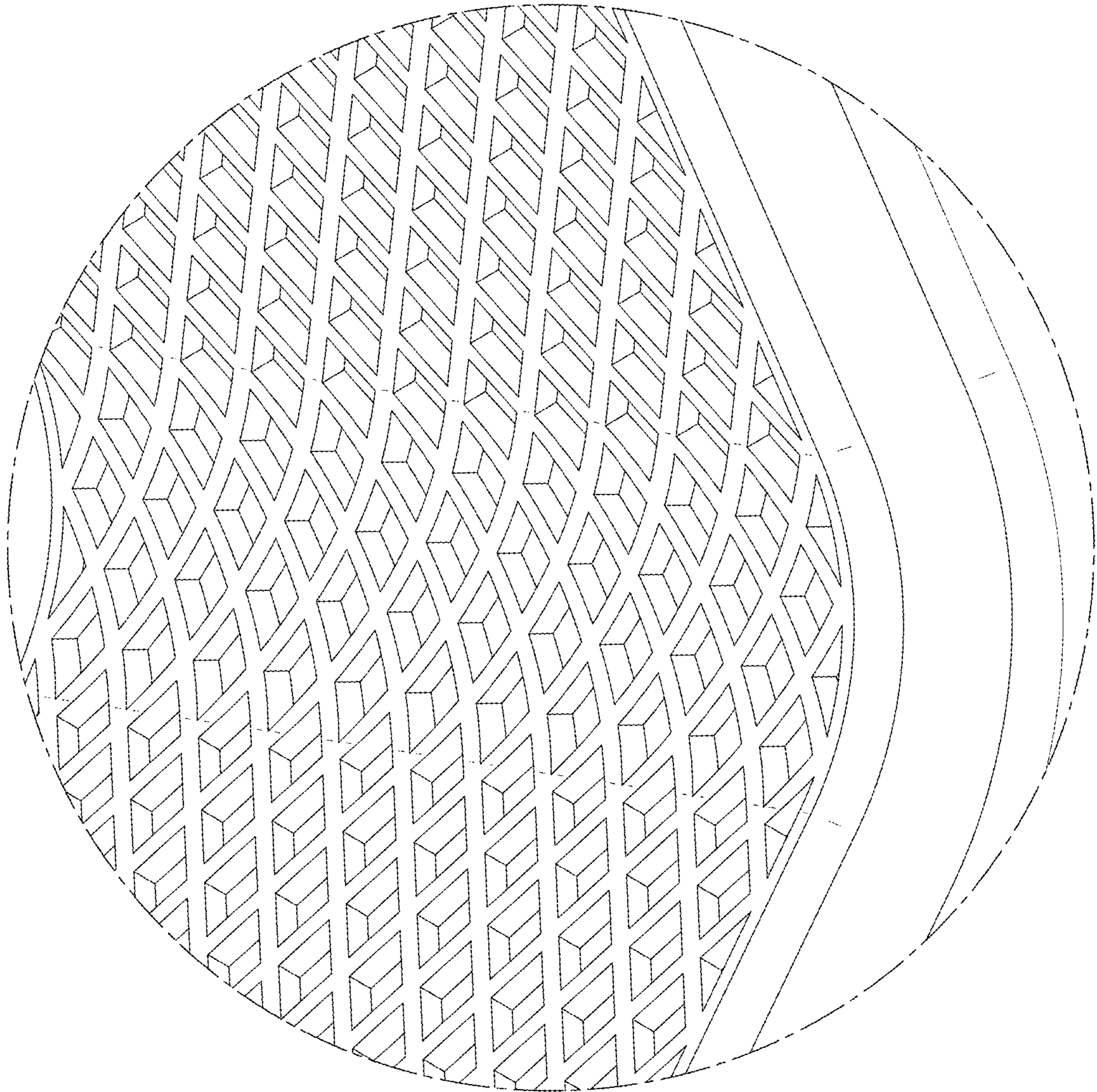


FIG. 10

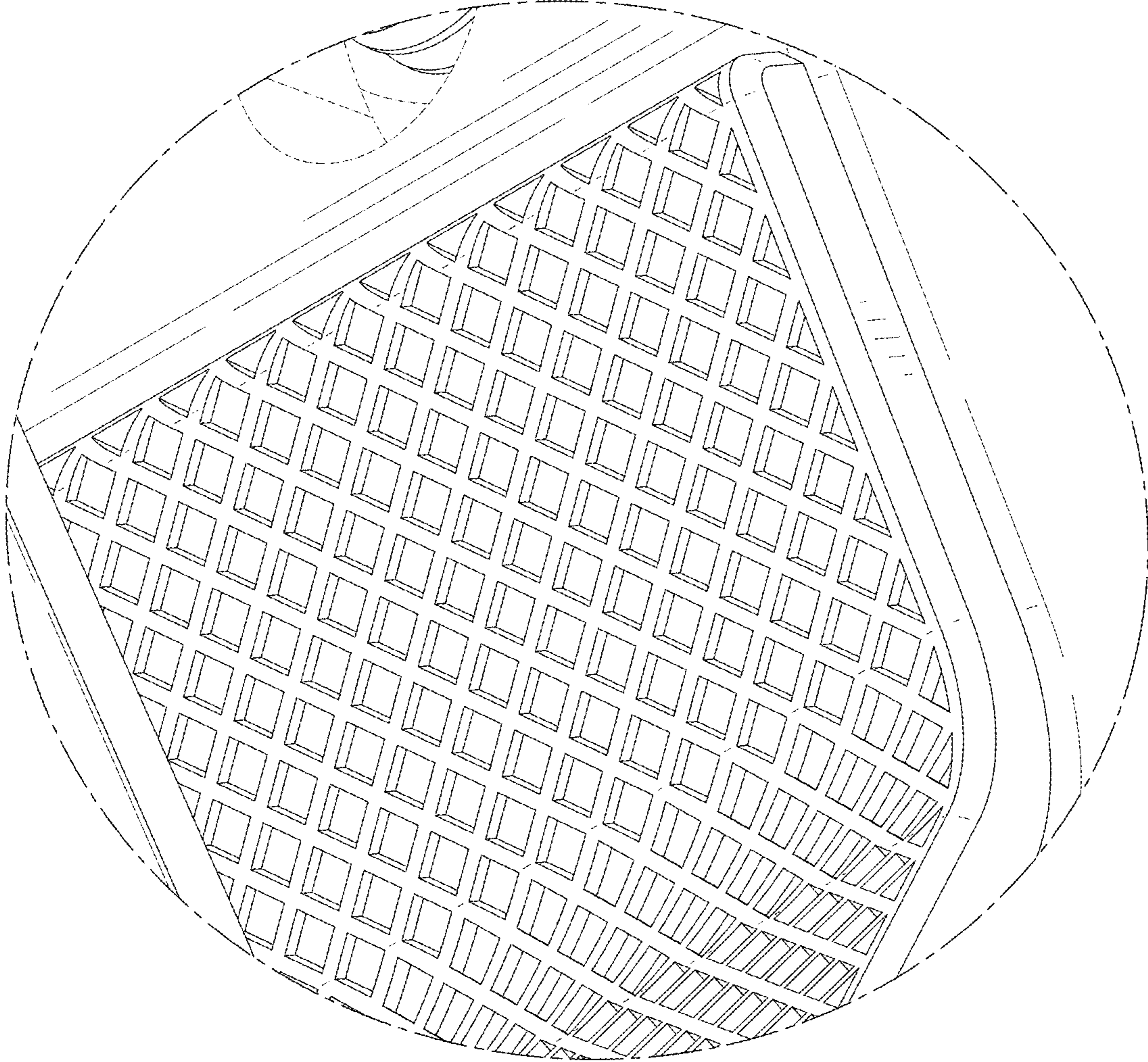


FIG. 11