



US00D973126S

(12) **United States Design Patent**
Cao et al.

(10) **Patent No.:** **US D973,126 S**

(45) **Date of Patent:** **** Dec. 20, 2022**

(54) **FILL-IN LAMP FOR PHOTOGRAPHY**

(71) Applicant: **Shenzhen Rihuida Electronics Co., Ltd.**, Guangdong (CN)

(72) Inventors: **Jun Cao**, Guangdong (CN); **Jinqiu Li**, Guangdong (CN)

(73) Assignee: **Shenzhen Rihuida Electronics Co., Ltd.**, Shenzhen (CN)

(**) Term: **15 Years**

(21) Appl. No.: **29/769,013**

(22) Filed: **Feb. 2, 2021**

(51) **LOC (13) Cl.** **16-05**

(52) **U.S. Cl.**

USPC **D16/239**; D26/63

(58) **Field of Classification Search**

USPC D16/209, 237, 238, 239, 230, 244;
D26/1, 37, 51, 60, 61, 63, 65, 67, 91,
D26/106, 107, 108, 111, 225; D14/374,
D14/375

CPC F21L 4/00; F21L 14/00; F21L 2/00; F21S
8/03; F21S 8/033; F21S 6/00; F21S
6/002; F21S 6/006; F21S 6/008; G02B
7/00; H04N 7/00

See application file for complete search history.

(56) **References Cited**

U.S. PATENT DOCUMENTS

D267,352 S	*	12/1982	Suzuki	D26/37
D269,913 S	*	7/1983	Johnson	D26/24
D547,353 S	*	7/2007	Couch	D16/237
D577,141 S	*	9/2008	Monroe	D26/61
D693,397 S	*	11/2013	Zhan	D26/63
D759,291 S	*	6/2016	Chen	D26/120
D762,902 S	*	8/2016	Ke	D26/63
10,216,066 B2	*	2/2019	Pilby	G03B 15/06
D869,544 S	*	12/2019	Zhan	D16/237

D918,453 S	*	5/2021	Rang	D26/63
D919,151 S	*	5/2021	Wu	D26/63
D921,258 S	*	6/2021	Xu	D26/63
D925,105 S	*	7/2021	Johnson	D26/118
D937,251 S	*	11/2021	Peng	D16/237
D945,669 S	*	3/2022	Hao	D26/60
D946,644 S	*	3/2022	Lin	D16/244
D954,785 S	*	6/2022	Liu	D16/237

(Continued)

FOREIGN PATENT DOCUMENTS

EM 305934748 * 7/2020

Primary Examiner — Richard Kearney

Assistant Examiner — Benjamin M Weeks

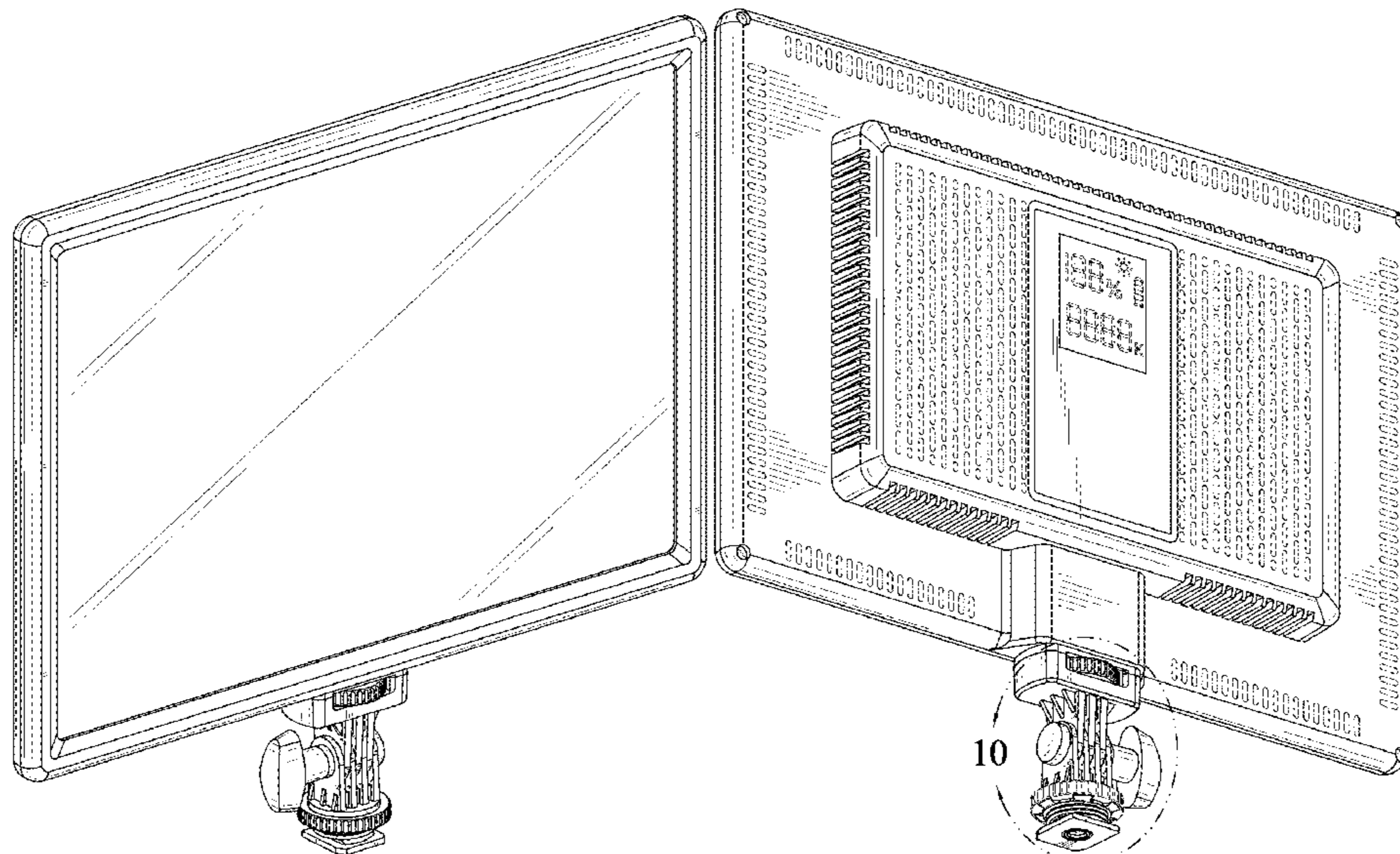
(57) **CLAIM**

The ornamental design for a fill-in lamp for photography, as shown and described.

DESCRIPTION

FIG. 1 is a front elevational view of a fill-in lamp for photography showing our new design; FIG. 2 is a rear elevational view thereof; FIG. 3 is a left side view thereof; FIG. 4 is a right side view thereof; FIG. 5 is a top plan view thereof; FIG. 6 is a bottom plan view thereof; FIG. 7 is a front, top and left side perspective view thereof; FIG. 8 is a rear, bottom and right side perspective view thereof; FIG. 9 is a rear, bottom and left side perspective view thereof; and, FIG. 10 is an enlarged view of portion 10 in FIG. 8. The broken lines in the drawings illustrate portions of the fill-in lamp for photography which form no part of the claimed design. The oblique shade lines in the drawings represent reflective surfaces.

1 Claim, 8 Drawing Sheets



(56)

References Cited

U.S. PATENT DOCUMENTS

D956,337 S * 6/2022 McLaughlin D26/118
D957,714 S * 7/2022 Hodgson D26/106

* cited by examiner

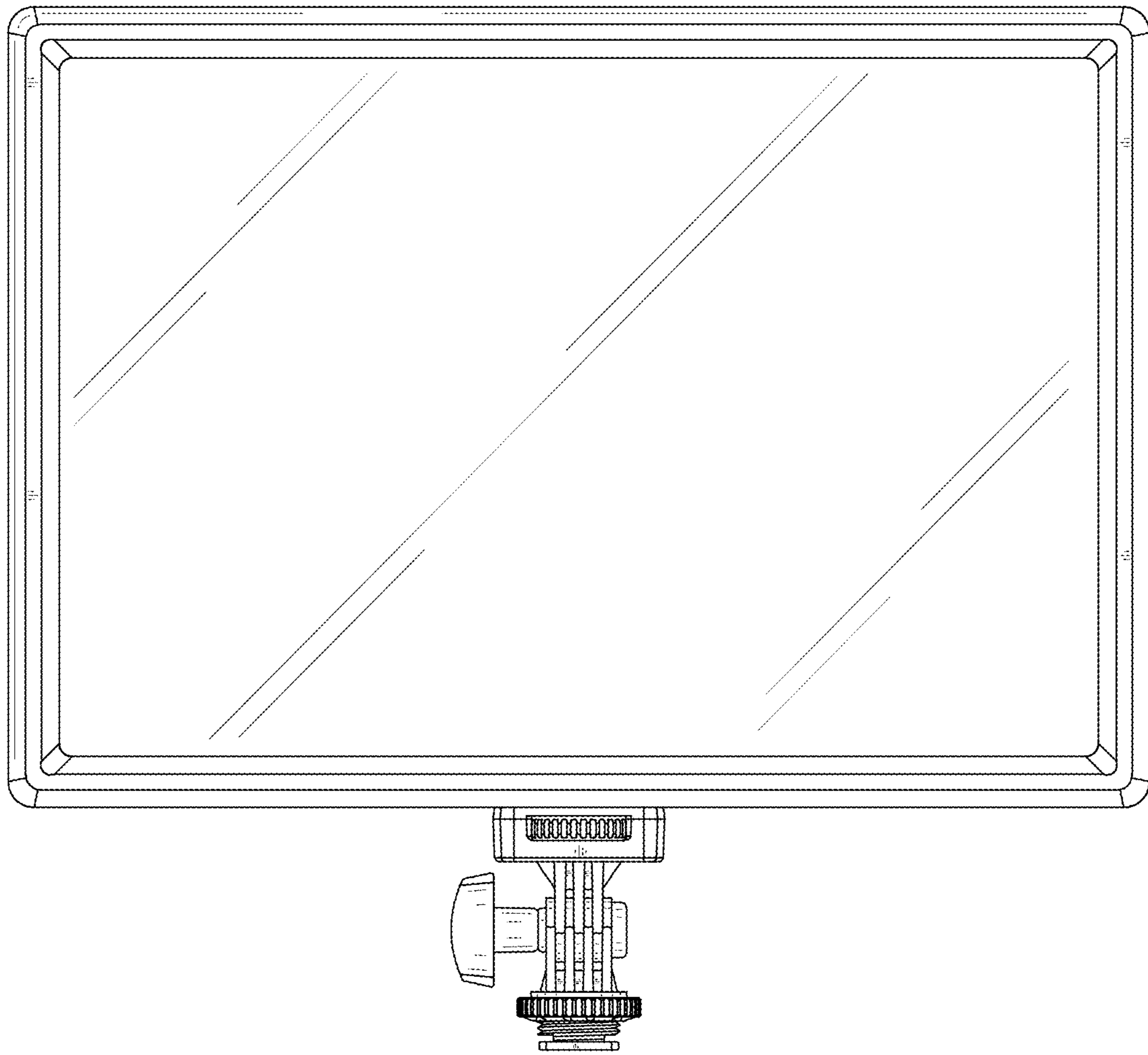


FIG.1

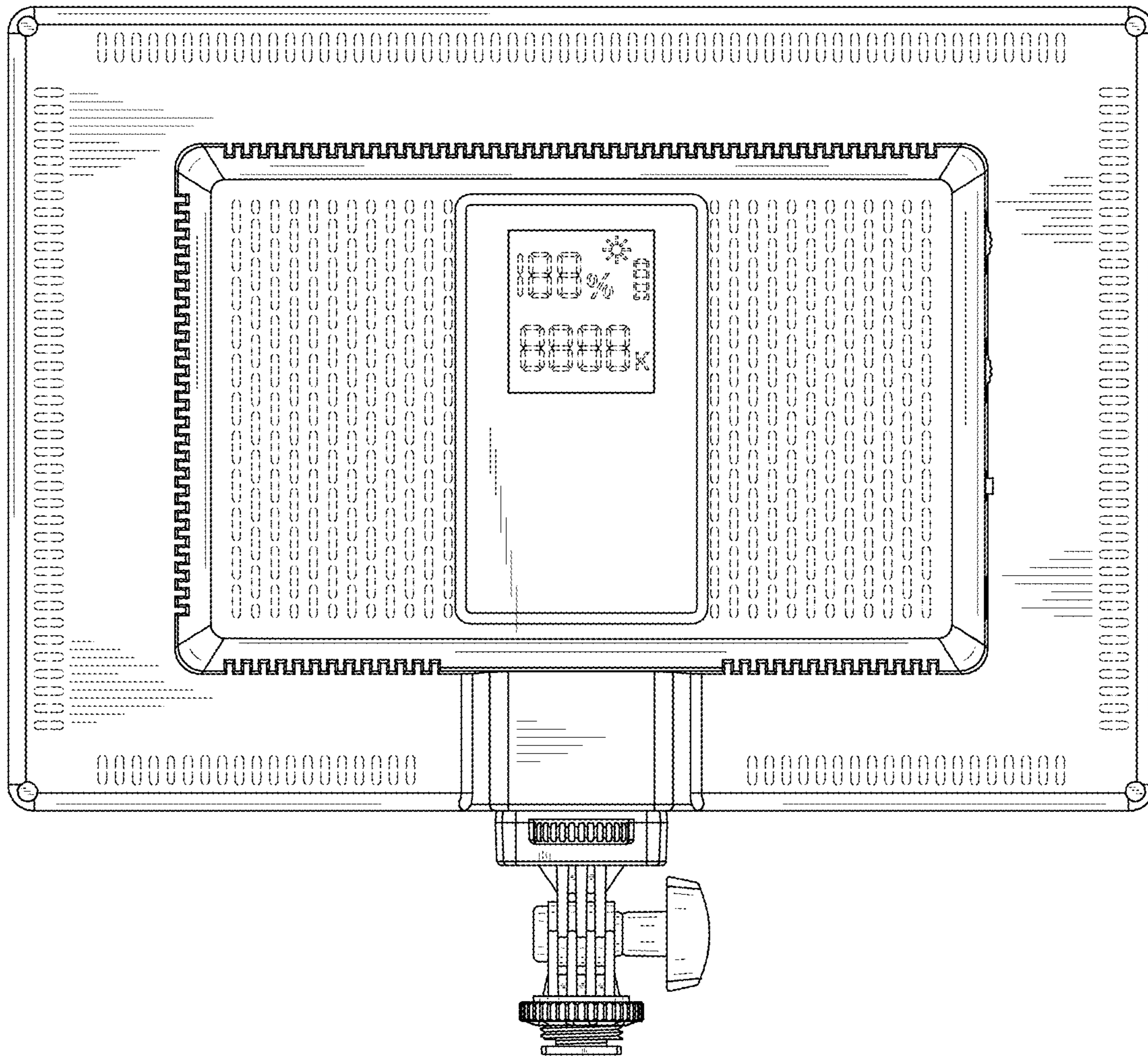


FIG. 2

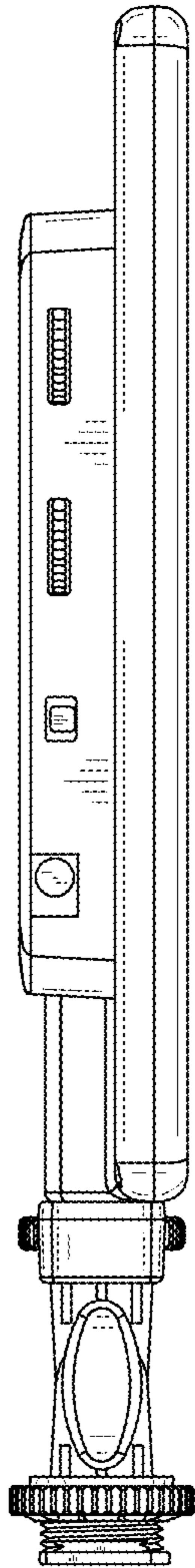


FIG.3

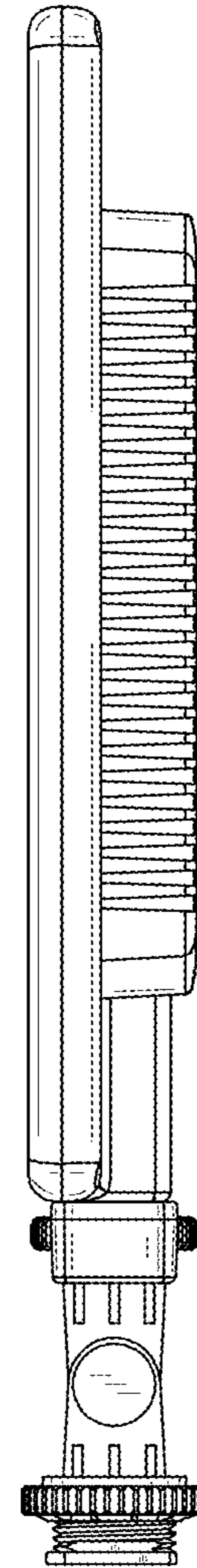


FIG.4

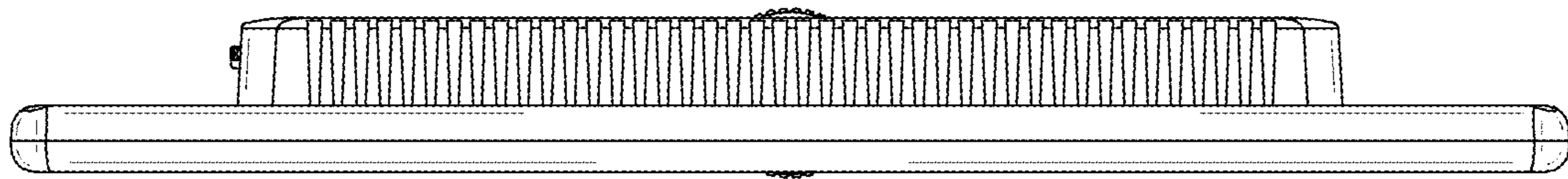


FIG. 5

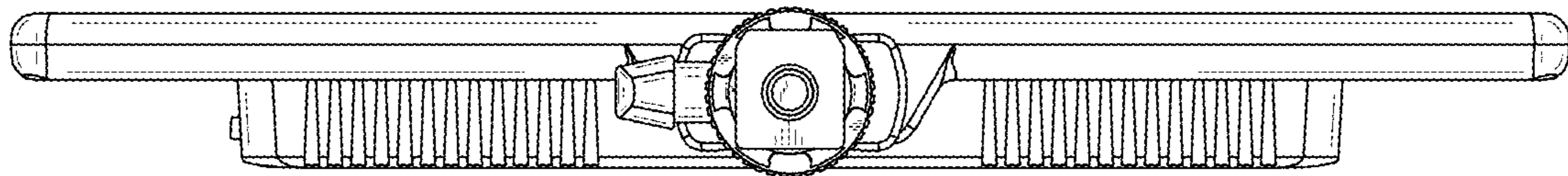


FIG. 6

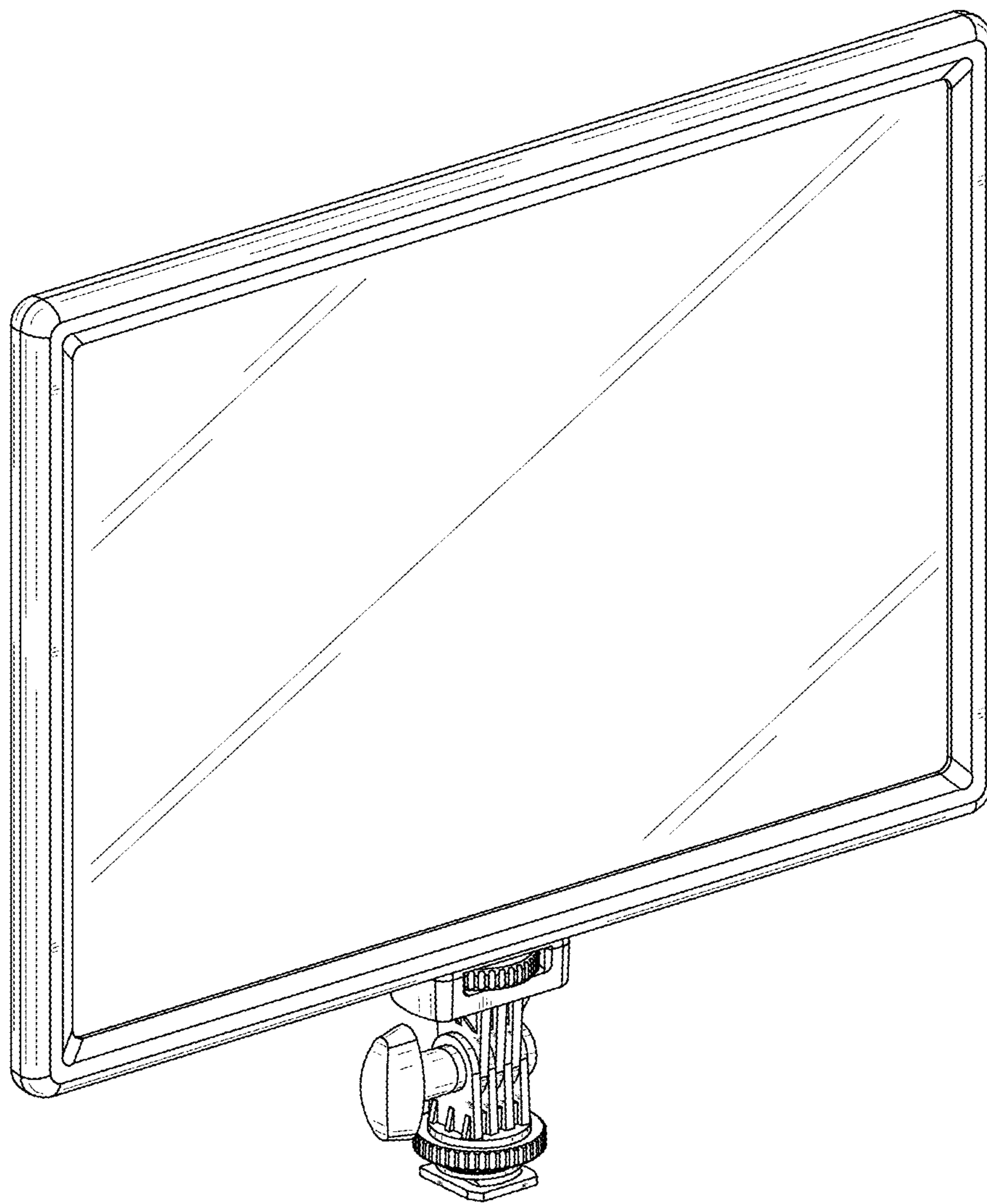


FIG.7

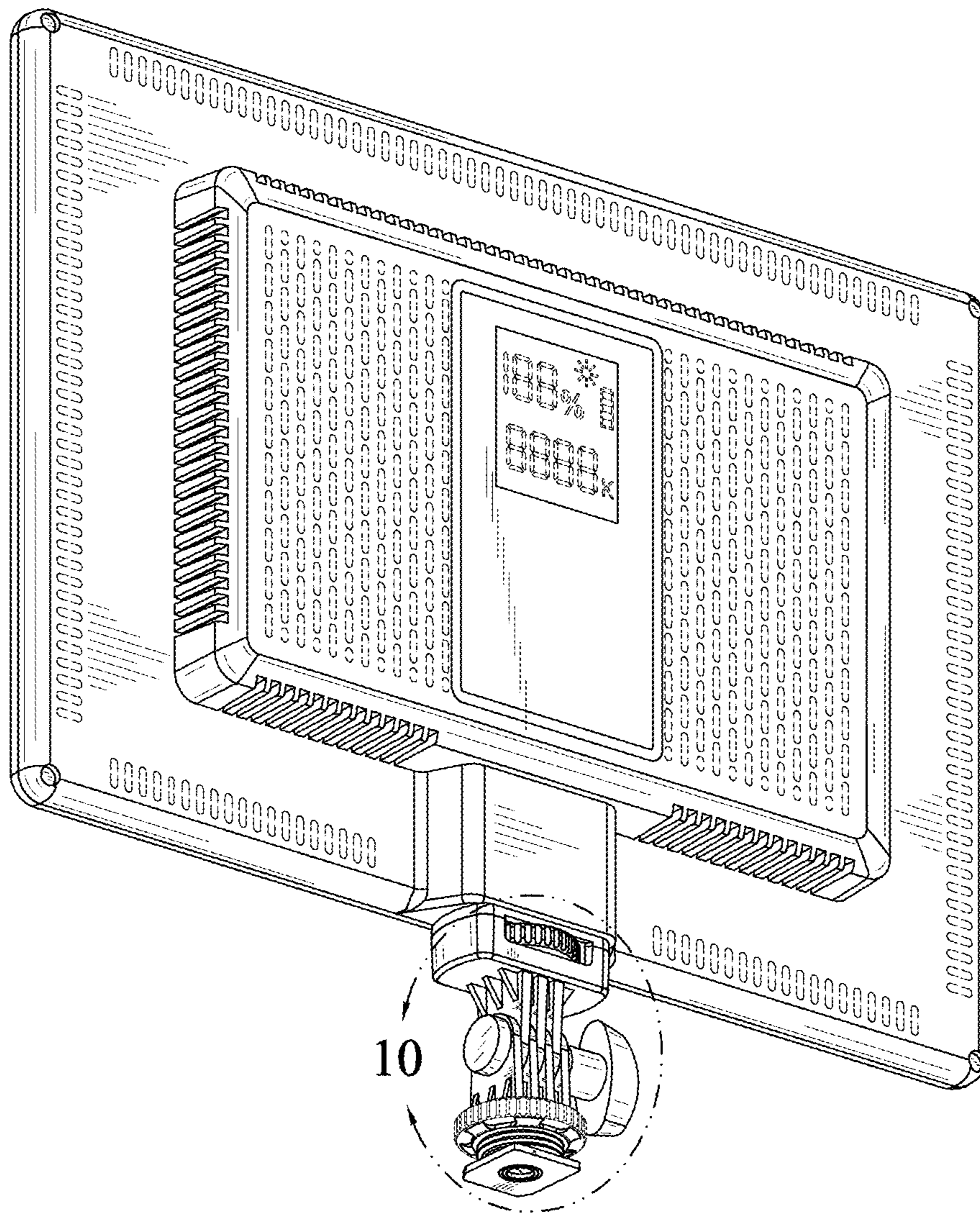


FIG.8

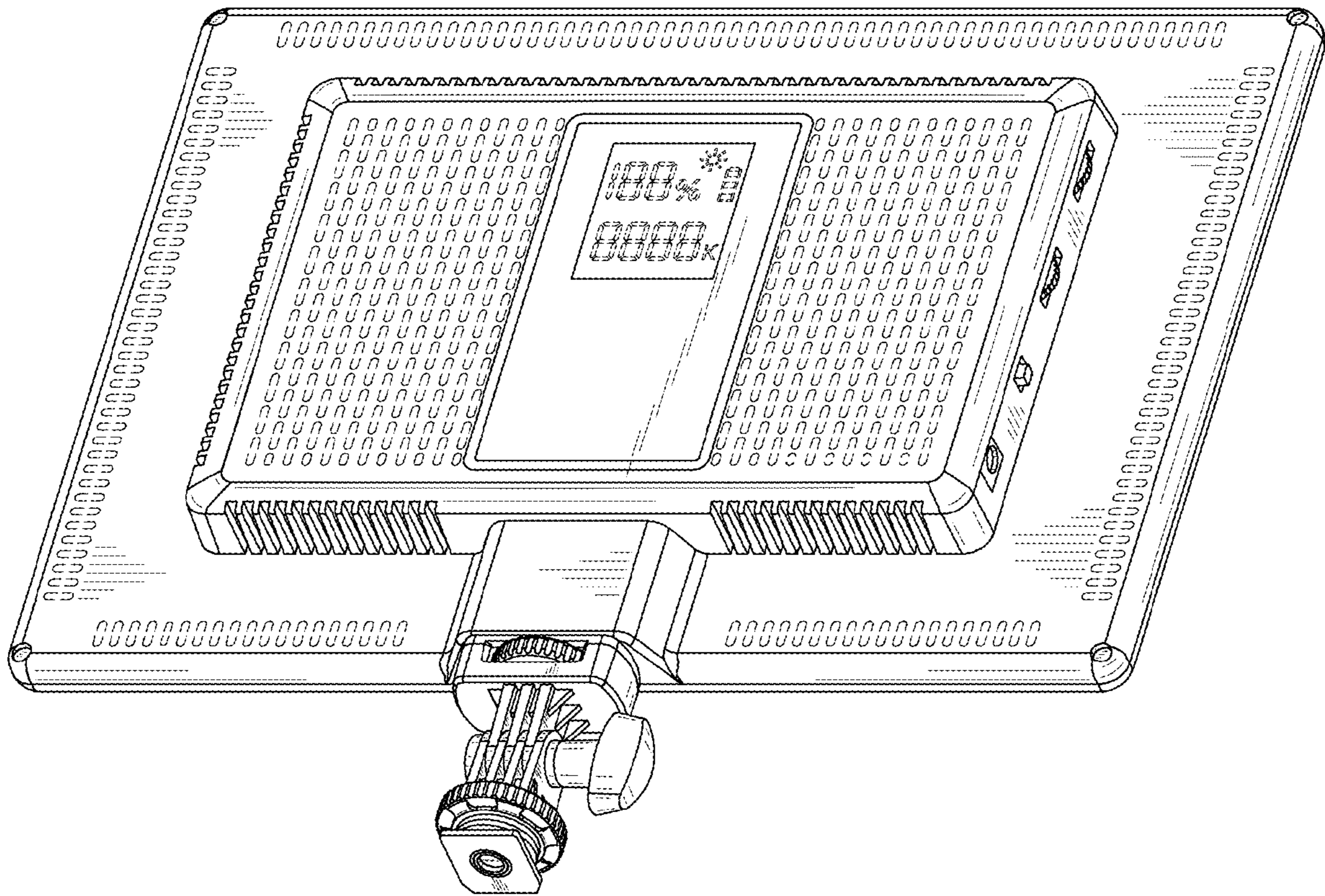


FIG.9

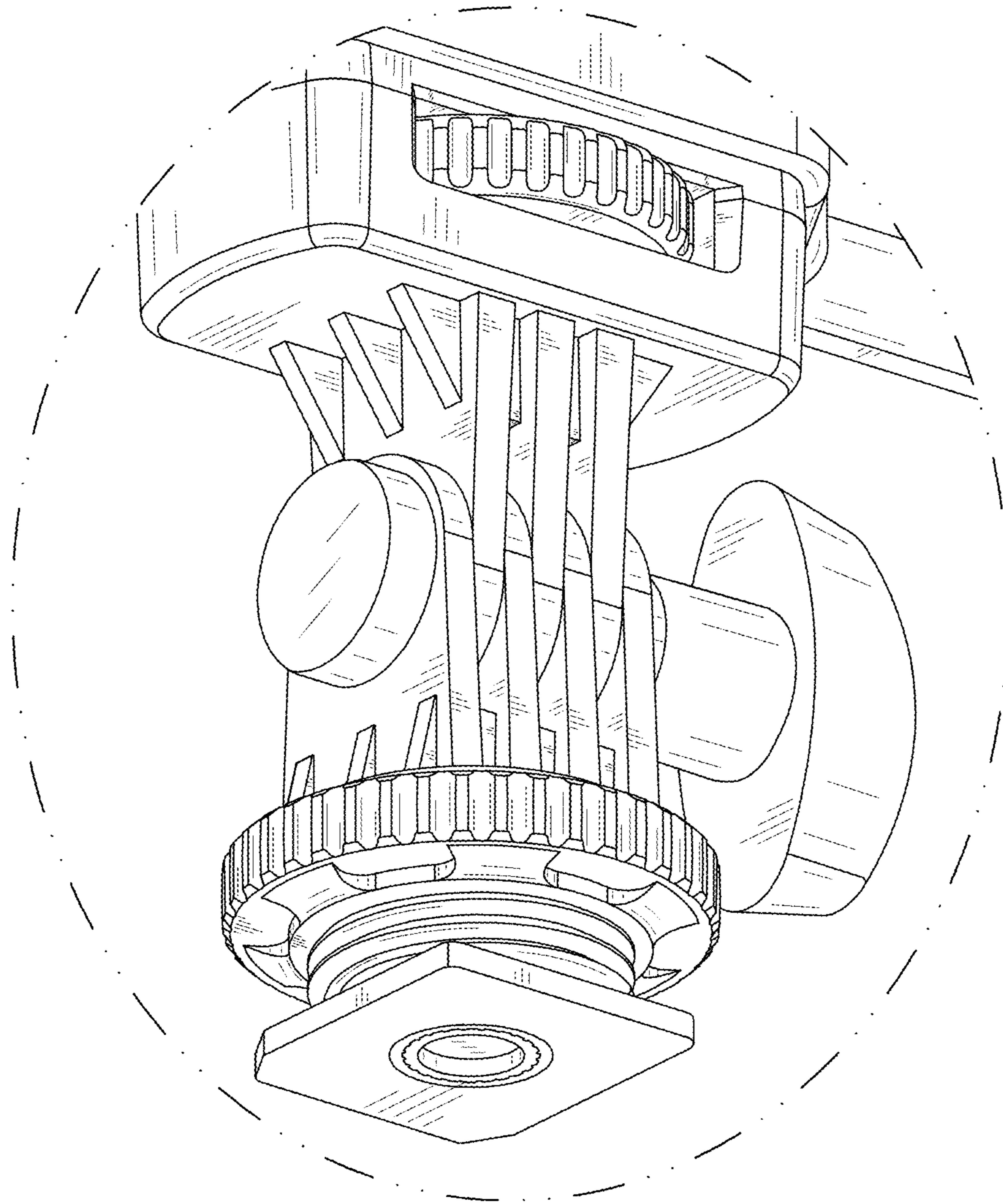


FIG.10