



US00D973123S

(12) **United States Design Patent** (10) **Patent No.:** **US D973,123 S**
Thorne et al. (45) **Date of Patent:** **** Dec. 20, 2022**

(54) **CAMERA HOUSING**

FOREIGN PATENT DOCUMENTS

(71) Applicant: **SimpliSafe, Inc.**, Boston, MA (US)
(72) Inventors: **Scott Joseph Thorne**, Cambridge, MA (US); **Dirk Ahlgrim**, Boston, MA (US); **Rebecca Petersen**, Medford, MA (US)

CA 169412 * 12/2018
CN 304488619 * 2/2018

(Continued)

(73) Assignee: **SimpliSafe, Inc.**, Boston, MA (US)

(**) Term: **15 Years**

(21) Appl. No.: **29/735,026**

(22) Filed: **May 18, 2020**

(51) **LOC (13) Cl.** **16-01**

(52) **U.S. Cl.**
USPC **D16/219**

(58) **Field of Classification Search**
USPC D16/200, 202, 203, 214, 219;
D10/106.2, 106.5, 118.1, 229.2, 109.1;
D14/203.1, 204, 317, 209.1, 474, 496
CPC .. H04N 2101/00; H04N 1/00005; H04N 7/18;
G03B 17/02; G03B 19/04; G03B 17/56
See application file for complete search history.

OTHER PUBLICATIONS

Lowes Eufy Security Camera, earliest pictured review Feb. 18, 2022, [online], [site visited Jul. 7, 2022]. Available from Internet, <URL: <https://www.lowes.com/pd/eufy-Security-Outdoor-Cam-2k-Spotlight-Wired-White/5005455415> > (Year: 2022).*

(Continued)

Primary Examiner — Michelle E. Wilson
Assistant Examiner — Breana Copeland
(74) *Attorney, Agent, or Firm* — Wolf, Greenfield & Sacks, P.C.

(57) **CLAIM**

The ornamental design for a camera housing, as shown and described.

DESCRIPTION

FIG. 1 is a lower, front, left perspective view of a camera housing;
FIG. 2 is a lower, rear, left perspective view thereof;
FIG. 3 is a front view thereof;
FIG. 4 is a rear view thereof;
FIG. 5 is a left side view thereof;
FIG. 6 is a right side view thereof;
FIG. 7 is a top view thereof; and
FIG. 8 is a bottom view thereof;
FIG. 9 is an upper, front, right, exploded perspective view thereof; and,
FIG. 10 is a lower, rear, right, exploded perspective view thereof.

Features shown in dashed lines in the drawings are included for the purpose of illustrating unclaimed portions of the camera housing and form no part of the claimed design.

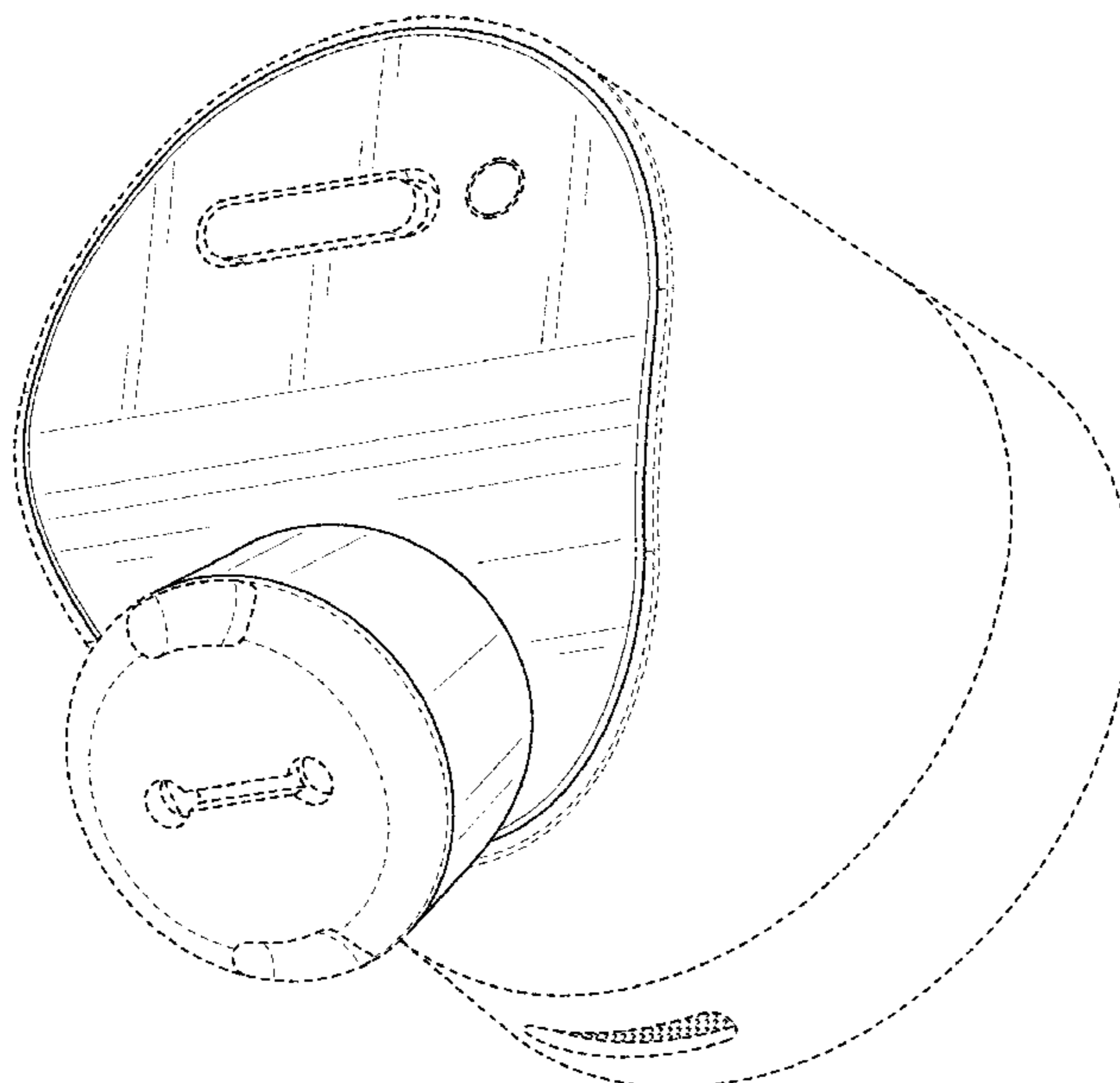
(56) **References Cited**

U.S. PATENT DOCUMENTS

D349,714 S 8/1994 Hasegawa
D500,511 S 1/2005 Sybilrad
D562,869 S * 2/2008 Asai D16/203
D589,995 S * 4/2009 Kellar D16/242
D624,577 S 9/2010 Kujawski et al.
D659,871 S 5/2012 Lee et al.
D797,176 S 9/2017 Lin et al.
D820,896 S * 6/2018 Novak D16/203
D832,329 S 10/2018 Li

(Continued)

1 Claim, 10 Drawing Sheets



(56)

References Cited

U.S. PATENT DOCUMENTS

D843,431 S * 3/2019 Jacob D16/203
D924,301 S * 7/2021 Tseng D16/203
D943,017 S * 2/2022 Aggarwal D16/208
2021/0356104 A1 * 11/2021 Thorne F21L 4/04

FOREIGN PATENT DOCUMENTS

CN 306513214 * 5/2021
EM 008620892-0001 * 2/2022
GB 6128823 * 4/2021

OTHER PUBLICATIONS

Nooie Outdoor Camera, earliest pictured review Sep. 16, 2019, [online], [site visited Jul. 7, 2022]. Available from Internet, <URL:https://nooie.com/products/nooie-cam-outdoor> (Year: 2020).*

Amazon Google Nest Camera, earliest pictured review Dec. 1, 2017, [online], [site visited Jul. 7, 2022]. Available from Internet, <URL: https://a.co/d/3dUoBvA > (Year: 2017).*

Google Image Search: Outdoor Mounted Camera, [online], [site visited Jul. 7, 2022]. Available from Internet, <URL: https://www.google.com/search?q=wireless+outdoor+security+cameras&source=lnms&tbm=isch&sa=X&ved=2ahUKEwiN14yeief4AhVsEFkFHQJQD5UQ_AUoA3oECAEQBQ&biw=1920&bih=937&dpr=1> (Year: 2022).*

* cited by examiner

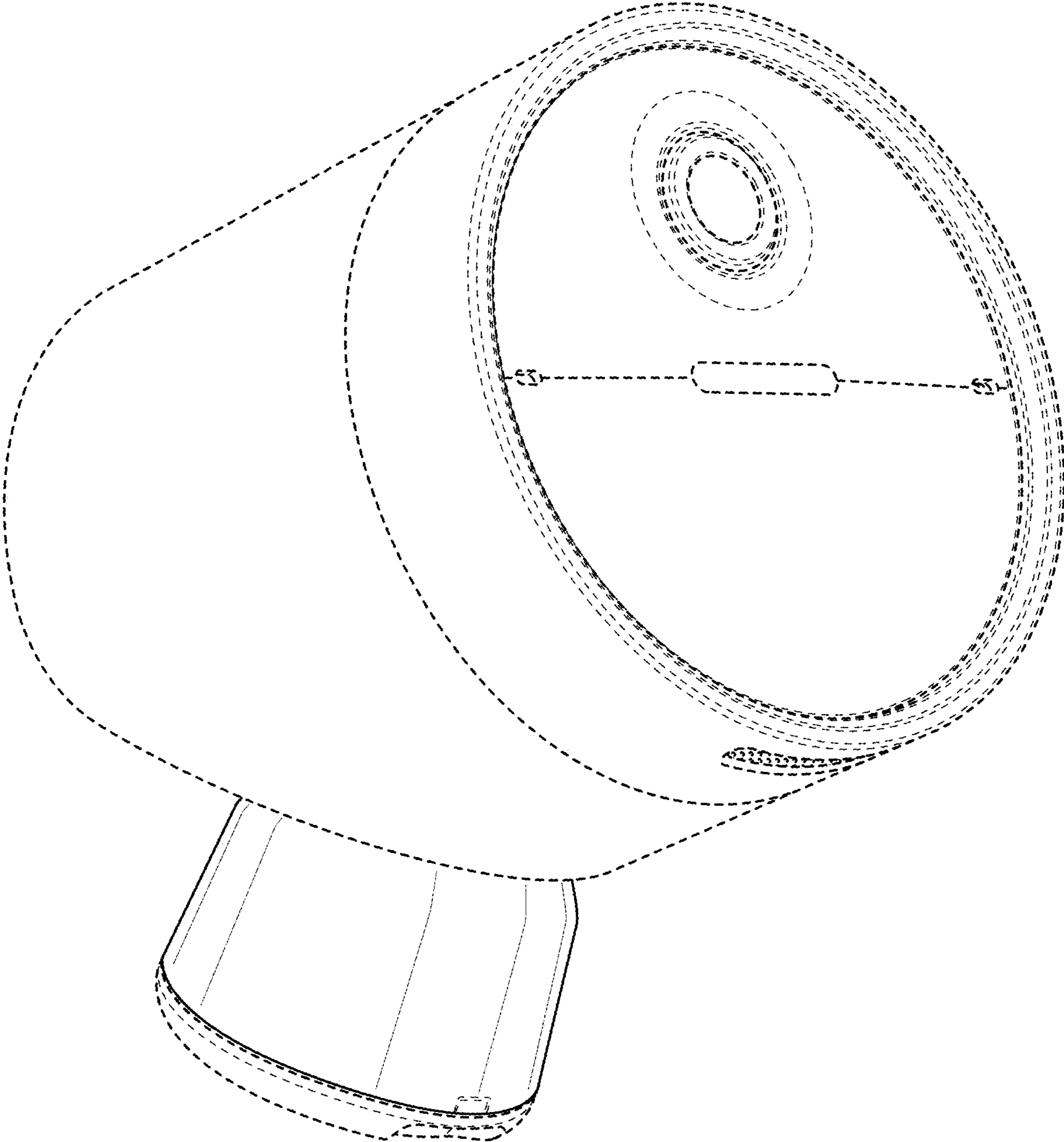


FIG. 1

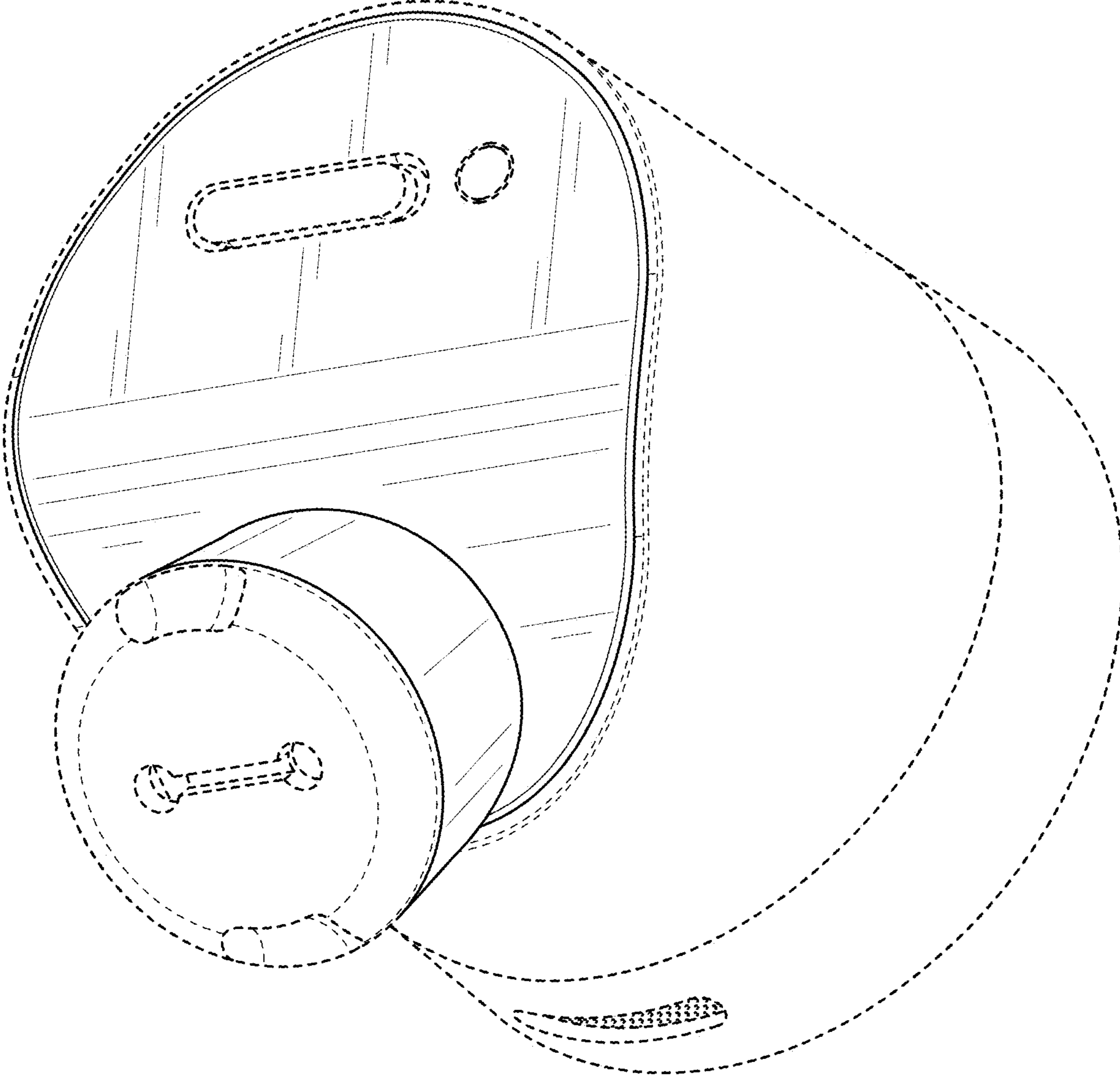


FIG. 2

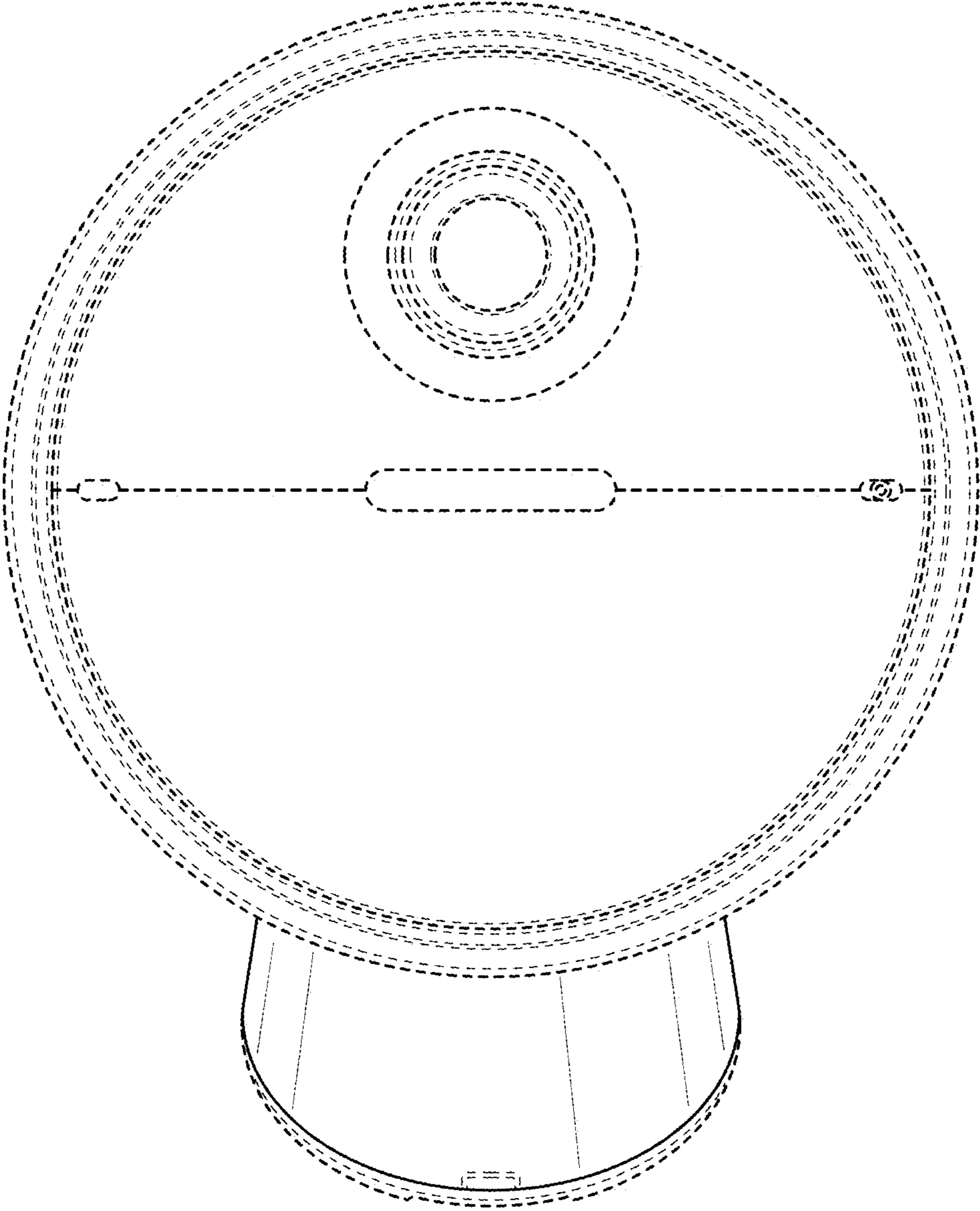


FIG. 3

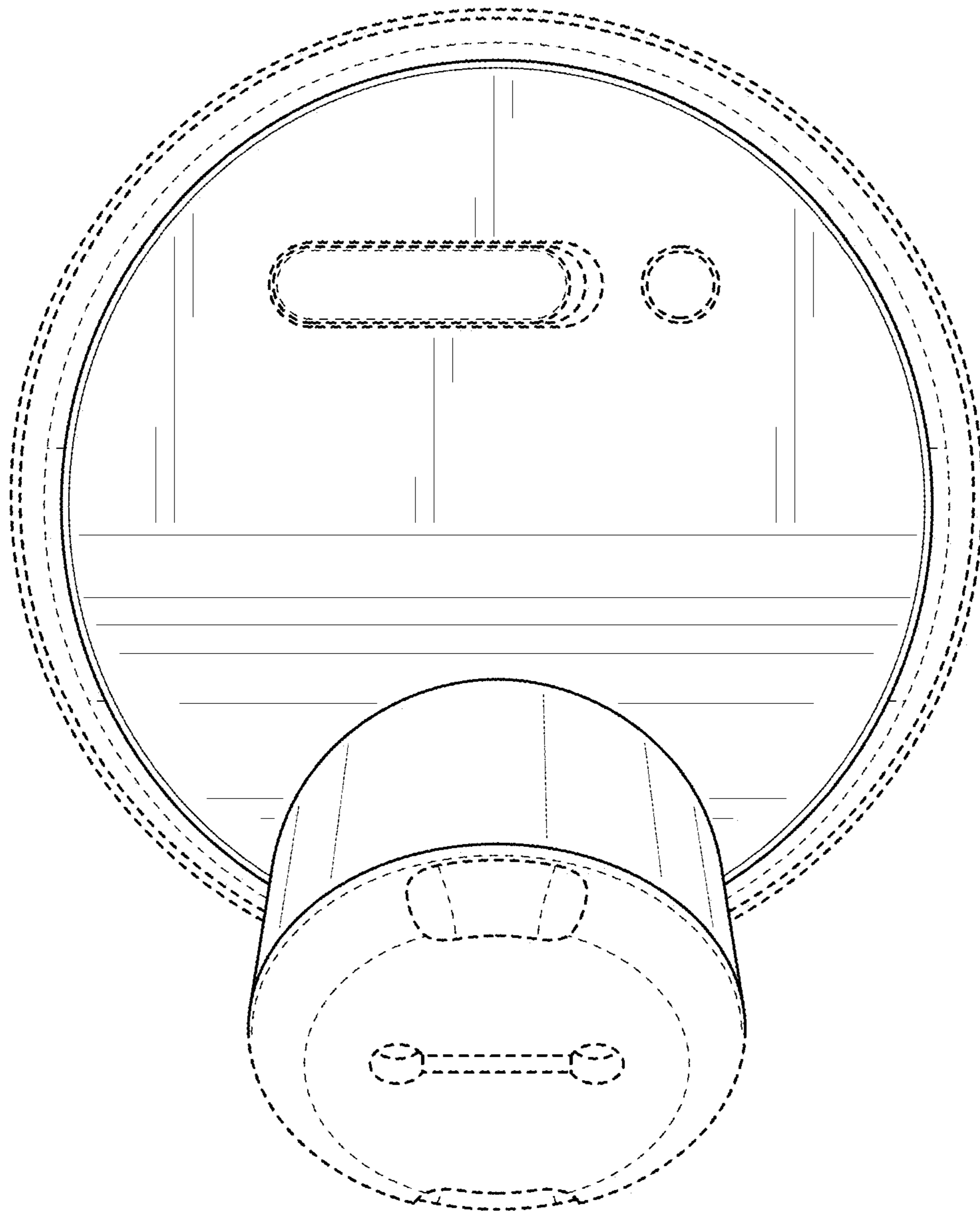


FIG. 4

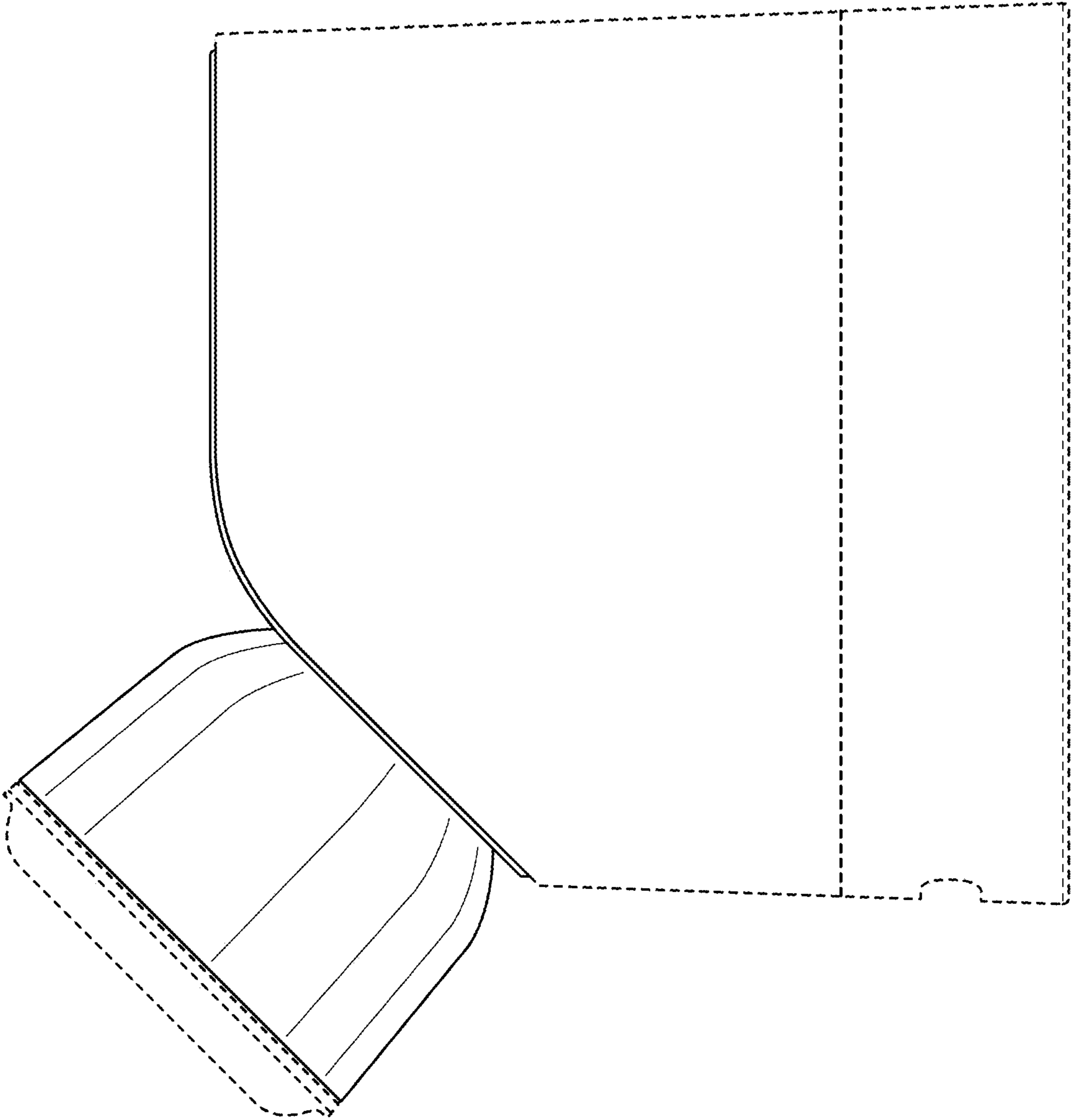


FIG. 5

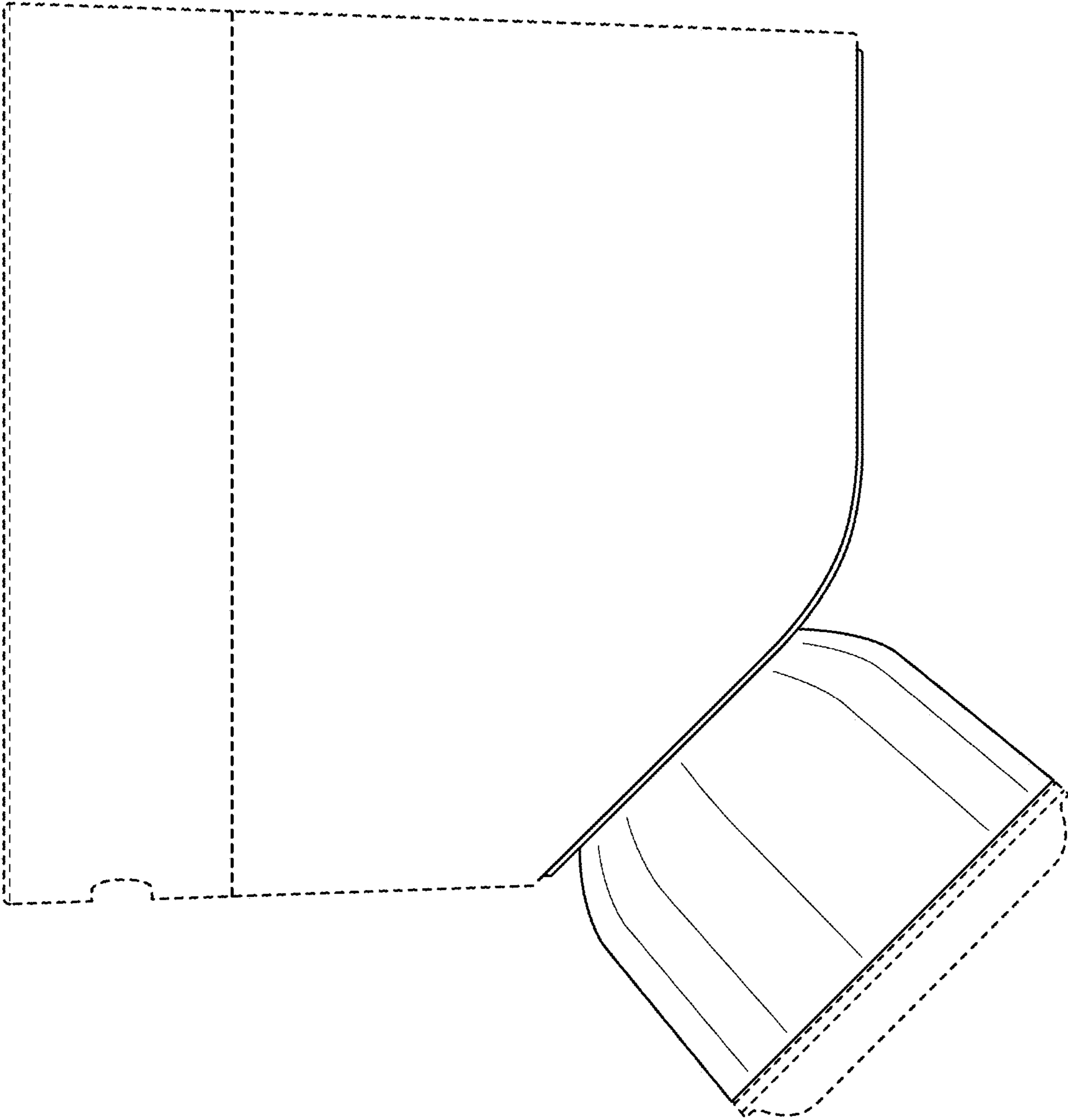


FIG. 6

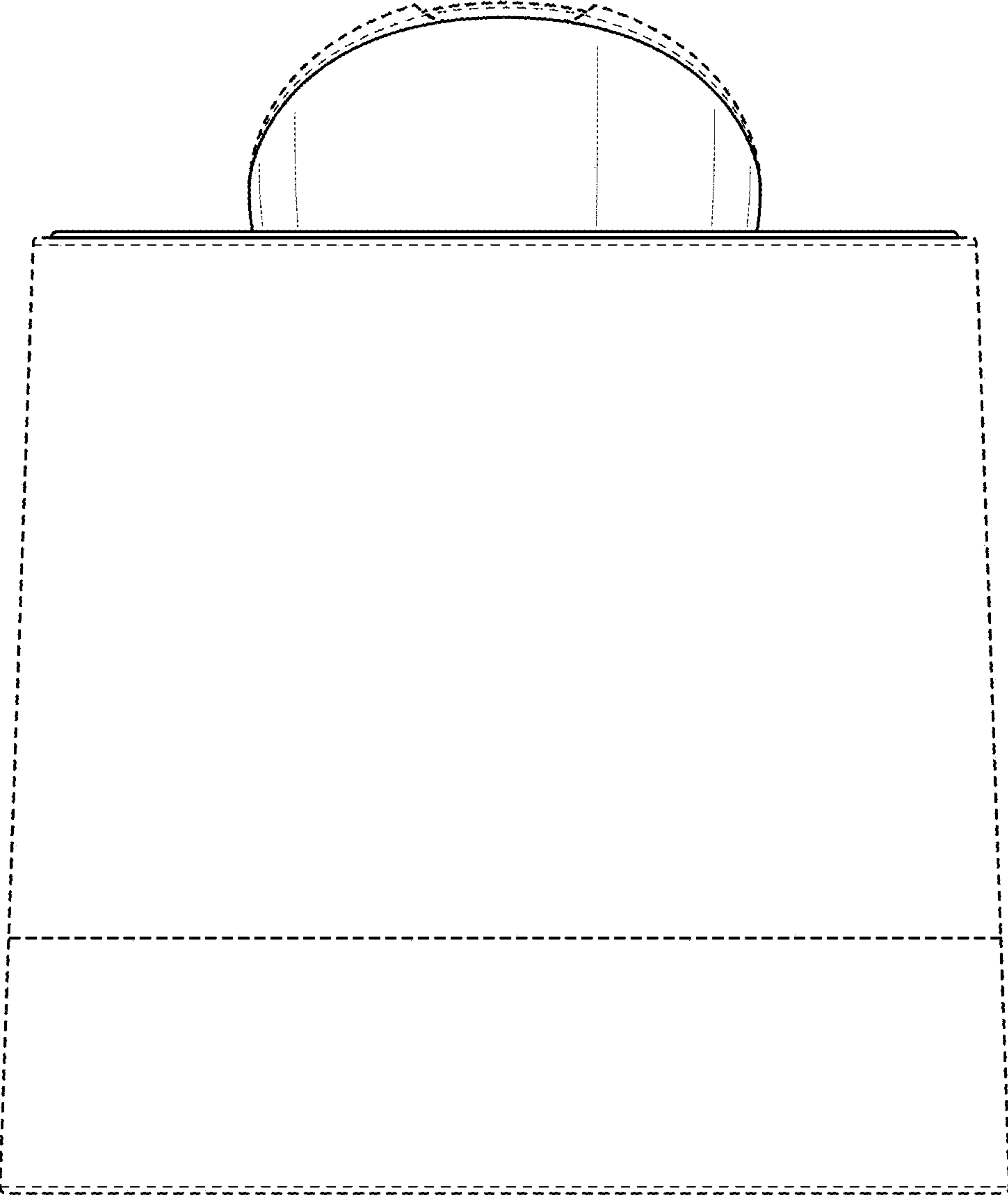


FIG. 7

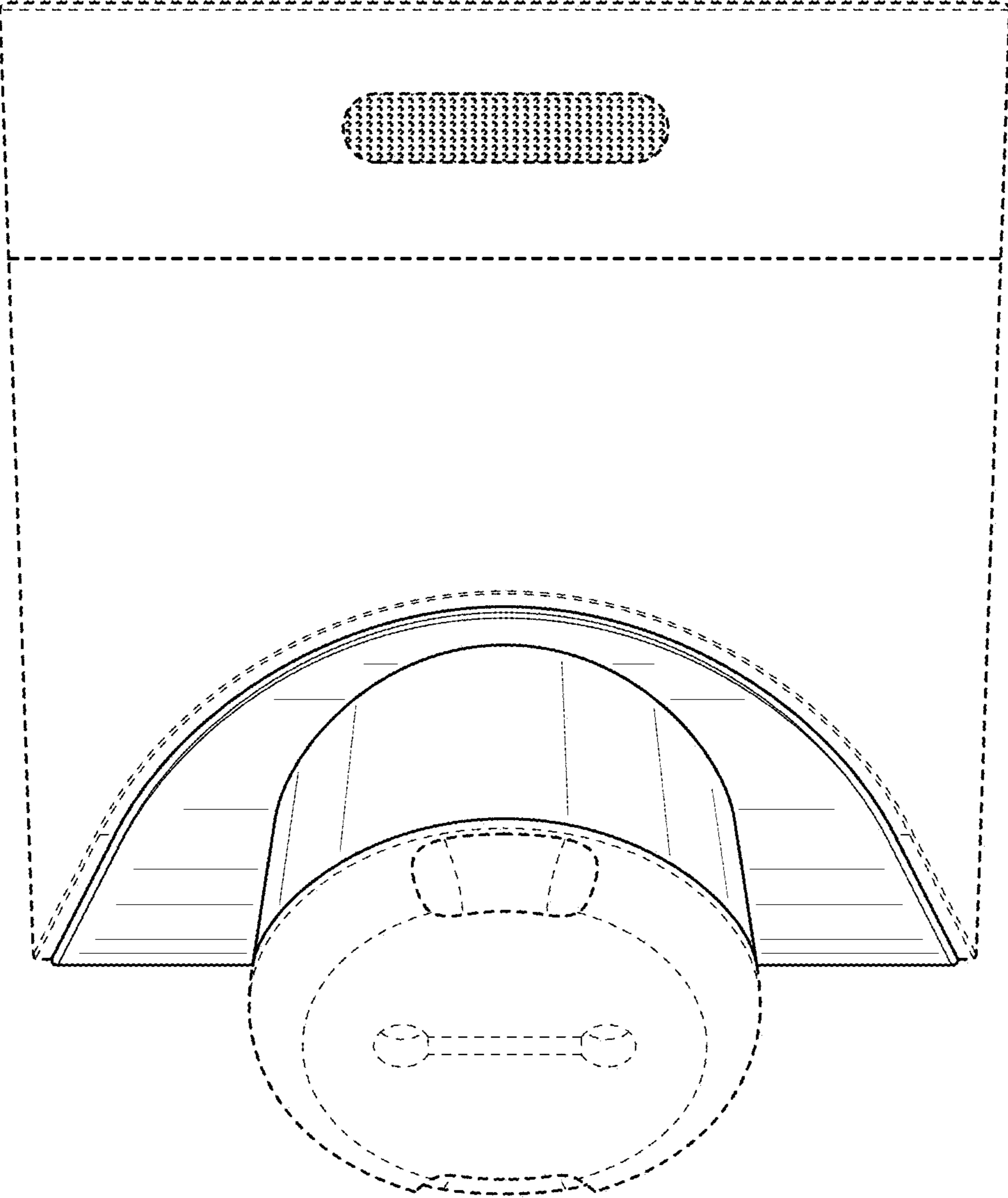


FIG. 8

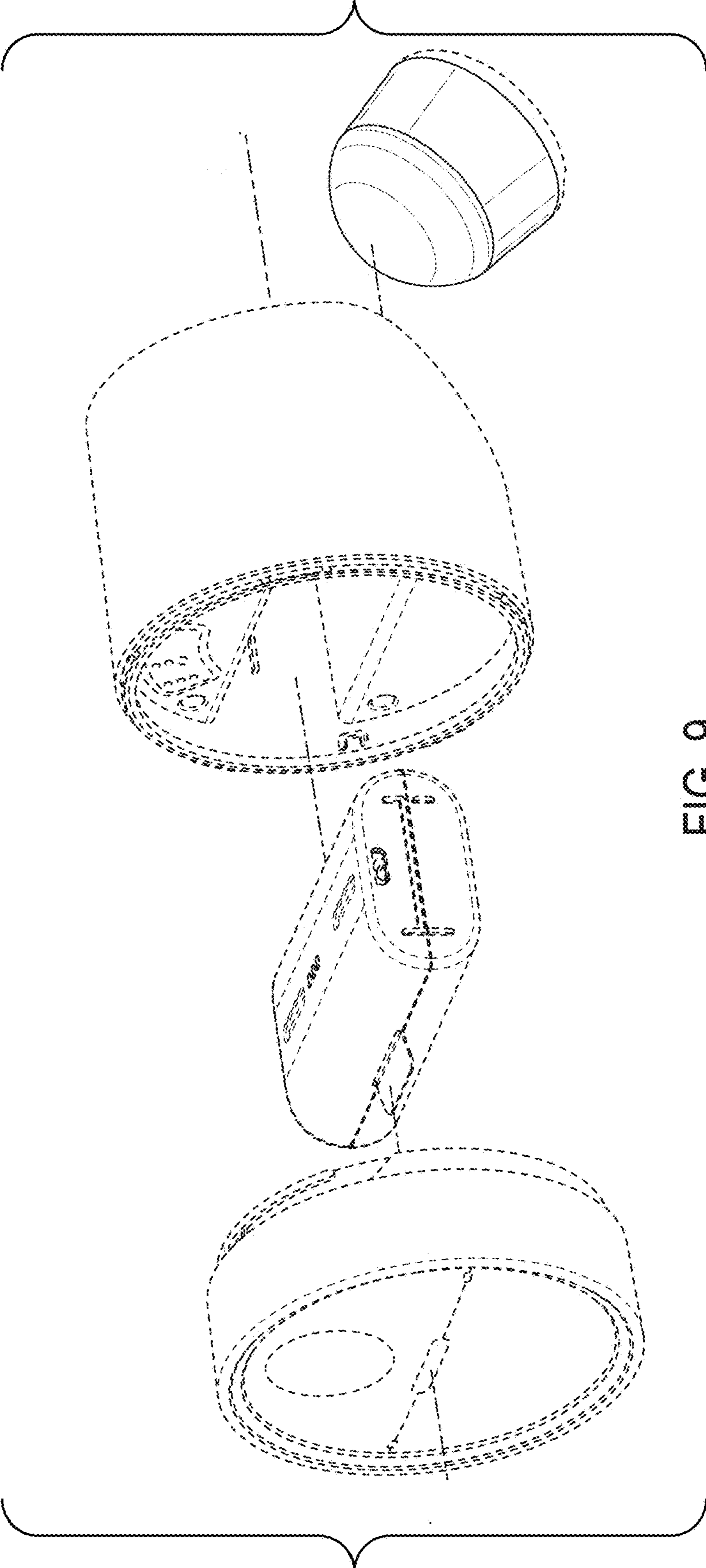


FIG. 9

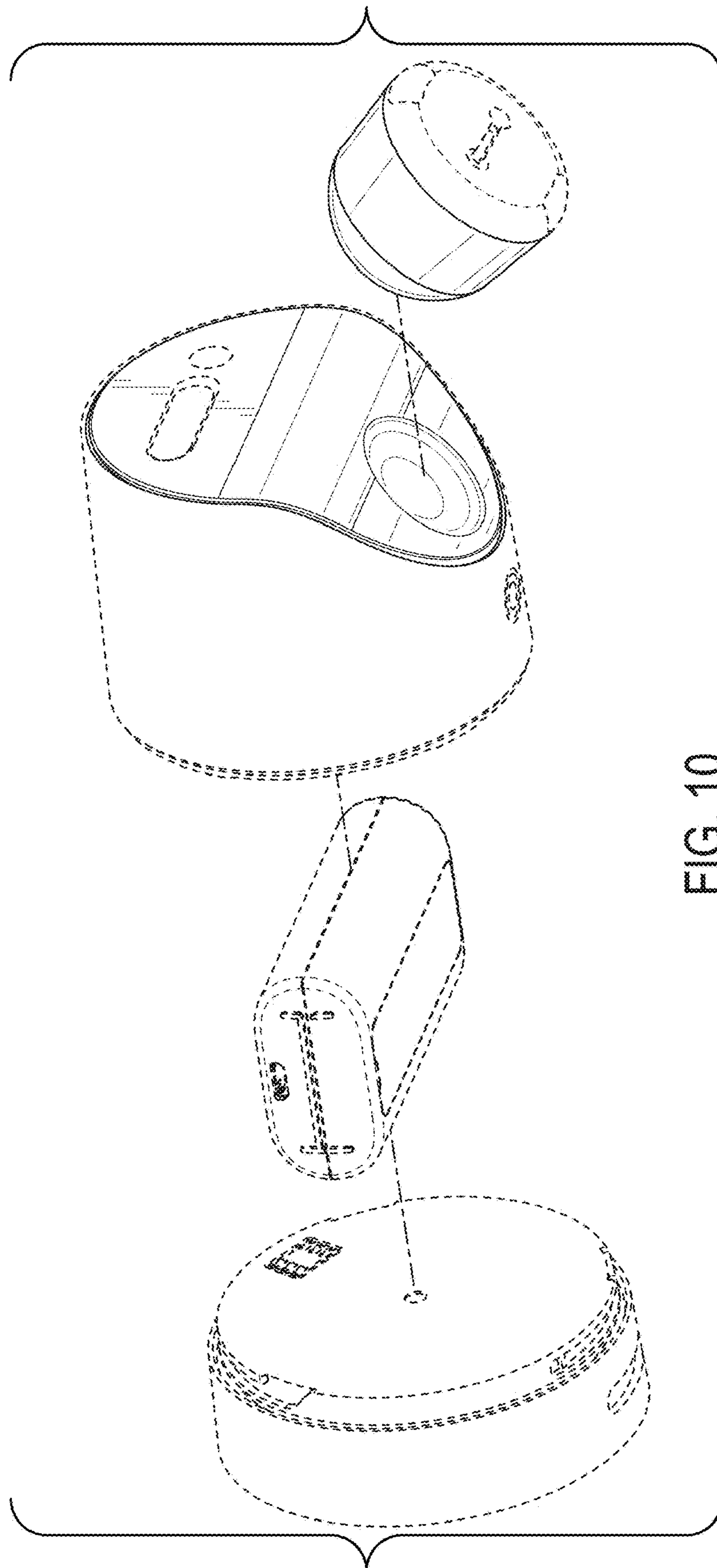


FIG. 10