



US00D973122S

(12) **United States Design Patent**
Ding

(10) **Patent No.:** **US D973,122 S**

(45) **Date of Patent:** **** Dec. 20, 2022**

(54) **LIVE CAMERA**

(71) Applicant: **Shenzhen Dinghuixin Technology Co., Ltd.**, Shenzhen (CN)

(72) Inventor: **Hui Ding**, Ji'an (CN)

(73) Assignee: **Shenzhen Dinghuixin Technology Co., Ltd.**, Shenzhen (CN)

(**) Term: **15 Years**

(21) Appl. No.: **29/807,432**

(22) Filed: **Sep. 10, 2021**

(51) **LOC (13) Cl.** **16-01**

(52) **U.S. Cl.**
USPC **D16/218**

(58) **Field of Classification Search**
USPC D16/200–208, 218, 219
CPC G03B 15/03; G03B 17/02; G03B 17/04;
G03B 17/48; G03B 17/56; G03B 19/04;
H04N 5/2251; H04N 5/2252; H04N
5/2253; H04N 5/2254
See application file for complete search history.

(56) **References Cited**

U.S. PATENT DOCUMENTS

D741,932 S	*	10/2015	Huang	D16/202
D794,694 S	*	8/2017	Liu	D16/203
D863,404 S	*	10/2019	Karpenko	D16/218
D867,427 S	*	11/2019	Bai	D16/202
D879,175 S	*	3/2020	Matsumoto	D16/202
D879,178 S	*	3/2020	Tang	D16/218

D894,994 S	*	9/2020	Yu	D16/218
D896,863 S	*	9/2020	Tu	D16/203
D897,399 S	*	9/2020	Wang	D16/218
D899,482 S	*	10/2020	Li	D10/118.2
D906,398 S	*	12/2020	Wang	D16/208
D906,399 S	*	12/2020	Wang	D16/218
D947,924 S	*	4/2022	Zheng	D16/208

* cited by examiner

Primary Examiner — Ramzi Almatrahi

(74) *Attorney, Agent, or Firm* — True Shepherd, LLC;
Andrew Cheng

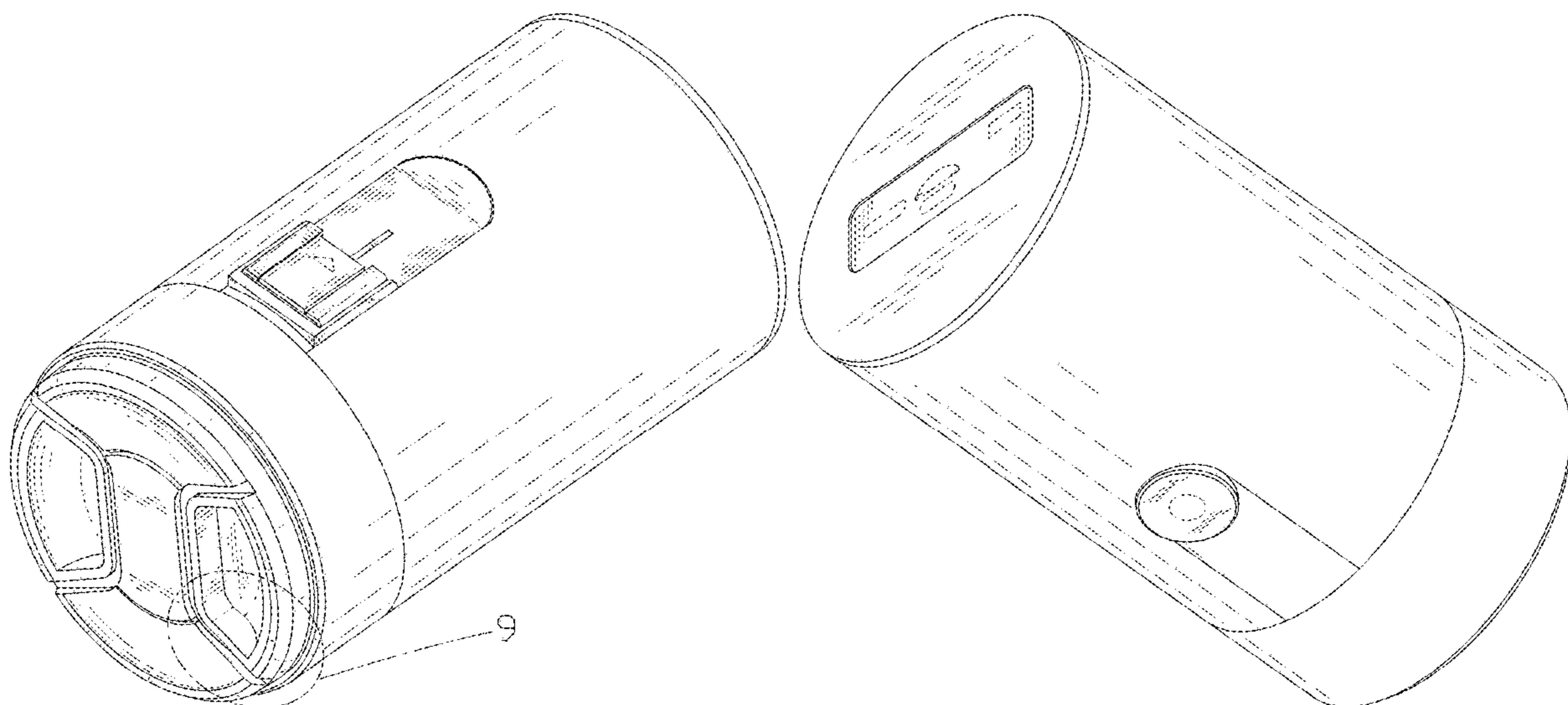
(57) **CLAIM**

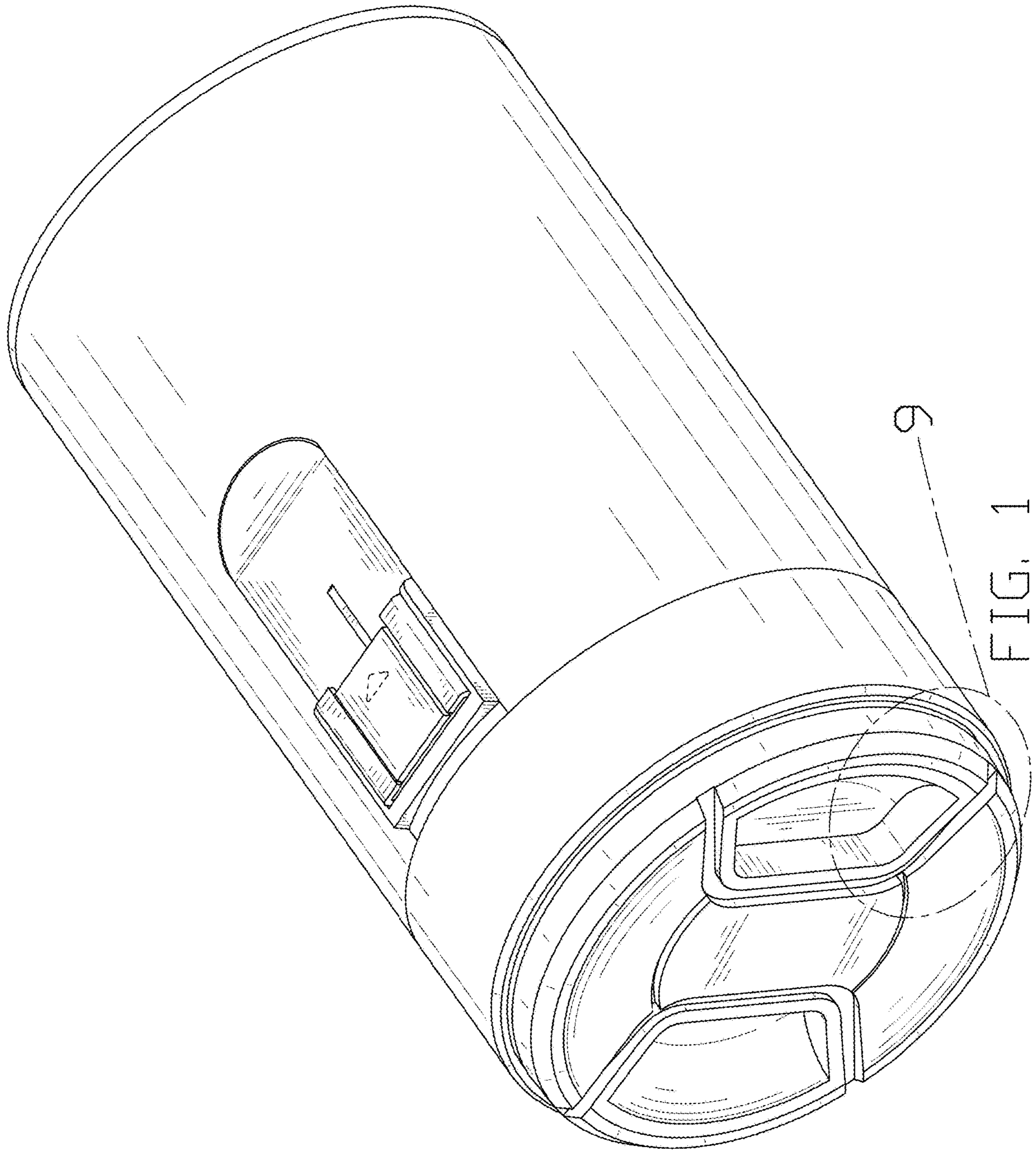
The ornamental design for a live camera, as shown and described.

DESCRIPTION

FIG. 1 is a top, front and right side perspective view of a live camera showing my new design;
FIG. 2 is a bottom, rear and left side perspective view thereof;
FIG. 3 is a front elevation view thereof;
FIG. 4 is a rear elevation view thereof;
FIG. 5 is a left side elevation view thereof;
FIG. 6 is a right side elevation view thereof;
FIG. 7 is a top plan view thereof;
FIG. 8 is a bottom plan view thereof; and,
FIG. 9 is an enlarged view of portion 9 shown in FIG. 1.
The broken lines depict portions of the live camera in which the design is embodied that form no part of the claimed design. The dot-dash broken lines encircling an enlargement portion of the design forms no part of the claimed design.

1 Claim, 9 Drawing Sheets





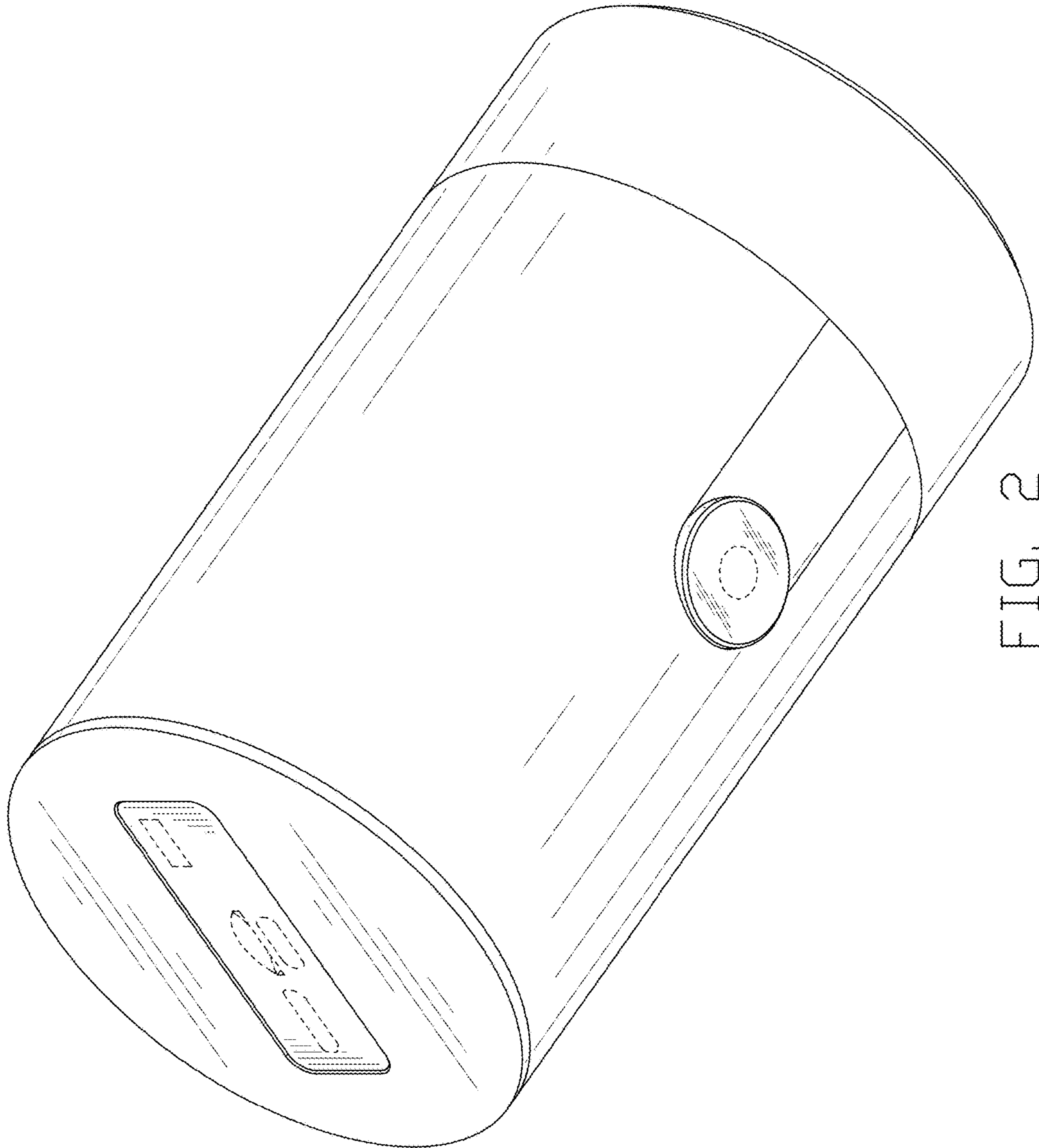


FIG. 2

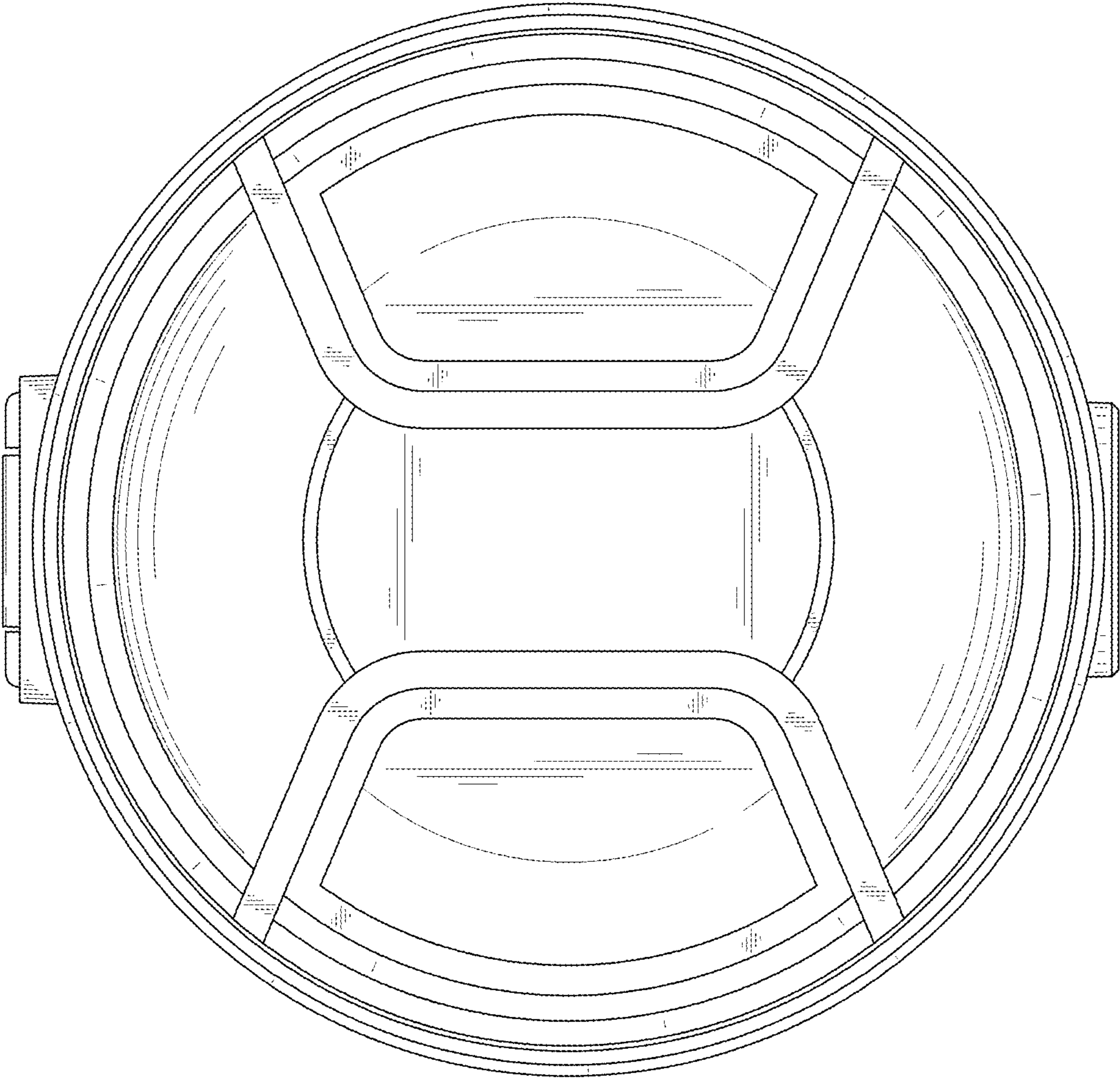


FIG. 3

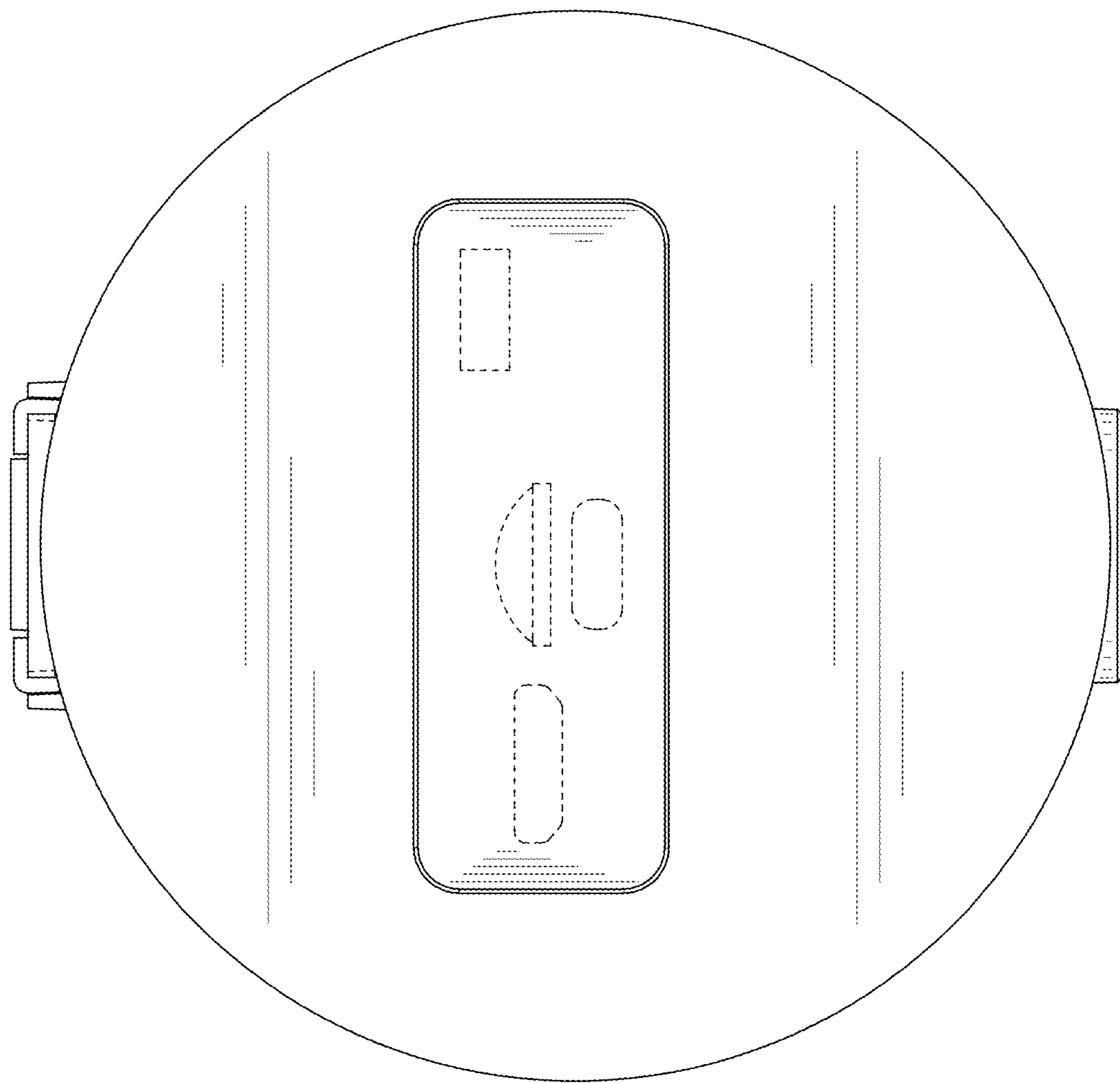


FIG. 4



FIG. 5

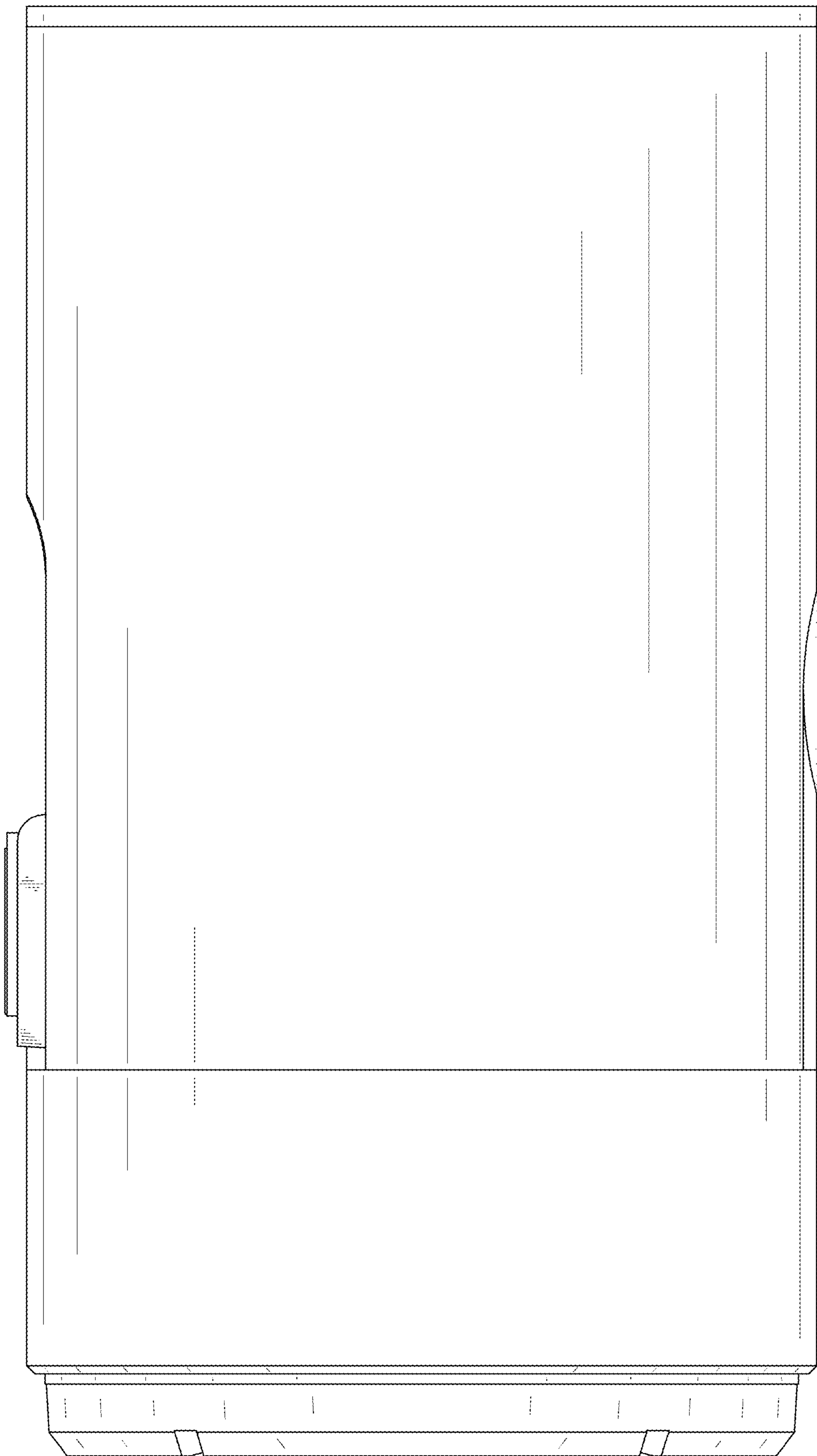


FIG. 6

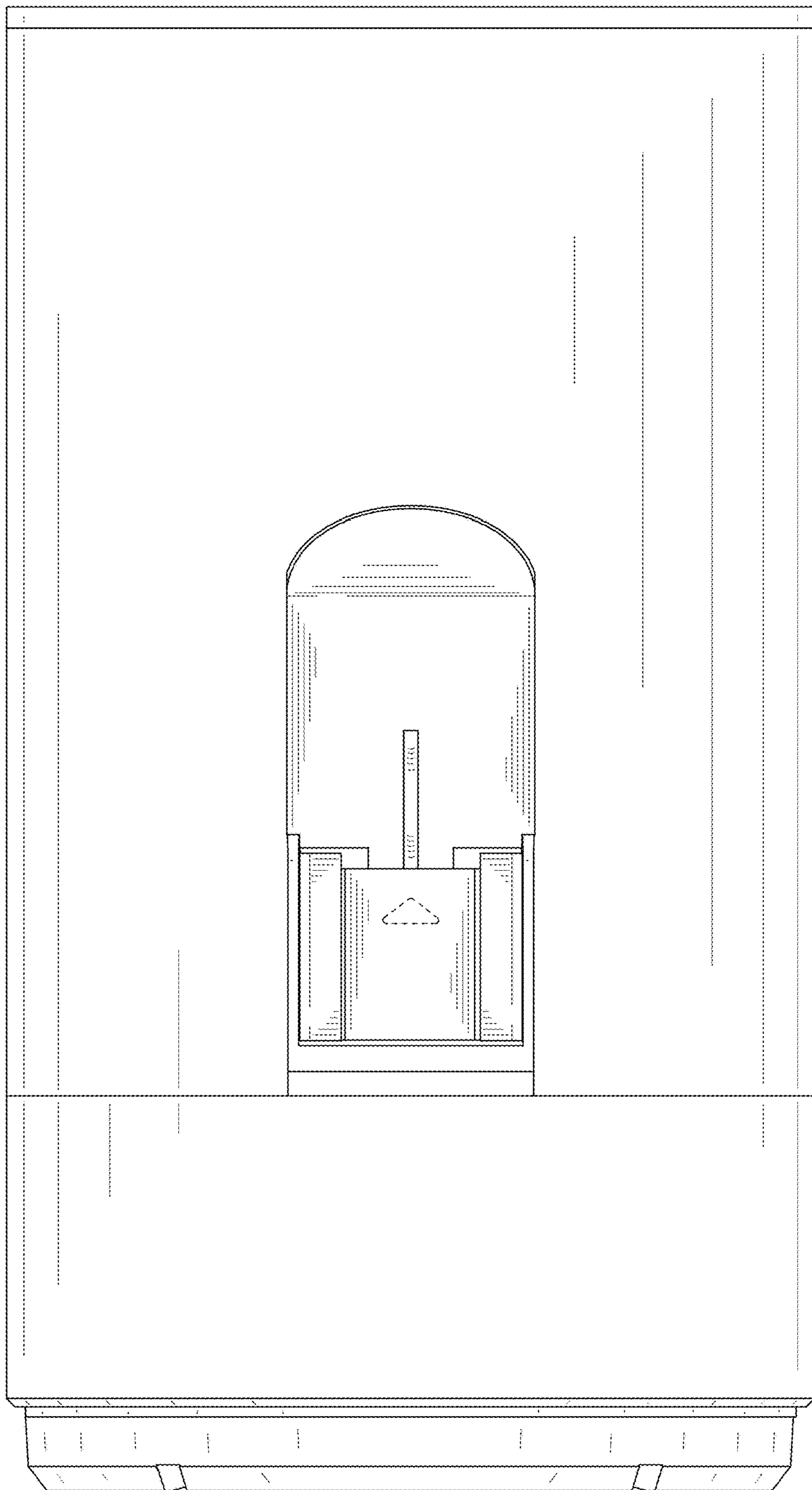


FIG. 7

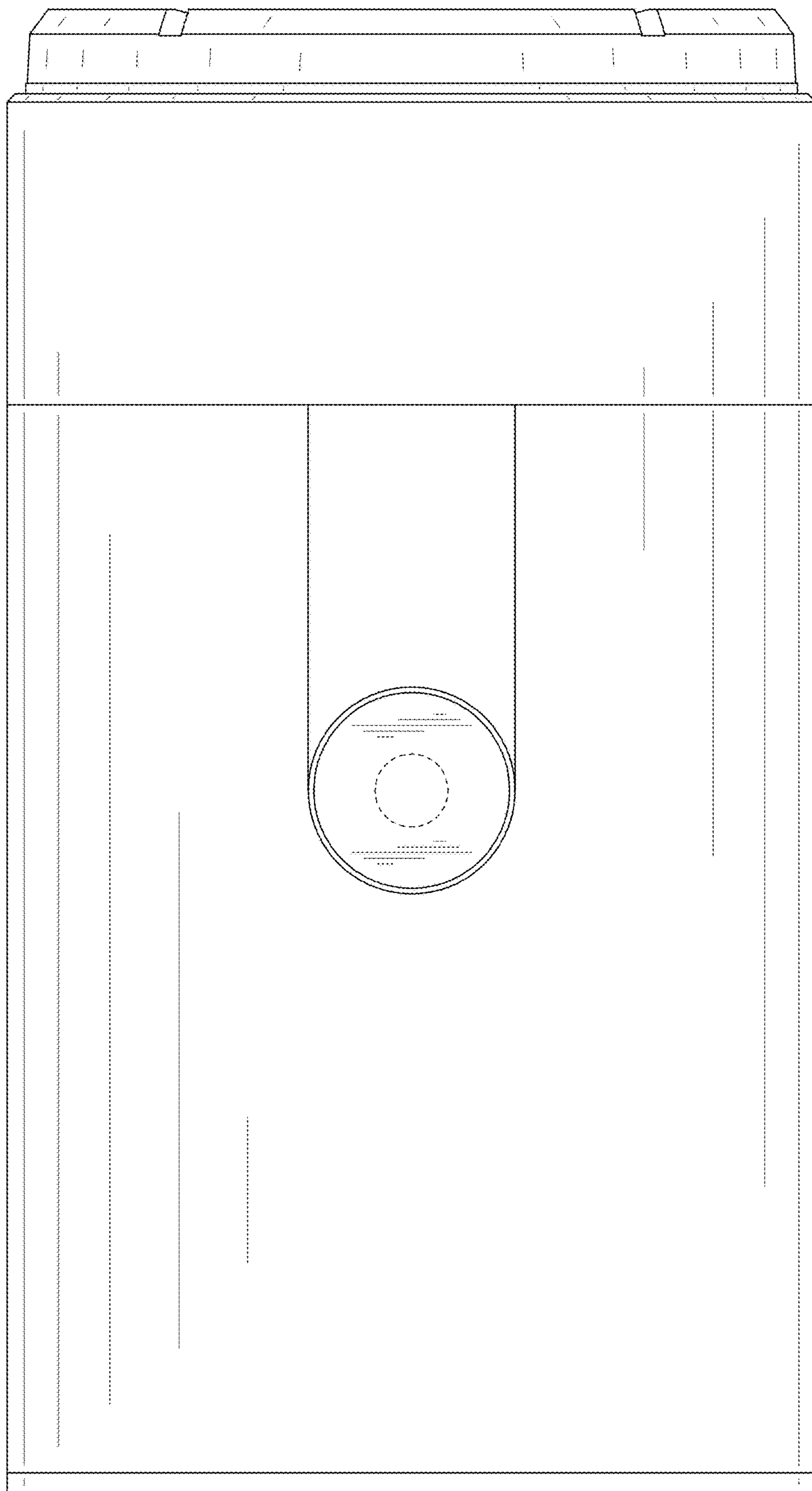


FIG. 8

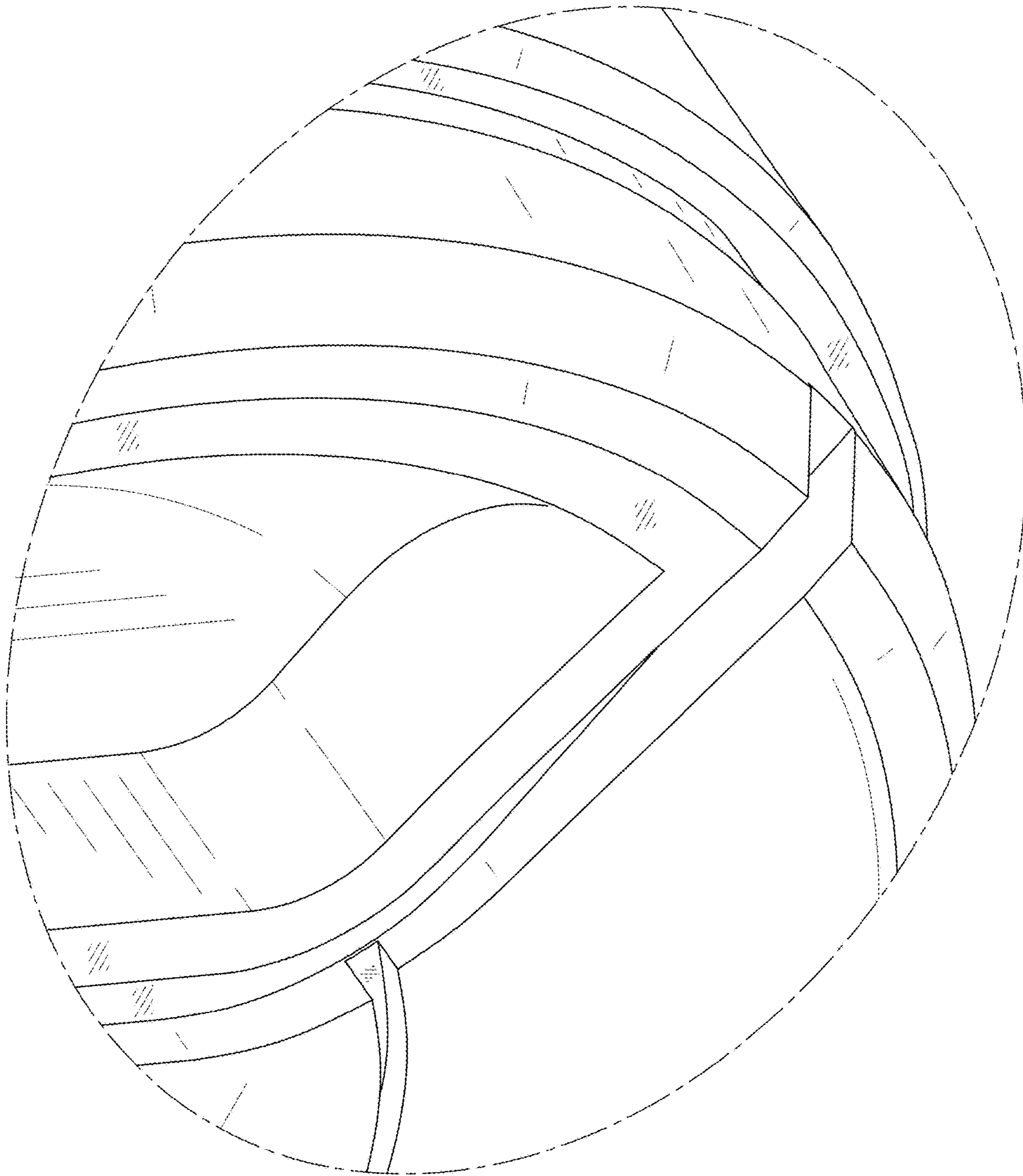


FIG. 9